



US00D581021S

(12) **United States Design Patent**
Gilbert

(10) **Patent No.:** **US D581,021 S**

(45) **Date of Patent:** **** Nov. 18, 2008**

(54) **HANDLE**

(75) **Inventor:** **Christopher Jon Gilbert**, Moreland Hills, OH (US)

(73) **Assignee:** **Moen Incorporated**, North Olmsted, OH (US)

(**) **Term:** **14 Years**

(21) **Appl. No.:** **29/291,955**

(22) **Filed:** **Sep. 21, 2007**

(51) **LOC (8) Cl.** **23-01**

(52) **U.S. Cl.** **D23/250**

(58) **Field of Classification Search** D23/250,
D23/249, 252, 254, 238, 242; D8/300, 307,
D8/308; 4/675-677; 16/110.1
See application file for complete search history.

(56) **References Cited**

U.S. PATENT DOCUMENTS

D219,781 S	1/1971	Niemann	
D265,229 S	6/1982	Paul	
D279,213 S	6/1985	Paul	
D290,871 S	7/1987	Paul	
D323,021 S *	1/1992	Kohler et al.	D23/252
D324,416 S	3/1992	Stairs, Jr. et al.	
D347,268 S *	5/1994	Paul	D23/252
D351,455 S	10/1994	Paul	

D512,488 S	12/2005	Kulig	
D515,671 S	2/2006	Toyohara	
D523,532 S	6/2006	Schaffeld et al.	
D523,932 S	6/2006	Schaffeld et al.	
D529,141 S *	9/2006	Green	D23/252
D531,483 S *	11/2006	Kosasih	D8/308
D560,464 S *	1/2008	Rexach	D8/308
D562,437 S *	2/2008	Jaeb	D23/252

* cited by examiner

Primary Examiner—Robin V Webster

(74) *Attorney, Agent, or Firm*—Calfee, Halter & Griswold LLP

(57) **CLAIM**

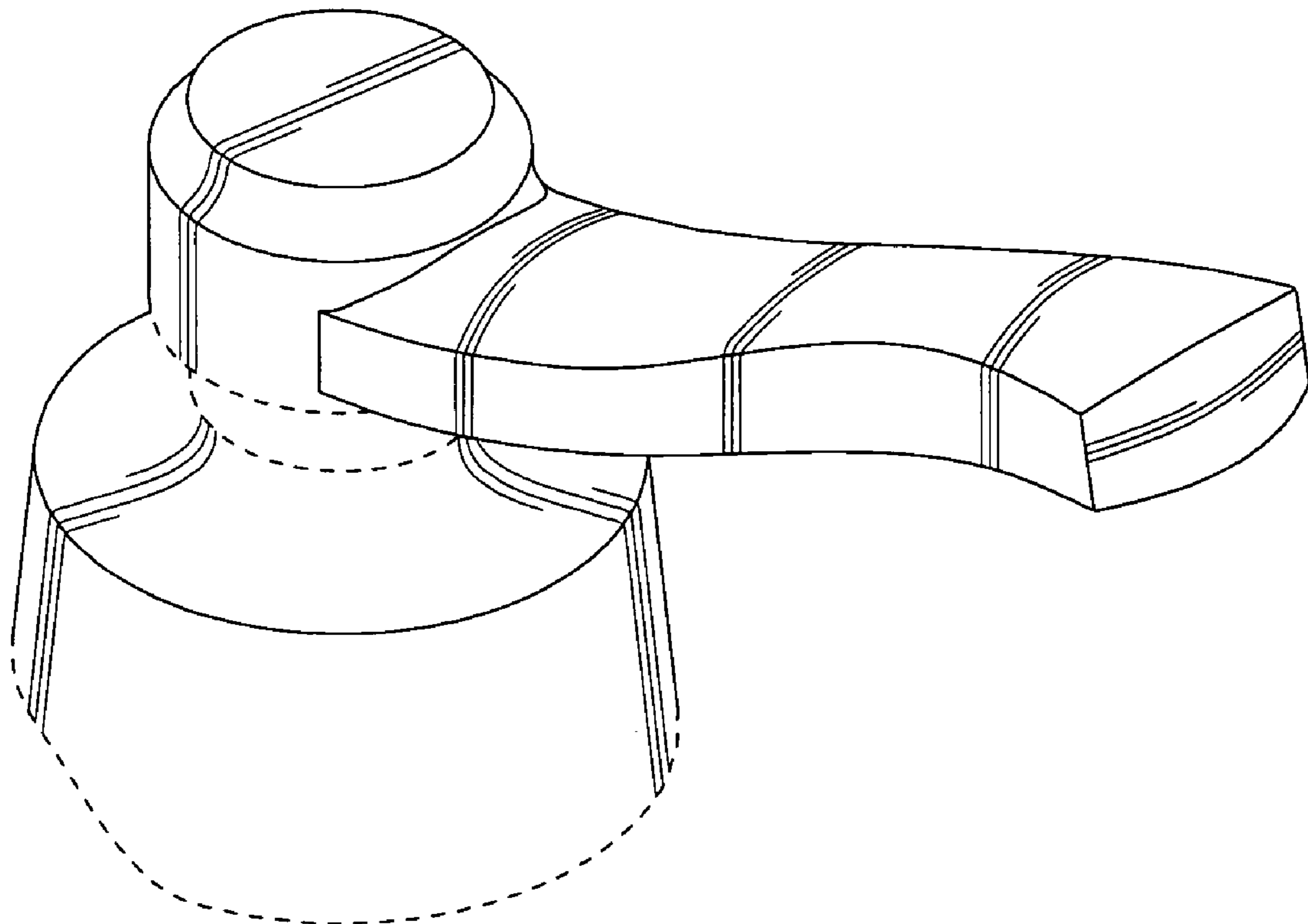
The ornamental design for a handle, as shown and described.

DESCRIPTION

FIG. 1 is a perspective view of a handle of the new design; FIG. 2 is a front elevational view of the handle of FIG. 1; FIG. 3 is a rear elevational view of the handle of FIG. 1; FIG. 4 is a left side elevational view of the handle of FIG. 1, the right side elevational view being a mirror image; FIG. 5 is a top plan view of the handle of FIG. 1; and, FIG. 6 is a bottom plan view of the handle of FIG. 1.

The portions of the Figures shown in broken lines are not part of the claimed design and are for illustration only.

1 Claim, 3 Drawing Sheets



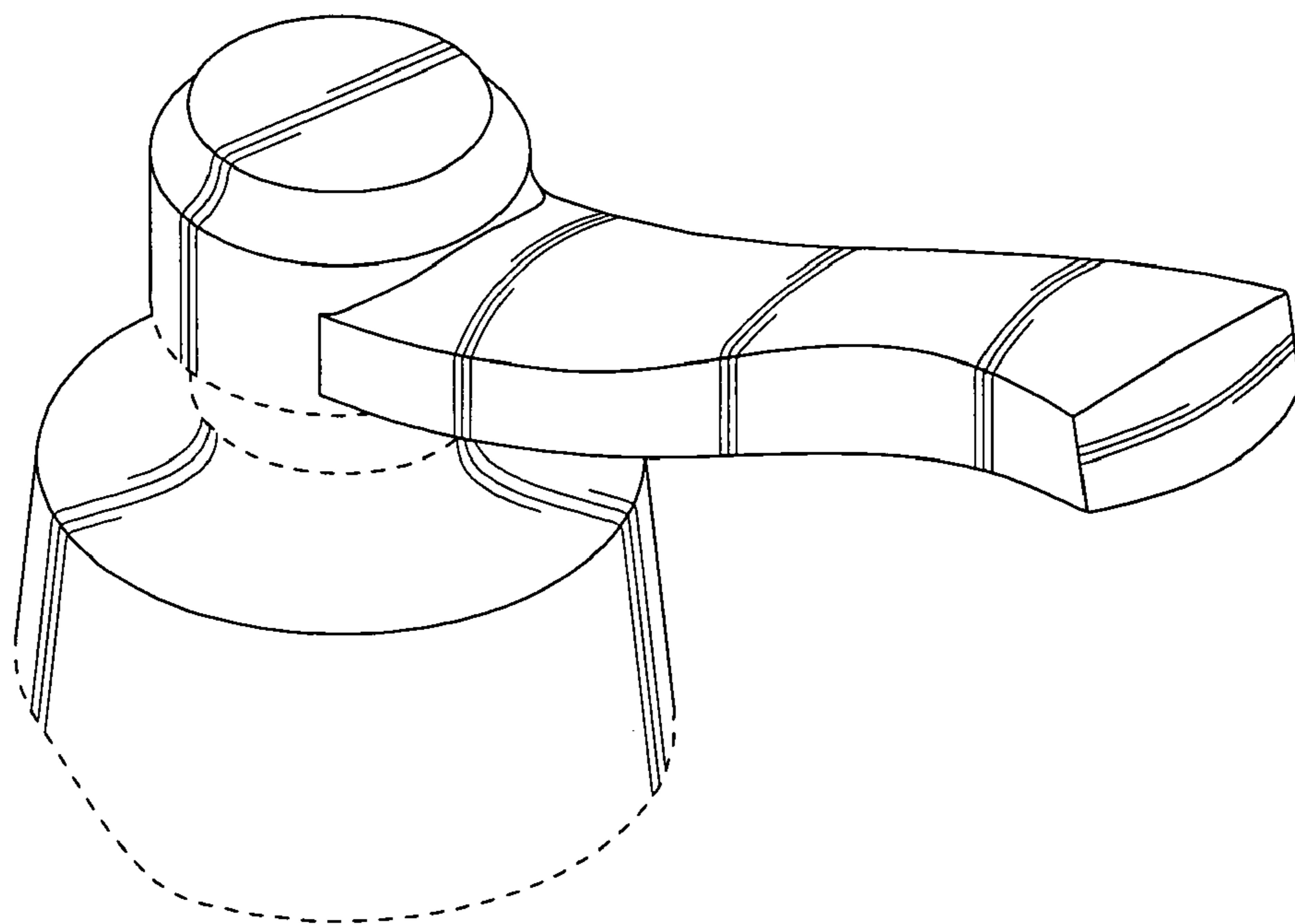


FIG. 1

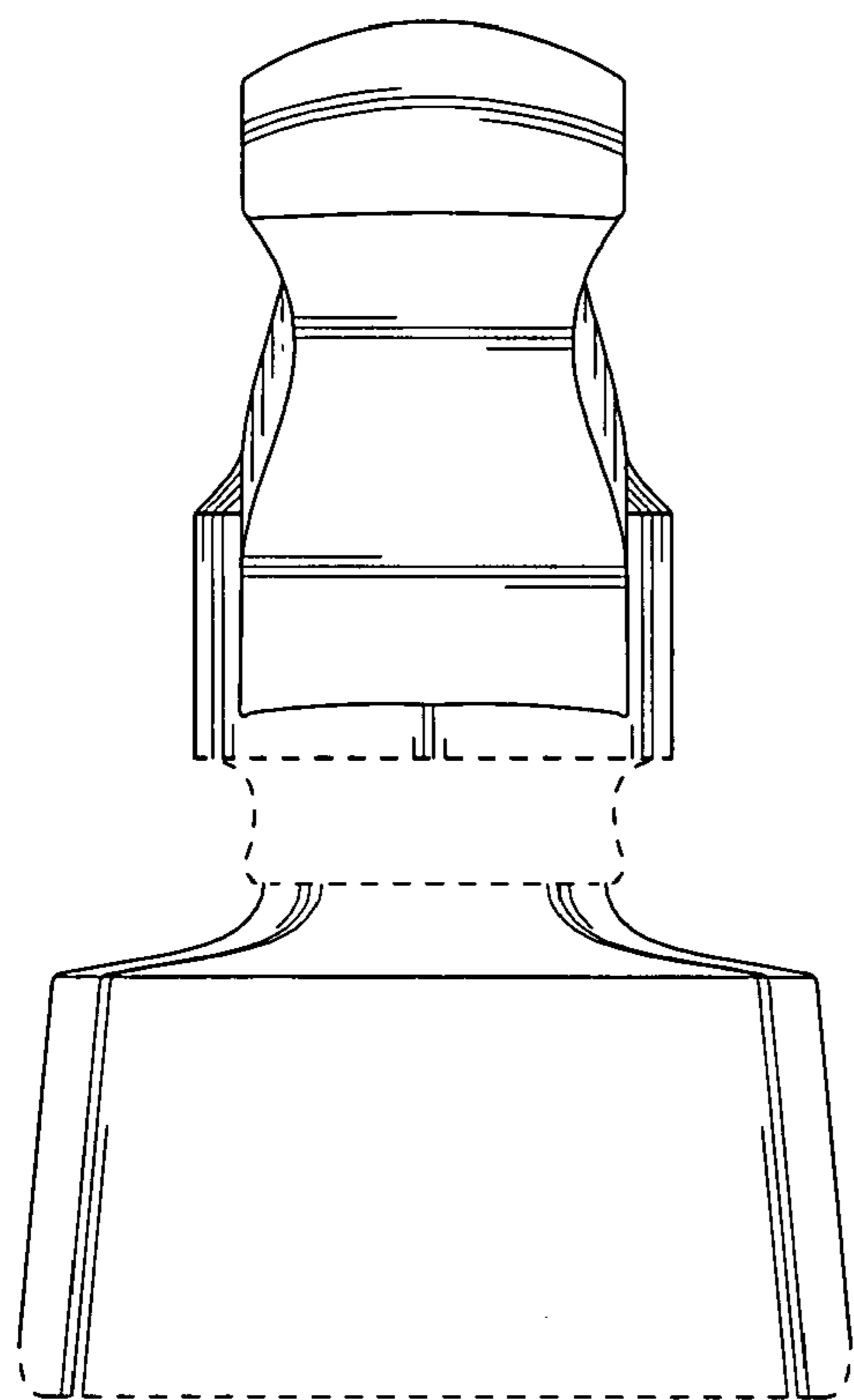


FIG. 2

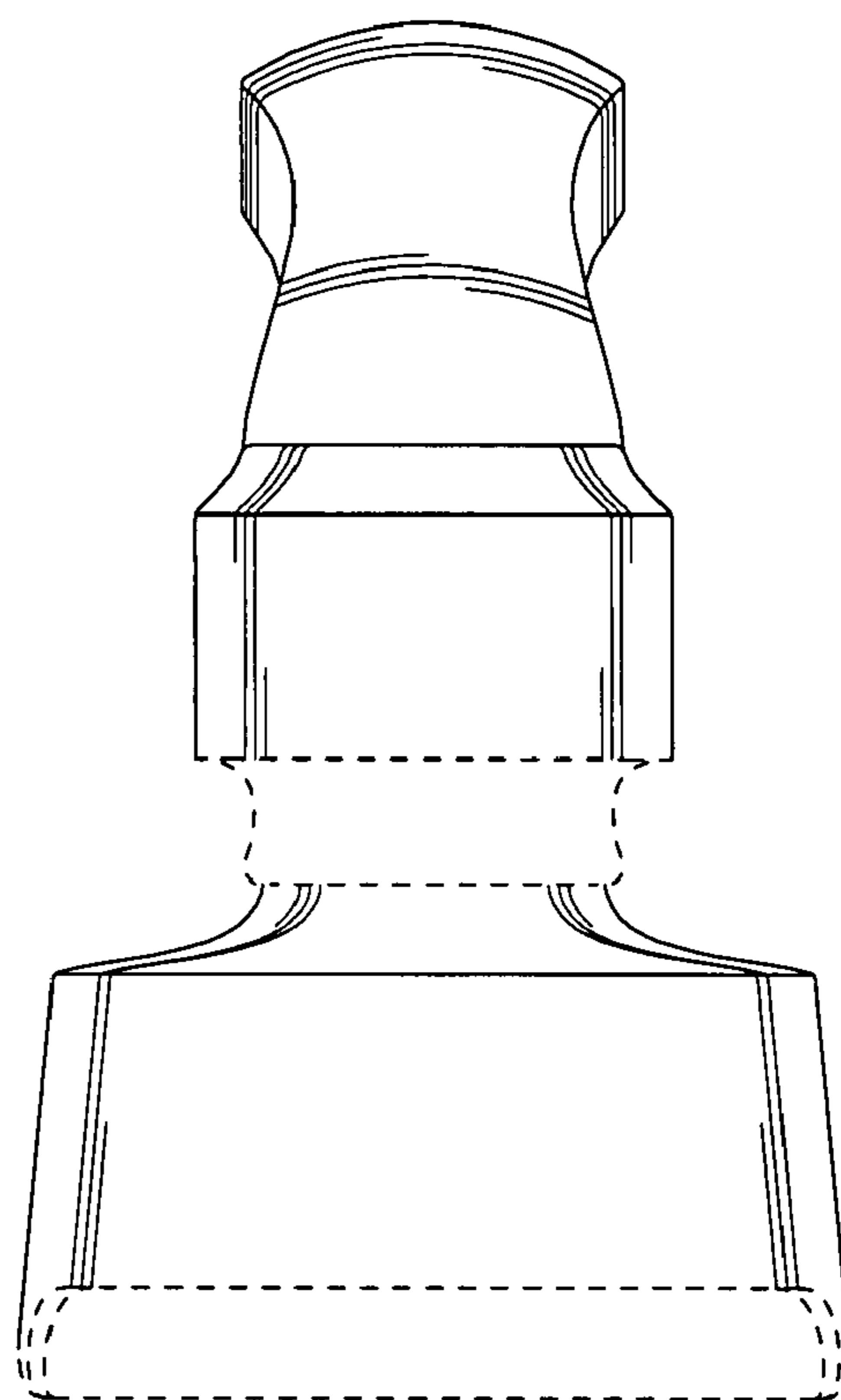


FIG. 3

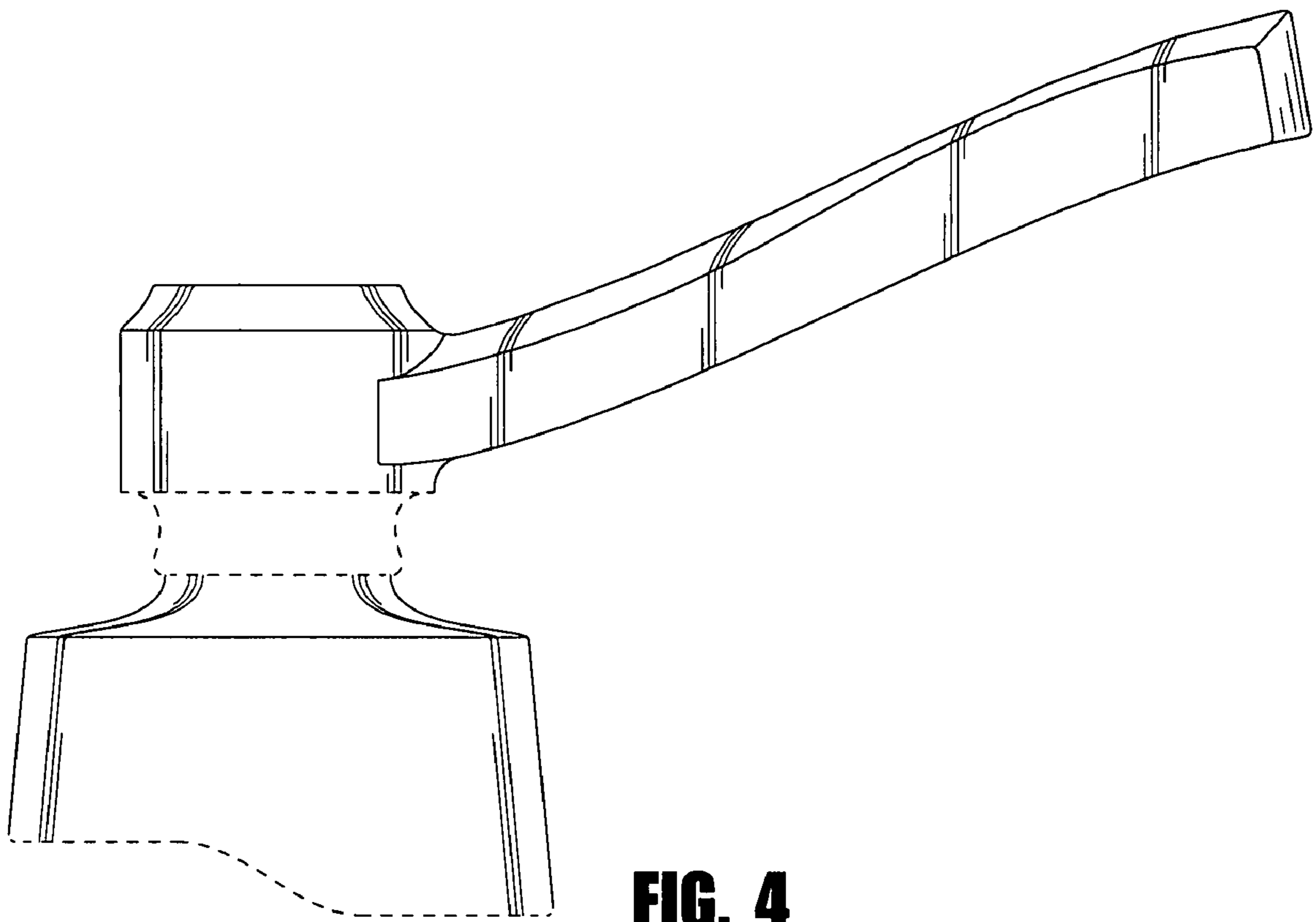


FIG. 4

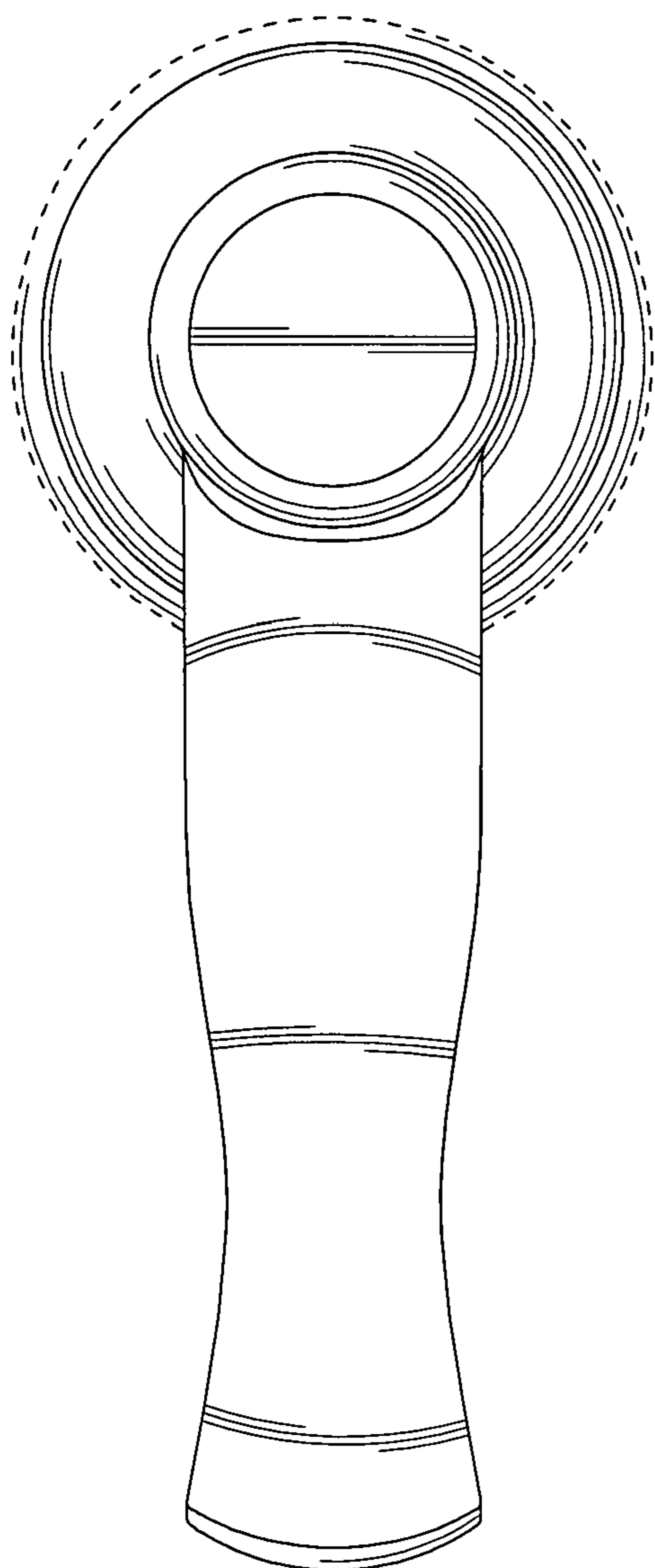


FIG. 5

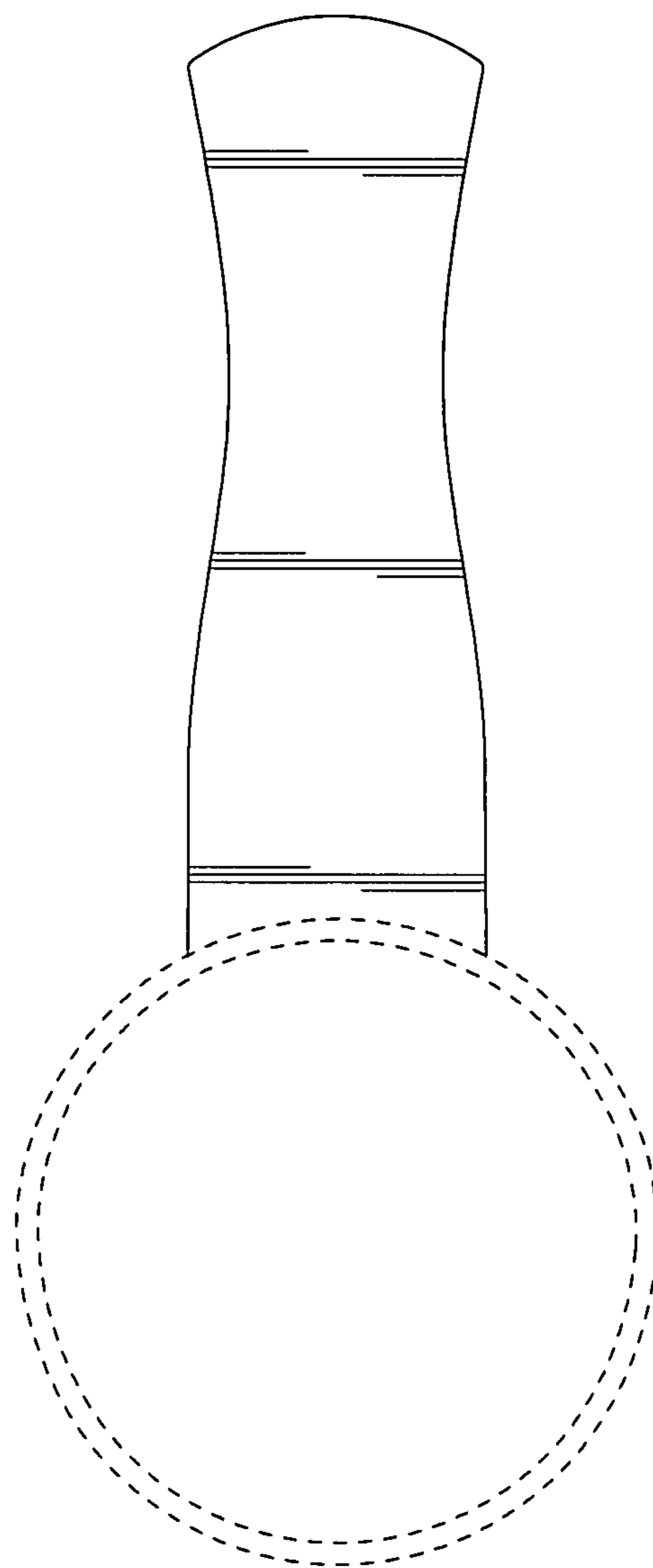


FIG. 6