



US00D581020S

(12) **United States Design Patent**
Dolan

(10) **Patent No.:** **US D581,020 S**
(45) **Date of Patent:** **** Nov. 18, 2008**

(54) **FAUCET HANDLE**

(76) **Inventor:** **Patrick S. Dolan**, 2700 NW. Front Ave.,
Portland, OR (US) 97210

(**) **Term:** **14 Years**

(21) **Appl. No.:** **29/291,442**

(22) **Filed:** **Aug. 28, 2007**

(51) **LOC (8) Cl.** **23-01**

(52) **U.S. Cl.** **D23/250**

(58) **Field of Classification Search** D23/250,
D23/249, 252, 254, 238, 242; D8/300, 307,
D8/308; 4/675-677; 16/110.1

See application file for complete search history.

(56) **References Cited**

U.S. PATENT DOCUMENTS

| | | | | |
|--------------|--------|-----------------|-------|---------|
| D325,426 S * | 4/1992 | Paul | | D23/252 |
| D347,268 S * | 5/1994 | Paul | | D23/252 |
| D505,995 S | 6/2005 | Kulig | | |
| D566,815 S * | 4/2008 | Wang | | D23/242 |
| D568,967 S * | 5/2008 | Williams et al. | | D23/250 |
| D570,451 S * | 6/2008 | Dolan | | D23/242 |

OTHER PUBLICATIONS

Co-Pending U.S. Appl. No. 29/286,999, filed May 25, 2007, Patrick S. Dolan.

Co-Pending U.S. Appl. No. 29/270,970, filed Jan. 5, 2007, Patrick S. Dolan.

Co-Pending U.S. Appl. No. 29/270,971, filed Jan. 5, 2007, Patrick S. Dolan.

Co-Pending U.S. Appl. No. 29/291,328, filed Aug. 23, 2007, Patrick S. Dolan.

Co-Pending U.S. Appl. No. 29/291,332, filed Aug. 23, 2007, Patrick S. Dolan.

Co-Pending U.S. Appl. No. 29/291,443, filed Aug. 28, 2007, Patrick S. Dolan.

Co-Pending U.S. Appl. No. 29/291,444, filed Aug. 28, 2007, Patrick S. Dolan.

Tilo, Kaiping City, China, Catalog 2005. p. 35, Model TL-06A-002.

Tilo Kaiping City, China, Catalog 2005. p. 61, Model TL-04K102.

* cited by examiner

Primary Examiner—Robin V Webster

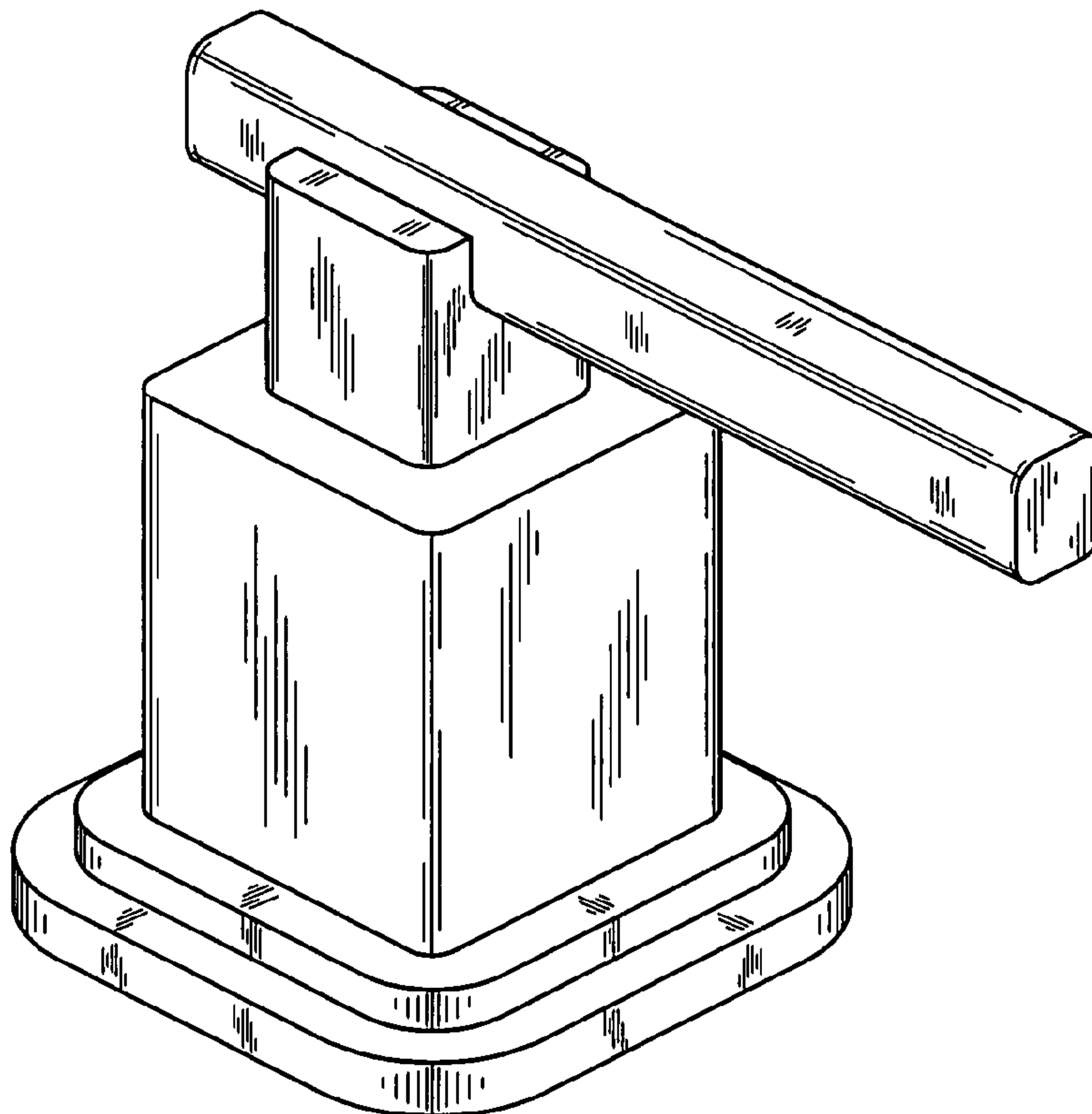
(57) **CLAIM**

The ornamental design for a faucet handle, as shown and described.

DESCRIPTION

FIG. 1 is a perspective view thereof;
FIG. 2 is a front elevational view thereof;
FIG. 3 is a right side view, the left side being identical; and,
FIG. 4 is a top plan view thereof.

1 Claim, 4 Drawing Sheets



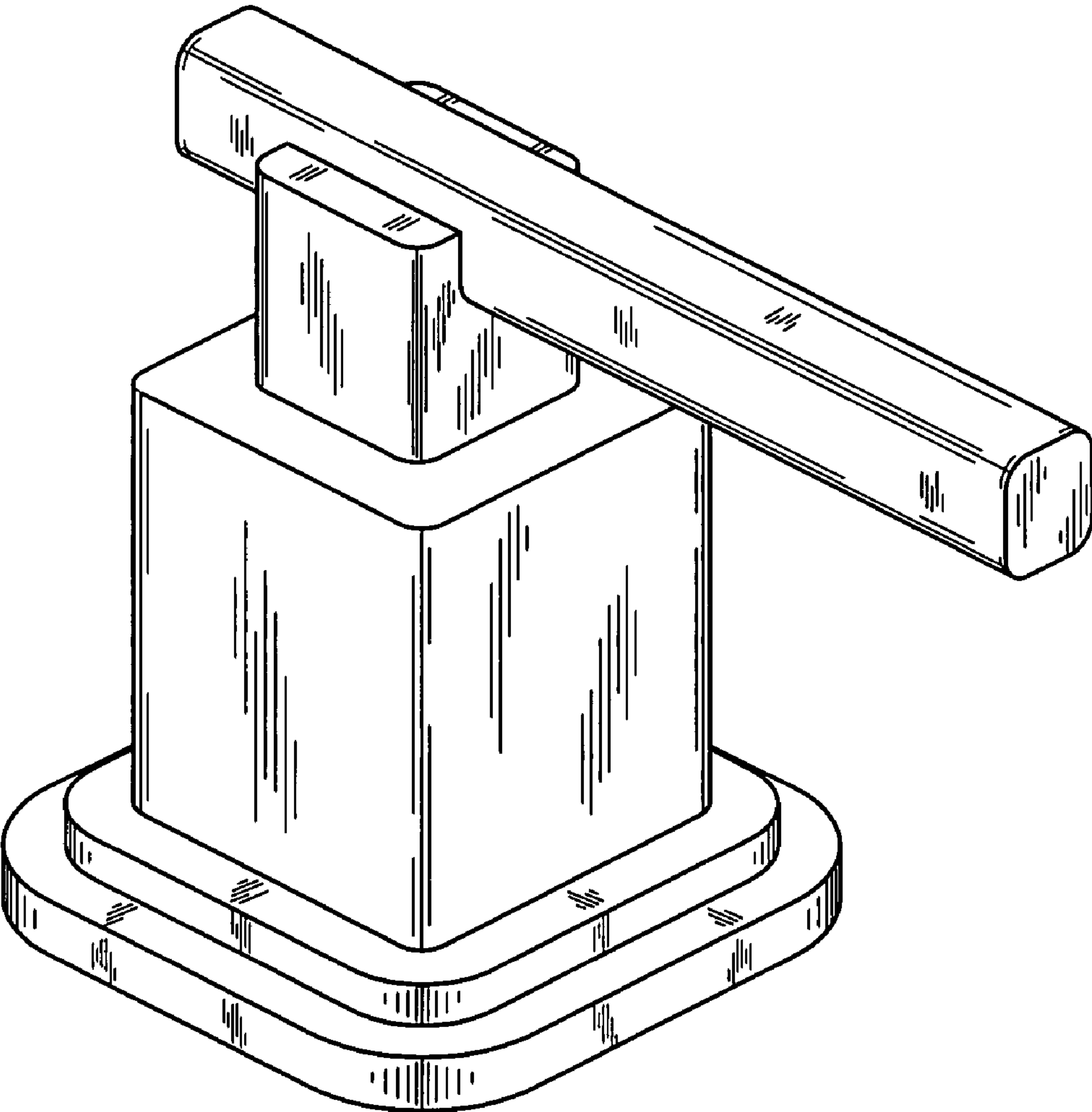


FIG. 1

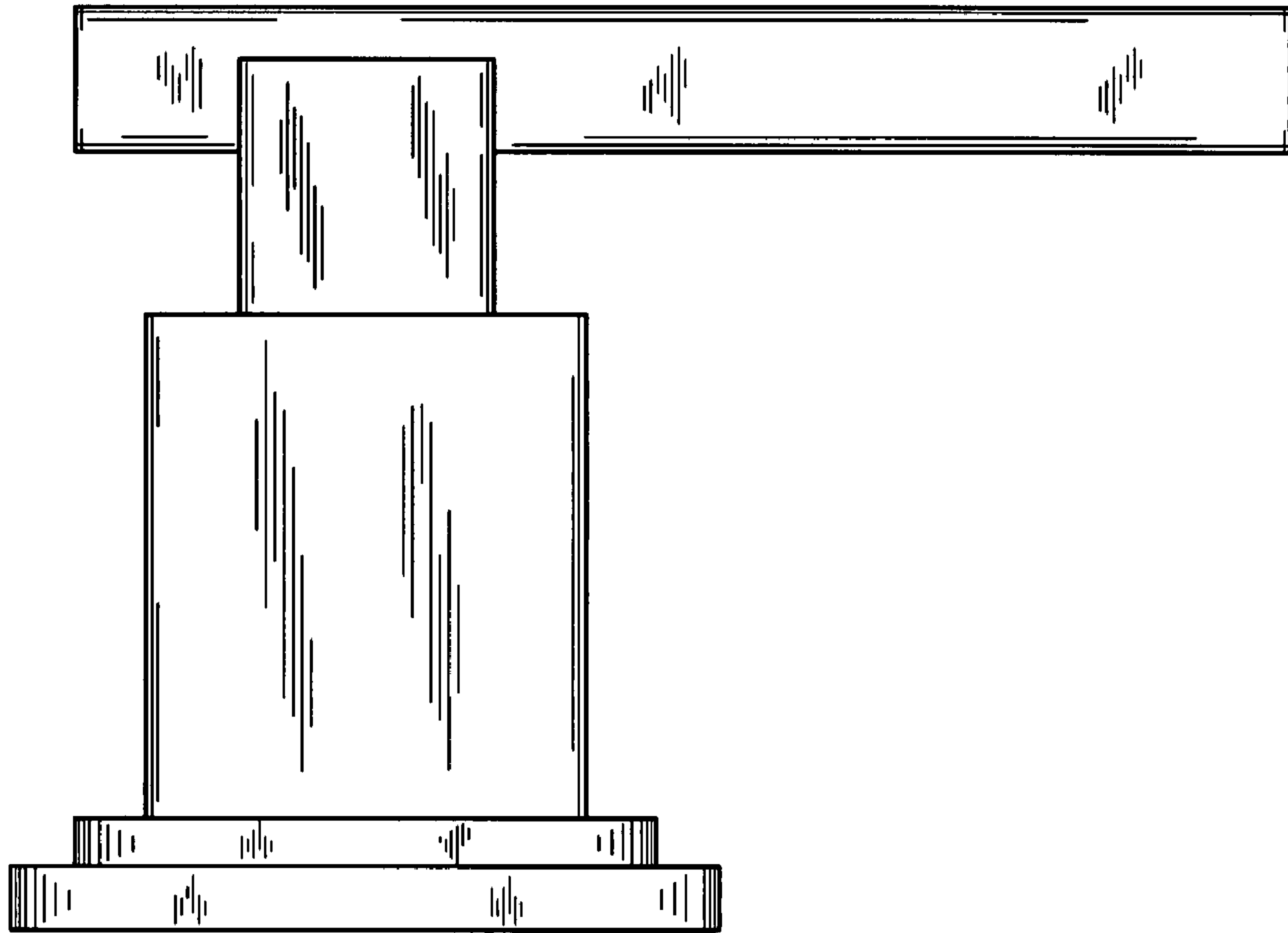


FIG. 2

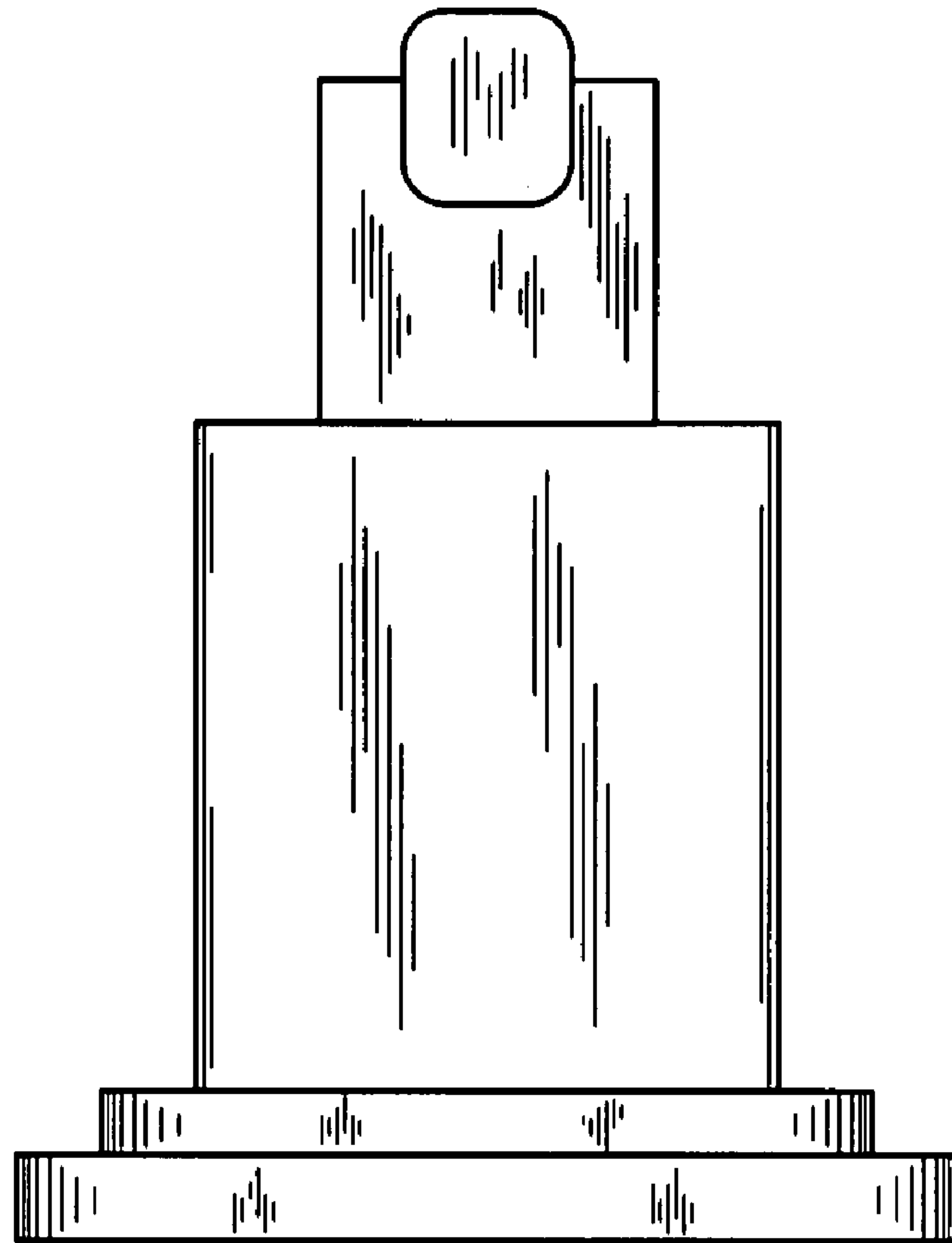


FIG. 3

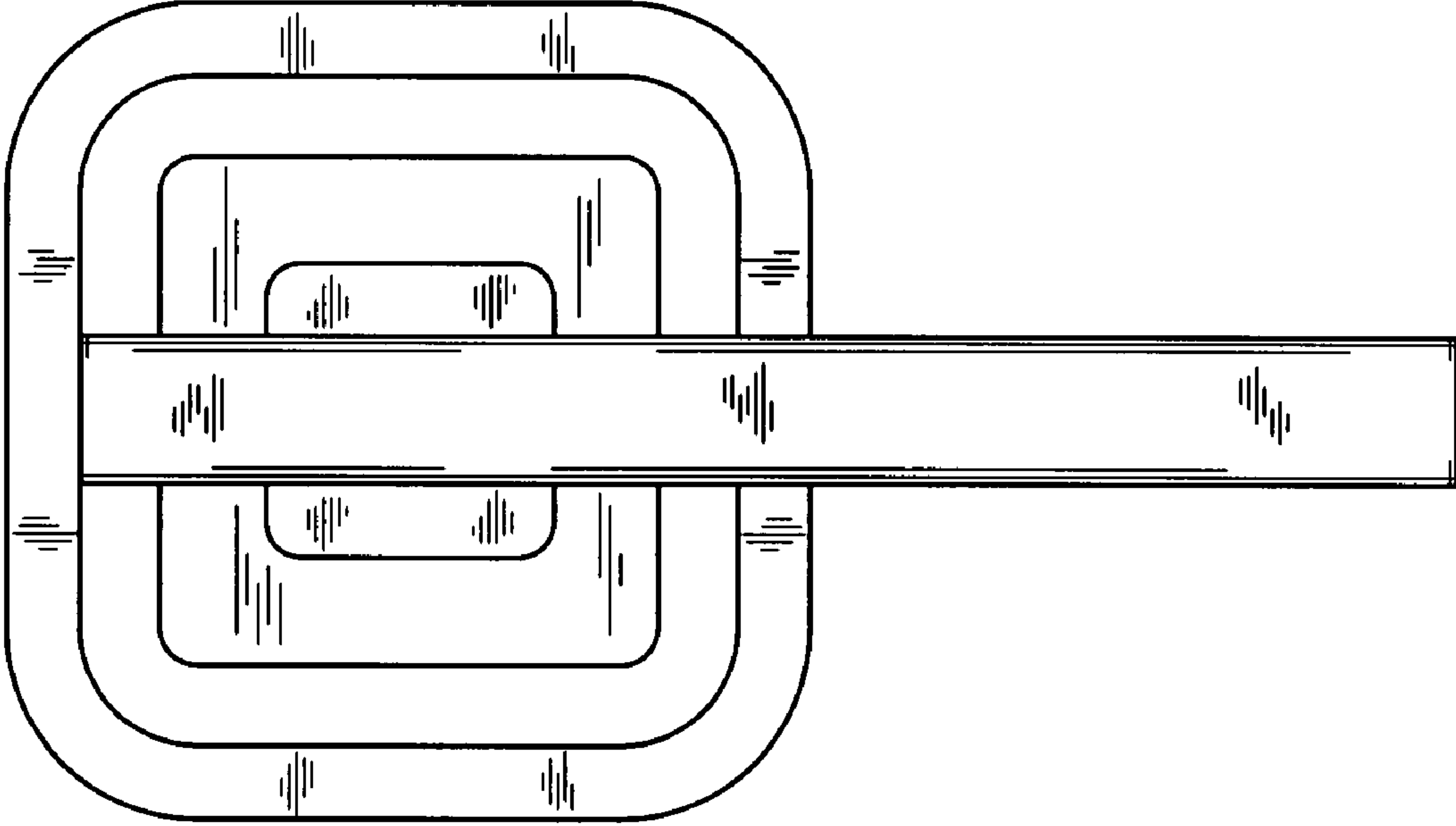


FIG. 4