



US00D581018S

(12) **United States Design Patent**  
**Citterio**

(10) **Patent No.:** **US D581,018 S**  
(45) **Date of Patent:** **\*\* Nov. 18, 2008**

(54) **FAUCET ASSEMBLY**

(75) Inventor: **Antonio Citterio**, Milan (IT)

(73) Assignee: **Hansgrohe AG** (DE)

(\*\*) Term: **14 Years**

(21) Appl. No.: **29/283,261**

(22) Filed: **Aug. 9, 2007**

(30) **Foreign Application Priority Data**

Feb. 27, 2007 (EM) ..... 000679303-0006

(51) **LOC (8) Cl.** ..... **23-01**

(52) **U.S. Cl.** ..... **D23/241**

(58) **Field of Classification Search** ..... D23/200,  
D23/238-257; D6/512, 546, 550; D8/300,  
D8/307-308, 310-312, 321; 4/675-678;  
137/801; 16/110.1, 441

See application file for complete search history.

(56) **References Cited**

**U.S. PATENT DOCUMENTS**

D373,179 S \* 8/1996 Sieger ..... D23/241  
D430,650 S \* 9/2000 Graves ..... D23/242  
D468,403 S \* 1/2003 Panis et al. .... D23/242  
D479,583 S \* 9/2003 Citterio ..... D23/242  
D510,982 S \* 10/2005 Pains ..... D23/255  
D518,149 S \* 3/2006 Spangler ..... D23/241

D519,613 S \* 4/2006 Spangler ..... D23/241  
D529,138 S \* 9/2006 Chen ..... D23/241  
D529,997 S \* 10/2006 Chen ..... D23/241  
D546,421 S \* 7/2007 Kulig et al. .... D23/241  
D568,444 S \* 5/2008 Lobermeier et al. .... D23/241

\* cited by examiner

*Primary Examiner*—Louis Zarfaz

*Assistant Examiner*—Mark Cavanna

(74) *Attorney, Agent, or Firm*—Leon E. Redman; Lloyd D. Doigan

(57) **CLAIM**

The ornamental design for a faucet assembly, as shown and described.

**DESCRIPTION**

FIG. 1 is a front perspective view of a faucet assembly showing my design;

FIG. 2 is a front elevational view thereof;

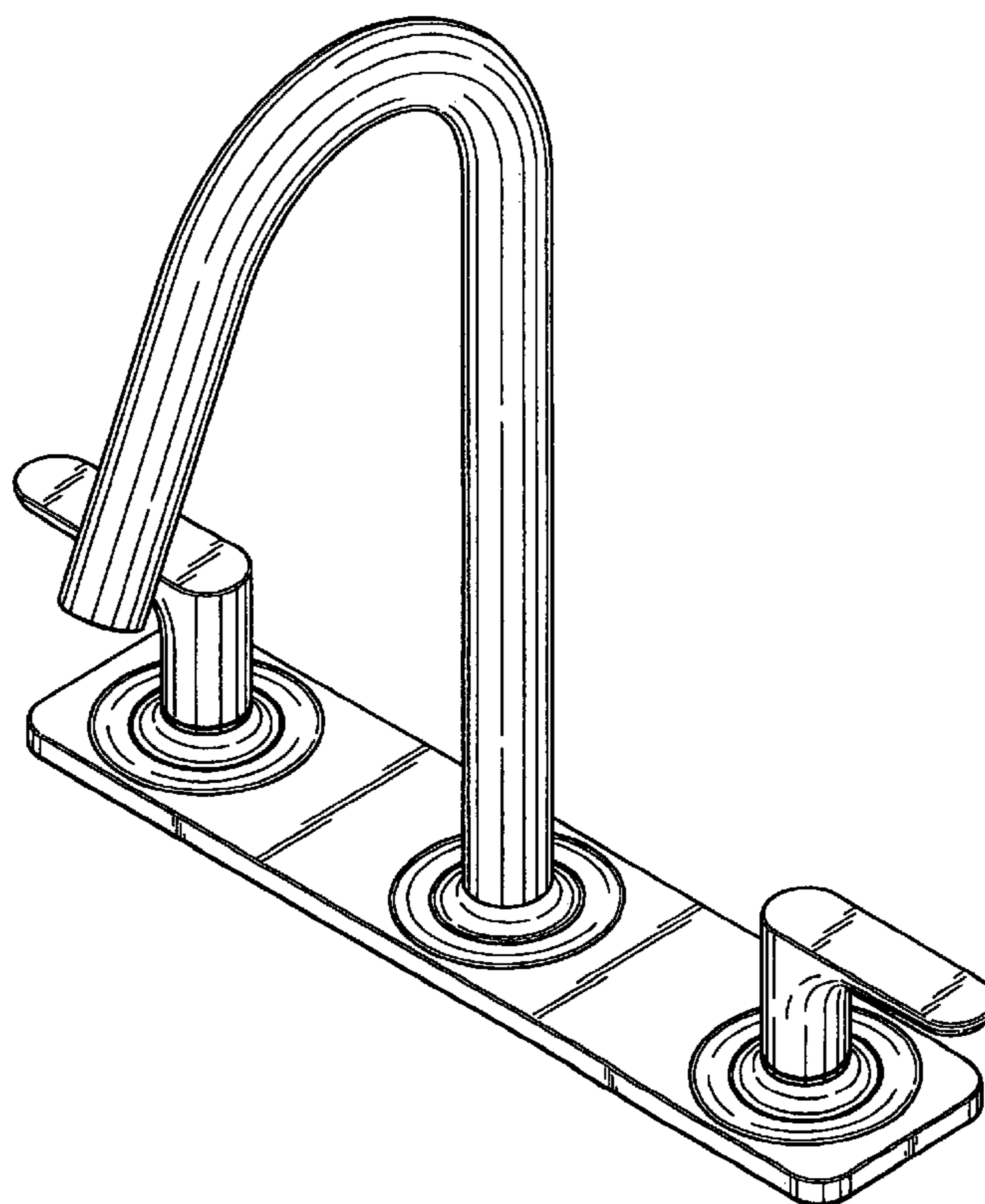
FIG. 3 is a rear elevational view thereof;

FIG. 4 is a left side elevational view thereof; the right side elevational view being a mirror image thereof; and,

FIG. 5 is a top plan view thereof.

The broken lines are included for the purpose of illustrating portions of the faucet assembly that forms no part of the claimed design.

**1 Claim, 5 Drawing Sheets**



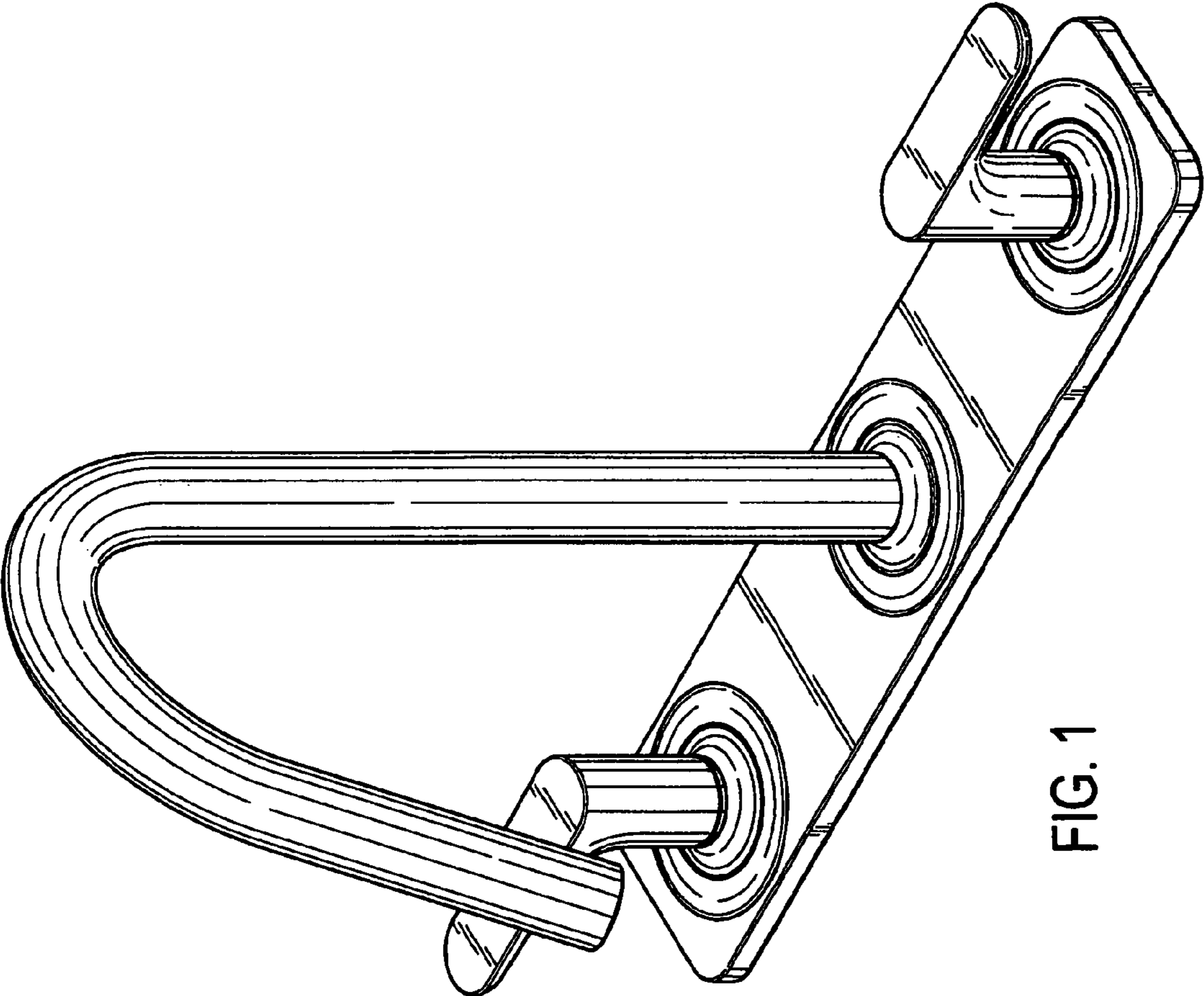


FIG. 1

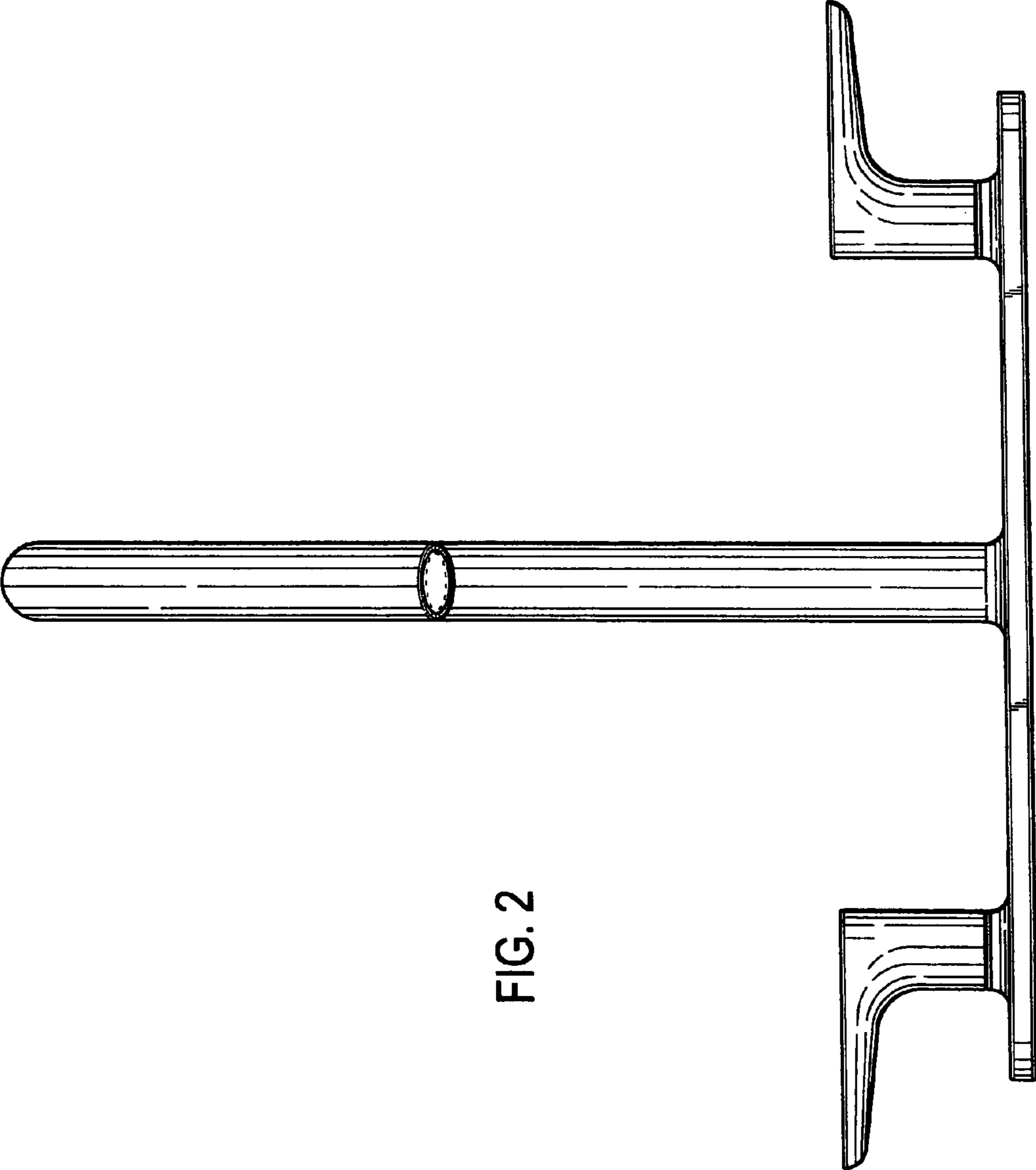


FIG. 2

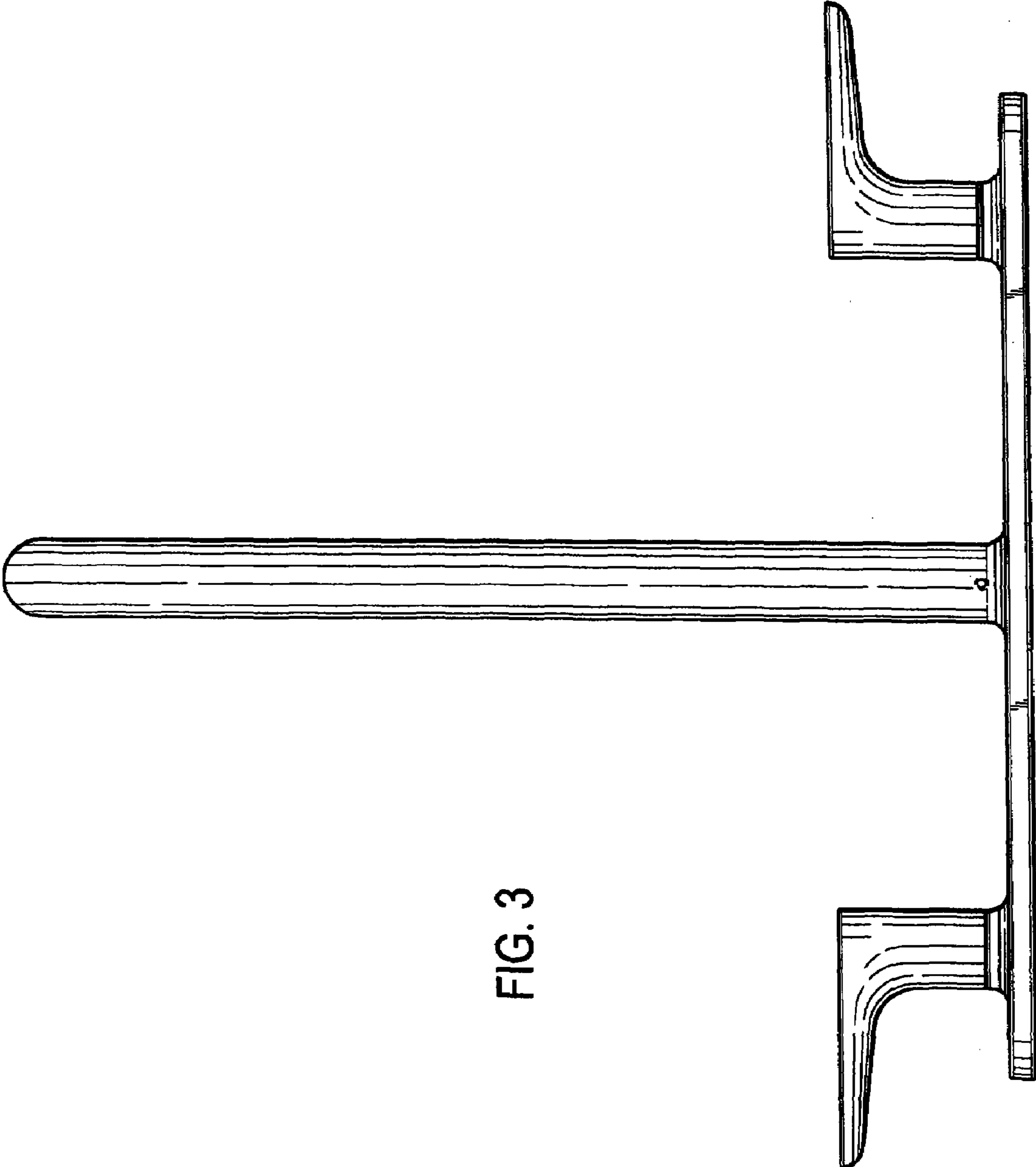
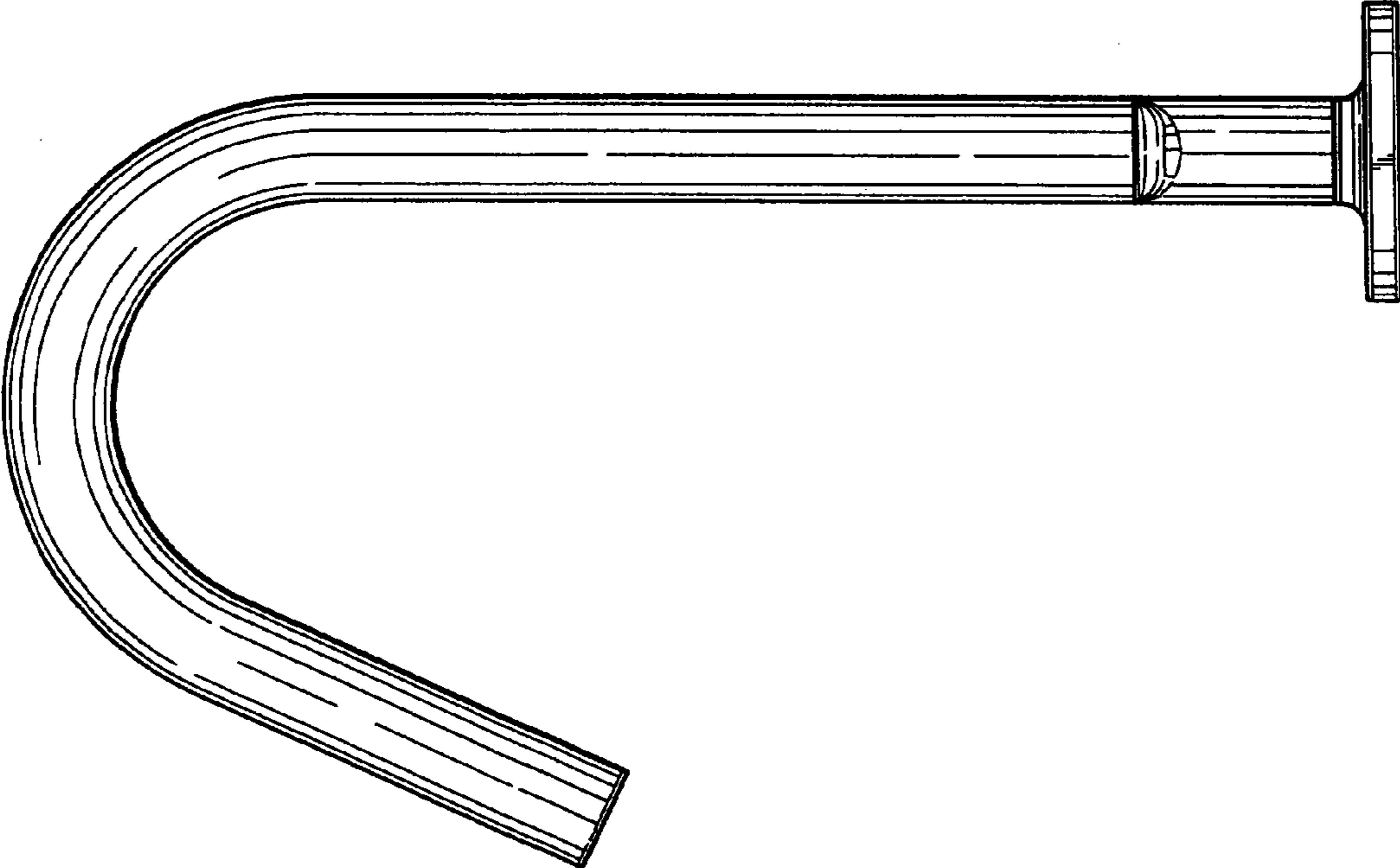


FIG. 3

FIG. 4



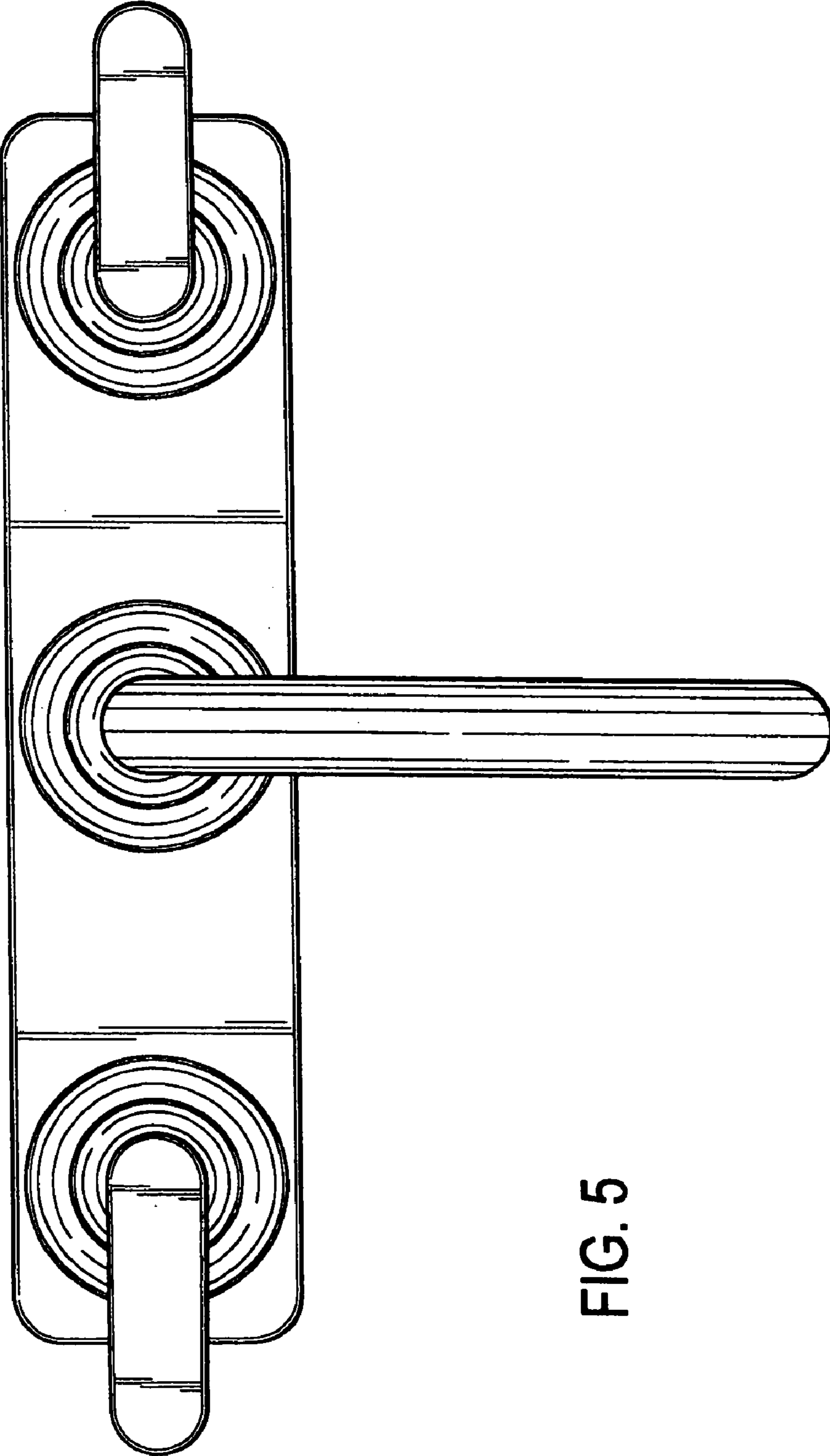


FIG. 5