



US00D581016S

(12) **United States Design Patent**
Lin

(10) **Patent No.:** **US D581,016 S**

(45) **Date of Patent:** **** Nov. 18, 2008**

(54) **WATER TAP**

(76) **Inventor:** **Su-Hsien Lin**, 52-2 Lien 1, Yu Chuan
Tsuen, Kang Kuan Hsian, Miaoli (TW)

(**) **Term:** **14 Years**

(21) **Appl. No.:** **29/292,650**

(22) **Filed:** **Oct. 22, 2007**

(30) **Foreign Application Priority Data**

Aug. 6, 2007 (TW) 96304276

(51) **LOC (8) Cl.** **23-01**

(52) **U.S. Cl.** **D23/238**

(58) **Field of Classification Search** D23/200,
D23/238-257; D6/512, 546, 550; D8/300,
D8/307-308, 310-312, 321; 4/675-678;
137/801; 16/110.1, 441

See application file for complete search history.

(56) **References Cited**

U.S. PATENT DOCUMENTS

D291,234 S *	8/1987	Bergmann et al.	D23/238
D301,162 S *	5/1989	Oberdorfer	D23/238
D355,706 S *	2/1995	Chretien	D23/238
D355,955 S *	2/1995	Chretien	D23/238
D413,375 S *	8/1999	Meda	D23/238

D441,429 S *	5/2001	Mullenmeister	D23/238
D517,169 S *	3/2006	Ogata et al.	D23/238
D517,647 S *	3/2006	Kulig	D23/238
D517,653 S *	3/2006	Ito	D23/238
D529,991 S *	10/2006	Egli et al.	D23/238
D534,619 S *	1/2007	Garner	D23/238
D541,906 S *	5/2007	Qing	D23/238
D548,308 S *	8/2007	Hoernig	23/238

* cited by examiner

Primary Examiner—Robert A. Delehanty

Assistant Examiner—Mark Cavanna

(74) *Attorney, Agent, or Firm*—Berliner & Associates

(57) **CLAIM**

The ornamental design for a water tap, as shown and described.

DESCRIPTION

FIG. 1 is a perspective view of the water tap, showing my new design;

FIG. 2 is a front elevational view thereof;

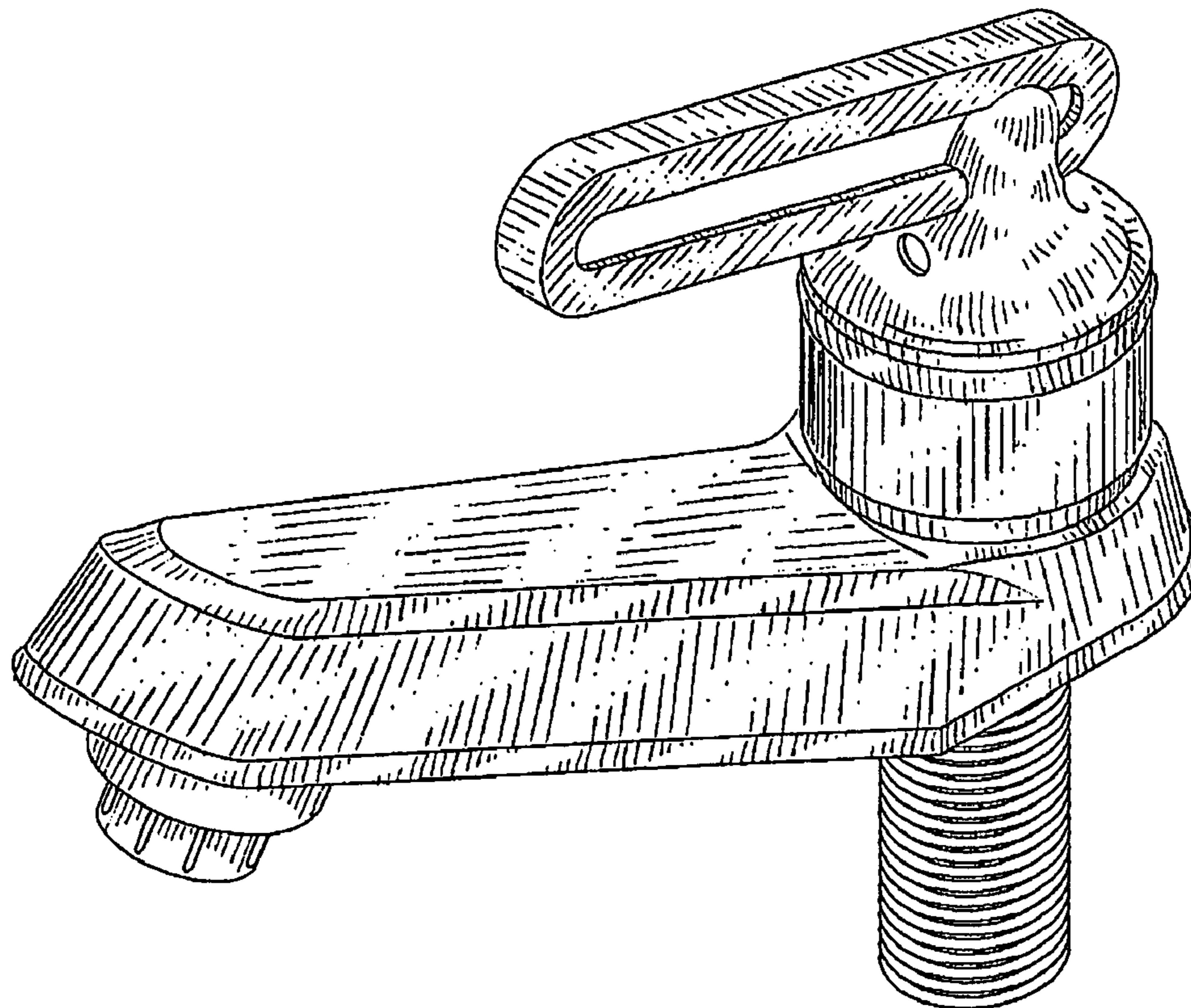
FIG. 3 is a rear elevational view thereof;

FIG. 4 is a left side elevational view thereof;

FIG. 5 is a right side elevational view thereof; and,

FIG. 6 is a top plan view thereof.

1 Claim, 5 Drawing Sheets



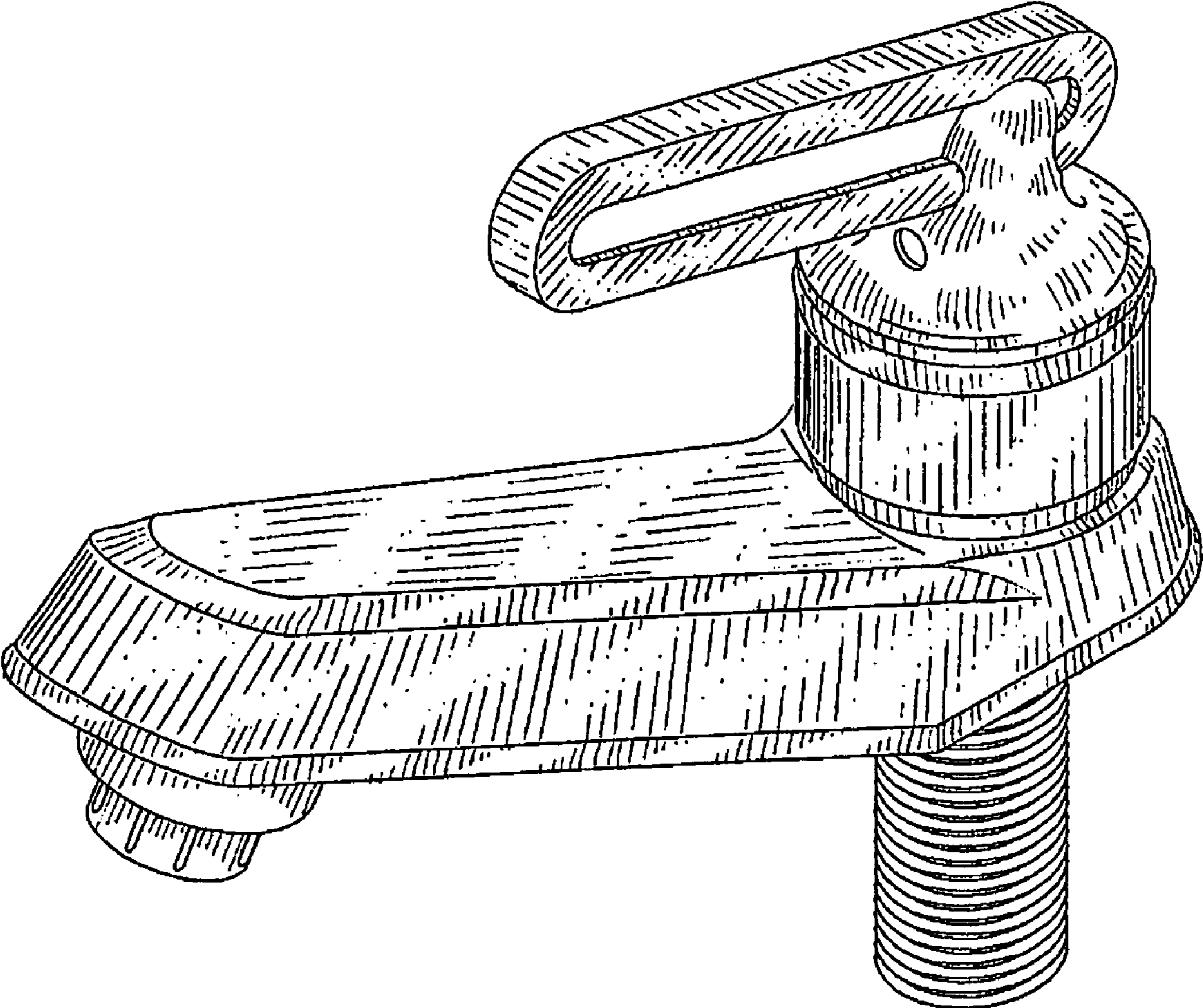


FIG. 1

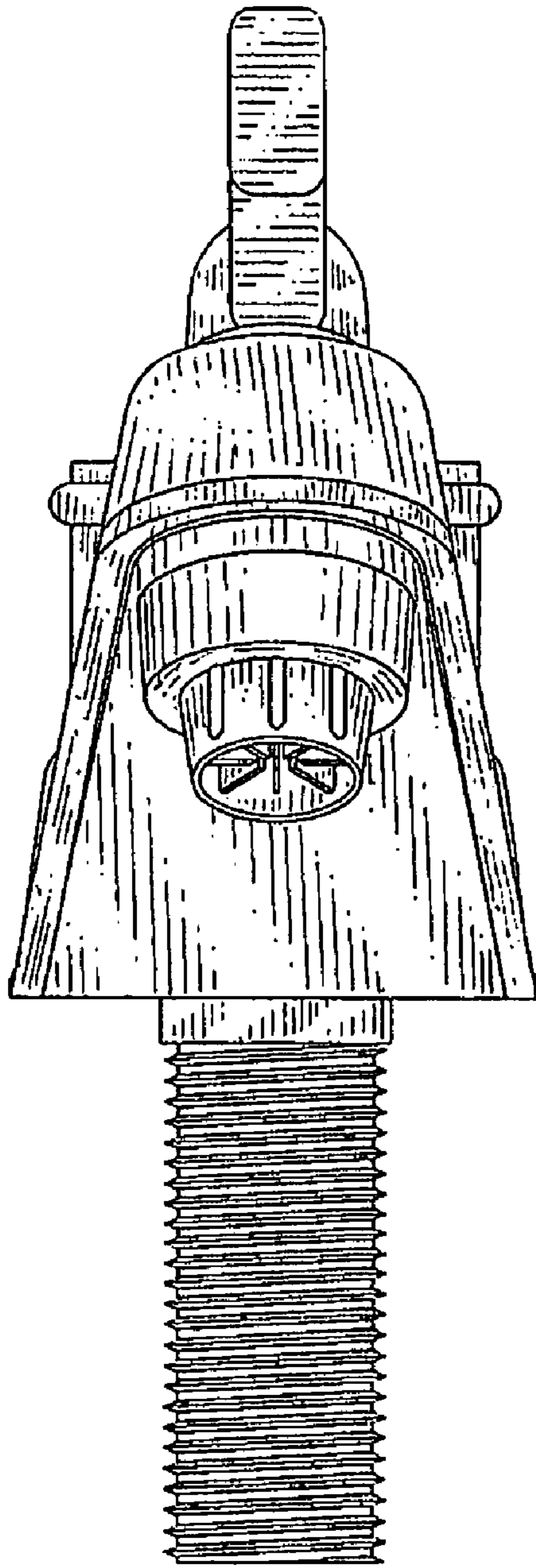


FIG. 2

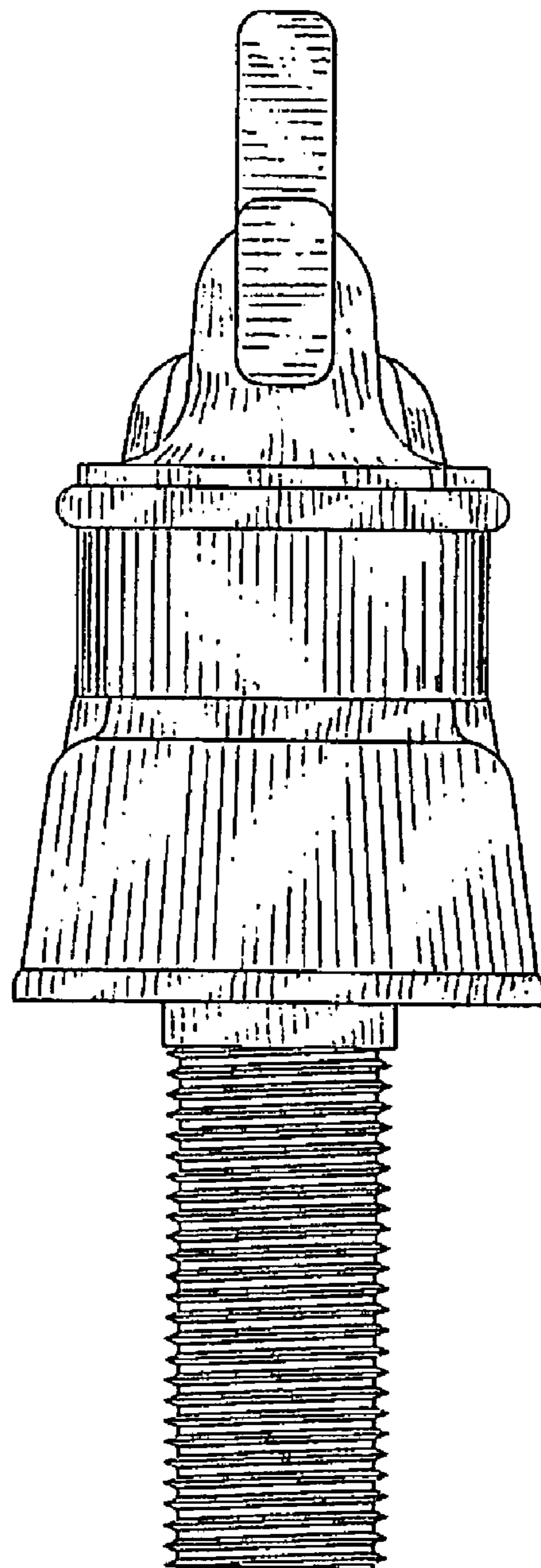


FIG. 3

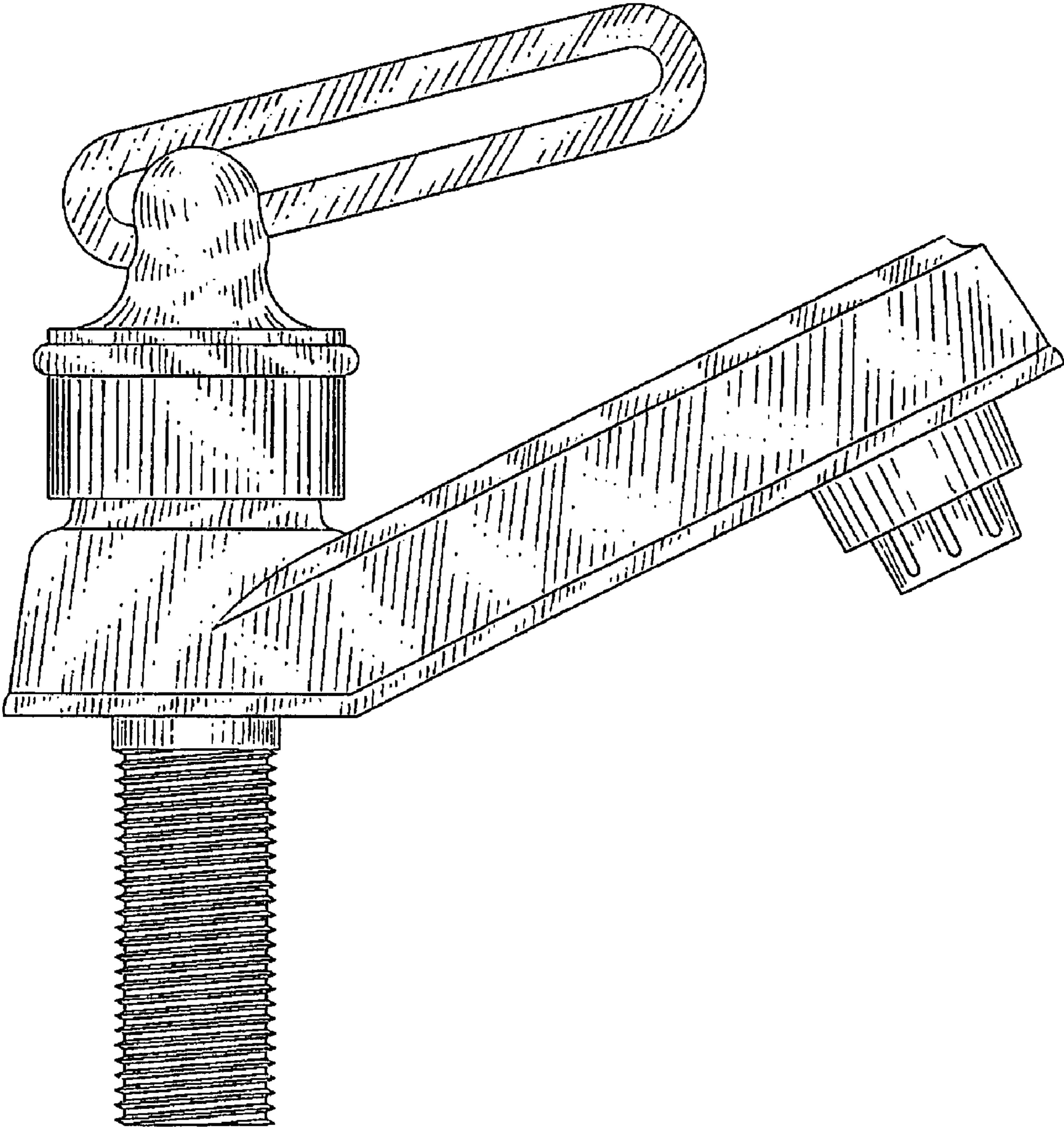


FIG. 4

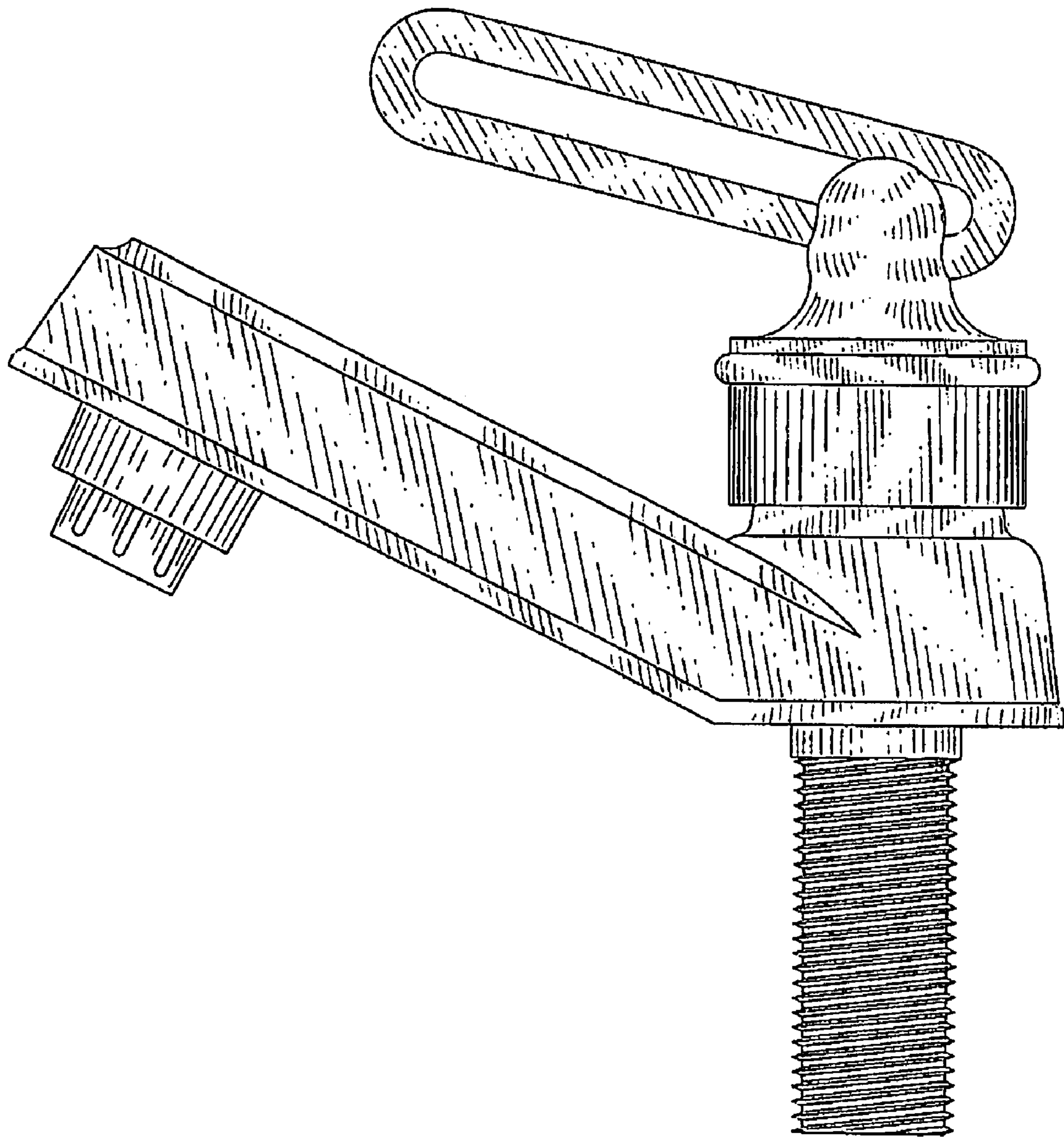


FIG. 5

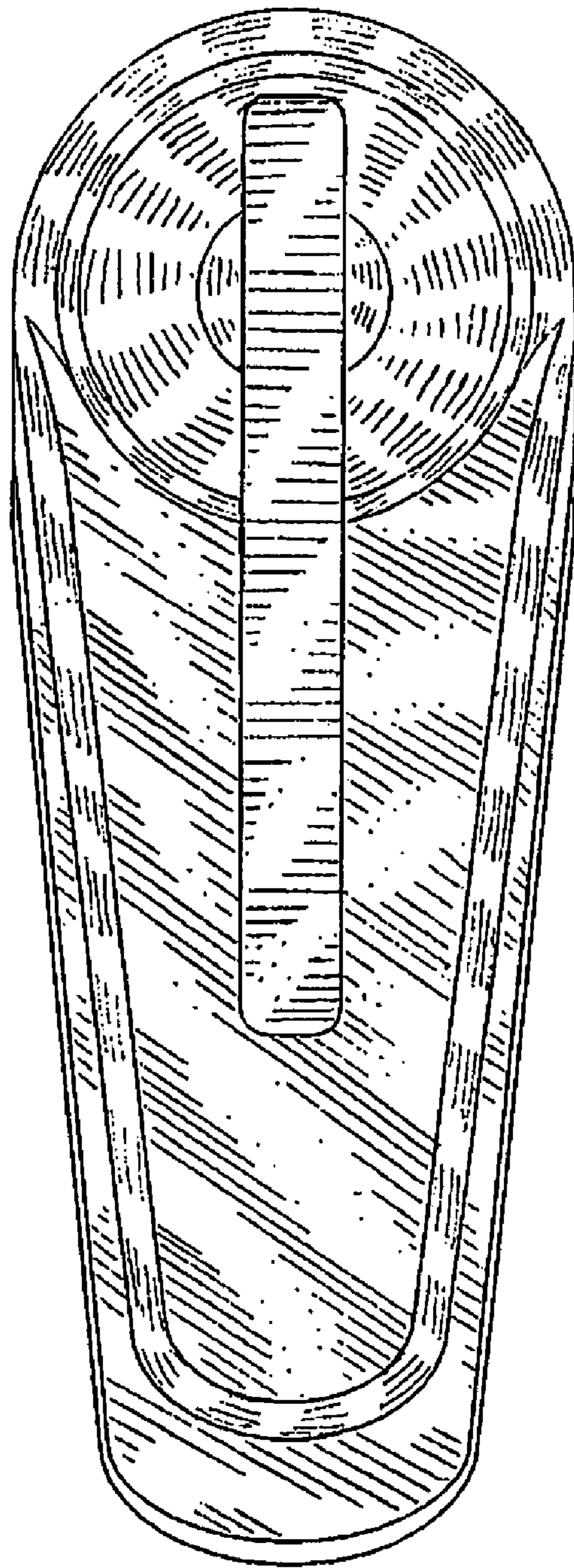


FIG. 6