



US00D581014S

(12) **United States Design Patent**  
**Quinn et al.**

(10) **Patent No.:** **US D581,014 S**  
(45) **Date of Patent:** **\*\* Nov. 18, 2008**

(54) **HAND SHOWER**

(75) Inventors: **Michael J. Quinn**, Windsor, CO (US);  
**Brian R. Williams**, Schaumburg, IL  
(US); **Scott Belliveau**, Plainfield, IL  
(US); **Anne Clare Moser**, Chicago, IL  
(US)

(73) Assignee: **Water Pik, Inc.**, Fort Collins, CO (US)

(\*\*) Term: **14 Years**

(21) Appl. No.: **29/299,259**

(22) Filed: **Dec. 20, 2007**

(51) **LOC (8) Cl.** ..... **23-01**

(52) **U.S. Cl.** ..... **D23/223**

(58) **Field of Classification Search** ..... D23/223,  
D23/213, 226, 229-230; 239/394, 282-283  
See application file for complete search history.

(56) **References Cited**

**U.S. PATENT DOCUMENTS**

203,094 A	4/1878	Wakeman
204,333 A	5/1878	Josias
309,349 A	12/1884	Hart
428,023 A	5/1890	Schoff
432,712 A	7/1890	Taylor
445,250 A	1/1891	Lawless
486,986 A	11/1892	Schinke
566,384 A	8/1896	Engelhart
566,410 A	8/1896	Schinke
570,405 A	10/1896	Jerguson et al.
694,888 A	3/1902	Pfluger
800,802 A	10/1905	Franquist
832,523 A	10/1906	Andersson
835,678 A	11/1906	Hammond
854,094 A	5/1907	Klein
926,929 A	7/1909	Dusseau
1,001,842 A	8/1911	Greenfield
1,003,037 A	9/1911	Crowe
1,018,143 A	2/1912	Vissering
1,046,573 A	12/1912	Ellis

1,203,466 A	10/1916	Benson
1,217,254 A	2/1917	Winslow
1,218,895 A	3/1917	Porter
1,255,577 A	2/1918	Berry
1,260,181 A	3/1918	Garnero
1,276,117 A	8/1918	Riebe
1,284,099 A	11/1918	Harris
1,327,428 A	1/1920	Gregory
1,451,800 A	4/1923	Agner
1,459,582 A	6/1923	Dubee
1,469,528 A	10/1923	Owens

(Continued)

**FOREIGN PATENT DOCUMENTS**

CA 659510 3/1963

(Continued)

**OTHER PUBLICATIONS**

Color Copy, Labeled 1A, Gemlo, available at least as early as Dec. 2, 1998.

(Continued)

*Primary Examiner*—Robin V Webster

(74) *Attorney, Agent, or Firm*—Dorsey & Whitney LLP

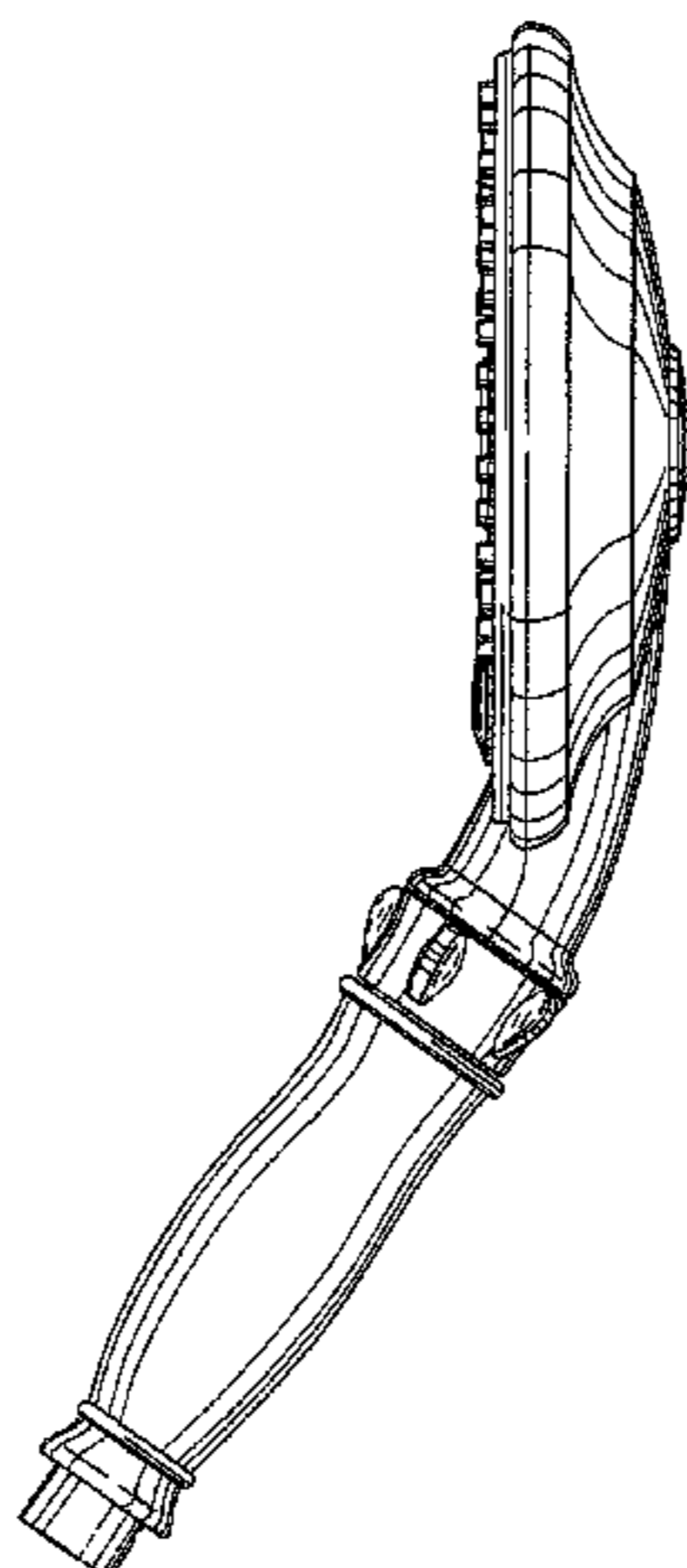
(57) **CLAIM**

The ornamental design for a hand shower, as shown and described.

**DESCRIPTION**

FIG. 1 is a bottom perspective view of a hand shower;  
FIG. 2 is a bottom view of the hand shower of FIG. 1;  
FIG. 3 is a top view of the hand shower of FIG. 1;  
FIG. 4 is a front view of the hand shower of FIG. 1;  
FIG. 5 is a right side view of the hand shower of FIG. 1; and,  
FIG. 6 is a left side view of the hand shower of FIG. 1.  
The back view of the hand shower is a mirror image of the front view.

**1 Claim, 3 Drawing Sheets**



**US D581,014 S**

Page 2

U.S. PATENT DOCUMENTS					
1,500,921 A	7/1924	Bramson et al.	3,104,827 A	9/1963	Aghnides
1,560,789 A	11/1925	Johnson et al.	3,111,277 A	11/1963	Grimsley
1,597,477 A	8/1926	Panhorst	3,143,857 A	8/1964	Eaton
1,633,531 A	6/1927	Keller	3,196,463 A	7/1965	Fameth
1,692,394 A	11/1928	Sundh	3,231,200 A	1/1966	Heald
1,695,263 A	12/1928	Jacques	3,236,545 A	2/1966	Parkes et al.
1,724,147 A	8/1929	Russell	3,239,152 A	3/1966	Bachli et al.
1,724,161 A	8/1929	Wuesthoff	3,266,059 A	8/1966	Stelle
1,736,160 A	11/1929	Jonsson	3,273,359 A	9/1966	Fregeolle
1,754,127 A	4/1930	Srulowitz	3,306,634 A	2/1967	Groves et al.
1,758,115 A	5/1930	Kelly	3,323,148 A	6/1967	Burnon
1,778,658 A	10/1930	Baker	3,329,967 A	7/1967	Martinez et al.
1,821,274 A	9/1931	Plummer	3,341,132 A	9/1967	Parkison
1,849,517 A	3/1932	Fraser	3,342,419 A	9/1967	Weese
1,890,156 A	12/1932	Konig	3,344,994 A	10/1967	Fife
1,906,575 A	5/1933	Goeriz	3,363,842 A	1/1968	Burns
1,934,553 A	11/1933	Mueller et al.	3,383,051 A	5/1968	Fiorentino
1,946,207 A	2/1934	Haire	3,389,925 A	6/1968	Gottschald
2,011,446 A	8/1935	Judell	3,393,311 A	7/1968	Dahl
2,024,930 A	12/1935	Judell	3,393,312 A	7/1968	Dahl
2,033,467 A	3/1936	Groeniger	3,404,410 A	10/1968	Sumida
2,044,445 A	6/1936	Price et al.	3,492,029 A	1/1970	French et al.
2,085,854 A	7/1937	Hathaway et al.	3,516,611 A	6/1970	Piggott
2,096,912 A	10/1937	Morris	3,546,961 A	12/1970	Marton
2,117,152 A	5/1938	Crosti	3,550,863 A	12/1970	McDermott
D113,439 S	2/1939	Reinecke	3,552,436 A	1/1971	Stewart
2,196,783 A	4/1940	Shook	3,565,116 A	2/1971	Gabin
2,197,667 A	4/1940	Shook	3,566,917 A	3/1971	White
2,216,149 A	10/1940	Weiss	3,580,513 A	5/1971	Martin
D126,433 S	4/1941	Enthof	3,584,822 A	6/1971	Oram
2,251,192 A	7/1941	Krumsiek et al.	3,596,835 A	8/1971	Smith et al.
2,268,263 A	12/1941	Newell et al.	3,612,577 A	10/1971	Pope
2,285,831 A	6/1942	Pennypacker	3,641,333 A	2/1972	Gendron
2,342,757 A	2/1944	Roser	3,647,144 A	3/1972	Parkison et al.
2,402,741 A	6/1946	Draviner	3,663,044 A	5/1972	Contreras et al.
D147,258 S	8/1947	Becker	3,669,470 A	6/1972	Deurloo
D152,584 S	2/1949	Becker	3,672,648 A	6/1972	Price
2,467,954 A	4/1949	Becker	3,682,392 A	8/1972	Kint
2,546,348 A	3/1951	Schuman	3,685,745 A	8/1972	Peschcke-koedt
2,567,642 A	9/1951	Penshaw	D224,834 S	9/1972	Laudell
2,581,129 A	1/1952	Muldoon	3,711,029 A	1/1973	Bartlett
D166,073 S	3/1952	Dunkelberger	3,722,798 A	3/1973	Bletcher et al.
2,648,762 A	8/1953	Dunkelberger	3,722,799 A	3/1973	Rauh
2,664,271 A	12/1953	Arutunoff	3,731,084 A	5/1973	Trevorrow
2,671,693 A	3/1954	Hysler et al.	3,754,779 A	8/1973	Peress
2,676,806 A	4/1954	Bachman	3,762,648 A	10/1973	Deines et al.
2,679,575 A	5/1954	Haberstump	3,768,735 A	10/1973	Ward
2,680,358 A	6/1954	Zublin	3,786,995 A	1/1974	Manoogian et al.
2,726,120 A	12/1955	Bletcher et al.	3,801,019 A	4/1974	Trenary et al.
2,759,765 A	8/1956	Pawley	3,810,580 A	5/1974	Rauh
2,776,168 A	1/1957	Schweda	3,826,454 A	7/1974	Zieger
2,792,847 A	5/1957	Spencer	3,840,734 A	10/1974	Oram
2,873,999 A	2/1959	Webb	3,845,291 A	10/1974	Portyrata
2,930,505 A	3/1960	Meyer	3,860,271 A	1/1975	Rodgers
2,931,672 A	4/1960	Merritt et al.	3,861,719 A	1/1975	Hand
2,935,265 A	5/1960	Richter	3,865,310 A	2/1975	Elkins et al.
2,949,242 A	8/1960	Blumberg et al.	3,869,151 A	3/1975	Fletcher et al.
2,957,587 A	10/1960	Tobin	3,896,845 A	7/1975	Parker
2,966,311 A	12/1960	Davis	3,902,671 A	9/1975	Symmons
D190,295 S	5/1961	Becker	3,910,277 A	10/1975	Zimmer
2,992,437 A	7/1961	Nelson et al.	D237,708 S	11/1975	Grohe
3,007,648 A	11/1961	Fraser	3,929,164 A	12/1975	Richter
D192,935 S	5/1962	Becker	3,958,756 A	5/1976	Trenary et al.
3,032,357 A	5/1962	Shames et al.	D240,322 S	6/1976	Staub
3,034,809 A	5/1962	Greenberg	3,967,783 A	7/1976	Halsted et al.
3,037,799 A	6/1962	Mulac	3,979,096 A	9/1976	Zieger
3,081,339 A	3/1963	Green et al.	3,997,116 A	12/1976	Moen
3,092,333 A	6/1963	Gaiotto	3,998,390 A	12/1976	Peterson et al.
3,098,508 A	7/1963	Gerdes	3,999,714 A	12/1976	Lang
3,103,723 A	9/1963	Becker	4,005,880 A	2/1977	Anderson et al.
3,104,815 A	9/1963	Schultz	4,006,920 A	2/1977	Sadler et al.
			4,023,782 A	5/1977	Eifer
			4,042,984 A	8/1977	Butler

## US D581,014 S

Page 3

4,045,054 A	8/1977	Arnold	4,598,866 A	7/1986	Cammack et al.
D245,858 S	9/1977	Grube	4,614,303 A	9/1986	Moseley, Jr. et al.
D245,860 S	9/1977	Grube	4,616,298 A	10/1986	Bolson
4,068,801 A	1/1978	Leutheuser	4,618,100 A	10/1986	White et al.
4,081,135 A	3/1978	Tomaro	4,629,124 A	12/1986	Gruber
4,084,271 A	4/1978	Ginsberg	4,629,125 A	12/1986	Liu
4,091,998 A	5/1978	Peterson	4,643,463 A	2/1987	Halling et al.
D249,356 S	9/1978	Nagy	4,645,244 A	2/1987	Curtis
4,117,979 A	10/1978	Lagarelli et al.	4,650,120 A	3/1987	Kress
4,129,257 A	12/1978	Eggert	4,650,470 A	3/1987	Epstein
4,130,120 A	12/1978	Kohler, Jr.	4,652,025 A	3/1987	Conroy, Sr.
4,131,233 A	12/1978	Koenig	4,654,900 A	4/1987	McGhee
4,133,486 A	1/1979	Fanella	4,657,185 A	4/1987	Rundzaitis
4,135,549 A	1/1979	Baker	4,669,666 A	6/1987	Finkbeiner
D251,045 S	2/1979	Grube	4,669,757 A	6/1987	Bartholomew
4,141,502 A	2/1979	Grohe	4,674,687 A	6/1987	Smith et al.
4,151,955 A	5/1979	Stouffer	4,683,917 A	8/1987	Bartholomew
4,151,957 A	5/1979	Gecewicz et al.	4,703,893 A	11/1987	Gruber
4,162,801 A	7/1979	Kresky et al.	4,719,654 A	1/1988	Blessing
4,165,837 A	8/1979	Rundzaitis	4,733,337 A	3/1988	Bieberstein
4,167,196 A	9/1979	Morris	D295,437 S	4/1988	Fabian
4,174,822 A	11/1979	Larsson	4,739,801 A	4/1988	Kimura et al.
4,185,781 A	1/1980	O'Brien	4,749,126 A	6/1988	Kessener et al.
4,190,207 A	2/1980	Fienhold et al.	D296,582 S	7/1988	Haug et al.
4,191,332 A	3/1980	De Langis et al.	4,754,928 A	7/1988	Rogers et al.
4,203,550 A	5/1980	On	D297,160 S	8/1988	Robbins
4,209,132 A	6/1980	Kwan	4,764,047 A	8/1988	Johnston et al.
D255,626 S	7/1980	Grube	4,778,104 A	10/1988	Fisher
4,219,160 A	8/1980	Allred, Jr.	4,787,591 A	11/1988	Villacorta
4,221,338 A	9/1980	Shames et al.	4,790,294 A	12/1988	Allred, III et al.
4,243,253 A	1/1981	Rogers, Jr.	4,801,091 A	1/1989	Sandvik
4,244,526 A	1/1981	Arth	4,809,369 A	3/1989	Bowden
D258,677 S	3/1981	Larsson	4,839,599 A	6/1989	Fischer
4,254,914 A	3/1981	Shames et al.	4,842,059 A	6/1989	Tomek
4,258,414 A	3/1981	Sokol	D302,325 S	7/1989	Charet et al.
4,272,022 A	6/1981	Evans	4,850,616 A	7/1989	Pava
4,274,400 A	6/1981	Baus	4,854,499 A	8/1989	Neuman
4,282,612 A	8/1981	King	4,856,822 A	8/1989	Parker
D261,300 S	10/1981	Klose	4,865,362 A	9/1989	Holden
D261,417 S	10/1981	Klose	4,871,196 A	10/1989	Kingsford
4,303,201 A	12/1981	Elkins et al.	4,896,658 A	1/1990	Yonekubo et al.
4,319,608 A	3/1982	Raikov et al.	D306,351 S	2/1990	Charet et al.
4,330,089 A	5/1982	Finkbeiner	4,901,927 A	2/1990	Valdivia
D266,212 S	9/1982	Haug et al.	4,903,178 A	2/1990	Englot et al.
4,350,298 A	9/1982	Tada	4,903,897 A	2/1990	Hayes
4,353,508 A	10/1982	Butterfield et al.	4,903,922 A	2/1990	Harris, III
4,358,056 A	11/1982	Greenhut et al.	4,907,137 A	3/1990	Schladitz et al.
D267,582 S	1/1983	Mackay et al.	4,907,744 A	3/1990	Jousson
D268,359 S	3/1983	Klose	4,909,435 A	3/1990	Kidouchi et al.
D268,442 S	3/1983	Darmon	4,914,759 A	4/1990	Goff
D268,611 S	4/1983	Klose	4,946,202 A	8/1990	Perricone
4,383,554 A	5/1983	Merriman	4,951,329 A	8/1990	Shaw
4,396,797 A	8/1983	Sakuragi et al.	4,953,585 A	9/1990	Rollini et al.
4,398,669 A	8/1983	Fienhold	4,964,573 A	10/1990	Lipski
4,425,965 A	1/1984	Bayh, III et al.	4,972,048 A	11/1990	Martin
4,432,392 A	2/1984	Paley	D313,267 S	12/1990	Lenci et al.
D274,457 S	6/1984	Haug	4,976,460 A	12/1990	Newcombe et al.
4,461,052 A	7/1984	Mostul	D314,246 S	1/1991	Bache
4,465,308 A	8/1984	Martini	D315,191 S	3/1991	Mikol
4,467,964 A	8/1984	Kaeser	4,998,673 A	3/1991	Pilolla
4,495,550 A	1/1985	Visciano	5,004,158 A	4/1991	Halem et al.
4,527,745 A	7/1985	Butterfield et al.	D317,348 S	6/1991	Geneve et al.
4,540,202 A	9/1985	Amphoux et al.	5,020,570 A	6/1991	Cotter
4,545,081 A	10/1985	Nestor et al.	5,022,103 A	6/1991	Faist
4,553,775 A	11/1985	Halling	5,032,015 A	7/1991	Christianson
D281,820 S	12/1985	Oba et al.	5,033,528 A	7/1991	Volcani
4,561,593 A	12/1985	Cammack et al.	5,033,897 A	7/1991	Chen
4,564,889 A	1/1986	Bolson	D319,294 S	8/1991	Kohler, Jr. et al.
4,571,003 A	2/1986	Roling et al.	D320,064 S	9/1991	Presman
4,572,232 A	2/1986	Gruber	5,046,764 A	9/1991	Kimura et al.
D283,645 S	4/1986	Tanaka	D321,062 S	10/1991	Bonbright
4,587,991 A	5/1986	Chorkey	5,058,804 A	10/1991	Yonekubo et al.
4,588,130 A	5/1986	Trenary et al.	D322,119 S	12/1991	Haug et al.

# US D581,014 S

---

D322,681 S	12/1991	Yuen	D346,430 S	4/1994	Warshawsky
5,070,552 A	12/1991	Gentry et al.	D347,262 S	5/1994	Black et al.
D323,545 S	1/1992	Ward	D347,265 S	5/1994	Gottwald
5,082,019 A	1/1992	Tetrault	5,316,216 A	5/1994	Cammack et al.
5,086,878 A	2/1992	Swift	D348,720 S	7/1994	Haug et al.
5,090,624 A	2/1992	Rogers	5,329,650 A	7/1994	Zaccai et al.
5,100,055 A	3/1992	Rokitenetz et al.	D349,947 S	8/1994	Hing-Wah
D325,769 S	4/1992	Haug et al.	5,333,787 A	8/1994	Smith et al.
D325,770 S	4/1992	Haug et al.	5,333,789 A	8/1994	Garneys
5,103,384 A	4/1992	Drohan	5,340,064 A	8/1994	Heimann et al.
D326,311 S	5/1992	Lenci et al.	5,340,165 A	8/1994	Sheppard
D327,115 S	6/1992	Rogers	D350,808 S	9/1994	Warshawsky
5,121,511 A	6/1992	Sakamoto et al.	5,344,080 A	9/1994	Matsui
D327,729 S	7/1992	Rogers	5,349,987 A	9/1994	Shieh
5,127,580 A	7/1992	Fu-I	5,356,076 A	10/1994	Bishop
5,134,251 A	7/1992	Martin	5,356,077 A	10/1994	Shames
D328,944 S	8/1992	Robbins	D352,347 S	11/1994	Dannenber
5,141,016 A	8/1992	Nowicki	D352,766 S	11/1994	Hill et al.
D329,504 S	9/1992	Yuen	5,368,235 A	11/1994	Drozdoff et al.
5,143,300 A	9/1992	Cutler	5,369,556 A	11/1994	Zeller
5,145,114 A	9/1992	Monch	5,370,427 A	12/1994	Hoelle et al.
D330,068 S	10/1992	Haug et al.	5,385,500 A	1/1995	Schmidt
D330,408 S	10/1992	Thacker	D355,242 S	2/1995	Warshawsky
D330,409 S	10/1992	Raffo	D355,703 S	2/1995	Duell
5,153,976 A	10/1992	Benchaar et al.	D356,626 S	3/1995	Wang
5,154,355 A	10/1992	Gonzalez	5,397,064 A	3/1995	Heitzman
5,154,483 A	10/1992	Zeller	5,398,872 A	3/1995	Joubran
5,161,567 A	11/1992	Humpert	5,398,977 A	3/1995	Berger et al.
5,163,752 A	11/1992	Copeland et al.	5,402,812 A	4/1995	Moineau et al.
5,171,429 A	12/1992	Yasuo	5,405,089 A	4/1995	Heimann et al.
5,172,860 A	12/1992	Yuch	5,414,879 A	5/1995	Hiraishi et al.
5,172,862 A	12/1992	Heimann et al.	5,423,348 A	6/1995	Jezeq et al.
5,172,866 A	12/1992	Ward	5,433,384 A	7/1995	Chan et al.
D332,303 S	1/1993	Klose	D361,399 S	8/1995	Carbone et al.
D332,994 S	2/1993	Huen	D361,623 S	8/1995	Huen
D333,339 S	2/1993	Klose	5,441,075 A	8/1995	Clare
5,197,767 A	3/1993	Kimura et al.	5,449,206 A	9/1995	Lockwood
D334,794 S	4/1993	Klose	D363,360 S	10/1995	Santarsiero
D335,171 S	4/1993	Lenci et al.	5,454,809 A	10/1995	Janssen
5,201,468 A	4/1993	Freier et al.	5,468,057 A	11/1995	Megerle et al.
5,206,963 A	5/1993	Wiens	D364,935 S	12/1995	deBlois
5,207,499 A	5/1993	Vajda et al.	D365,625 S	12/1995	Bova
5,213,267 A	5/1993	Heimann et al.	D365,646 S	12/1995	deBlois
5,220,697 A	6/1993	Birchfield	5,476,225 A	12/1995	Chan
D337,839 S	7/1993	Zeller	D366,309 S	1/1996	Huang
5,228,625 A	7/1993	Grassberger	D366,707 S	1/1996	Kaiser
5,230,106 A	7/1993	Henkin et al.	D366,708 S	1/1996	Santarsiero
D338,542 S	8/1993	Yuen	D366,709 S	1/1996	Szmanski
5,232,162 A	8/1993	Chih	D366,710 S	1/1996	Szymanski
D339,492 S	9/1993	Klose	5,481,765 A	1/1996	Wang
D339,627 S	9/1993	Klose	D366,948 S	2/1996	Carbone
D339,848 S	9/1993	Gottwald	D367,315 S	2/1996	Andrus
5,246,169 A	9/1993	Heimann et al.	D367,333 S	2/1996	Swyst
D340,376 S	10/1993	Klose	D367,696 S	3/1996	Andrus
5,253,670 A	10/1993	Perrott	D367,934 S	3/1996	Carbone
5,253,807 A	10/1993	Newbegin	D368,146 S	3/1996	Carbone
5,254,809 A	10/1993	Martin	D368,317 S	3/1996	Swyst
D341,007 S	11/1993	Haug et al.	5,499,767 A	3/1996	Morand
D341,191 S	11/1993	Klose	D368,539 S	4/1996	Carbone et al.
D341,220 S	11/1993	Eagan	D368,540 S	4/1996	Santarsiero
5,263,646 A	11/1993	McCauley	D368,541 S	4/1996	Kaiser et al.
5,265,833 A	11/1993	Heimann et al.	D368,542 S	4/1996	deBlois et al.
5,268,826 A	12/1993	Greene	D369,204 S	4/1996	Andrus
5,276,596 A	1/1994	Krenzel	D369,205 S	4/1996	Andrus
5,277,391 A	1/1994	Haug et al.	5,507,436 A	4/1996	Ruttenberg
5,286,071 A	2/1994	Storage	D369,873 S	5/1996	deBlois et al.
5,288,110 A	2/1994	Allread	D369,874 S	5/1996	Santarsiero
5,294,054 A	3/1994	Benedict et al.	D369,875 S	5/1996	Carbone
5,297,735 A	3/1994	Heimann et al.	D370,052 S	5/1996	Chan et al.
5,297,739 A	3/1994	Allen	D370,250 S	5/1996	Fawcett et al.
D345,811 S	4/1994	Van Deursen et al.	D370,277 S	5/1996	Kaiser
D346,426 S	4/1994	Warshawsky	D370,278 S	5/1996	Nolan
D346,428 S	4/1994	Warshawsky	D370,279 S	5/1996	deBlois

# US D581,014 S

Page 5

D370,280 S	5/1996	Kaiser	D392,369 S	3/1998	Chan
D370,281 S	5/1996	Johnstone et al.	5,730,361 A	3/1998	Thonnes
5,517,392 A	5/1996	Rouso et al.	5,730,362 A	3/1998	Cordes
5,521,803 A	5/1996	Eckert et al.	5,730,363 A	3/1998	Kress
D370,542 S	6/1996	Santarsiero	5,742,961 A	4/1998	Casperson et al.
D370,735 S	6/1996	deBlois	D394,490 S	5/1998	Andrus et al.
D370,987 S	6/1996	Santarsiero	5,746,375 A	5/1998	Guo
D370,988 S	6/1996	Santarsiero	5,749,552 A	5/1998	Fan
D371,448 S	7/1996	Santarsiero	5,749,602 A	5/1998	Delaney et al.
D371,618 S	7/1996	Nolan	D394,899 S	6/1998	Caroen et al.
D371,619 S	7/1996	Szymanski	D395,074 S	6/1998	Neibrook
D371,856 S	7/1996	Carbone	D395,075 S	6/1998	Kolada
D372,318 S	7/1996	Szymanski	D395,142 S	6/1998	Neibrook
D372,319 S	7/1996	Carbone	5,765,760 A	6/1998	Kuo
5,531,625 A	7/1996	Zhong	5,769,802 A	6/1998	Wang
5,539,624 A	7/1996	Dougherty	5,772,120 A	6/1998	Huber
D372,548 S	8/1996	Carbone	5,778,939 A	7/1998	Hok-Yin
D372,998 S	8/1996	Carbone	5,788,157 A	8/1998	Kress
D373,210 S	8/1996	Santarsiero	D398,370 S	9/1998	Purdy
D373,434 S	9/1996	Nolan	5,806,771 A	9/1998	Loschelder et al.
D373,435 S	9/1996	Nolan	5,819,791 A	10/1998	Chronister et al.
D373,645 S	9/1996	Johnstone et al.	5,820,574 A	10/1998	Henkin et al.
D373,646 S	9/1996	Szymanski et al.	5,823,431 A	10/1998	Pierce
D373,647 S	9/1996	Kaiser	5,823,442 A	10/1998	Guo
D373,648 S	9/1996	Kaiser	5,839,666 A	11/1998	Heimann et al.
D373,649 S	9/1996	Carbone	D402,350 S	12/1998	Andrus
D373,651 S	9/1996	Szymanski	D404,116 S	1/1999	Bosio
D373,652 S	9/1996	Kaiser	5,855,348 A	1/1999	Fornara
5,551,637 A	9/1996	Lo	5,860,599 A	1/1999	Lin
5,552,973 A	9/1996	Hsu	5,862,543 A	1/1999	Reynoso et al.
5,558,278 A	9/1996	Gallorini	5,862,985 A	1/1999	Neibrook et al.
D374,271 S	10/1996	Fleischmann	D405,502 S	2/1999	Tse
D374,297 S	10/1996	Kaiser	5,865,375 A	2/1999	Hsu
D374,298 S	10/1996	Swyst	5,865,378 A	2/1999	Hollinshead et al.
D374,299 S	10/1996	Carbone	5,873,647 A	2/1999	Kurtz et al.
D374,493 S	10/1996	Szymanski	D408,893 S	4/1999	Tse
D374,494 S	10/1996	Santarsiero	D409,276 S	5/1999	Ratzlaff
D374,732 S	10/1996	Kaiser	D410,276 S	5/1999	Ben-Tsur
D374,733 S	10/1996	Santarsiero	5,918,809 A	7/1999	Simmons
5,560,548 A	10/1996	Mueller et al.	5,918,811 A	7/1999	Denham et al.
5,567,115 A	10/1996	Carbone	D413,157 S	8/1999	Ratzlaff
D375,541 S	11/1996	Michaluk	5,937,905 A	8/1999	Santos
5,577,664 A	11/1996	Heitzman	5,947,388 A	9/1999	Woodruff
D376,217 S	12/1996	Kaiser	D415,247 S	10/1999	Haverstraw et al.
D376,860 S	12/1996	Santarsiero	5,961,046 A	10/1999	Joubran
D376,861 S	12/1996	Johnstone et al.	5,979,776 A	11/1999	Williams
D376,862 S	12/1996	Carbone	5,992,762 A	11/1999	Wang
5,605,173 A	2/1997	Arnaud	D418,200 S	12/1999	Ben-Tsur
D378,401 S	3/1997	Neufeld et al.	5,997,047 A	12/1999	Pimentel et al.
5,613,638 A	3/1997	Blessing	6,003,165 A	12/1999	Loyd
5,613,639 A	3/1997	Storm et al.	D418,902 S	1/2000	Haverstraw et al.
5,615,837 A	4/1997	Roman	D418,903 S	1/2000	Haverstraw et al.
5,624,074 A	4/1997	Parisi	D418,904 S	1/2000	Milrud
5,624,498 A	4/1997	Lee et al.	D421,099 S	2/2000	Mullenmeister
D379,212 S	5/1997	Chan	6,021,960 A	2/2000	Kehat
D379,404 S	5/1997	Spelts	D422,053 S	3/2000	Brenner et al.
5,632,049 A	5/1997	Chen	6,042,027 A	3/2000	Sandvik
D381,405 S	7/1997	Waidele et al.	6,042,155 A	3/2000	Lockwood
D381,737 S	7/1997	Chan	D422,336 S	4/2000	Haverstraw et al.
D382,936 S	8/1997	Shfaram	D422,337 S	4/2000	Chan
5,653,260 A	8/1997	Huber	D423,083 S	4/2000	Haug et al.
5,667,146 A	9/1997	Pimentel et al.	D423,110 S	4/2000	Cipkowski
D385,332 S	10/1997	Andrus	D424,160 S	5/2000	Haug et al.
D385,333 S	10/1997	Caroen et al.	D424,161 S	5/2000	Haug et al.
D385,334 S	10/1997	Caroen et al.	D424,162 S	5/2000	Haug et al.
D385,616 S	10/1997	Dow et al.	D424,163 S	5/2000	Haug et al.
D385,947 S	11/1997	Dow et al.	D427,661 S	7/2000	Haverstraw et al.
D387,230 S	12/1997	von Buelow et al.	D428,110 S	7/2000	Haug et al.
5,699,964 A	12/1997	Bergmann et al.	D428,125 S	7/2000	Chan
5,702,057 A	12/1997	Huber	6,085,780 A	7/2000	Morris
D389,558 S	1/1998	Andrus	D430,267 S	8/2000	Milrud et al.
5,704,080 A	1/1998	Kuhne	6,095,801 A	8/2000	Spiewak
5,718,380 A	2/1998	Schorn et al.	D430,643 S	9/2000	Tse

# US D581,014 S

Page 6

6,123,272 A	9/2000	Havican et al.	D486,888 S	2/2004	Lobermeier	
6,123,308 A	9/2000	Faisst	6,691,338 B2	2/2004	Zieger	
D432,624 S	10/2000	Chan	D487,301 S	3/2004	Haug et al.	
D432,625 S	10/2000	Chan	D487,498 S	3/2004	Blomstrom	
D433,096 S	10/2000	Tse	6,701,953 B2	3/2004	Agosta	
D433,097 S	10/2000	Tse	D490,498 S	5/2004	Golichowski	
6,126,091 A	10/2000	Heitzman	6,739,523 B2	5/2004	Haverstraw et al.	
6,126,290 A	10/2000	Veigel	D492,004 S	6/2004	Haug et al.	
D434,109 S	11/2000	Ko	D492,007 S	6/2004	Kollmann et al.	
6,164,569 A	12/2000	Hollinshead et al.	6,742,725 B1	6/2004	Fan	
6,164,570 A	12/2000	Smeltzer	D493,208 S	7/2004	Lin	
D435,889 S	1/2001	Ben-Tsur et al.	D494,661 S	8/2004	Zieger et al.	
6,199,580 B1	3/2001	Morris	D496,987 S	10/2004	Glunk	
6,202,679 B1	3/2001	Titus	D497,974 S	11/2004	Haug et al.	
D441,059 S	4/2001	Fleischmann	D498,514 S	11/2004	Haug et al.	
D443,025 S	5/2001	Kollmann et al.	D500,121 S	12/2004	Blomstrom	
D443,027 S	5/2001	Kollmann et al.	D500,547 S	1/2005	Blomstrom	
D443,029 S	5/2001	Kollmann et al.	D500,549 S	1/2005	Blomstrom	
6,223,998 B1	5/2001	Heitzman	D501,242 S	1/2005	Blomstrom	
6,230,984 B1	5/2001	Jager	D502,760 S	3/2005	Zieger et al.	
6,230,988 B1	5/2001	Chao et al.	D502,761 S	3/2005	Zieger et al.	
6,230,989 B1	5/2001	Haverstraw et al.	D503,774 S	4/2005	Zieger	
6,250,572 B1	6/2001	Chen	D503,775 S	4/2005	Zieger	
D445,871 S	7/2001	Fan	D503,966 S	4/2005	Zieger	
6,254,014 B1	7/2001	Clearman et al.	D506,243 S	6/2005	Wu	
6,270,278 B1	8/2001	Mauro	D507,037 S	7/2005	Wu	
6,276,004 B1	8/2001	Bertrand et al.	D509,280 S	9/2005	Bailey et al.	
6,283,447 B1	9/2001	Fleet	D509,563 S	9/2005	Bailey et al.	
6,286,764 B1	9/2001	Garvey et al.	D510,123 S *	9/2005	Tsai .....	D23/223
D450,370 S	11/2001	Wales et al.	6,981,661 B1	1/2006	Chen	
D450,805 S	11/2001	Lindholm et al.	D520,109 S	5/2006	Wu	
D450,806 S	11/2001	Lindholm et al.	7,055,767 B1	6/2006	Ko	
D450,807 S	11/2001	Lindholm et al.	7,070,125 B2	7/2006	Williams et al.	
D451,169 S	11/2001	Lindholm et al.	D527,440 S	8/2006	Macan	
D451,170 S	11/2001	Lindholm et al.	D528,631 S *	9/2006	Gillette et al. ....	D23/223
D451,171 S	11/2001	Lindholm et al.	7,100,845 B1	9/2006	Hsieh	
D451,172 S	11/2001	Lindholm et al.	7,111,798 B2	9/2006	Thomas et al.	
6,321,777 B1	11/2001	Wu	7,114,666 B2	10/2006	Luettgen et al.	
D451,583 S	12/2001	Lindholm et al.	D533,253 S	12/2006	Luettgen et al.	
D451,980 S	12/2001	Lindholm et al.	D534,239 S	12/2006	Dingler et al.	
D452,553 S	12/2001	Lindholm et al.	7,156,325 B1	1/2007	Chen	
D452,725 S	1/2002	Lindholm et al.	D556,295 S	11/2007	Genord et al.	
D452,897 S	1/2002	Gillette et al.	D562,941 S *	2/2008	Pan .....	D23/223
D453,370 S	2/2002	Lindholm et al.	D565,699 S	4/2008	Berberet	
D453,551 S	2/2002	Lindholm et al.	2005/0061896 A1	3/2005	Luettgen et al.	
6,349,735 B2	2/2002	Gul	2005/0082824 A1	4/2005	Luettgen et al.	
D454,938 S	3/2002	Lord	2006/0016913 A1	1/2006	Williams et al.	
6,375,342 B1	4/2002	Koren et al.	2006/0043214 A1	3/2006	Macan et al.	
D457,937 S	5/2002	Lindholm et al.	2007/0119980 A1	5/2007	Somerfield et al.	
D458,348 S	6/2002	Mullenmeister	2007/0246577 A1	10/2007	Leber	
D461,224 S	8/2002	Lobermeier	2007/0272770 A1	11/2007	Leber et al.	
D461,878 S	8/2002	Green et al.	2008/0083844 A1	4/2008	Leber et al.	
6,450,425 B1	9/2002	Chen				
6,454,186 B2	9/2002	Haverstraw et al.				
6,464,265 B1	10/2002	Mikol				
D465,552 S	11/2002	Tse	CH	234284	3/1963	
D465,553 S	11/2002	Singtoroj	DE	352813	5/1922	
6,484,952 B2	11/2002	Koren	DE	848627	9/1952	
D468,800 S	1/2003	Tse	DE	854100	10/1952	
D469,165 S	1/2003	Lim	DE	2360534	6/1974	
6,502,796 B1	1/2003	Wales	DE	2806093	8/1979	
D470,219 S	2/2003	Schweitzer	DE	3107808	9/1982	
6,515,070 B2	2/2003	Kobylanska et al.	DE	3246327	6/1984	
D471,253 S	3/2003	Tse	DE	3440901	7/1985	
D471,953 S	3/2003	Colligan et al.	DE	3706320	3/1988	
6,533,194 B2	3/2003	Marsh et al.	DE	8804236	6/1988	
6,550,697 B2	4/2003	Lai	DE	4034695	5/1991	
6,607,148 B1	8/2003	Marsh et al.	DE	19608085	9/1996	
6,611,971 B1	9/2003	Antoniello et al.	EP	0167063	6/1985	
6,637,676 B2	10/2003	Zieger et al.	EP	0478999	4/1992	
6,641,057 B2	11/2003	Thomas et al.	EP	0514753	11/1992	
6,659,117 B2	12/2003	Gilmore	EP	0617644	11/1992	
D485,887 S	1/2004	Luettgen et al.	EP	0683354	11/1995	
FOREIGN PATENT DOCUMENTS						

# US D581,014 S

Page 7

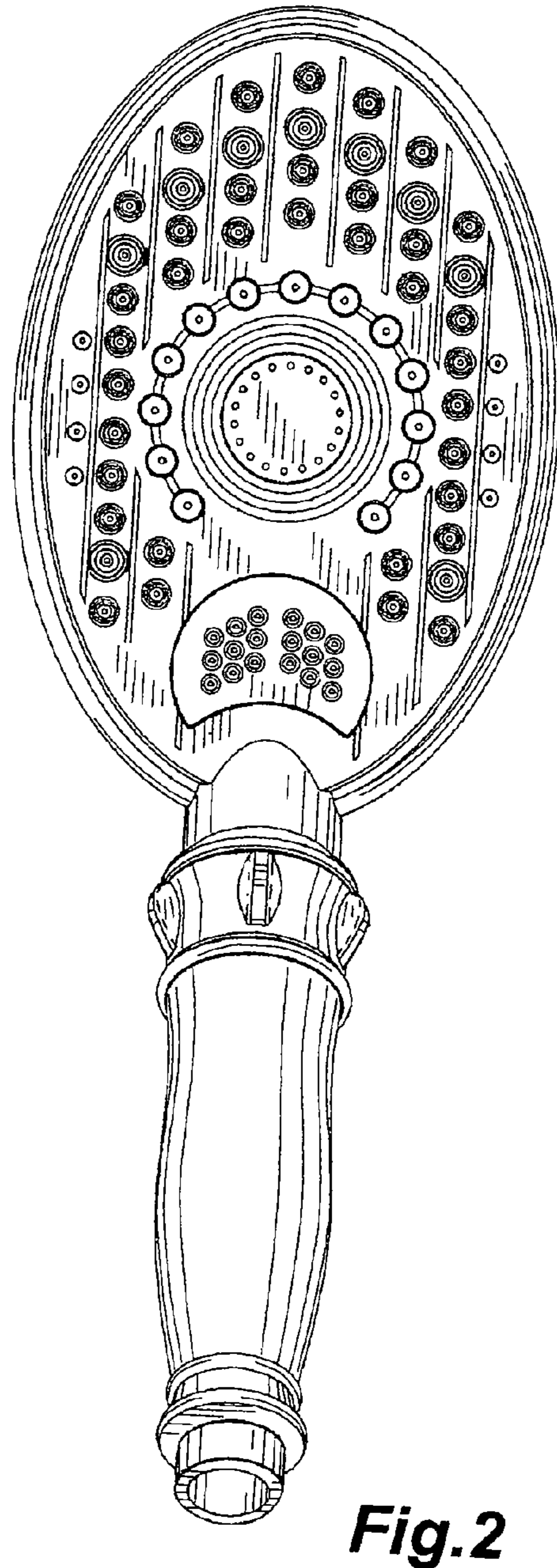
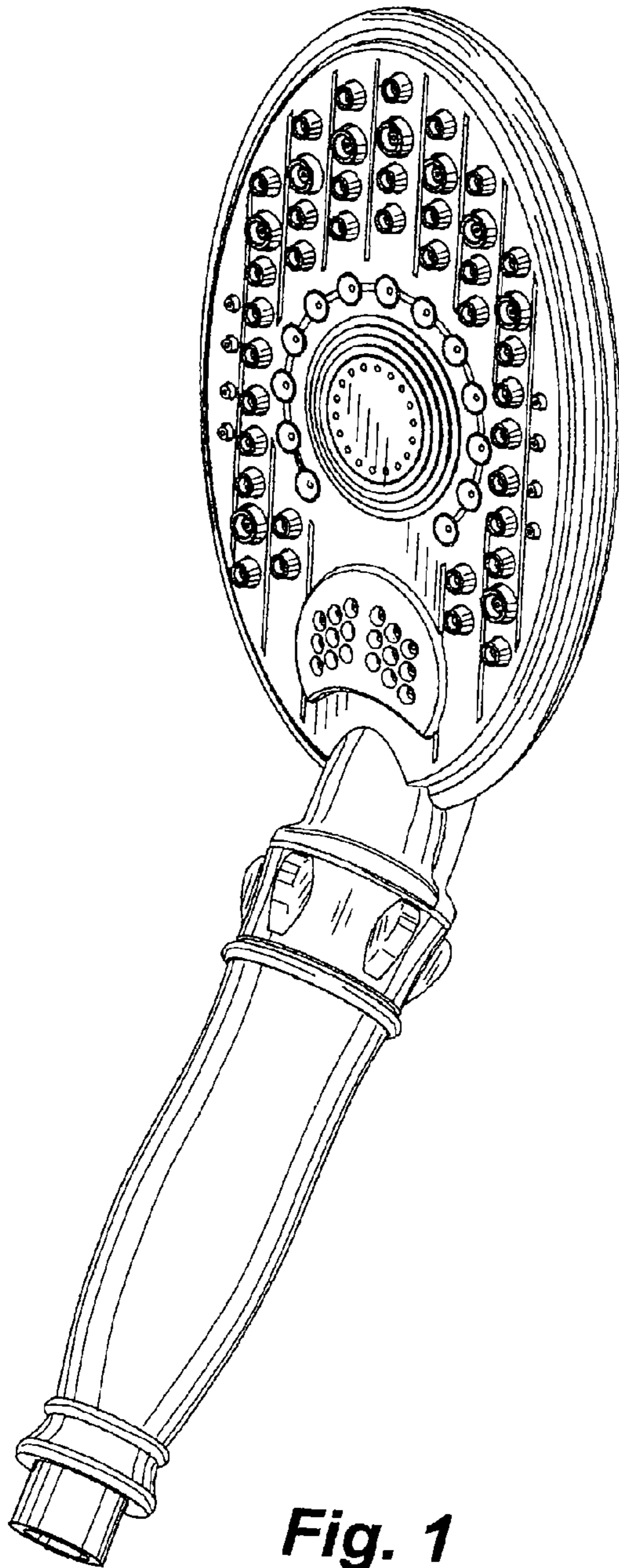
---

EP	0687851	12/1995	GB	2121319	12/1983
EP	0696907	2/1996	GB	2155984	10/1985
EP	0719588	7/1996	GB	2156932 A	10/1985
EP	0721082	7/1996	GB	2199771	7/1988
EP	0733747	9/1996	GB	2298595	11/1996
EP	0808661	11/1997	IT	327400	7/1935
EP	0726811	1/1998	IT	350359	7/1937
FR	538538	6/1922	IT	563459	5/1957
FR	873808	7/1942	JP	S63-181459	11/1988
FR	1039750	10/1953	JP	H2-78660	6/1990
FR	1098836	8/1955	JP	4062238	2/1992
FR	2596492	10/1987	JP	4146708	5/1992
FR	2695452	3/1994	NL	8902957	6/1991
GB	3314	0/1914	WO	WO93/12894	7/1993
GB	10086	0/1894	WO	WO93/25839	12/1993
GB	129812	7/1919	WO	WO98/30336	7/1998
GB	204600	10/1923			
GB	634483	3/1950			
GB	971866	10/1964			
GB	1111126	4/1968			
GB	2066074	1/1980			
GB	2066704	7/1981			
GB	2068778	8/1981			

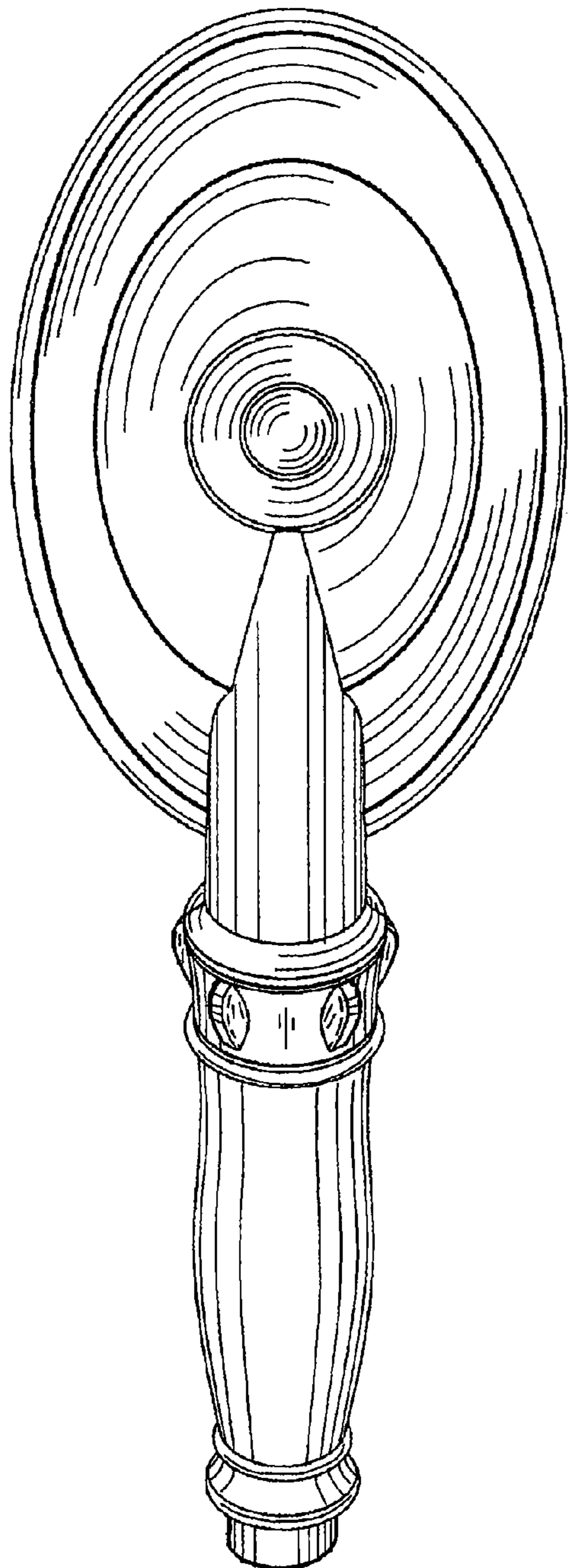
## OTHER PUBLICATIONS

Color Copy, Labeled 1B, Gemlo, available at least as early as Dec. 2, 1998.

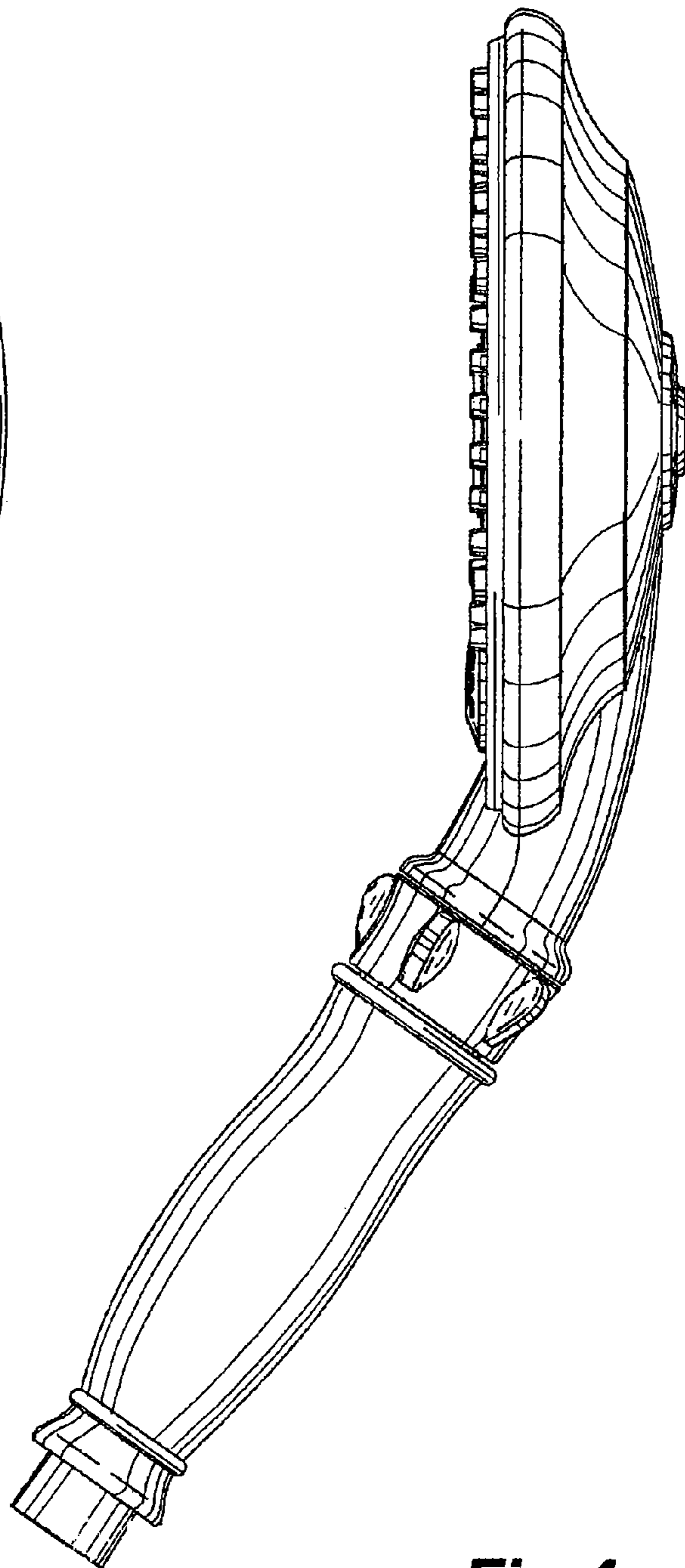
\* cited by examiner



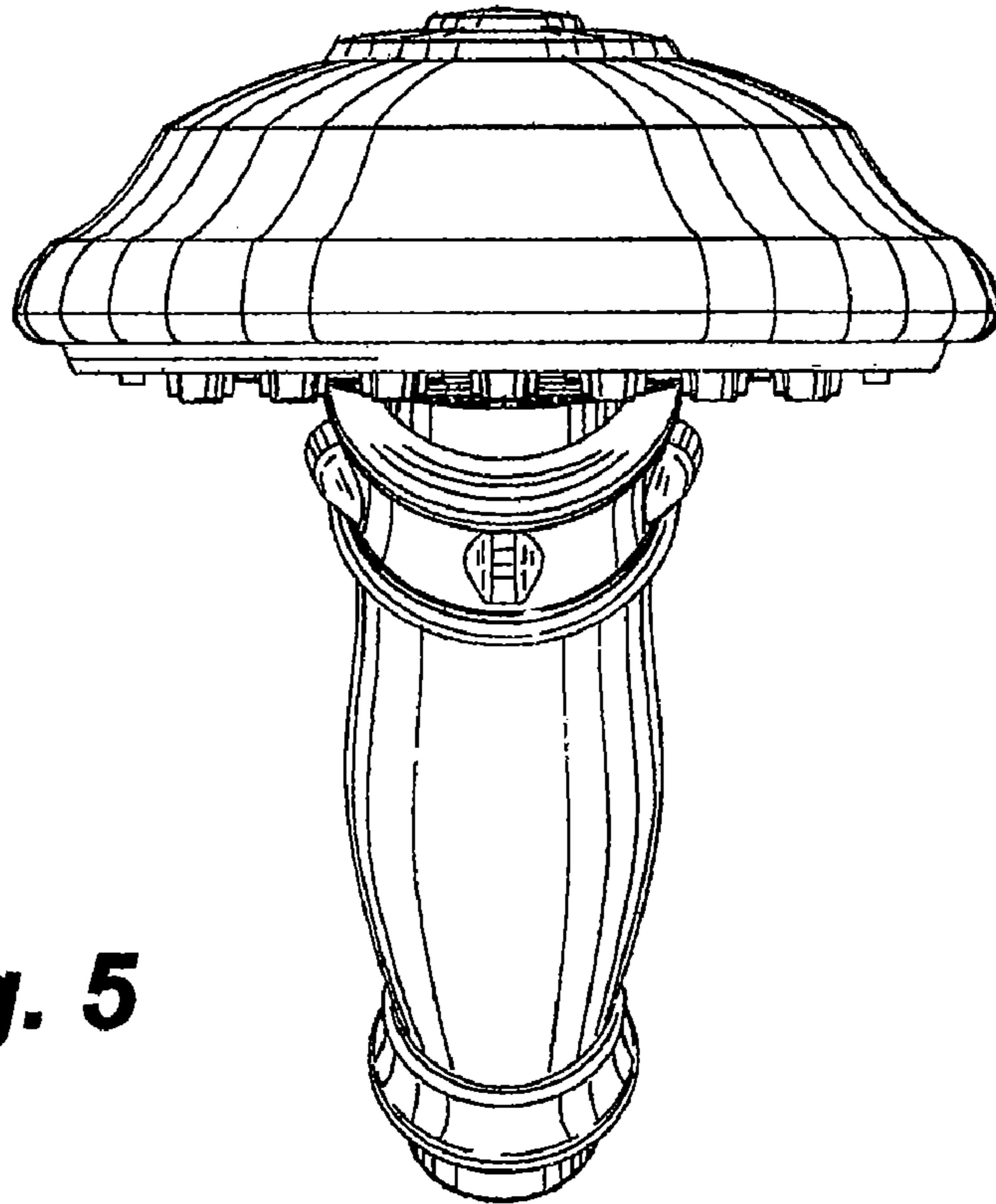




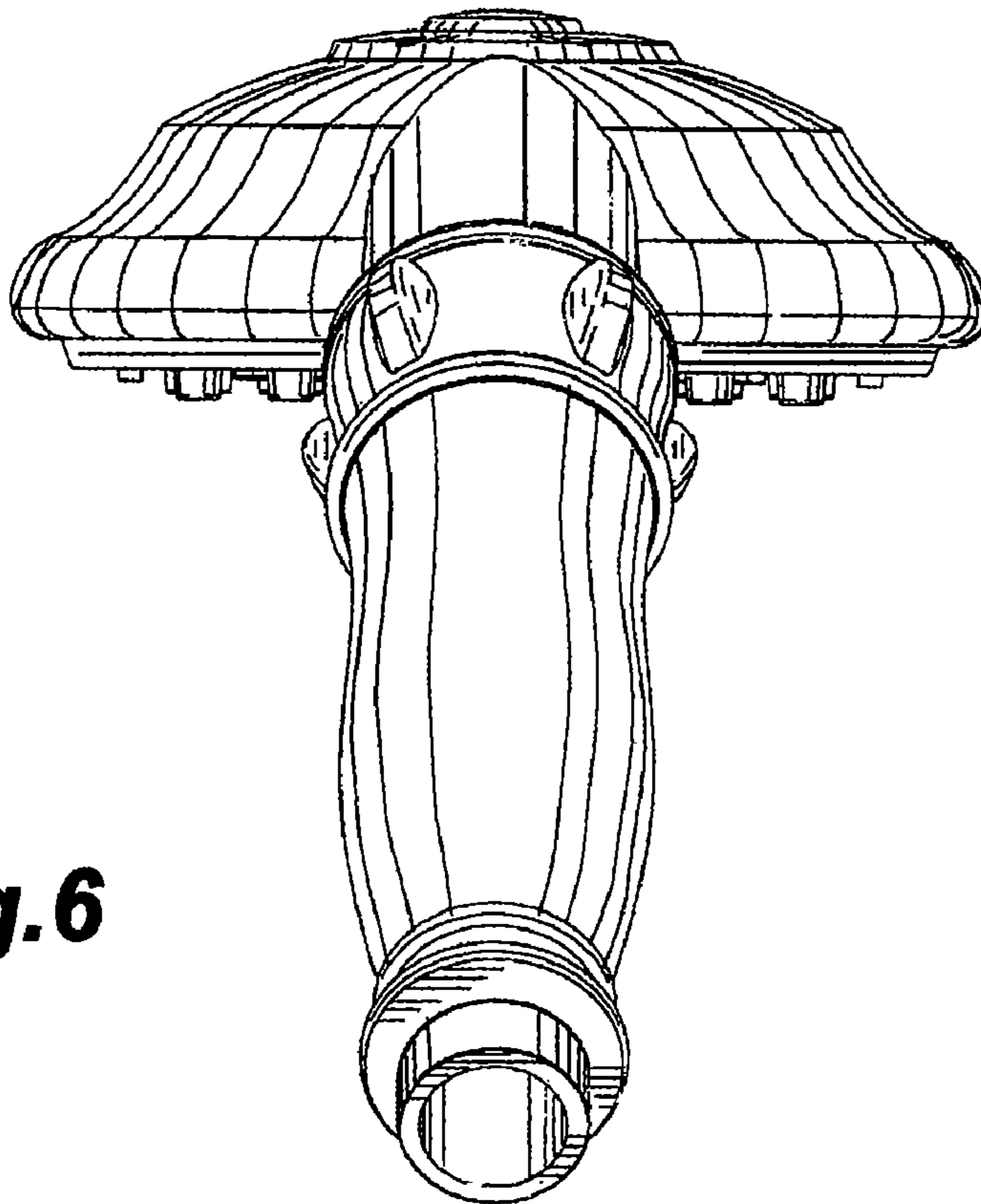
**Fig. 3**



**Fig. 4**



**Fig. 5**



**Fig. 6**