



US00D581013S

(12) **United States Design Patent**
Citterio

(10) **Patent No.:** **US D581,013 S**
(45) **Date of Patent:** **** Nov. 18, 2008**

(54) **SHOWERHEAD**

D555,769 S * 11/2007 Lee D23/229

(75) Inventor: **Antonio Citterio**, Milan (IT)

(73) Assignee: **Ransgrohe AG** (DE)

(**) Term: **14 Years**

(21) Appl. No.: **29/305,025**

(22) Filed: **Mar. 12, 2008**

(30) **Foreign Application Priority Data**

Sep. 24, 2007 (EM) 000795232-0003

(51) **LOC (8) Cl.** **23-01**

(52) **U.S. Cl.** **D23/213**

(58) **Field of Classification Search** D23/213,

D23/229, 230, 223; 239/282-3, 462

See application file for complete search history.

(56) **References Cited**

U.S. PATENT DOCUMENTS

D465,551 S * 11/2002 Tse D23/229

D511,810 S * 11/2005 Hanna D23/229

D524,904 S * 7/2006 Hoernig D23/213

7,077,342 B2 * 7/2006 Lee 239/589

7,093,780 B1 * 8/2006 Chung 239/587.1

D531,261 S * 10/2006 Tse D23/213

OTHER PUBLICATIONS

Nikles Inter AG—Lux Model 4005QA, 2006.

Visentin—Model spazio doccia, 2004.

* cited by examiner

Primary Examiner—Robin V Webster

(74) *Attorney, Agent, or Firm*—Leon E. Redman; Lloyd D. Doigan

(57) **CLAIM**

The ornamental design for a showerhead, as shown and described.

DESCRIPTION

FIG. 1 is a top perspective view of a showerhead showing my design;

FIG. 2 is a front elevational view thereof;

FIG. 3 is a rear elevational view thereof;

FIG. 4 is a left side elevational view thereof; the right side elevational view being a mirror image thereof;

FIG. 5 is a top plan view thereof; and,

FIG. 6 is a bottom plan view thereof.

The broken lines in the Figures are for illustrative purposes only and form no part of the claimed design.

1 Claim, 6 Drawing Sheets

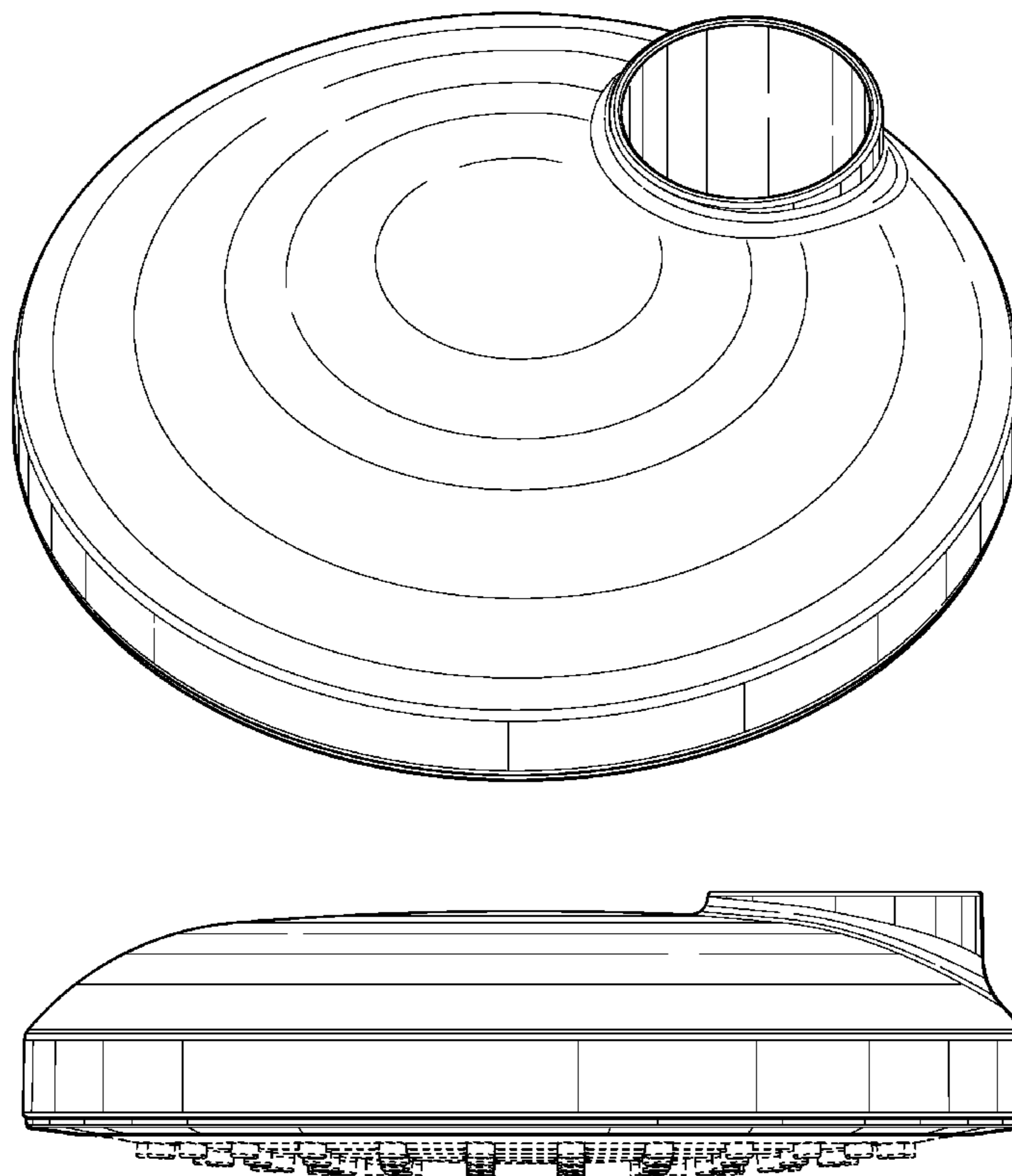


FIG. 1

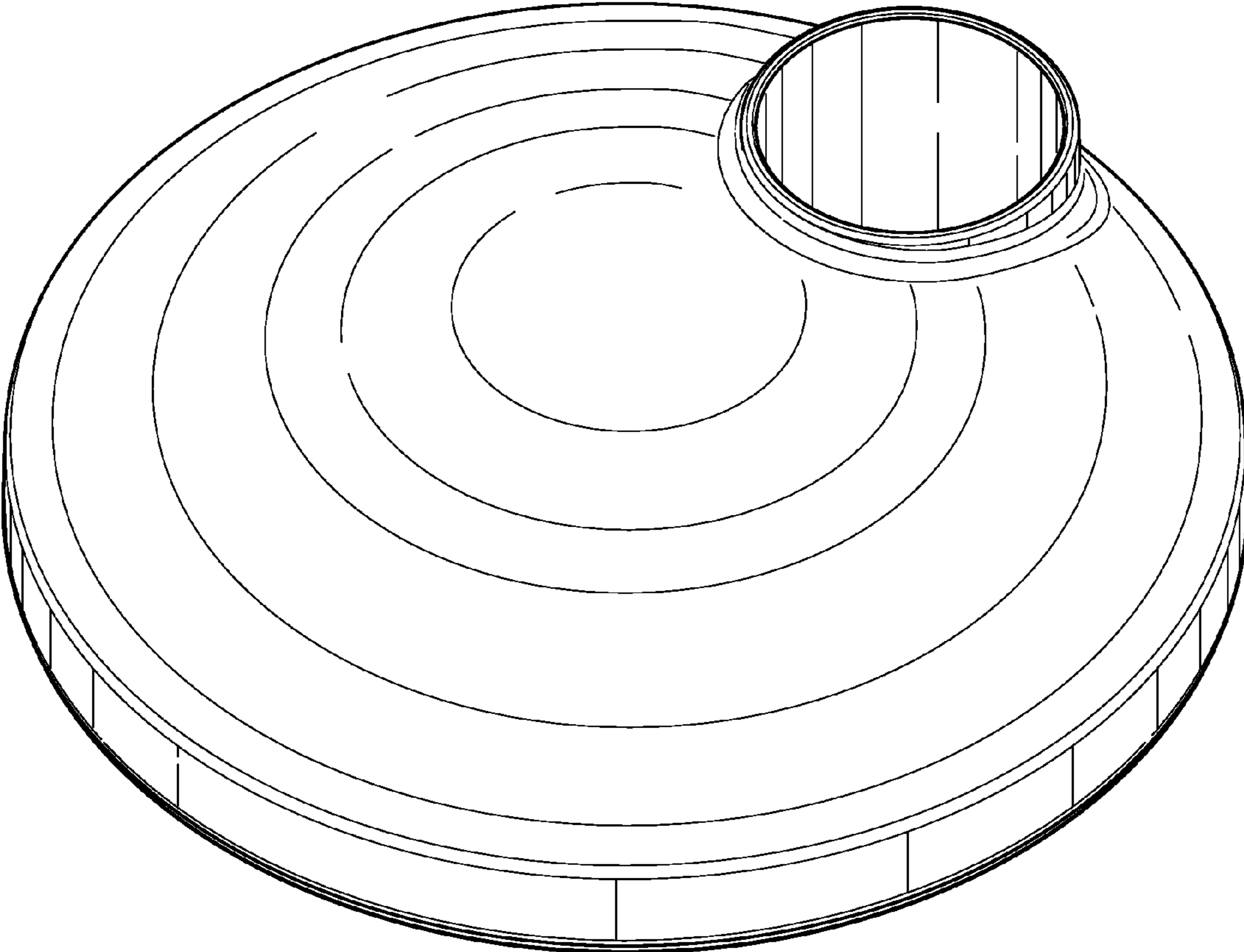


FIG. 2

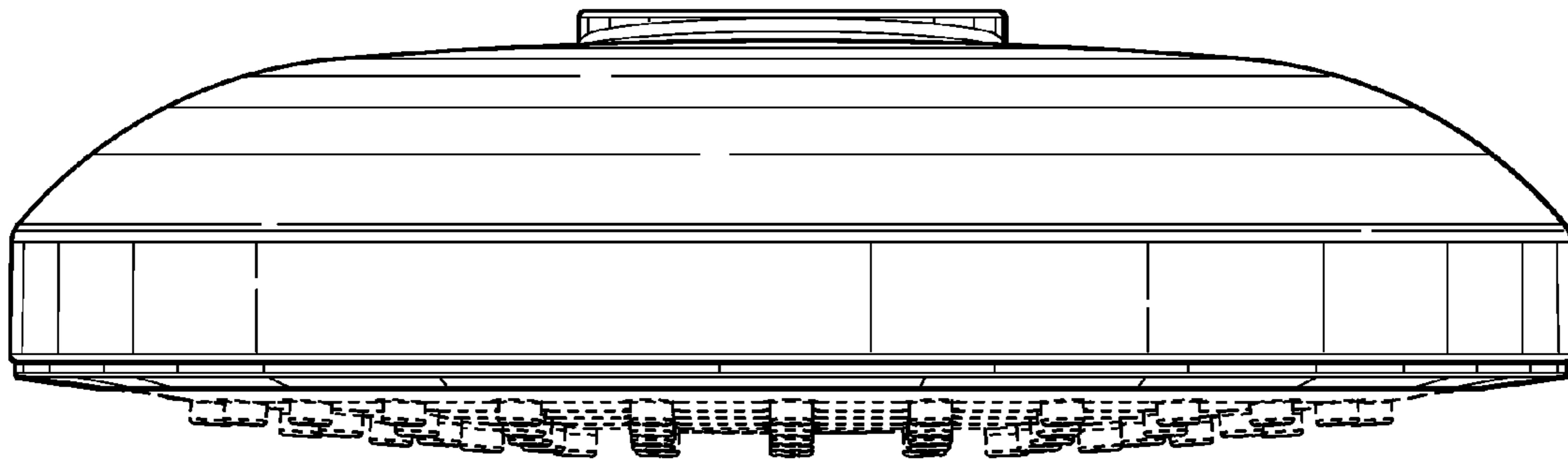


FIG. 3

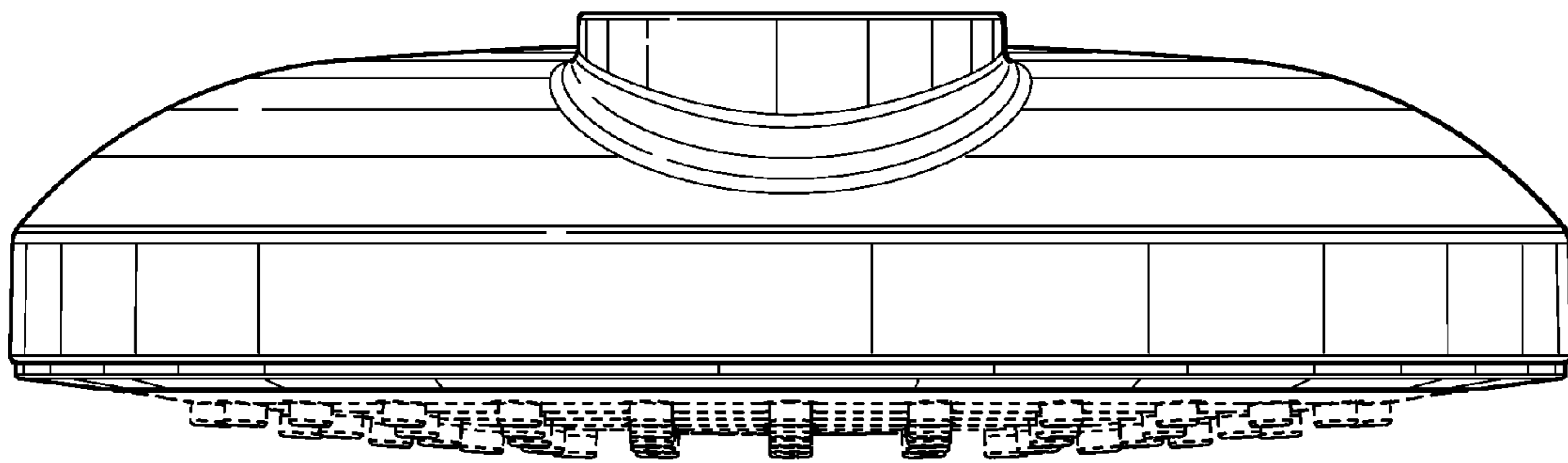


FIG. 4

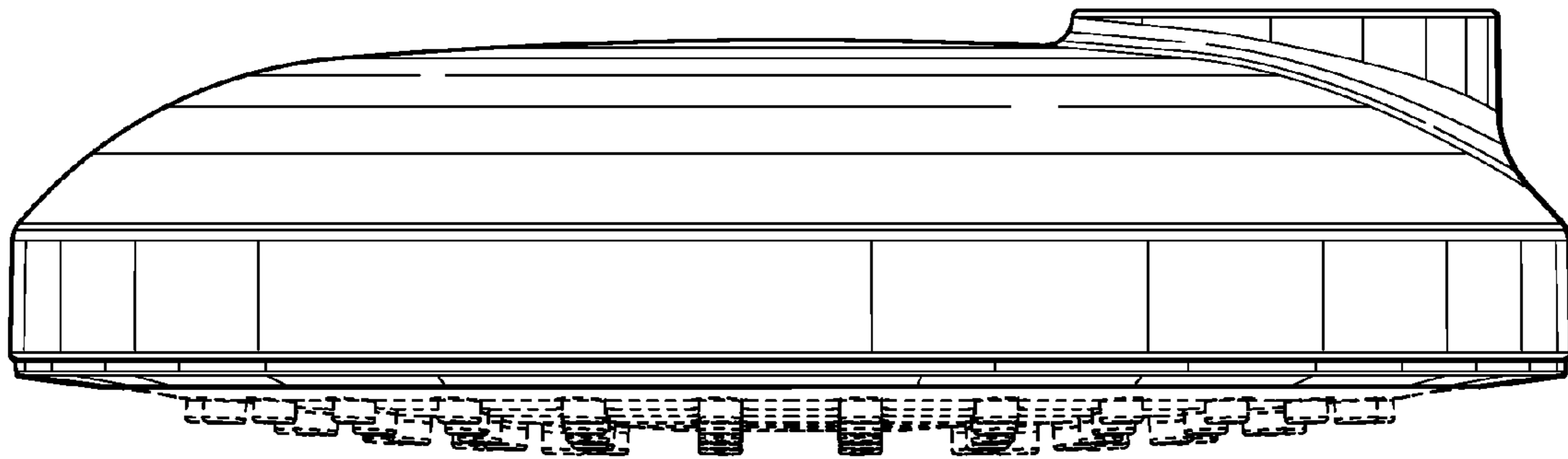


FIG. 5

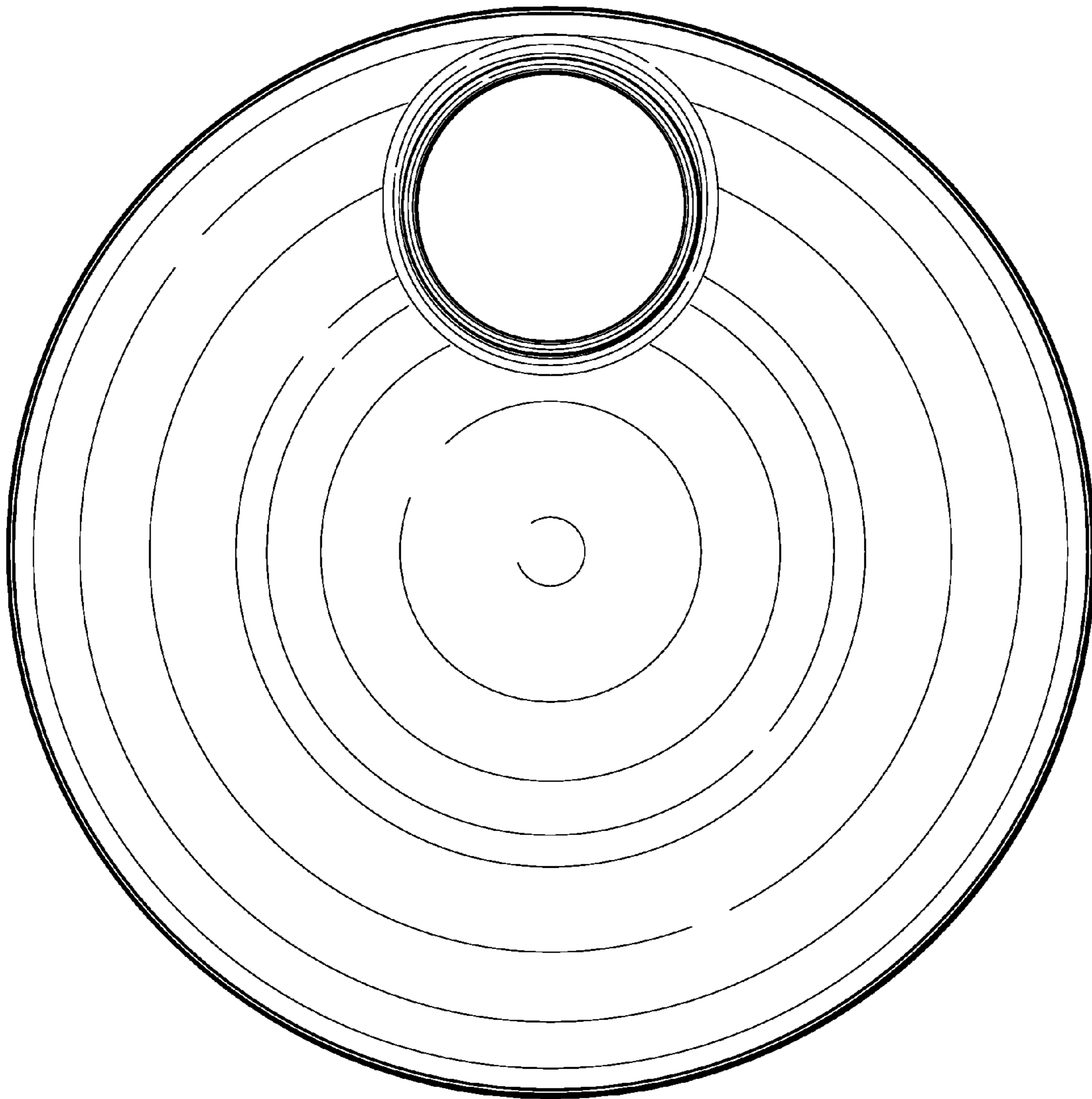


FIG. 6

