



US00D581010S

(12) **United States Design Patent**  
**Sparks et al.**

(10) **Patent No.:** **US D581,010 S**

(45) **Date of Patent:** **\*\* Nov. 18, 2008**

(54) **BOTTLE HOLDER**

D481,896 S 11/2003 Shaanan

(75) Inventors: **Evan A. Sparks**, Madison, WI (US);  
**Timothy R. Ordiway**, Racine, WI (US);  
**Stephen B. Leonard**, Franksville, WI  
(US); **Douglas James Birkholz**,  
Madison, WI (US)

(Continued)

*Primary Examiner*—Brian N Vinson

(57) **CLAIM**

(73) Assignee: **S.C. Johnson & Son, Inc.**, Racine, WI  
(US)

The ornamental design for a bottle holder, as shown and described.

(\*\*) Term: **14 Years**

**DESCRIPTION**

(21) Appl. No.: **29/289,752**

In a preferred embodiment, the nature of the product is a holder for a bottle suitable to be placed in a bathroom. In a most preferred form, the holder also dispenses fluid from the bottle in an automated fashion.

(22) Filed: **Jul. 31, 2007**

(51) **LOC (8) Cl.** ..... **23-01**

FIG. 1 is a top, right, front perspective view of a bottle holder embodying our new design;

(52) **U.S. Cl.** ..... **D23/208**

FIG. 2 is a front elevational view thereof;

(58) **Field of Classification Search** ..... D23/207,

FIG. 3 is a right elevational view thereof;

D23/208; 4/223, 231, 225.1, 227.1

FIG. 4 is a left elevational view thereof;

See application file for complete search history.

FIG. 5 is a rear elevational view thereof;

(56) **References Cited**

**U.S. PATENT DOCUMENTS**

3,342,379 A	9/1967	Foley
D217,872 S	6/1970	Sessions
D228,994 S	11/1973	Reinecke et al.
RE32,017 E	11/1985	Hautmann et al.
4,555,819 A	12/1985	Weiss et al.
4,560,108 A	12/1985	Rubinstein
4,660,765 A	4/1987	Rosenberg
4,763,839 A	8/1988	Greenberg
4,817,869 A	4/1989	Rubinstein
D419,347 S	1/2000	Leonard
D423,639 S	4/2000	Leonard
D436,160 S	1/2001	Leonard et al.
6,178,564 B1	1/2001	Leonard et al.
6,230,334 B1	5/2001	Camp et al.
D444,978 S	7/2001	Kauzlarich et al.
6,389,610 B1	5/2002	Hautmann et al.
6,434,758 B2	8/2002	Camp et al.
6,505,356 B1	1/2003	Leonard et al.
6,519,783 B2	2/2003	Falchieri
D477,956 S	8/2003	Gridale et al.

FIG. 6 is a top plan view thereof;

FIG. 7 is a bottom plan view thereof;

FIG. 8 is a top, right, front perspective view of a second embodiment of a bottle holder embodying our new design, the top plan view being identical to the view of FIG. 6, and the bottom plan view being identical to the view of FIG. 7;

FIG. 9 is a front elevational view thereof;

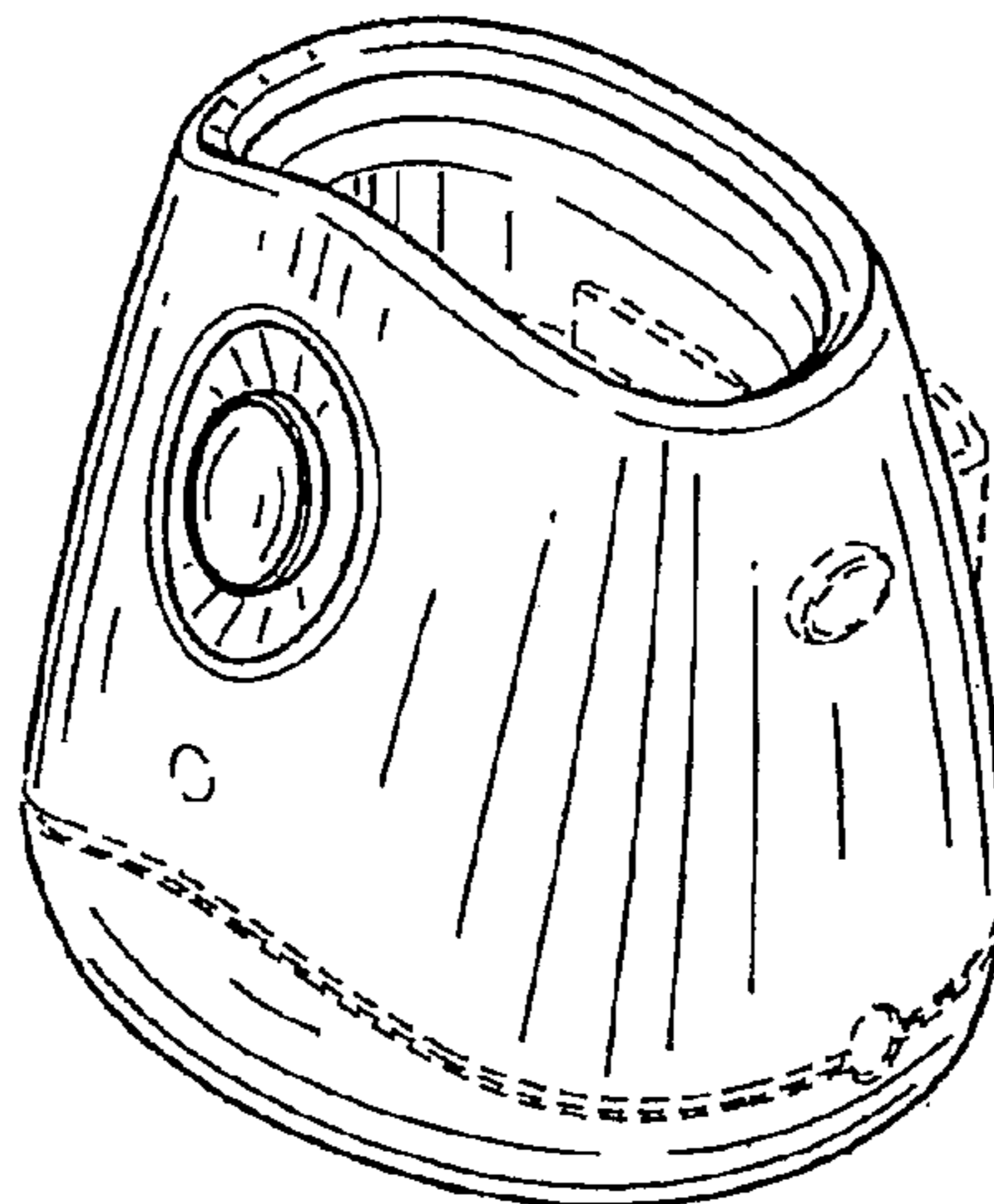
FIG. 10 is a right elevational view thereof;

FIG. 11 is a left elevational view thereof; and,

FIG. 12 is a rear elevational view thereof.

The broken line representations of a push button, bottle holder mating structure, light, screw hole, bottle receiving wall structure, bottle holder support structures, hook mounting structure, and bottle mounting structure in the views are for illustrative purposes only and form no part of the claimed design.

**1 Claim, 9 Drawing Sheets**



# US D581,010 S

Page 2

---

## U.S. PATENT DOCUMENTS

6,651,261	B1	11/2003	Leonard et al.	7,021,494	B2	4/2006	Mazooji et al.
6,691,329	B2	2/2004	Slade	7,114,199	B2	10/2006	Conway et al.
D498,566	S *	11/2004	Schick et al. ....	D540,907	S	4/2007	Liu
			..... D23/208	7,234,175	B2	6/2007	Wilson et al.
6,820,821	B2	11/2004	Linstedt et al.	D565,693	S *	4/2008	Keramidas ..... D23/208
D499,295	S	12/2004	Grisdale et al.	D568,960	S *	5/2008	Cheung et al. .... D23/208
6,898,806	B2	5/2005	Keramidas	2002/0083514	A1	7/2002	Lhoste
D508,549	S *	8/2005	Keramidas ..... D23/208	2007/0136937	A1	6/2007	Sawalski et al.
6,976,277	B2	12/2005	Keramidas				

\* cited by examiner

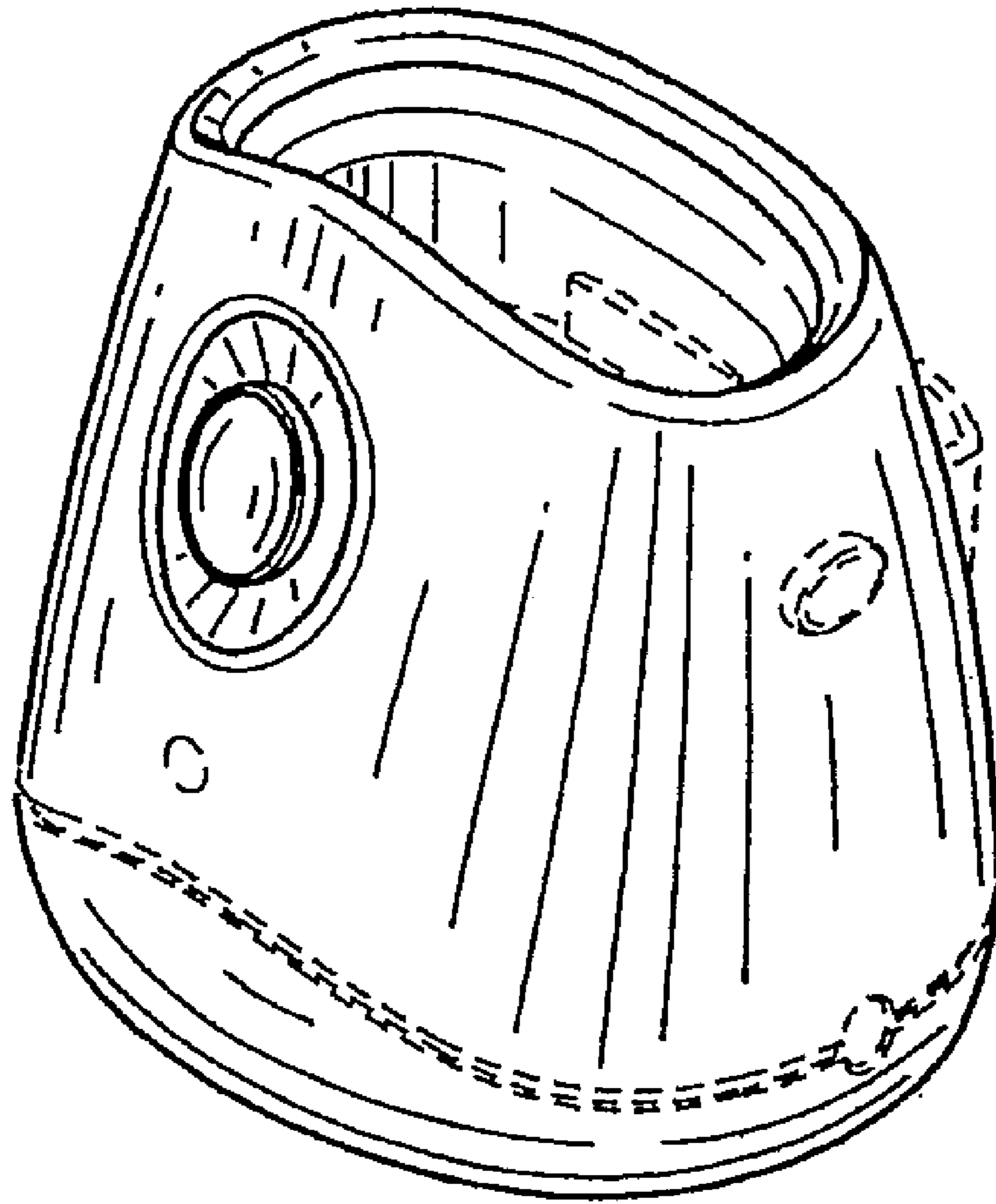


FIG. 1

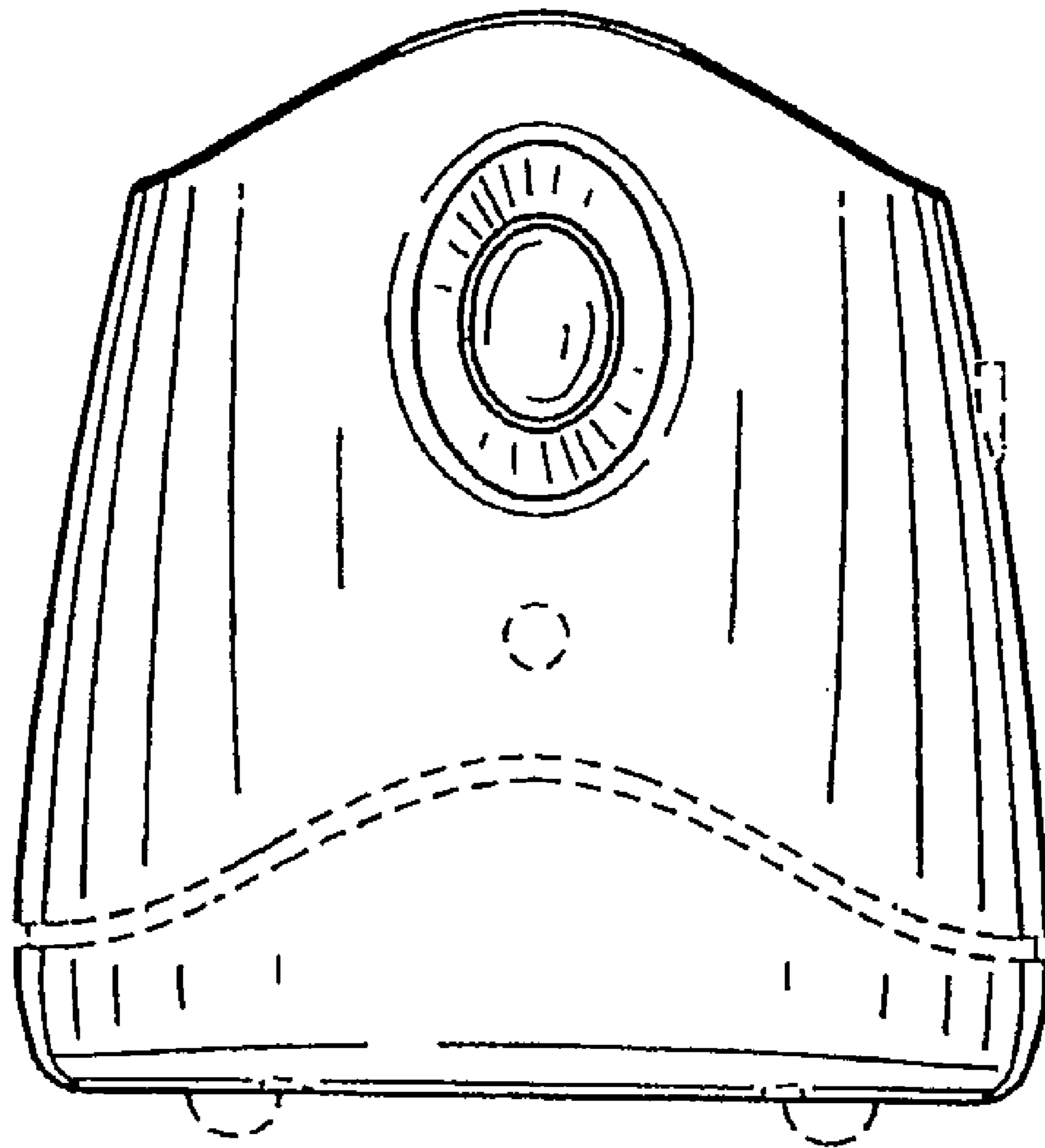


FIG. 2

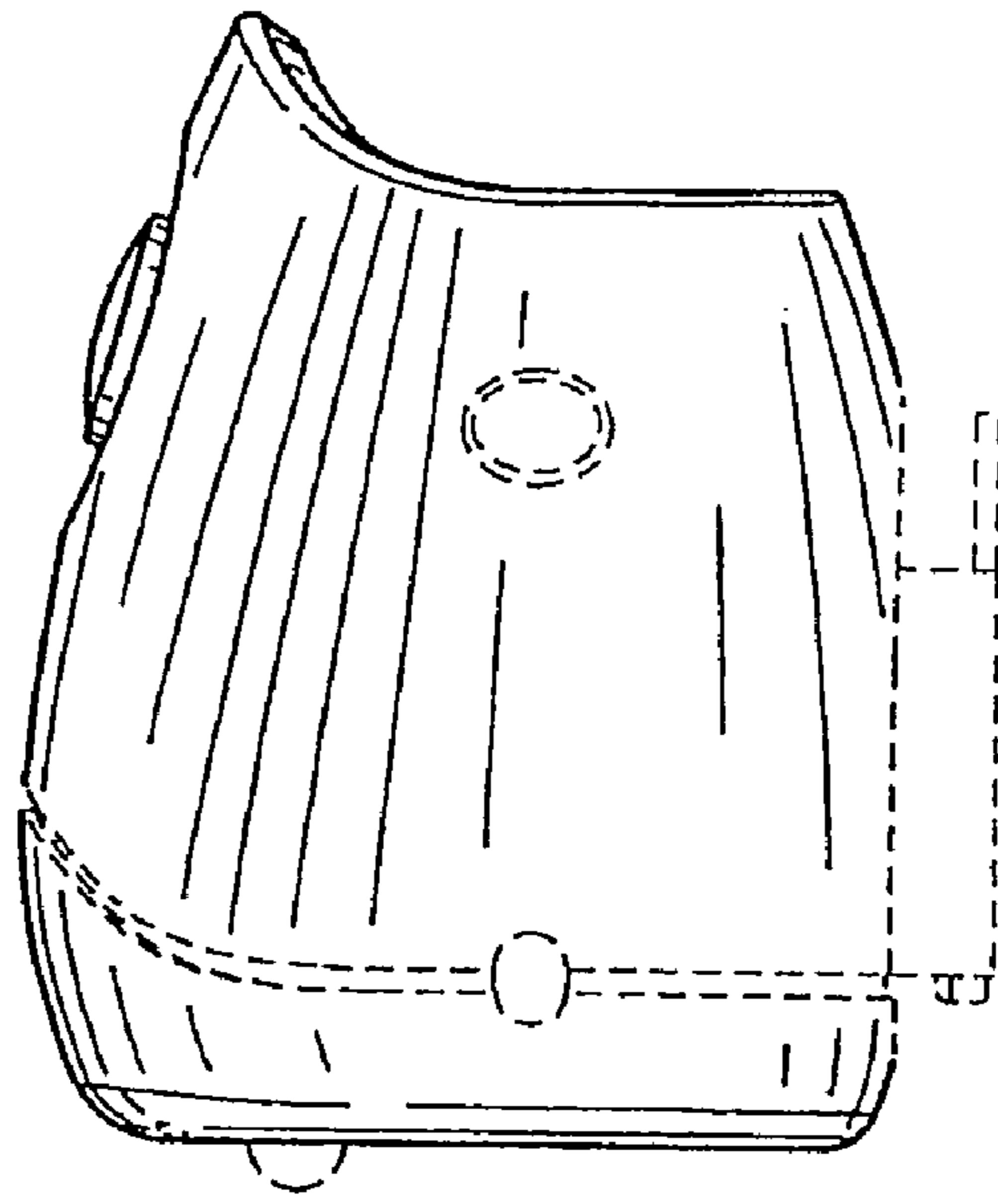


FIG. 3

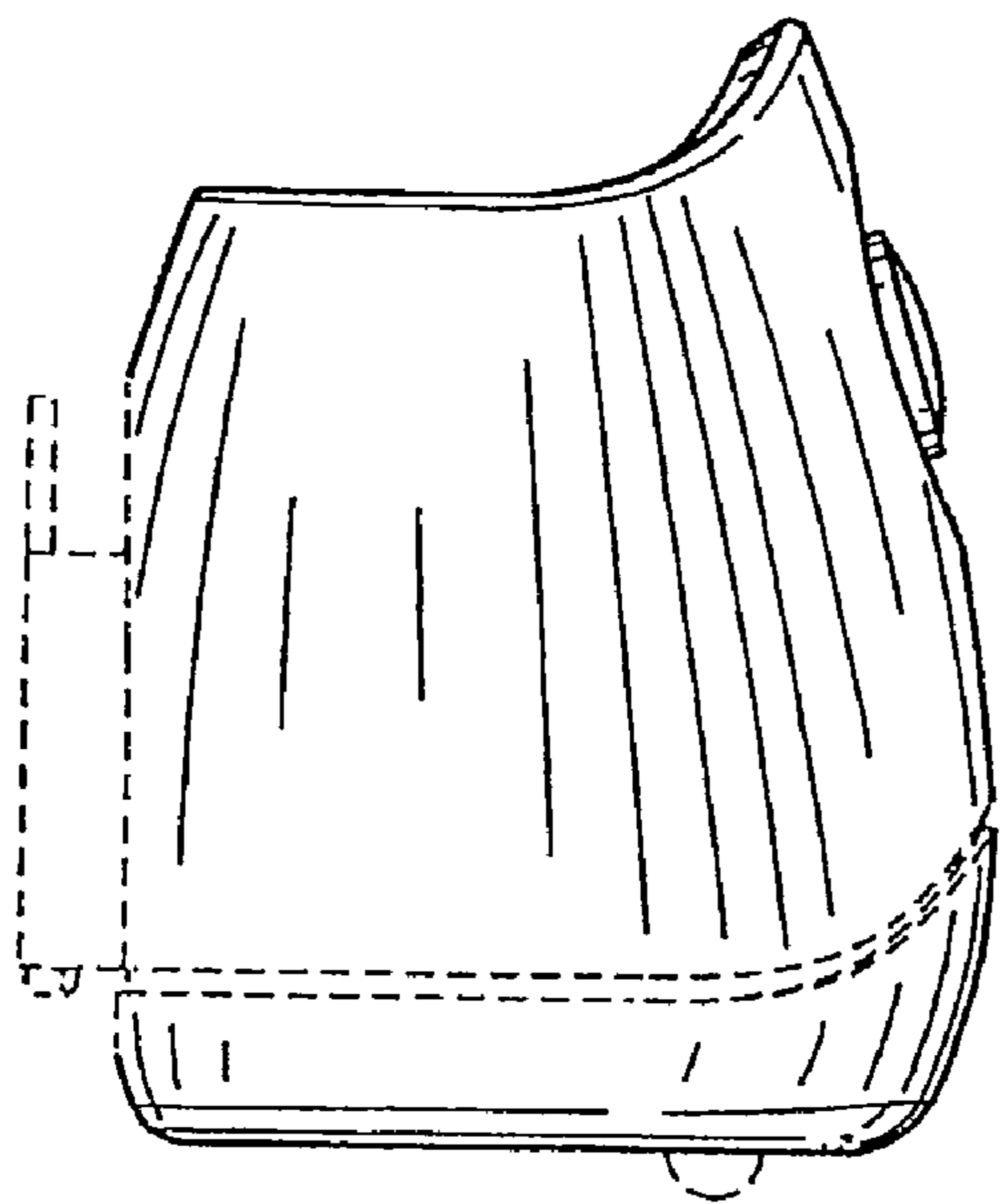


FIG. 4

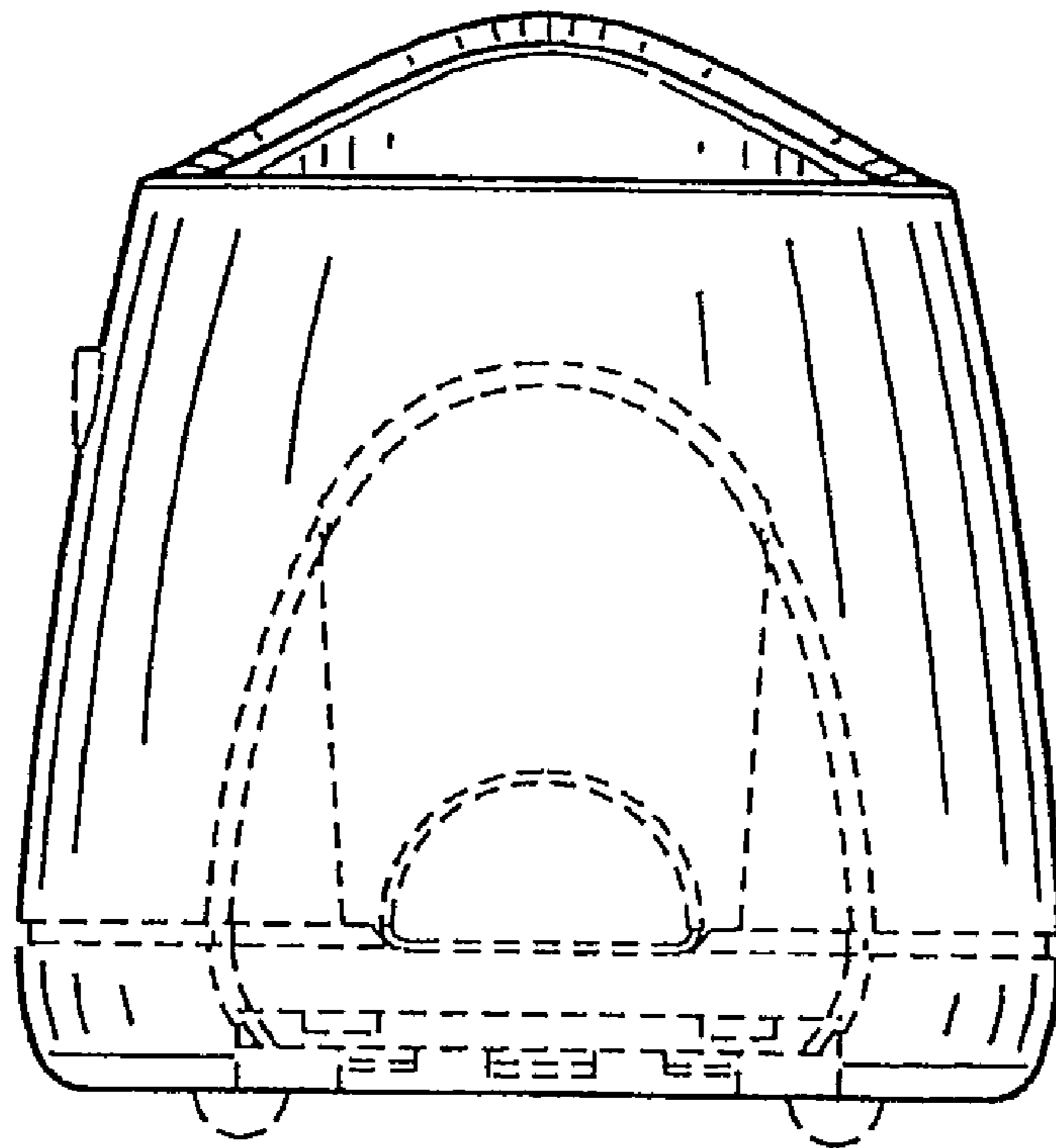


FIG. 5

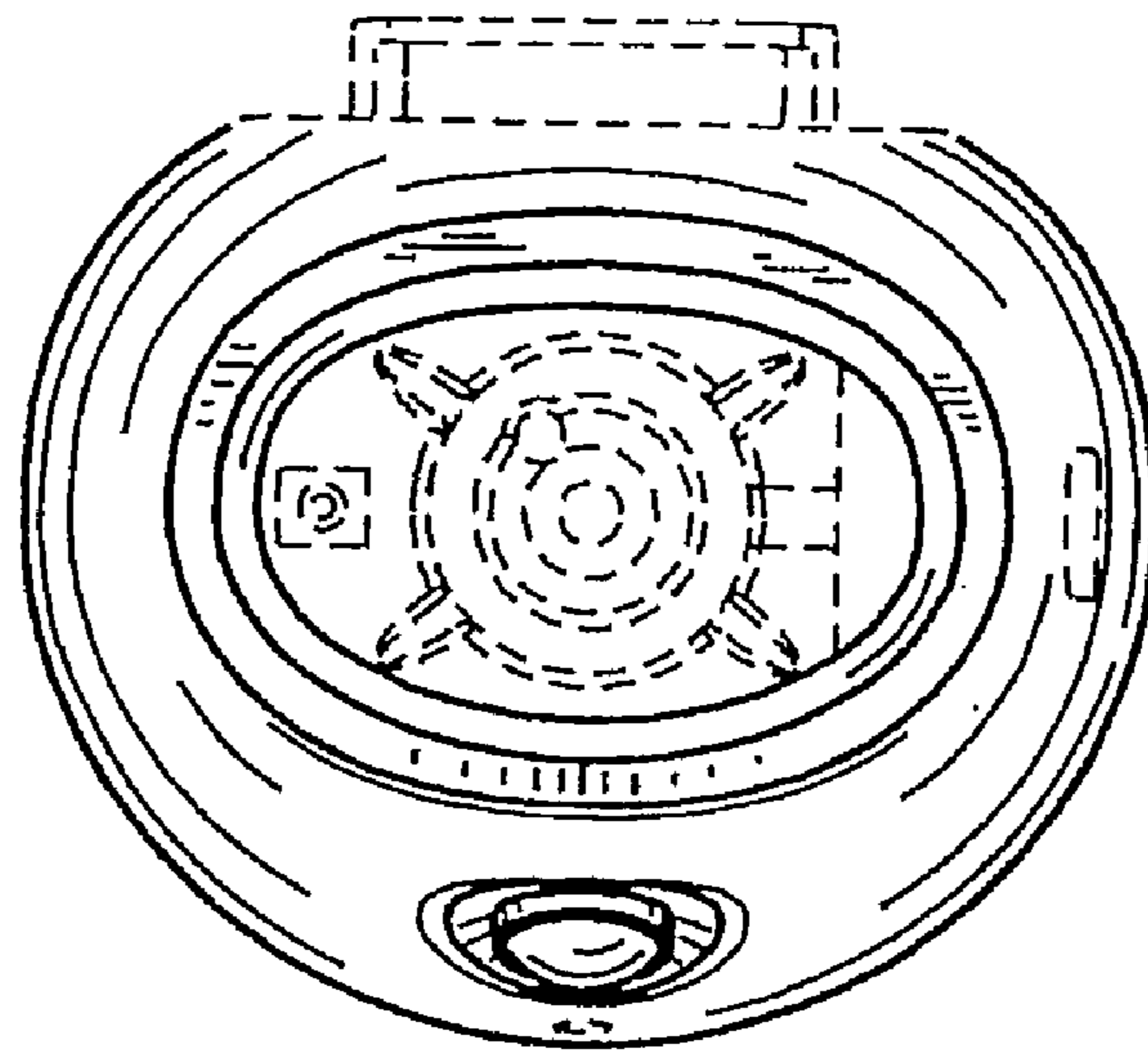


FIG. 6

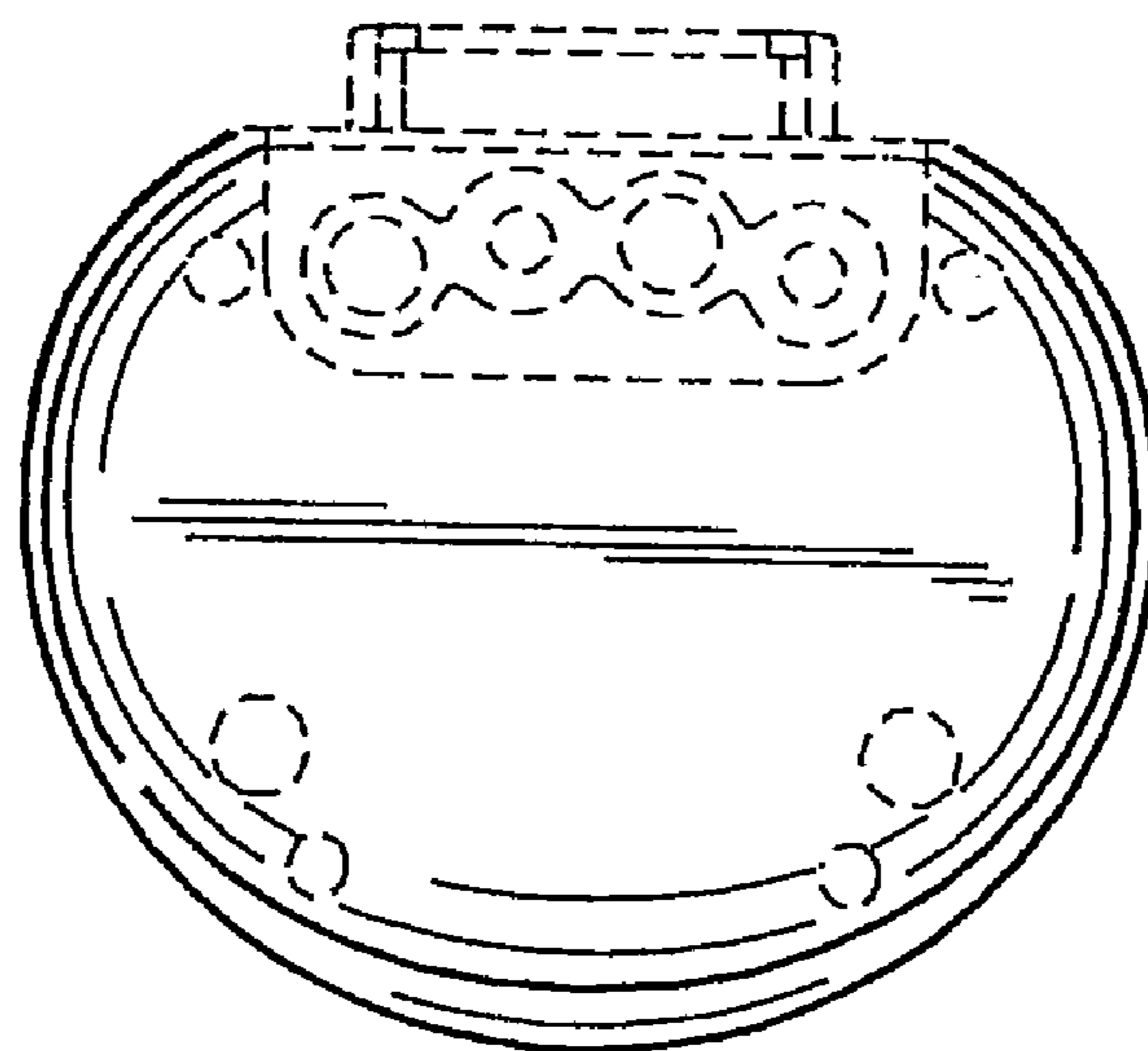


FIG. 7

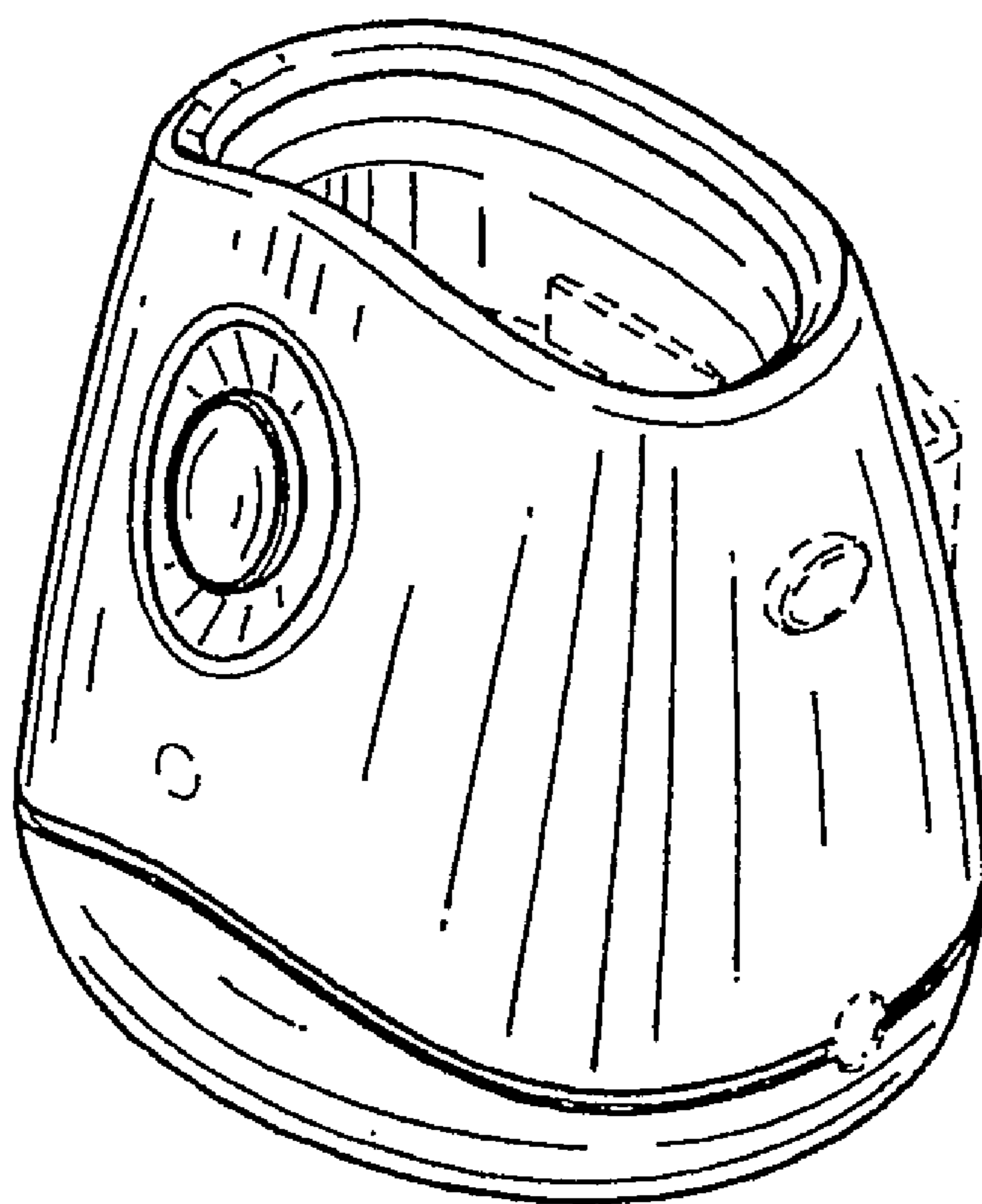


FIG. 8



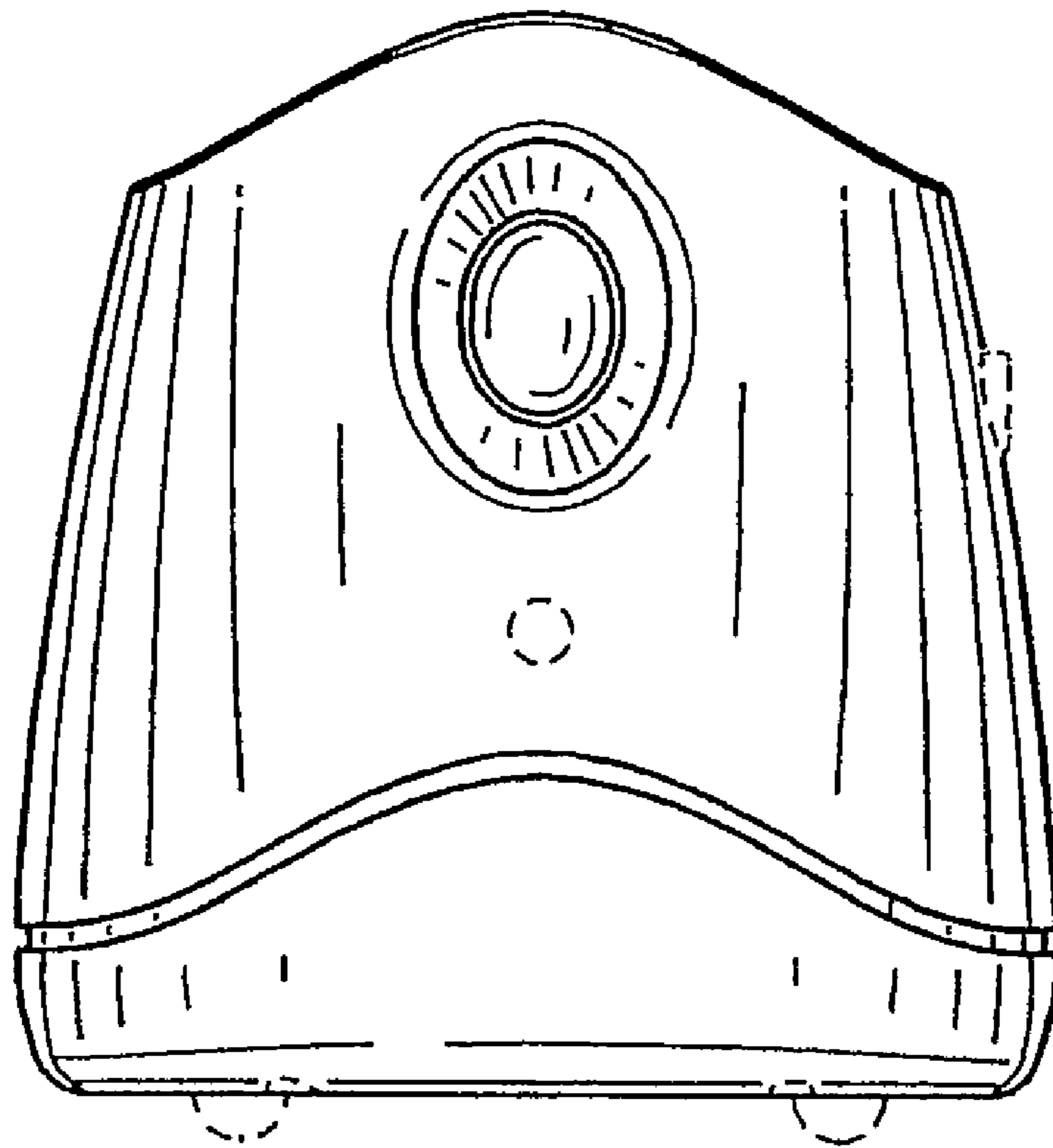


FIG. 9

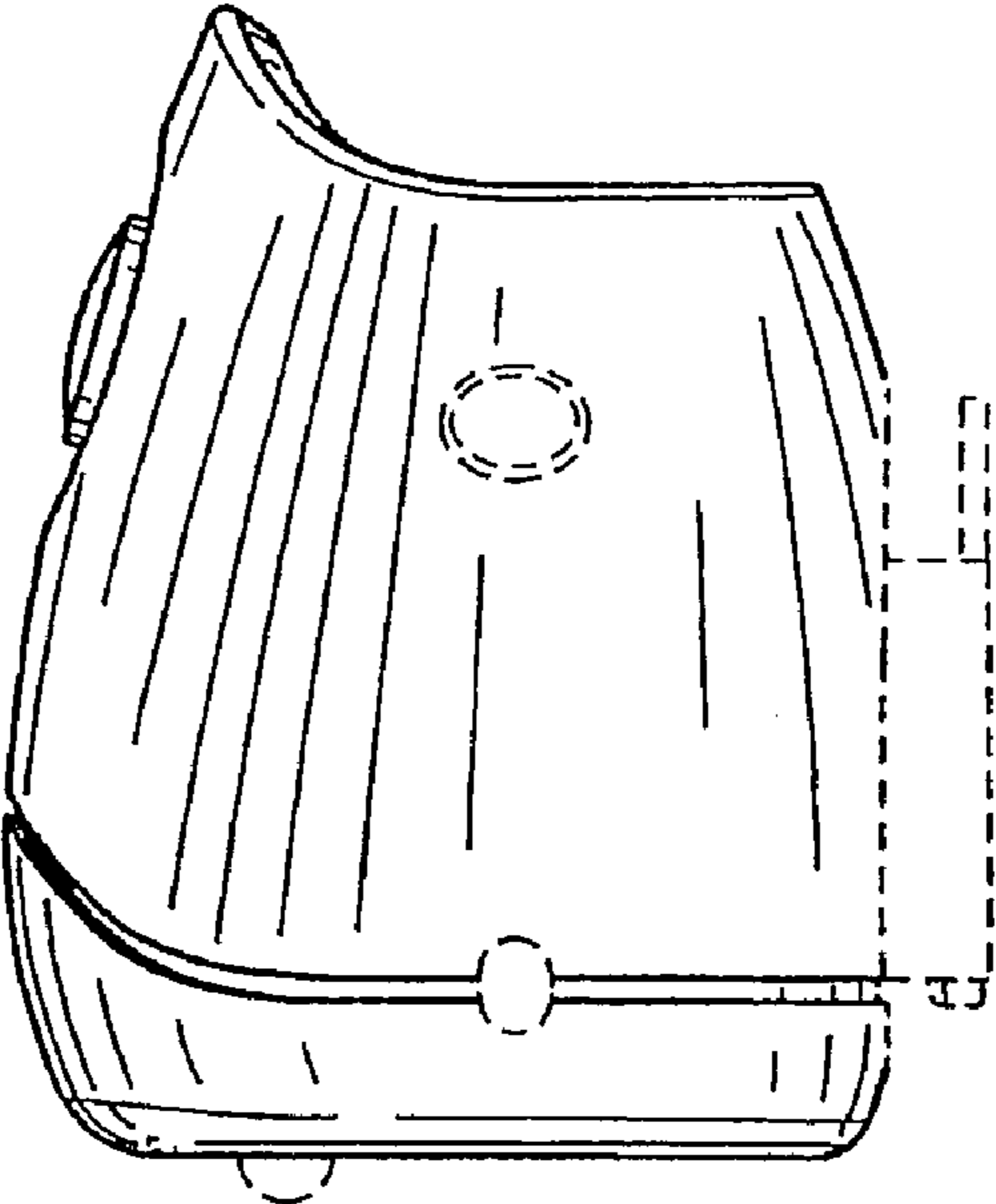


FIG. 10

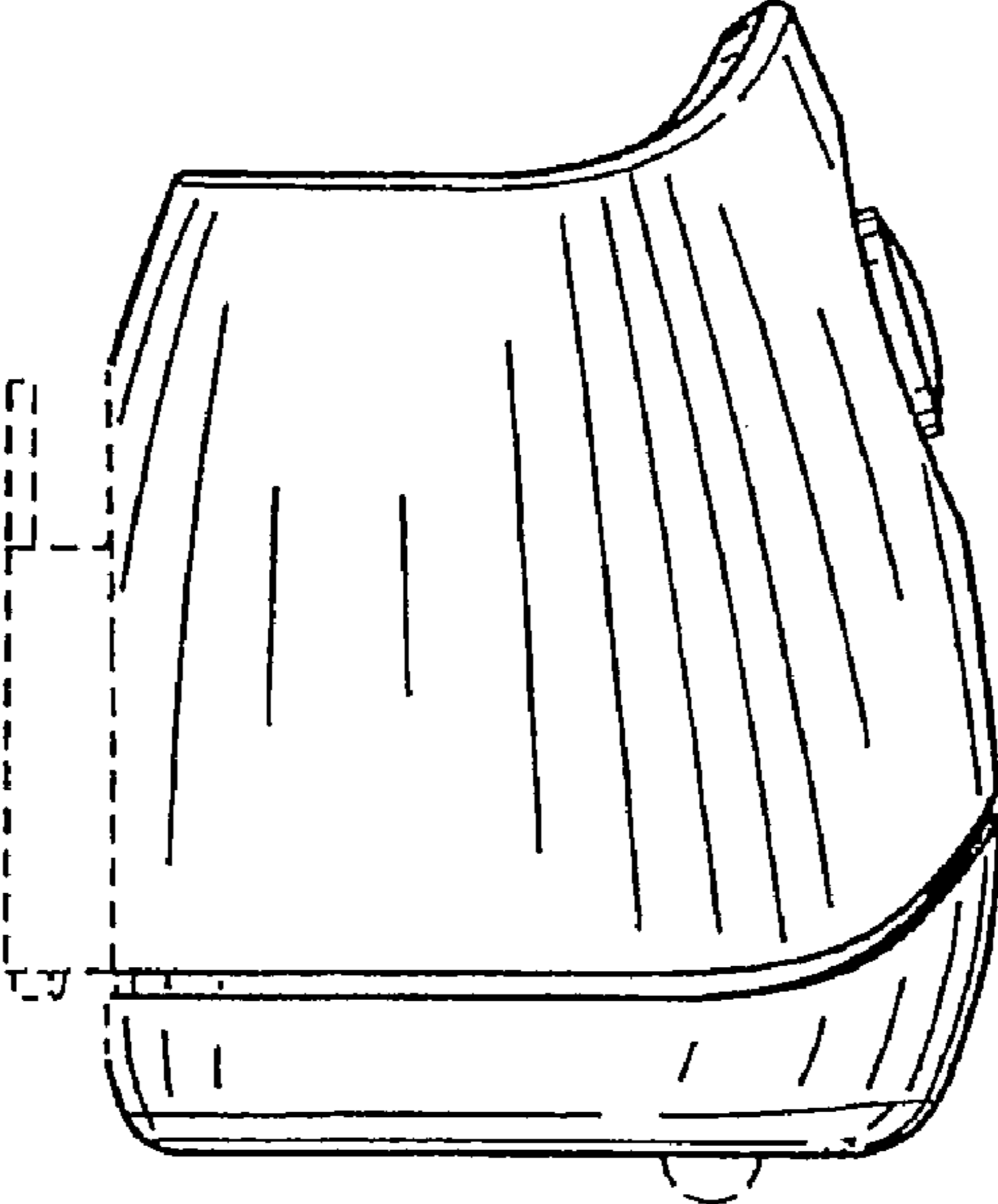


FIG. 11

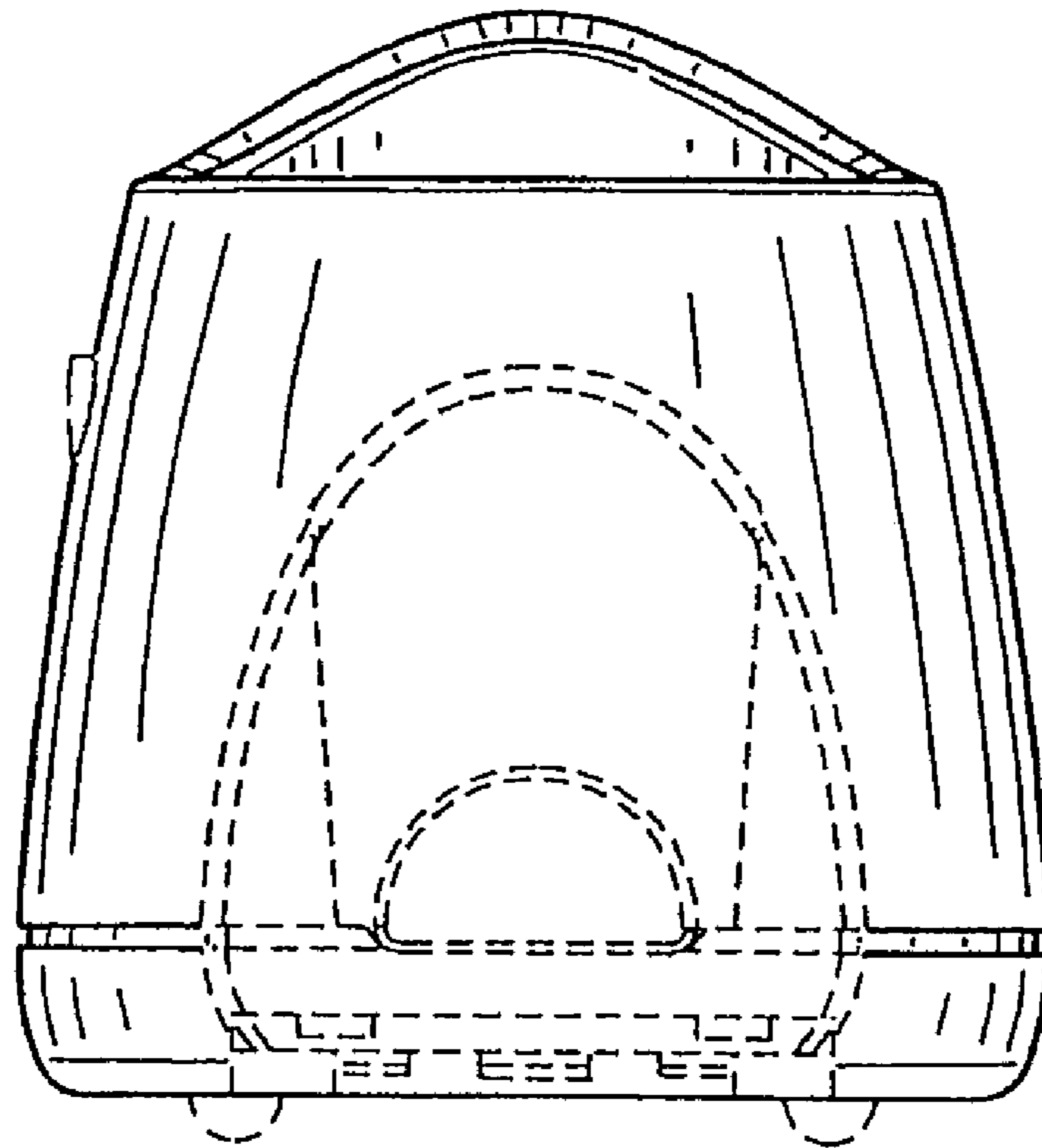


FIG. 12