



US00D581009S

(12) **United States Design Patent**
Lin

(10) **Patent No.:** **US D581,009 S**

(45) **Date of Patent:** **** Nov. 18, 2008**

(54) **FISHING ROD ROLLER GUIDE**

(76) **Inventor:** **Yi-Te Lin**, No. 60, Sinle Road, South District, Tainan City 702 (TW)

(**) **Term:** **14 Years**

(21) **Appl. No.:** **29/304,651**

(22) **Filed:** **Mar. 5, 2008**

(51) **LOC (8) Cl.** **22-05**

(52) **U.S. Cl.** **D22/143**

(58) **Field of Classification Search** D22/143,
D22/138, 149, 199; 43/24

See application file for complete search history.

(56) **References Cited**

U.S. PATENT DOCUMENTS

D292,116 S * 9/1987 Ziemelis D22/143

D439,301 S * 3/2001 Lin D22/143

D495,025 S * 8/2004 Malcarne D22/143

* cited by examiner

Primary Examiner—Catherine R Oliver

(74) *Attorney, Agent, or Firm*—Banger Shia

(57) **CLAIM**

The ornamental design for a fishing rod roller guide, as shown and described.

DESCRIPTION

FIG. 1 is a perspective view of a fishing rod roller guide showing my new design;

FIG. 2 is a front elevation view thereof;

FIG. 3 is a rear elevation view thereof;

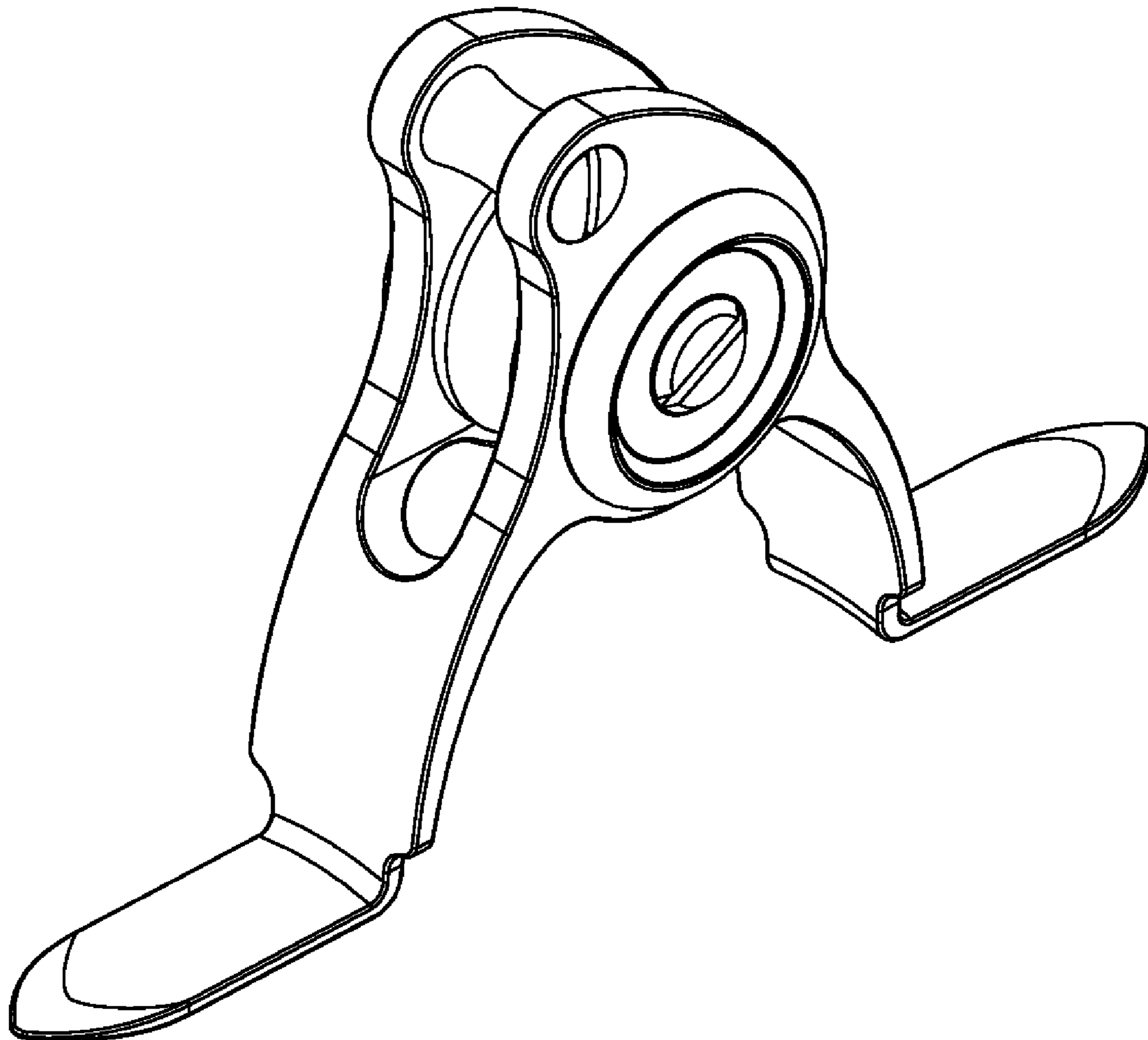
FIG. 4 is a left side elevation view thereof;

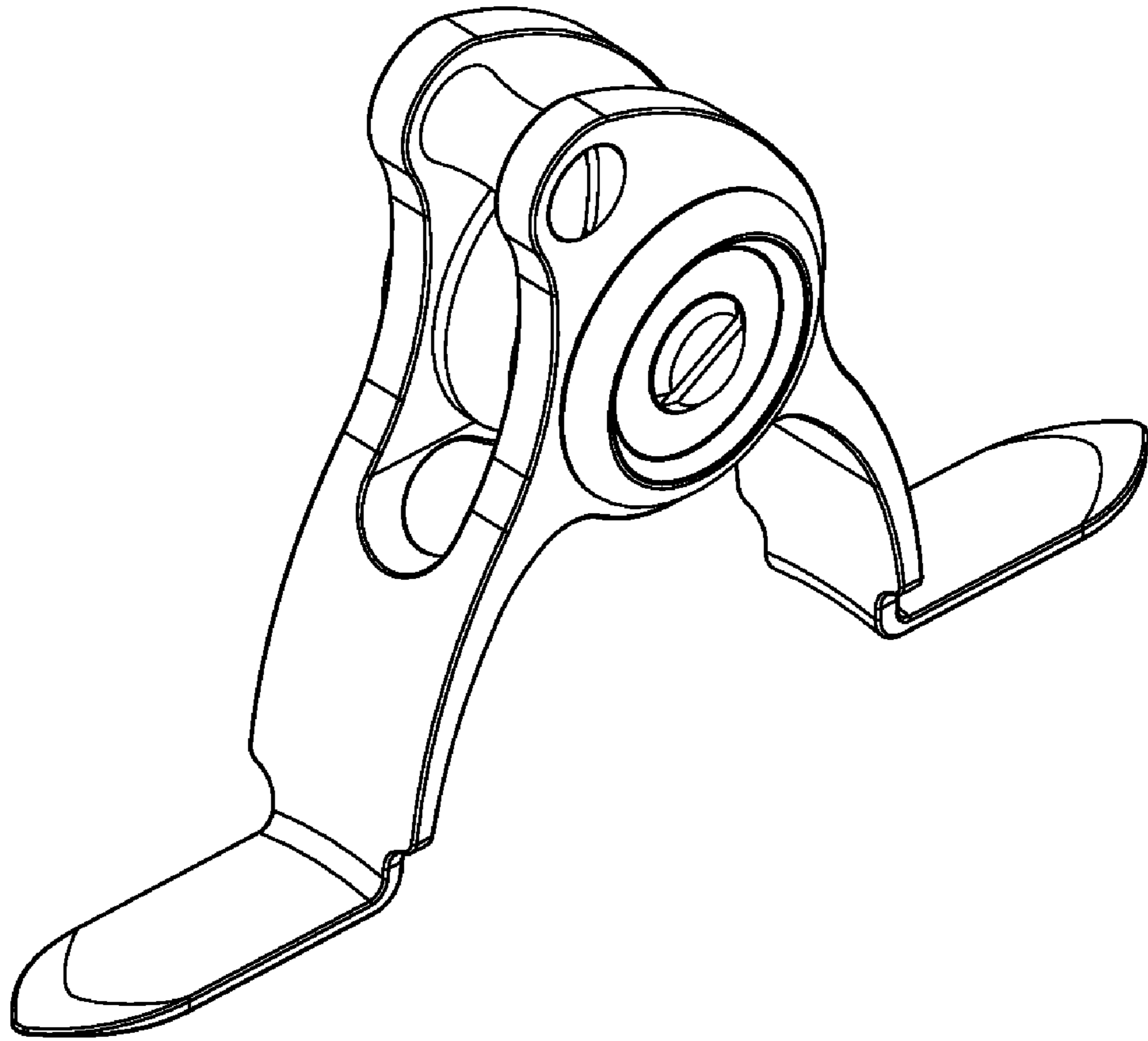
FIG. 5 is a right side elevation view thereof;

FIG. 6 is a top plan view thereof; and,

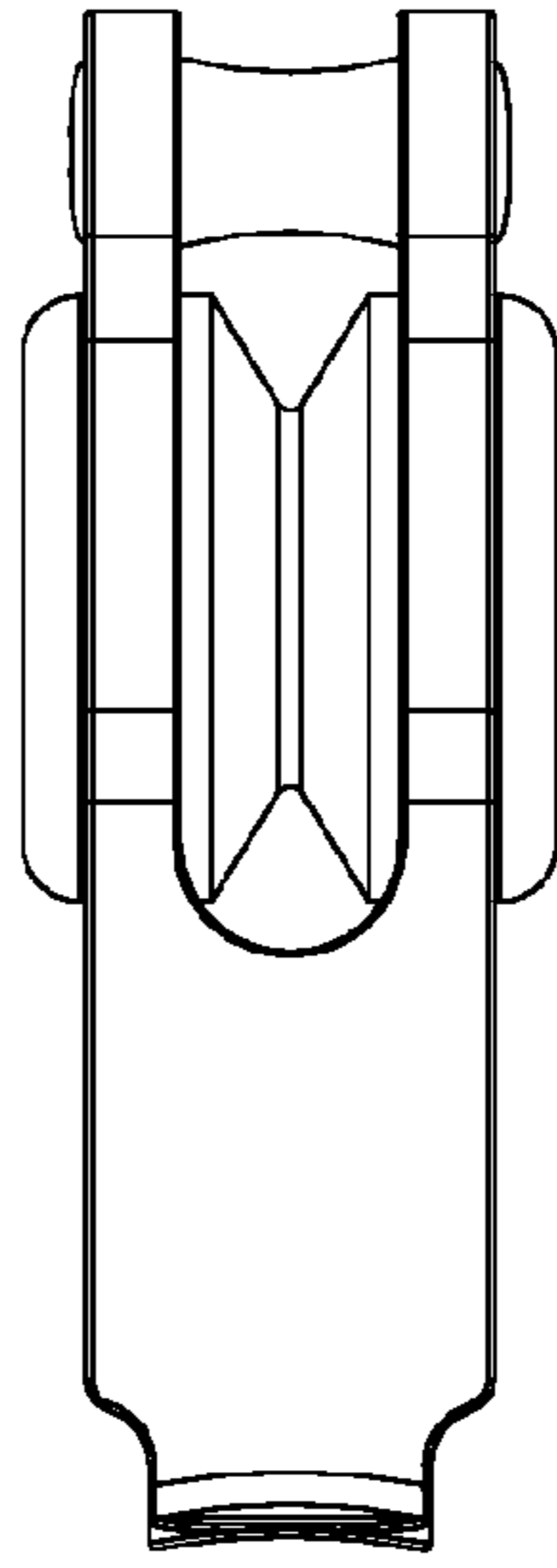
FIG. 7 is a bottom plan view thereof.

1 Claim, 6 Drawing Sheets

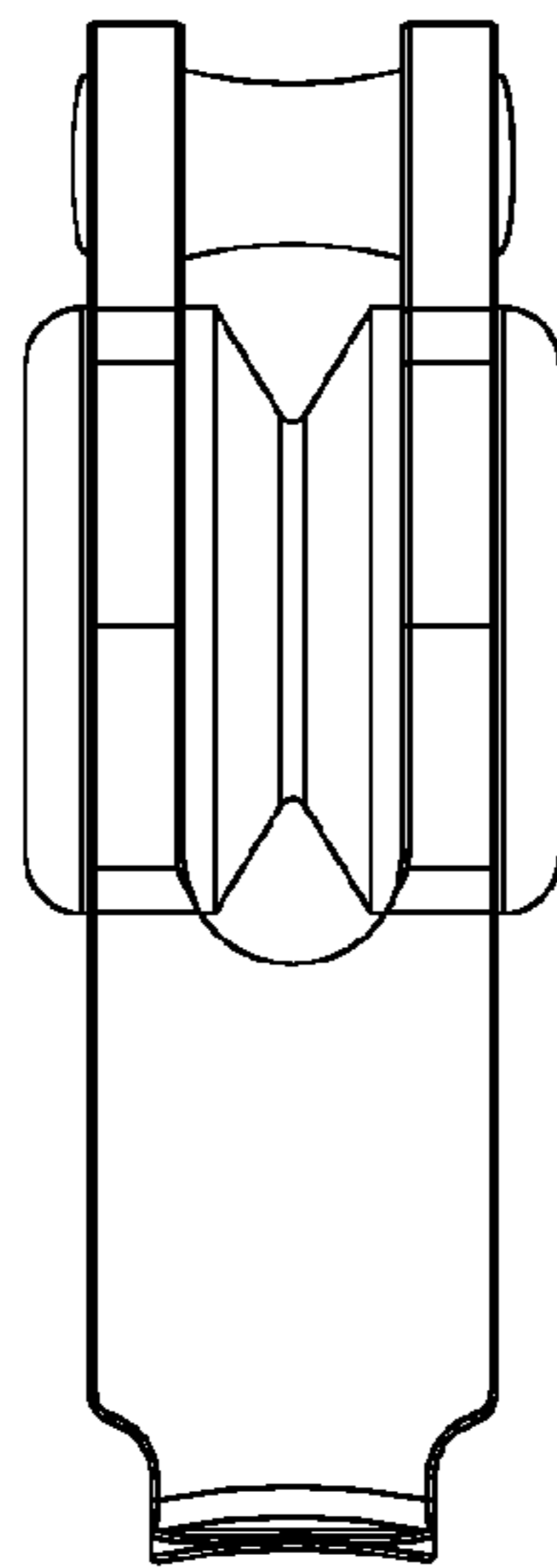




F I G . 1



F I G . 2



F I G . 3

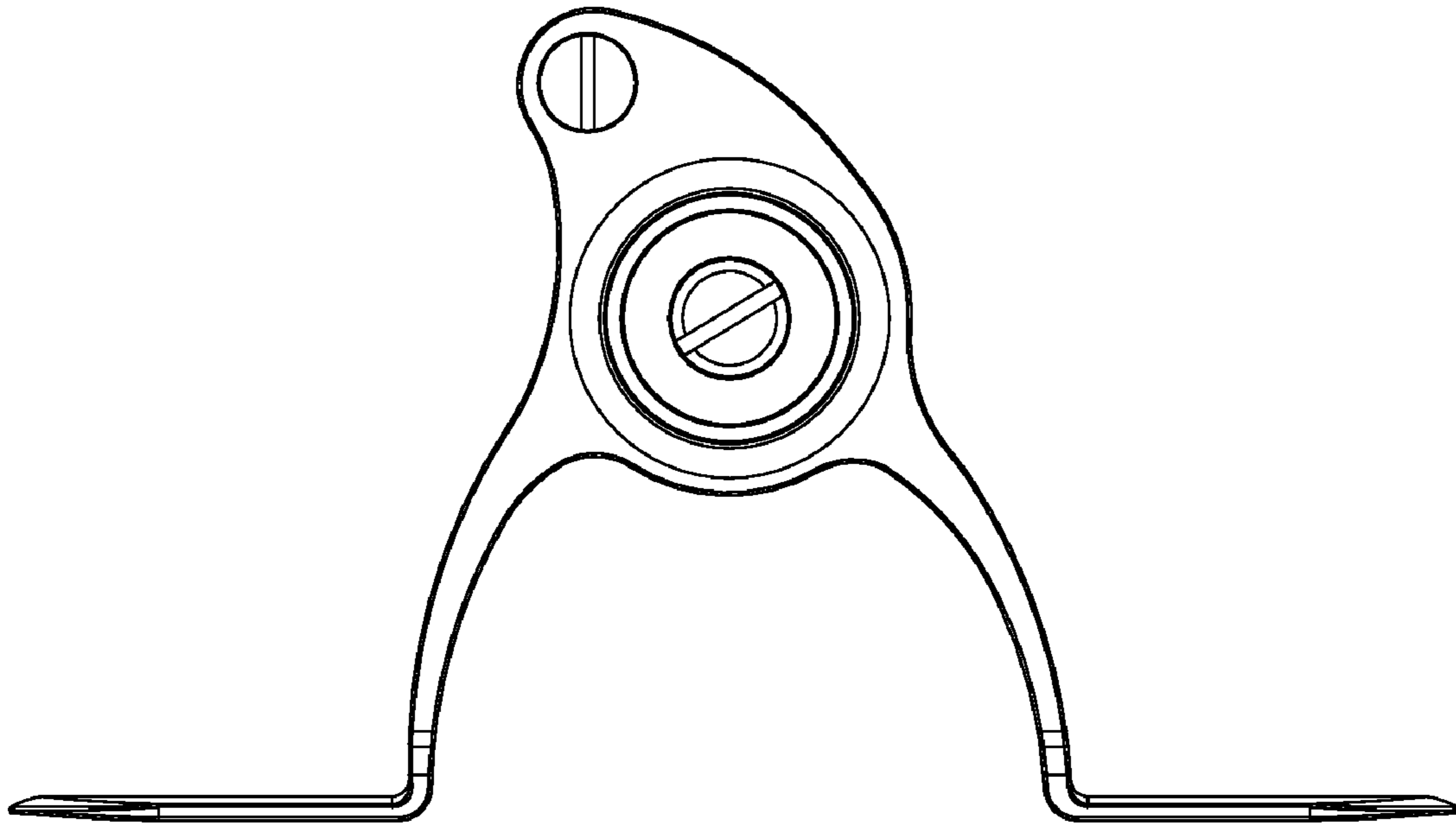
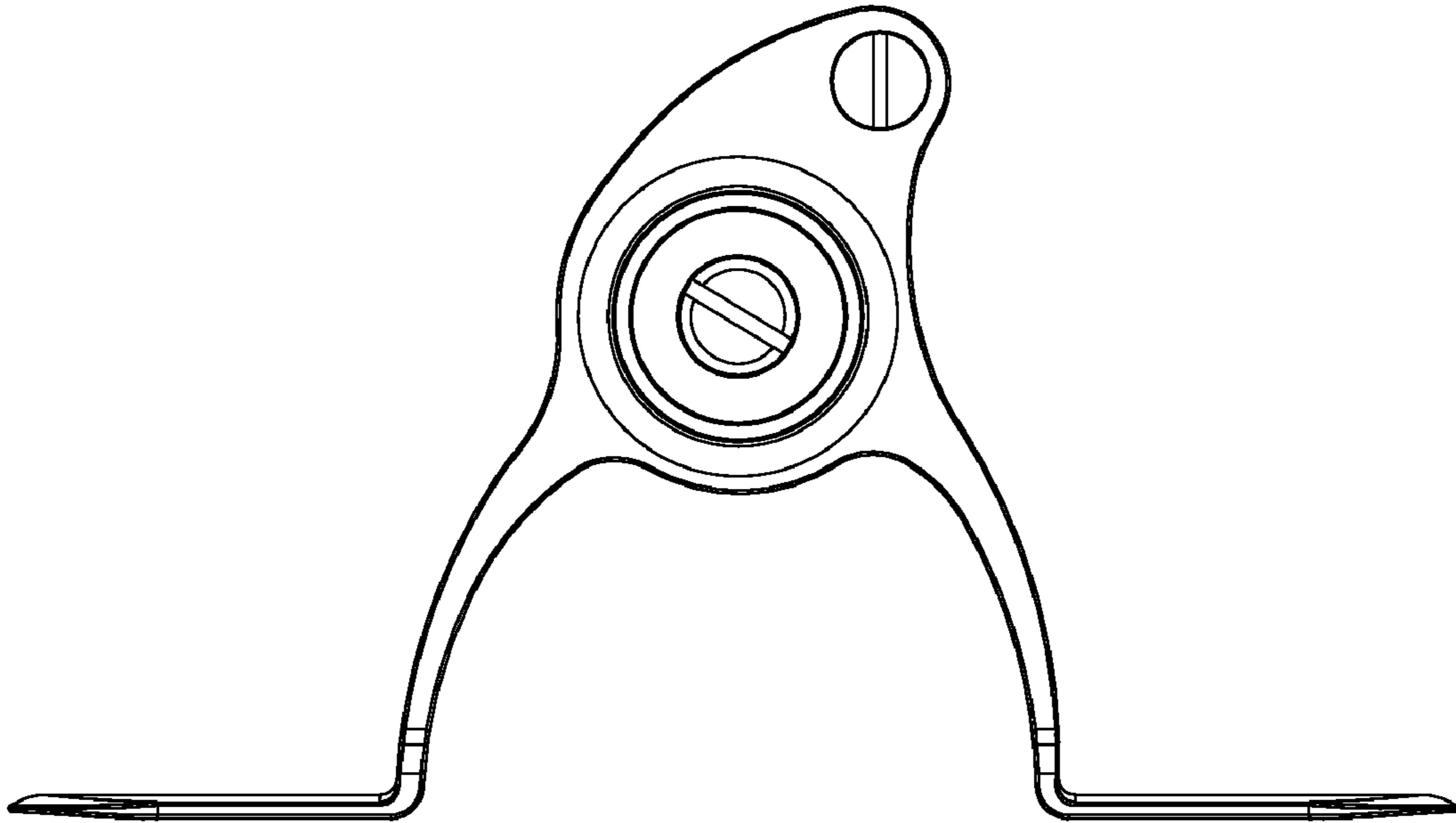
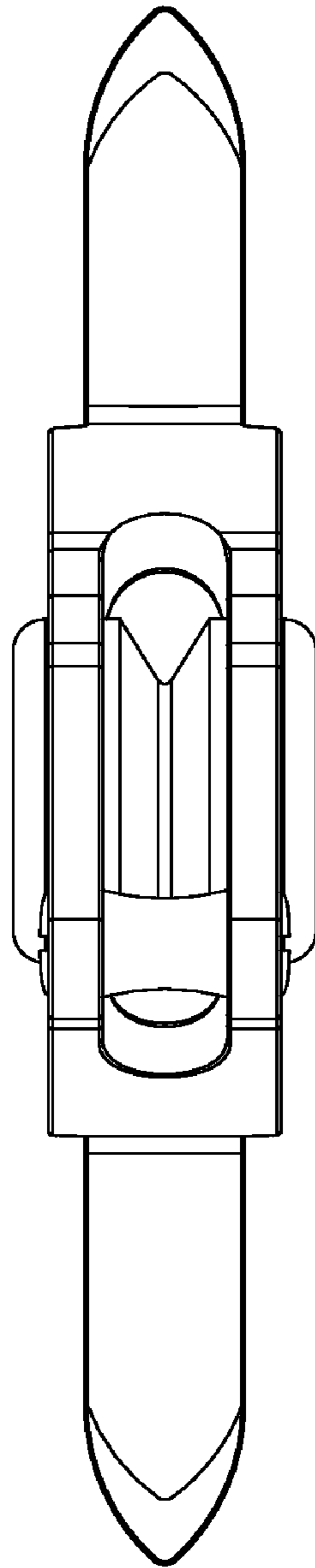


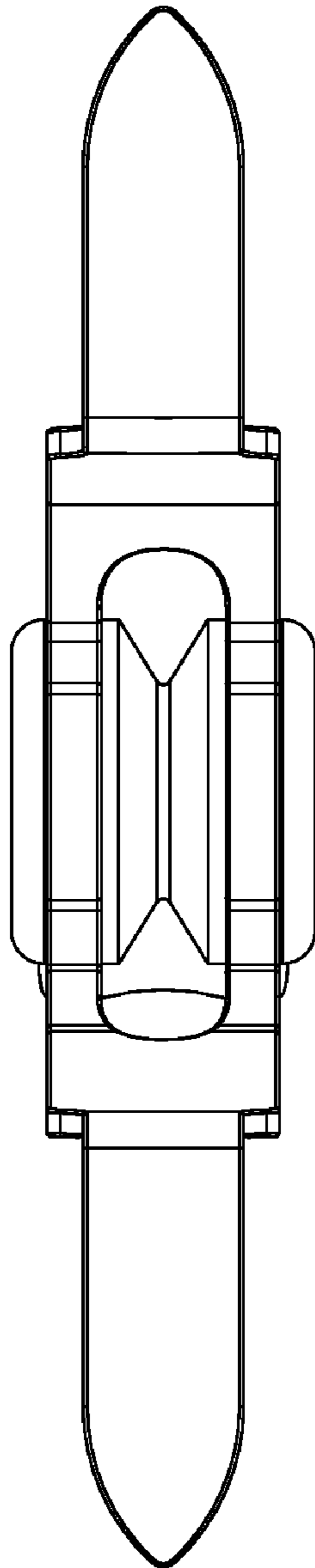
FIG. 4



F I G . 5



F I G . 6



F I G . 7