



US00D581006S

(12) **United States Design Patent**
Smith et al.

(10) **Patent No.:** **US D581,006 S**
(45) **Date of Patent:** **** Nov. 18, 2008**

- (54) **ARROW INSERT APPARATUS**
- (75) Inventors: **Jacob C. Smith**, Salt Lake City, UT (US); **Kenny R. Giles**, West Valley City, UT (US); **Teddy D. Palomaki**, Park City, UT (US)
- (73) Assignee: **Easton Technical Products, Inc.**, Salt Lake City, UT (US)
- (**) Term: **14 Years**
- (21) Appl. No.: **29/249,217**
- (22) Filed: **Sep. 27, 2006**
- (51) **LOC (8) Cl.** **22-01**
- (52) **U.S. Cl.** **D22/107**
- (58) **Field of Classification Search** D22/107, D22/115, 116; 124/23.1, 24.1, 25, 25.6, 124/37, 52; 473/578; D24/114
See application file for complete search history.

- 5,902,199 A 5/1999 Adams, Jr.
- 5,921,875 A 7/1999 Bickel
- 6,017,284 A 1/2000 Giles
- 6,217,467 B1 4/2001 Maleski
- 6,241,634 B1 6/2001 Armer, Jr.
- 6,251,036 B1 6/2001 Wu et al.
- 6,274,230 B1 8/2001 Sarrelongue
- 6,520,876 B1 2/2003 Eastman, II
- 6,554,726 B2 4/2003 Thurber
- 6,887,172 B2 5/2005 Arasmith
- 6,932,728 B2 8/2005 Palomaki
- D515,209 S * 2/2006 Tarumi D24/114
- 7,004,859 B2 2/2006 Palomaki et al.
- 7,077,770 B2 7/2006 Palomaki et al.
- 7,115,055 B2 10/2006 Palomaki et al.
- 2003/0013565 A1 1/2003 Song
- 2003/0073524 A1 4/2003 Song
- 2003/0104884 A1 6/2003 Eastman, II
- 2007/0259743 A1 * 11/2007 Sims et al. 473/578

(56) **References Cited**

U.S. PATENT DOCUMENTS

- 3,277,893 A 10/1966 Clark
- 3,401,938 A 9/1968 Bear
- 3,890,692 A * 6/1975 Jandura, Jr. 473/578
- D244,448 S * 5/1977 Bonine et al. D22/115
- 4,203,601 A 5/1980 Simo
- 4,533,146 A 8/1985 Schaar
- 4,534,568 A 8/1985 Tone
- 4,671,517 A 6/1987 Winters
- 4,706,965 A 11/1987 Schaar
- 4,943,067 A 7/1990 Saunders
- 5,035,764 A 7/1991 Blake
- 5,090,149 A 2/1992 Muk Kim
- 5,242,720 A 9/1993 Blake
- 5,273,293 A 12/1993 Lekavich
- 5,291,875 A 3/1994 Koziol
- 5,425,351 A * 6/1995 Kozitka 124/88
- 5,465,979 A 11/1995 Buhler
- 5,496,042 A 3/1996 Craft et al.
- 5,516,117 A 5/1996 Rangel

OTHER PUBLICATIONS

- Game Tracker Catalog, 1998.
- Advertisement for Easton P/C All-Carbon Hunting Shaft, 1995.
- Beman Products Catalog, 1999.
- Easton Bowhunting and Target Archery Guide, 2004, pp. 4-9, 11-13.

* cited by examiner

Primary Examiner—Cathron Brooks
Assistant Examiner—Melanie Levy
(74) *Attorney, Agent, or Firm*—Holland & Hart

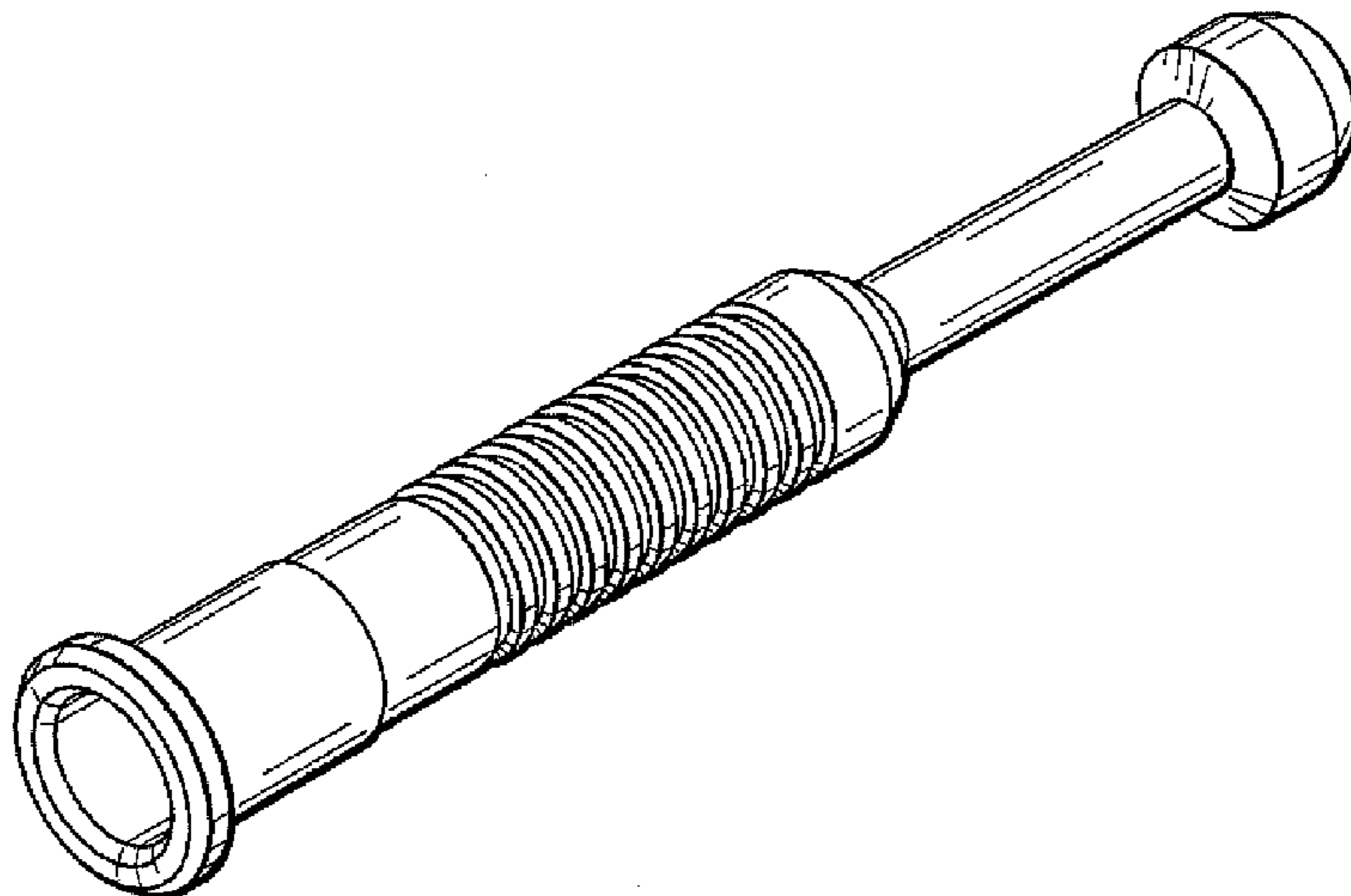
(57) **CLAIM**

The ornamental design for an “arrow insert apparatus,” as shown and described.

DESCRIPTION

FIG. 1 is a perspective view of an “arrow insert apparatus” according to the present invention;
FIG. 2 is a front elevation view thereof;
FIG. 3 is a right side elevation view thereof; and,
FIG. 4 is a left side elevation view thereof.

1 Claim, 1 Drawing Sheet



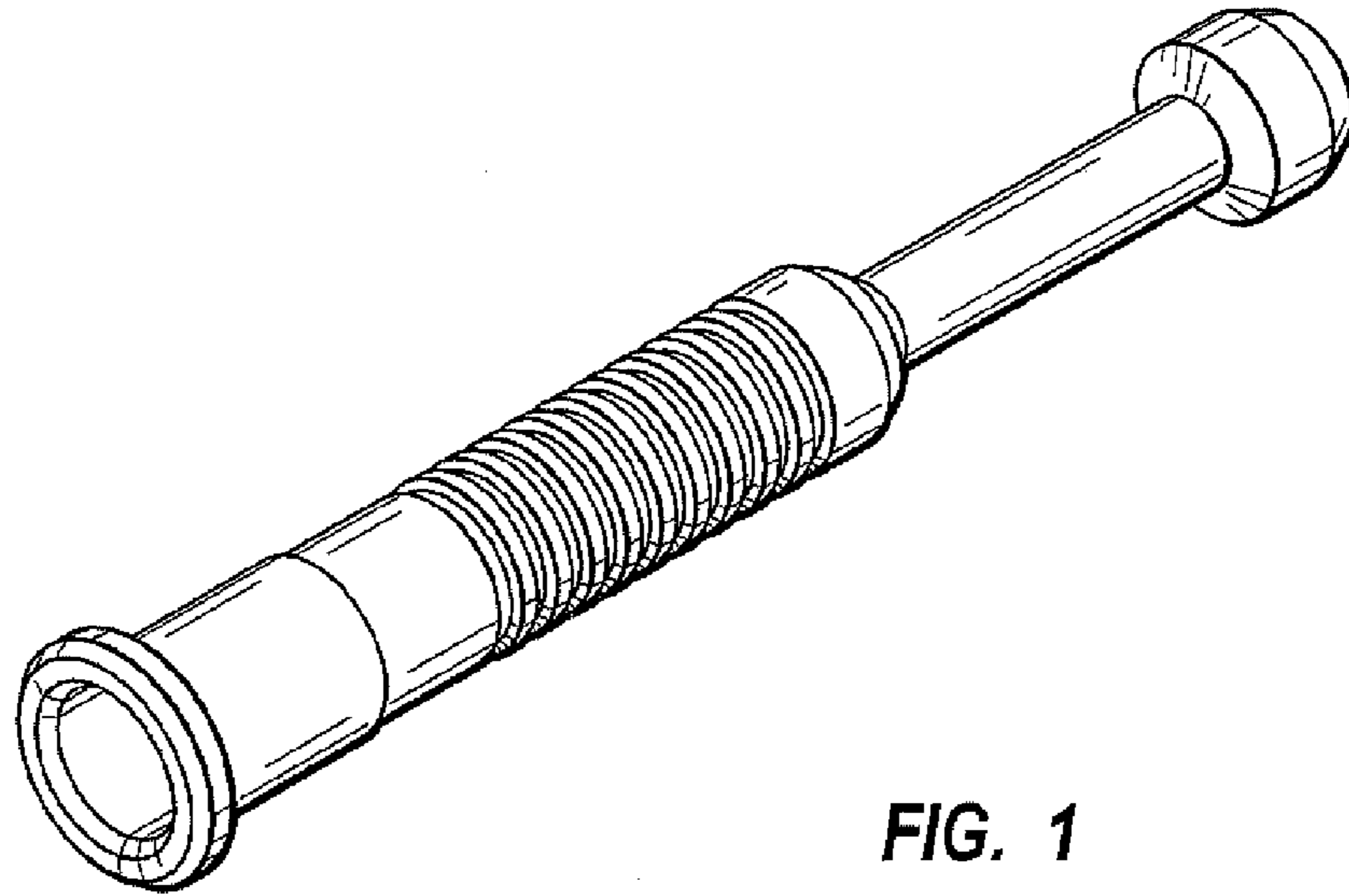


FIG. 1

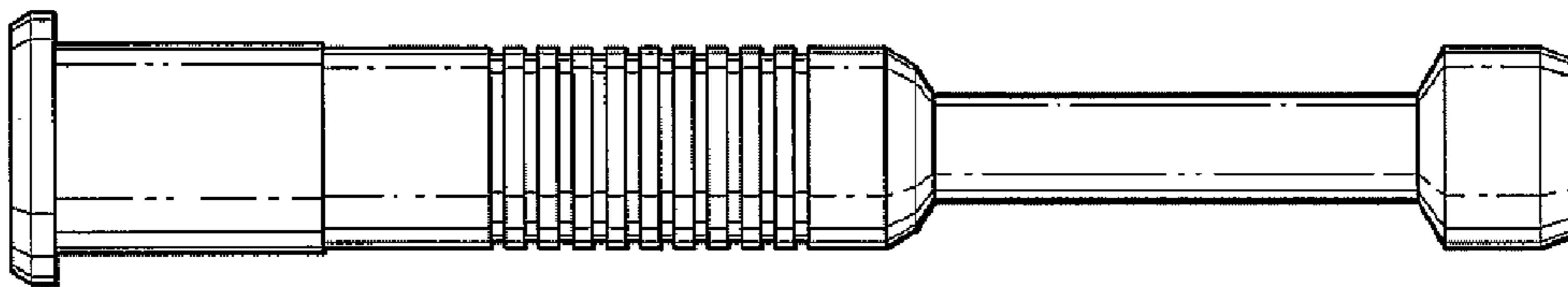


FIG. 2

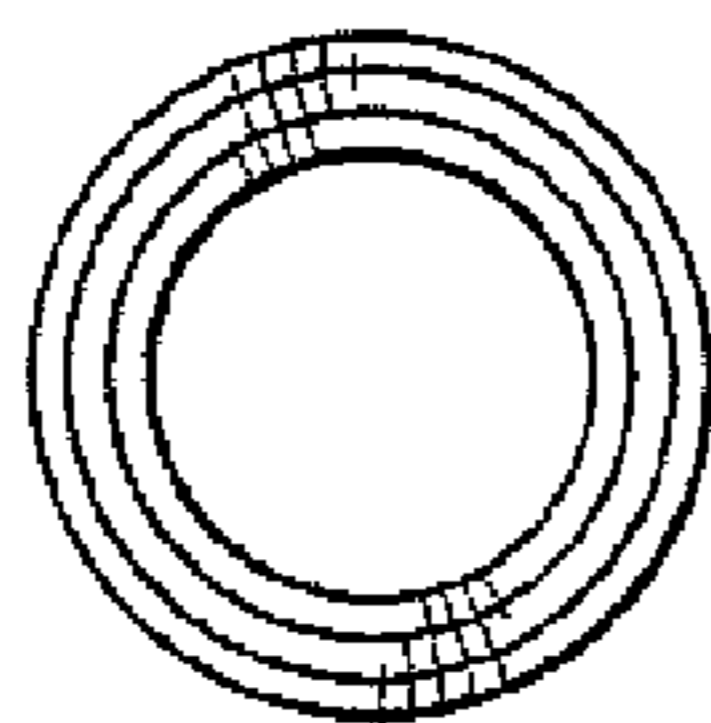


FIG. 3

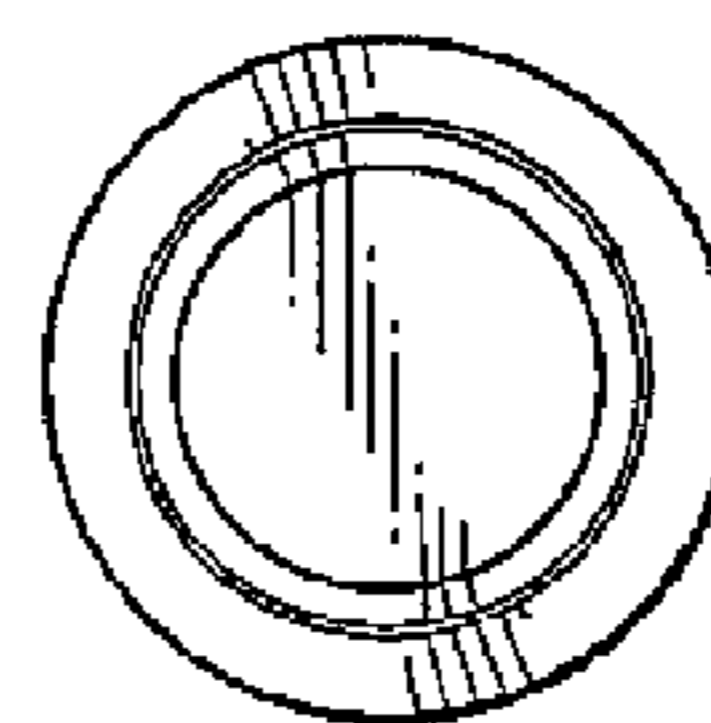


FIG. 4