



US00D581003S

(12) **United States Design Patent**  
**Oldknow et al.**

(10) **Patent No.:** **US D581,003 S**

(45) **Date of Patent:** **\*\* Nov. 18, 2008**

(54) **GOLF CLUB HEAD FOR A PUTTER**

(75) Inventors: **Andrew G. V. Oldknow**, Beaverton, OR  
(US); **David N. Franklin**, Granbury, TX  
(US); **John T. Stites**, Weatherford, TX  
(US)

(73) Assignee: **Nike, Inc.**, Beaverton, OR (US)

(\*\*) Term: **14 Years**

(21) Appl. No.: **29/321,432**

(22) Filed: **Jul. 16, 2008**

(51) **LOC (8) Cl.** ..... **21-02**

(52) **U.S. Cl.** ..... **D21/759**

(58) **Field of Classification Search** ..... D21/736-746,  
D21/759; 473/324-331, 340-341, 251-256  
See application file for complete search history.

(56) **References Cited**

**U.S. PATENT DOCUMENTS**

D146,431 S *	3/1947	Liolich	.....	D21/742
D362,041 S	9/1995	Takahashi et al.		
D383,820 S	9/1997	Watanabe		
D394,687 S	5/1998	Mahaffey et al.		
D394,887 S	6/1998	Bottema		
D399,289 S	10/1998	Sheets et al.		
D401,301 S	11/1998	Cherevko		
D401,980 S	12/1998	Neumann		
D401,989 S	12/1998	Sheets et al.		
D425,158 S	5/2000	Long et al.		
D437,018 S	1/2001	Leysock		
D462,101 S	8/2002	Debenon		
6,440,009 B1	8/2002	Guibaud et al.		
D469,834 S	2/2003	Saraie		
D479,867 S	9/2003	Saliba et al.		
D481,089 S *	10/2003	Breier et al.	.....	D21/738
D485,321 S *	1/2004	Breier et al.	.....	D21/738
D489,425 S	5/2004	Rice et al.		
D500,110 S	12/2004	Solheim et al.		
D501,035 S	1/2005	Wahl et al.		
D502,234 S	2/2005	Grace		
D507,316 S	7/2005	Li		
D507,319 S	7/2005	Kramski		

D508,276 S	8/2005	Madore		
6,929,559 B1	8/2005	Grace		
D510,394 S	10/2005	Tang et al.		
D515,647 S *	2/2006	Morgulis	.....	D21/743
D518,127 S	3/2006	Tang et al.		
D520,582 S *	5/2006	Zelnicek	.....	D21/736
D520,583 S	5/2006	Rollinson et al.		
D521,582 S	5/2006	Souza et al.		
7,048,639 B2	5/2006	Grace		
D522,598 S	6/2006	Solheim et al.		
D523,502 S	6/2006	Jorgensen		
D523,504 S	6/2006	Tang		

(Continued)

**OTHER PUBLICATIONS**

Golfsmith 98, p. 72, #4157 TGI System Putter Heads.

(Continued)

*Primary Examiner*—Mitchell I Siegel

(74) *Attorney, Agent, or Firm*—Banner & Witcoff, Ltd.

(57)

**CLAIM**

The ornamental design for a golf club head for a putter, as shown and described.

**DESCRIPTION**

FIG. 1 is a bottom perspective view of a golf club head for a putter showing our new design;

FIG. 2 is a front view thereof;

FIG. 3 is a rear view thereof;

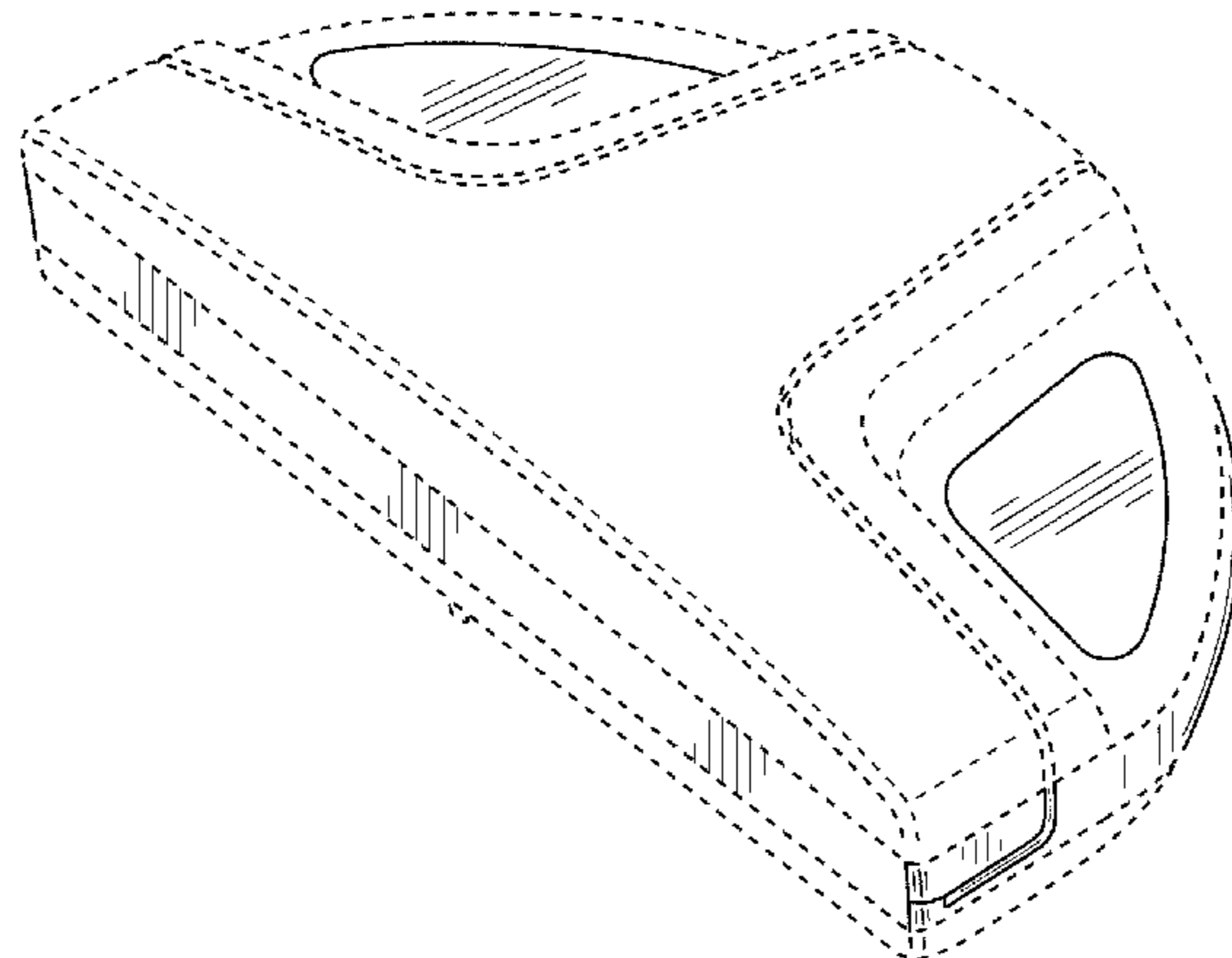
FIG. 4 is a toe end view thereof

FIG. 5 is a heel end view thereof; and,

FIG. 6 is a bottom plan view thereof.

The broken lines immediately adjacent to the shaded area represent unclaimed boundaries of the design. The broken line showing of the remainder of the golf club head for a putter is for illustrative purposes only and forms no part of the claimed design.

**1 Claim, 3 Drawing Sheets**



# US D581,003 S

Page 2

## U.S. PATENT DOCUMENTS

D524,395 S	7/2006	Madore et al.	D553,211 S	10/2007	Harvell et al.
D524,397 S	7/2006	Madore et al.	D554,213 S	10/2007	Tang et al.
D527,433 S	8/2006	Hueber	D554,719 S	11/2007	Barez et al.
D528,619 S	9/2006	Tang et al.	D554,720 S	11/2007	Barez et al.
D529,108 S	9/2006	Stites et al.	D557,361 S	12/2007	Rollinson
D529,111 S	9/2006	Cleveland et al.	D561,856 S	2/2008	Barez et al.
D530,761 S	10/2006	Evans et al.	D564,606 S	3/2008	Oldknow et al.
D531,688 S	11/2006	Frame et al.	D566,214 S	4/2008	Evans et al.
D532,067 S	11/2006	Soracco et al.	D568,953 S	5/2008	Harbert et al.
D532,471 S	11/2006	Oldknow	D569,460 S	5/2008	Walker et al.
D533,609 S	12/2006	Moore et al.	D569,461 S	5/2008	Morris
D533,912 S	12/2006	Evans et al.	D569,464 S	5/2008	Hettinger et al.
D534,229 S	12/2006	Barez et al.	D571,877 S	6/2008	Jones et al.
D534,599 S	1/2007	Barez et al.	D571,879 S	6/2008	Jones et al.
D534,979 S	1/2007	Chau et al.	D571,882 S	6/2008	Soracco
D535,713 S	1/2007	Barez et al.	D572,780 S	7/2008	Rollinson
D537,135 S	2/2007	Rollinson et al.	D572,789 S	7/2008	Stites et al.
D538,364 S	3/2007	Frame et al.	D574,911 S *	8/2008	Jones et al. .... D21/743
D538,368 S	3/2007	Rollinson et al.	D574,912 S *	8/2008	Jones et al. .... D21/743
D538,866 S	3/2007	Kim et al.	2006/0217215 A1	9/2006	Erickson et al.
D540,897 S	4/2007	Oldknow et al.	2007/0232409 A1	10/2007	Byrne
D541,362 S	4/2007	Oldknow	2008/0028590 A1	2/2008	Jorgensen
D544,557 S	6/2007	Oldknow	2008/0039228 A1	2/2008	Breier et al.
D544,933 S	6/2007	Evans et al.			
D545,385 S	6/2007	Tang et al.			
7,244,191 B2	7/2007	Tang et al.			
D548,295 S	8/2007	Jertson et al.			
D550,318 S	9/2007	Oldknow			

## OTHER PUBLICATIONS

Austad's Spring 08, p. 24, Nike IC Series Putter #42937.  
Edwin Watts Golf Internet, Putters, Callaway I-Triax Putter.  
Edwin Watts Golf Internet, Putters, Nike IC Series 20-15 Moi Putters.

\* cited by examiner

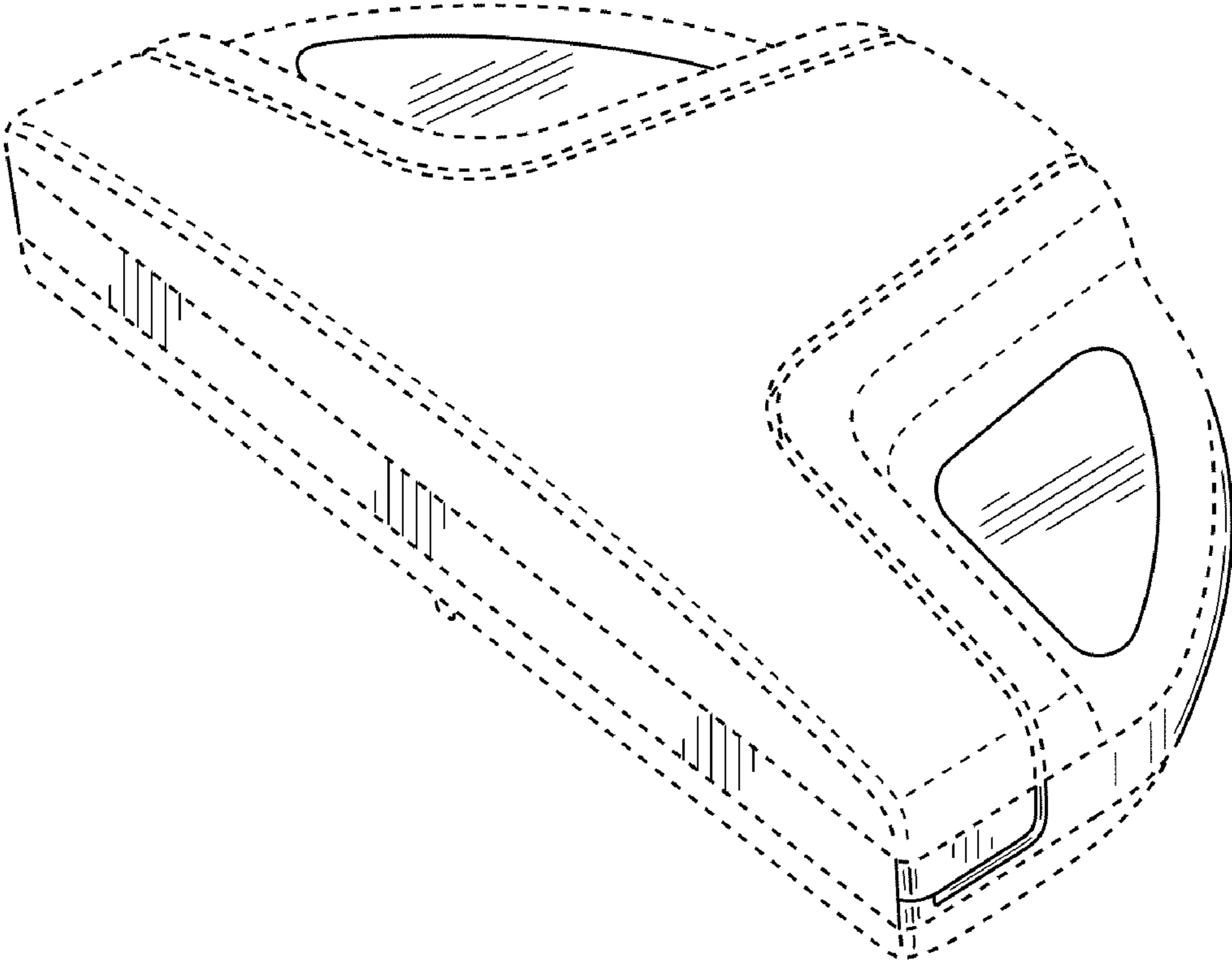


FIG. 1

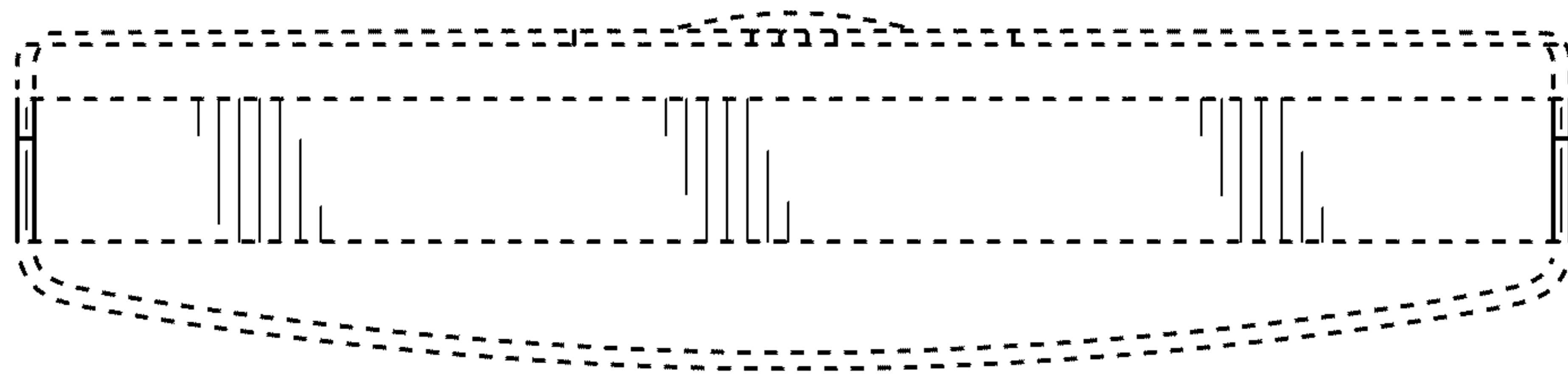


FIG. 2

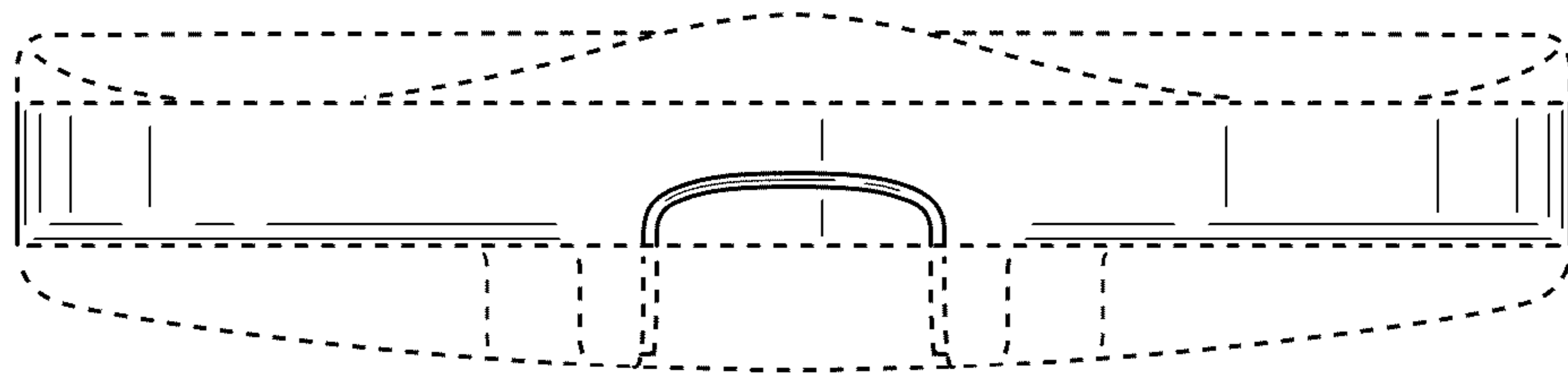


FIG. 3

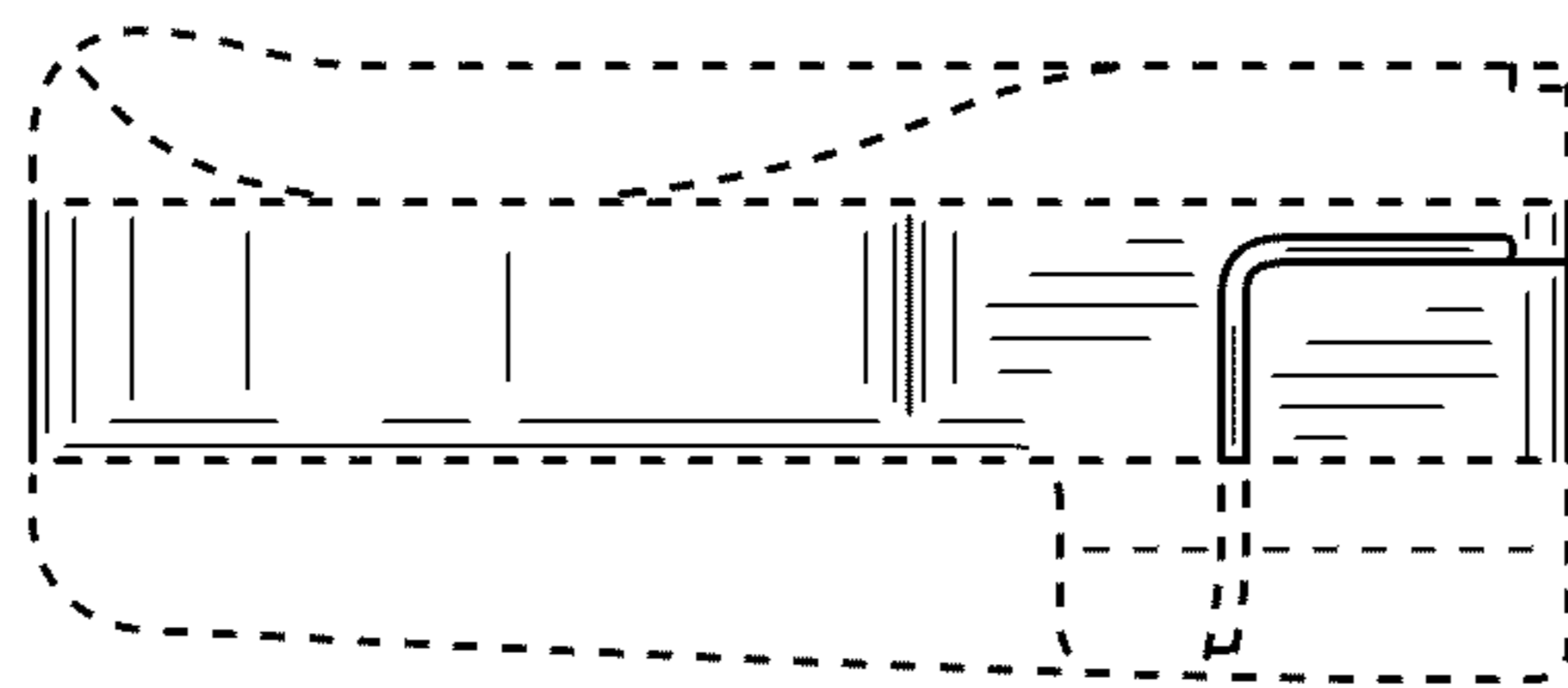


FIG. 4

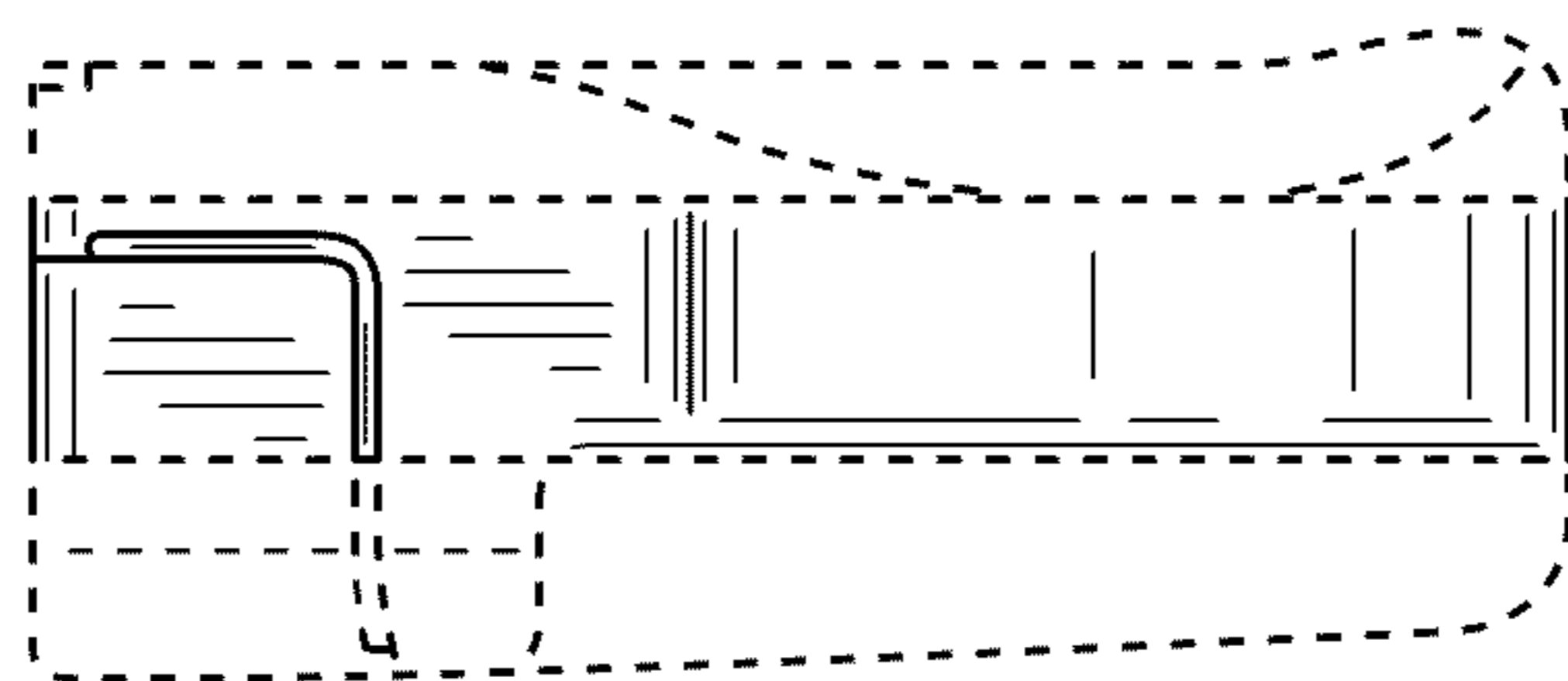


FIG. 5

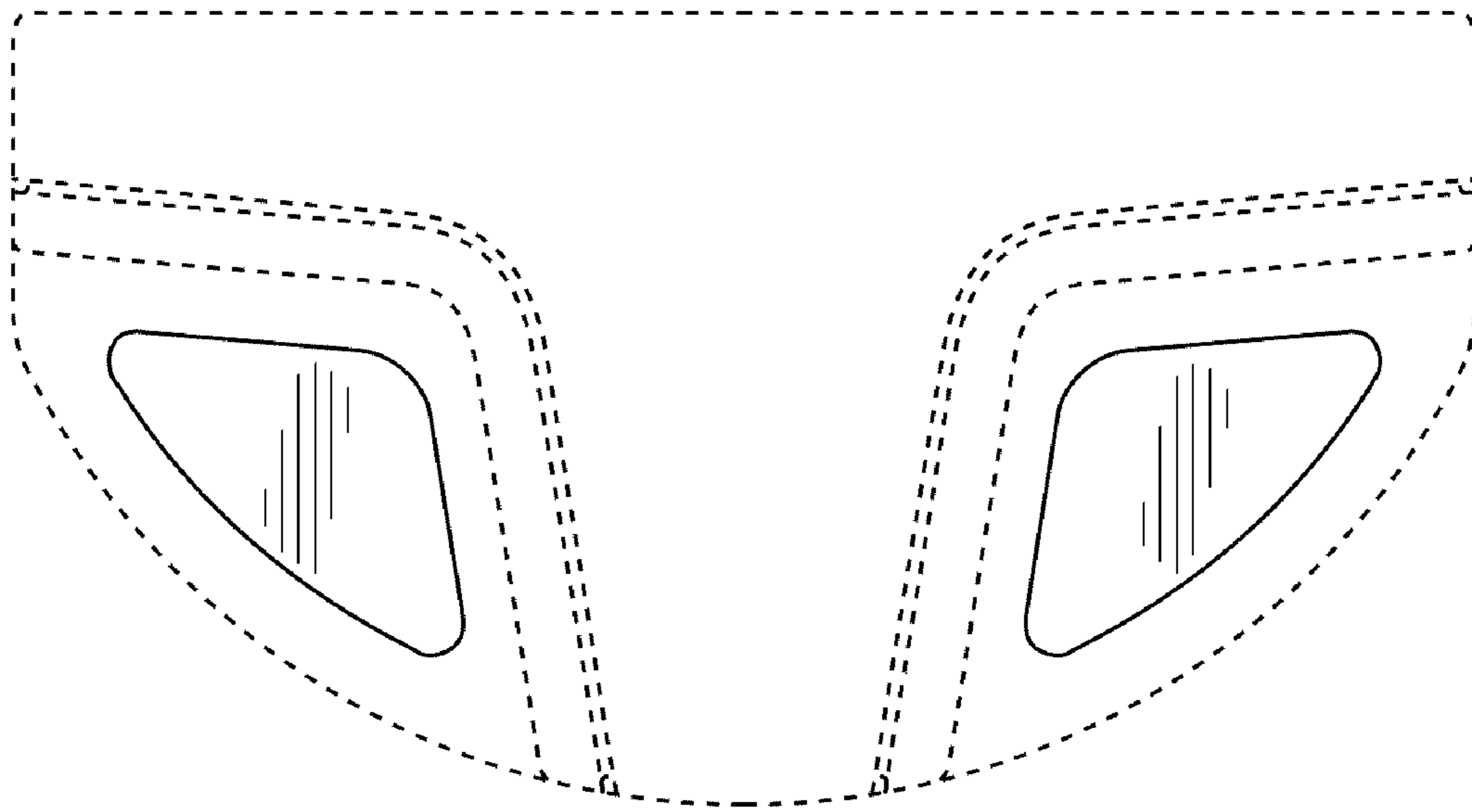


FIG. 6