



US00D580998S

(12) **United States Design Patent**
Lin

(10) **Patent No.:** **US D580,998 S**
(45) **Date of Patent:** **** Nov. 18, 2008**

(54) **PUSH-UP EXERCISER**

(76) Inventor: **Chieh-Jen Lin**, 3F., No. 649-1, Chung Cheng Road, Hsinchuang City, Taipei Hsien (TW)

(**) Term: **14 Years**

(21) Appl. No.: **29/277,130**

(22) Filed: **Feb. 15, 2007**

(51) **LOC (8) Cl.** **21-02**

(52) **U.S. Cl.** **D21/686; D21/691**

(58) **Field of Classification Search** D21/662, D21/684, 686, 691; 482/141, 91, 41; 135/65
See application file for complete search history.

(56) **References Cited**

U.S. PATENT DOCUMENTS

2,817,347	A *	12/1957	Hilt, Sr.	482/141
3,115,338	A *	12/1963	Acs et al.	482/141
4,327,907	A *	5/1982	DeVries	482/141
4,351,525	A *	9/1982	Rozenblad	482/141
4,854,573	A *	8/1989	Johannson et al.	482/141
4,941,495	A *	7/1990	Boyce et al.	135/65
D354,100	S *	1/1995	Tsay et al.	D21/686

D432,603	S *	10/2000	Bullard, Jr.	D21/686
D479,289	S *	9/2003	Turner	D21/662
D523,493	S *	6/2006	Horton	D21/662
2006/0014615	A1 *	1/2006	Godbold	482/141

* cited by examiner

Primary Examiner—Philip S Hyder
(74) *Attorney, Agent, or Firm*—Leong C. Lei

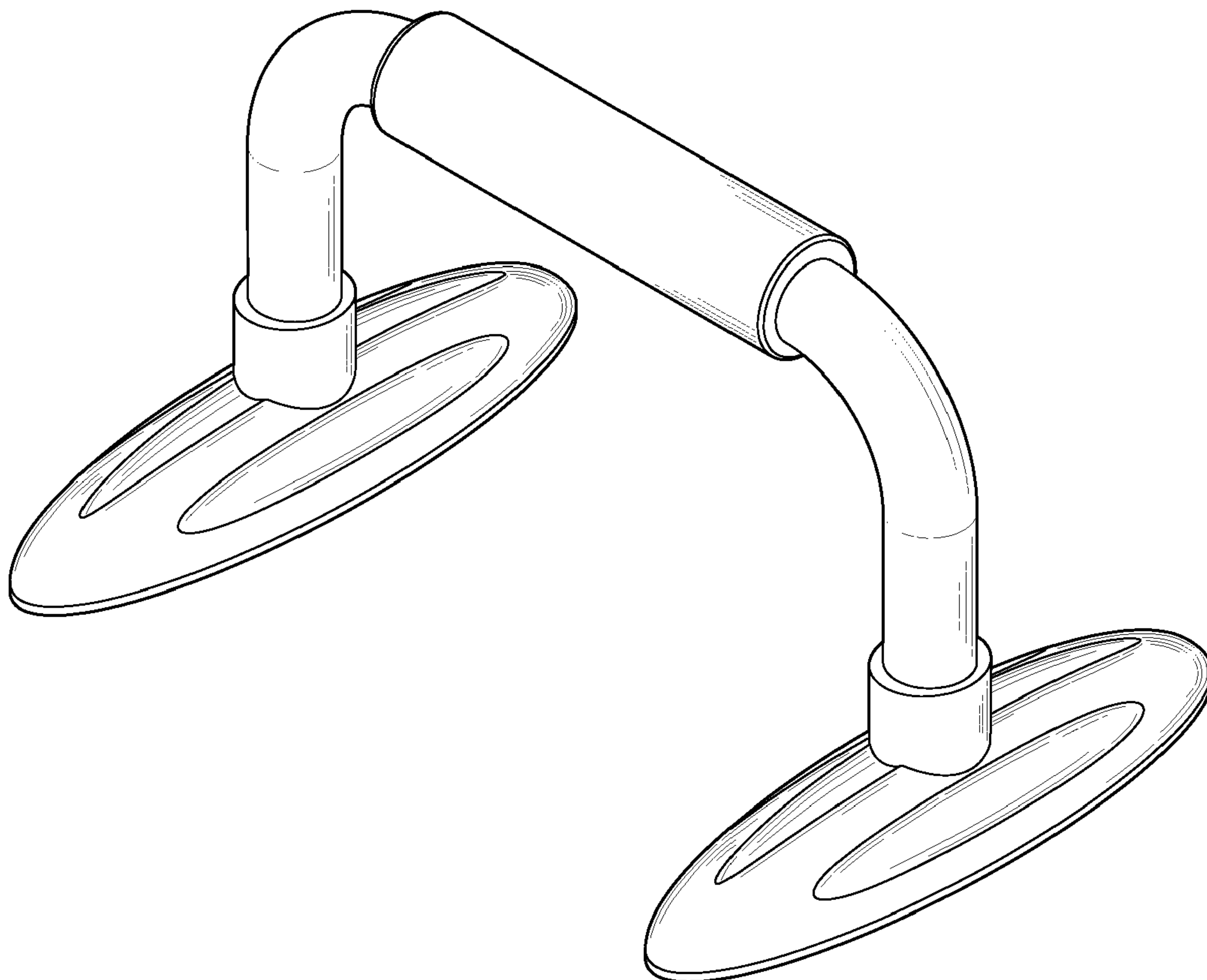
(57) **CLAIM**

The ornamental design for a push-up exerciser, as shown and described.

DESCRIPTION

FIG. 1 is a perspective view of a push-up exerciser showing my new design;
FIG. 2 is a front elevational view thereof;
FIG. 3 is a rear elevational view thereof;
FIG. 4 is a left side elevational view thereof;
FIG. 5 is a right side elevational view thereof;
FIG. 6 is a top plan view thereof; and,
FIG. 7 is a bottom plan view thereof.

1 Claim, 6 Drawing Sheets



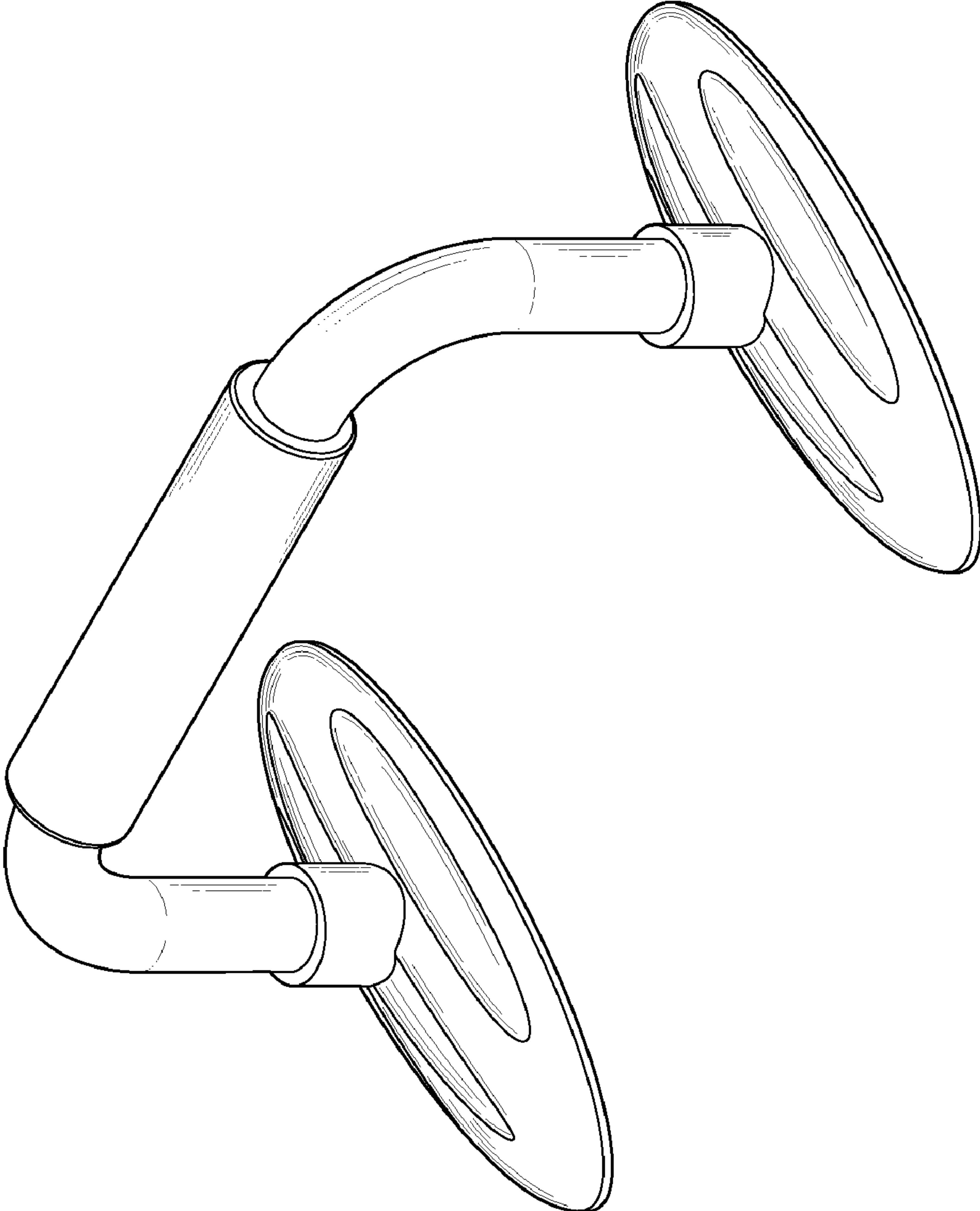


FIG. 1

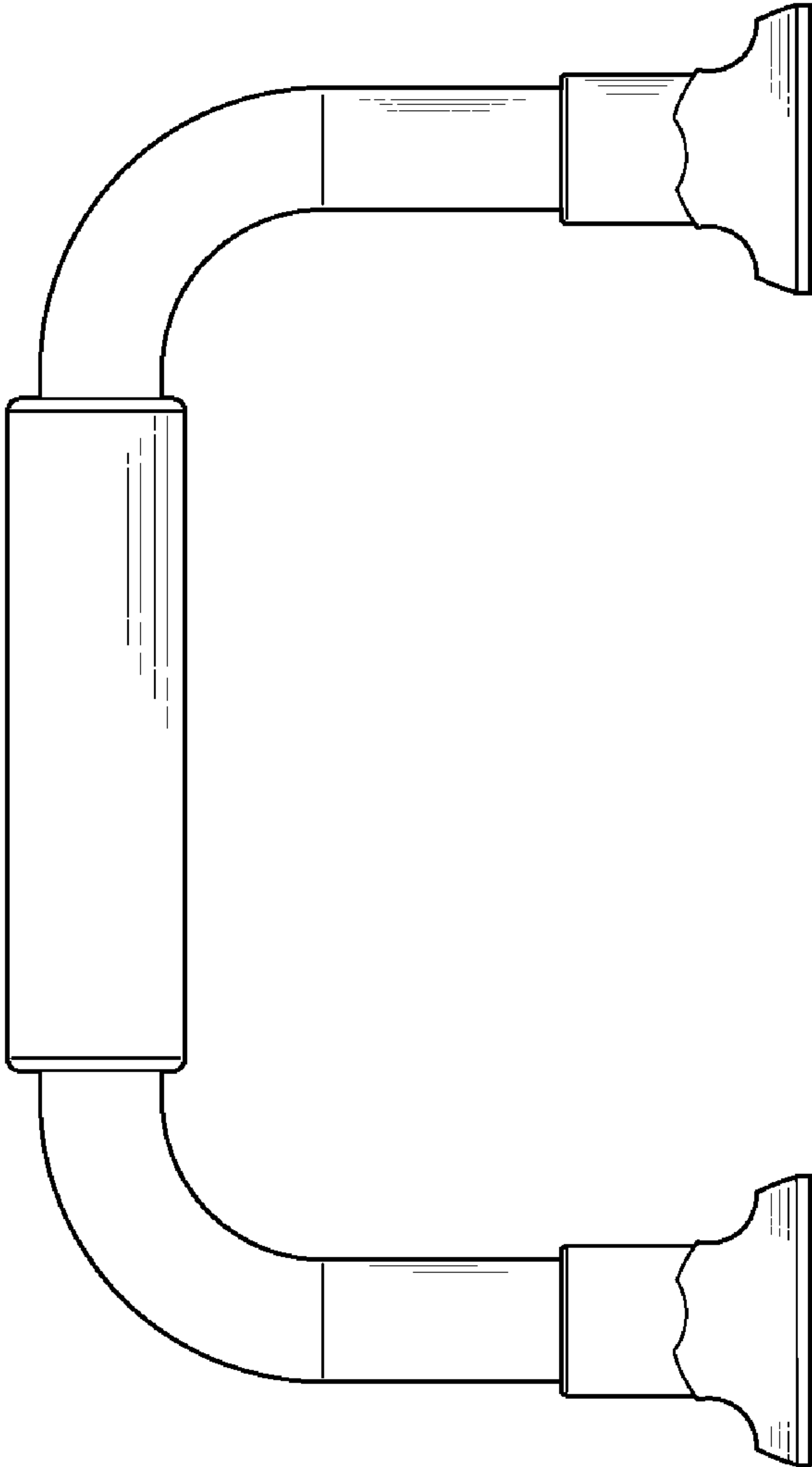


FIG. 2

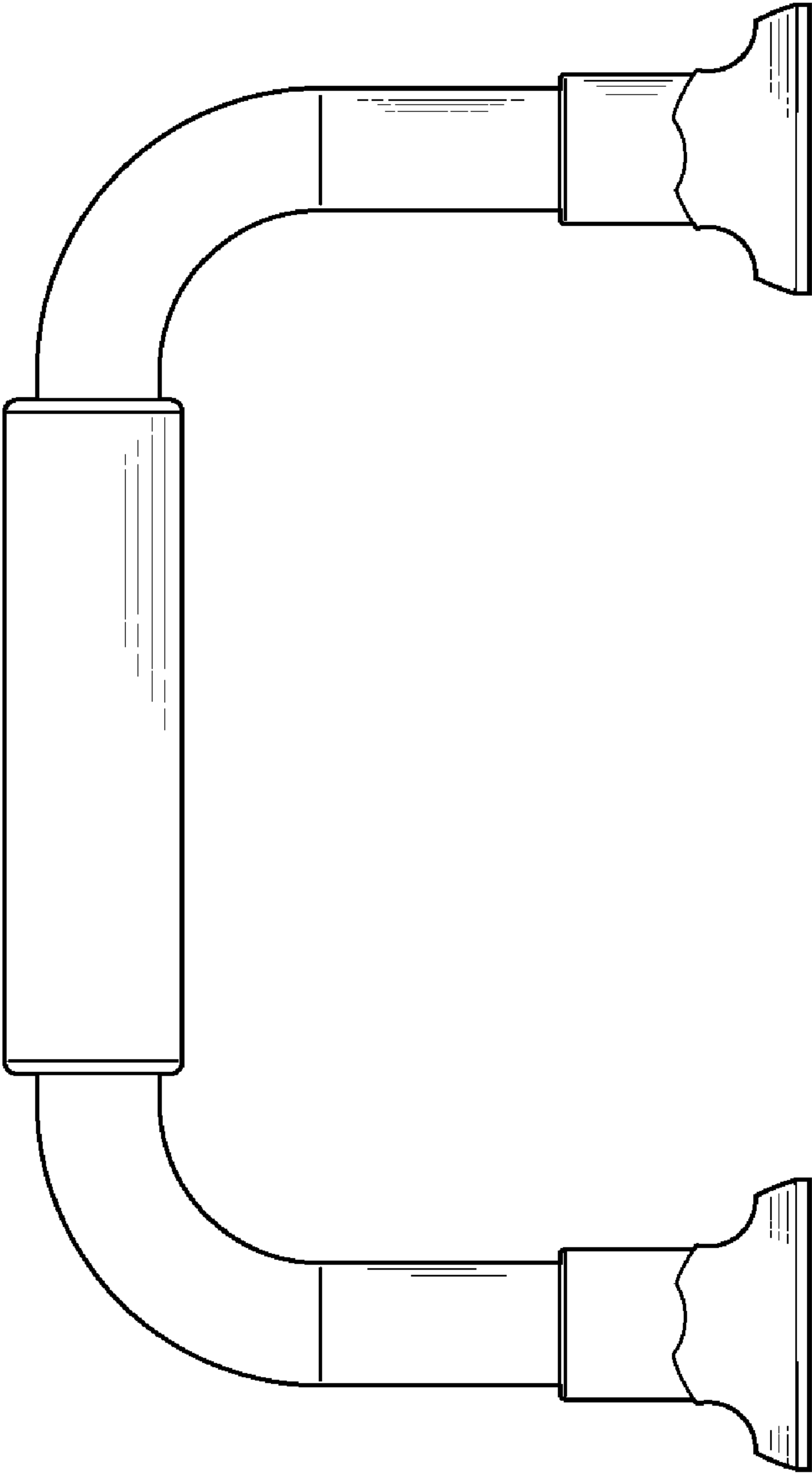


FIG. 3

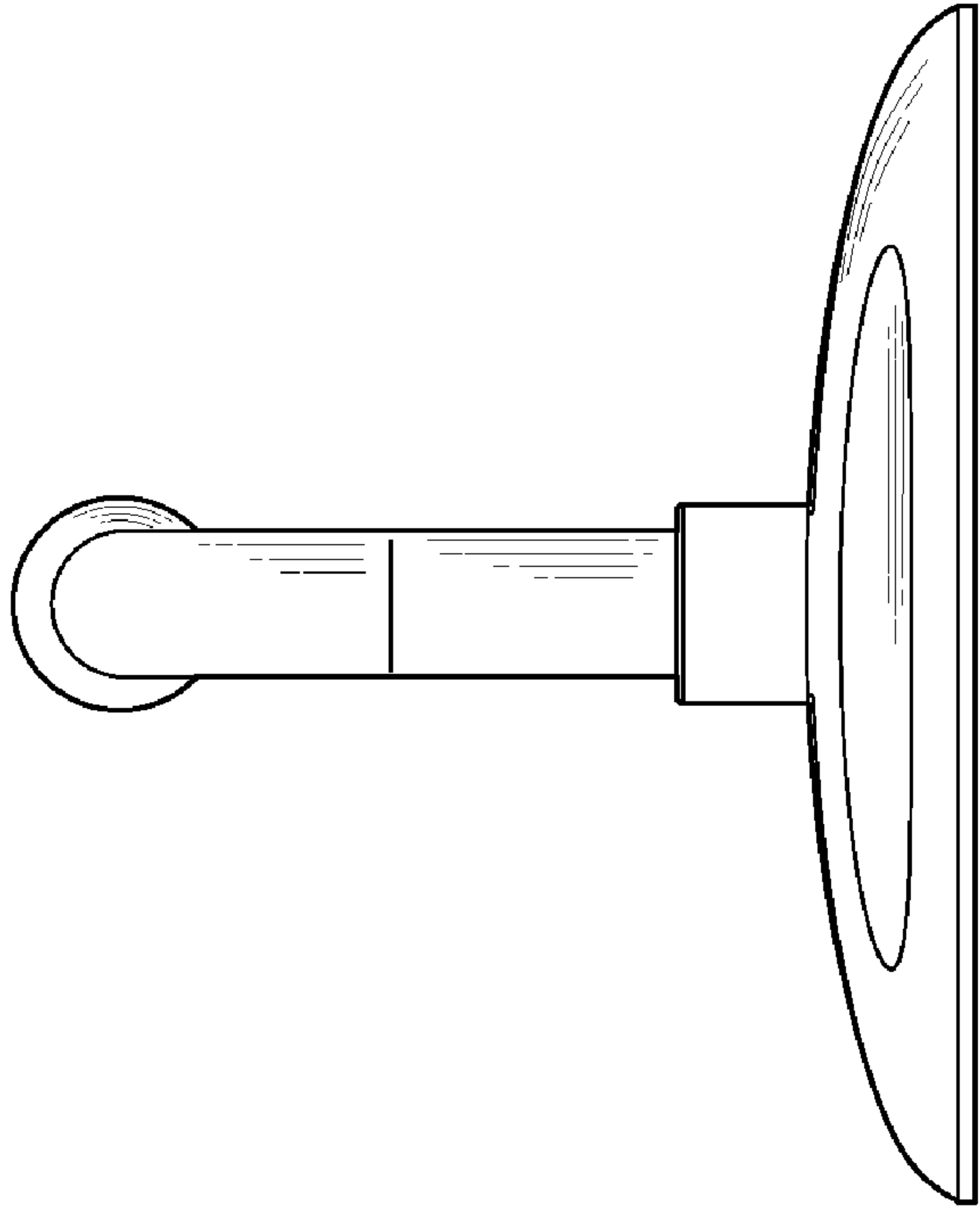


FIG. 5

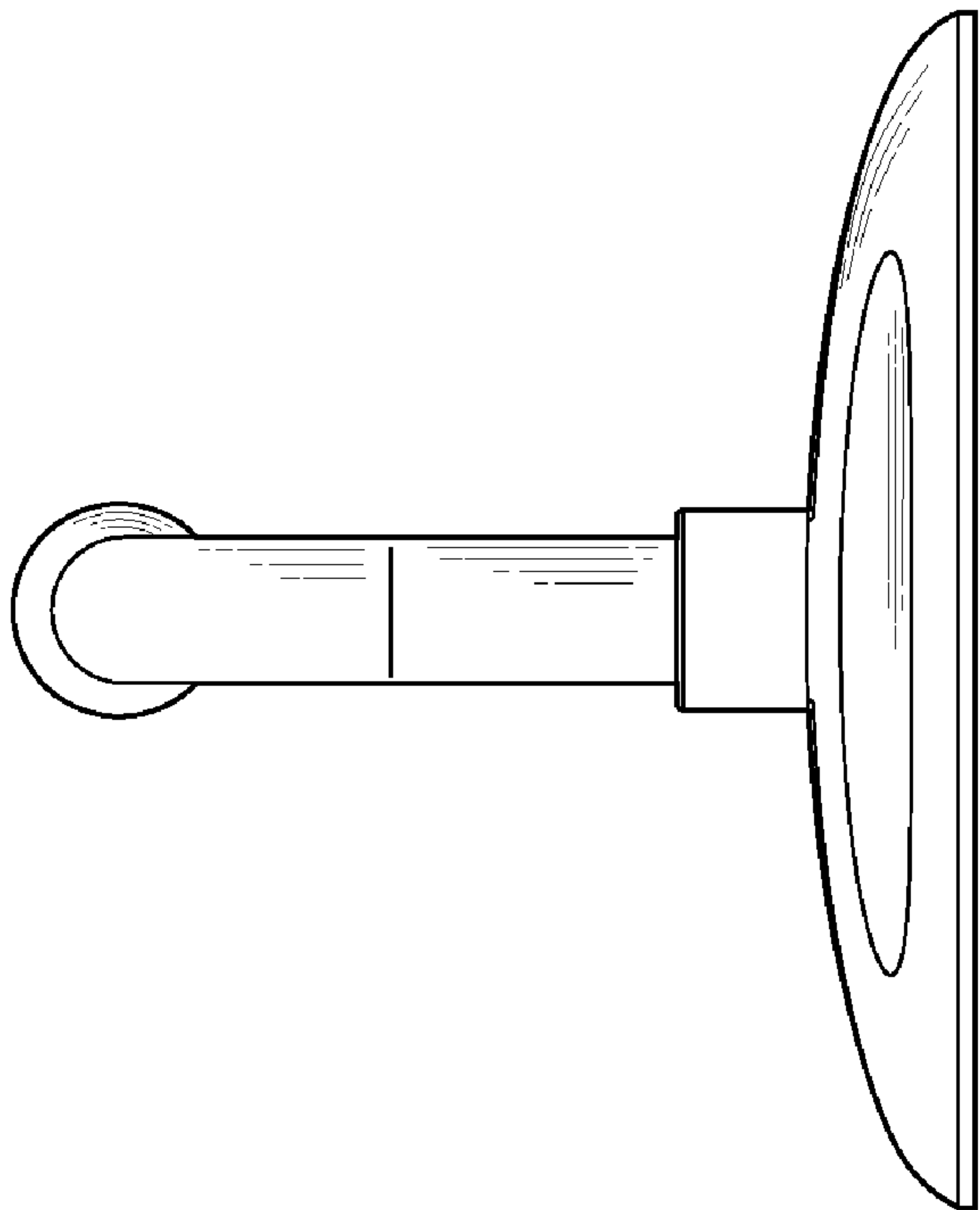


FIG. 4

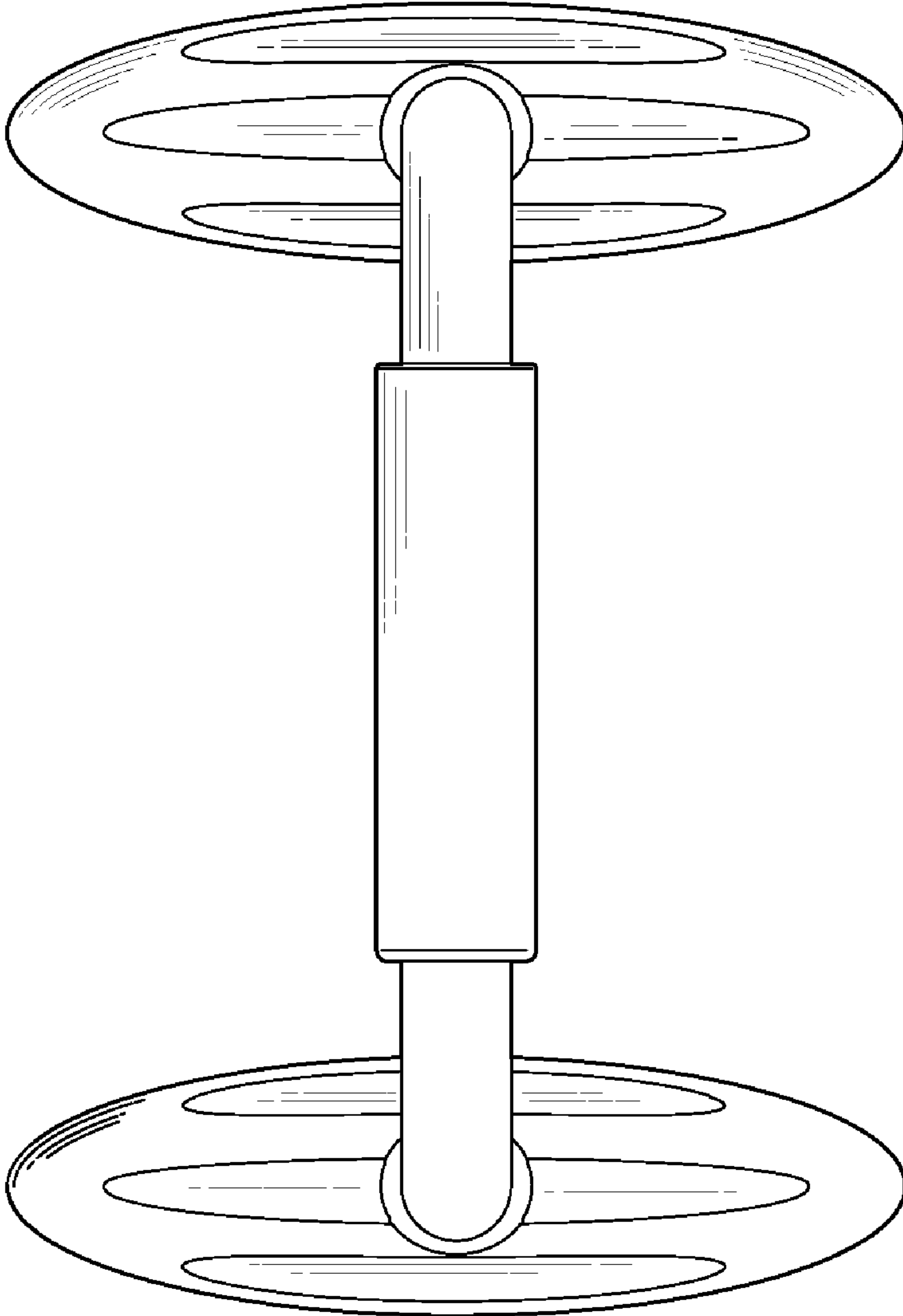


FIG. 6

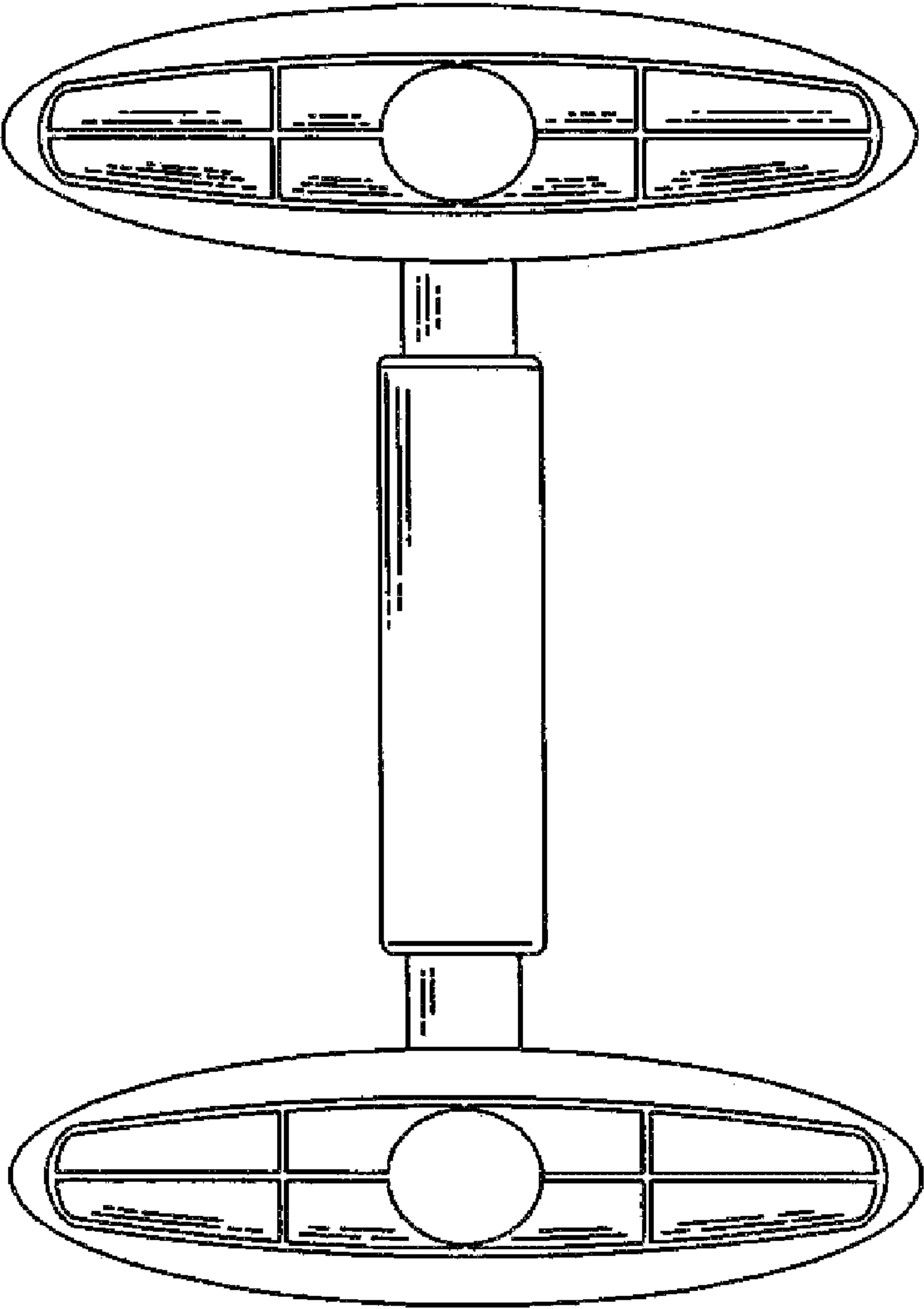


FIG. 7