



US00D580994S

(12) **United States Design Patent**
Johansson et al.

(10) **Patent No.:** **US D580,994 S**

(45) **Date of Patent:** **** Nov. 18, 2008**

(54) **TOY**

(75) Inventors: **Mats Johansson**, Stockholm (SE);
Henrik Johansson, Stockholm (SE)

(73) Assignee: **Movinto Fun AB**, Kista (SE)

(**) Term: **14 Years**

(21) Appl. No.: **29/306,863**

(22) Filed: **Apr. 17, 2008**

(30) **Foreign Application Priority Data**

Mar. 4, 2008 (EM) E-00051512-M

(51) **LOC (8) Cl.** **21-01**

(52) **U.S. Cl.** **D21/398; D12/713**

(58) **Field of Classification Search** D21/398,
D21/405, 466, 468, 498, 483, 630, 659, 579-584,
D21/707-714; D30/160; D9/668, 519; D10/2,
D10/6, 10, 22; D11/121, 125; 446/4, 69,
446/71-73, 76, 97, 268, 269, 297, 321, 330,
446/397-400, 409, 431, 437-439, 458, 475,
446/484; 473/569-614; 428/11; 119/707-711
See application file for complete search history.

(56) **References Cited**

U.S. PATENT DOCUMENTS

D286,800 S * 11/1986 Maruyama D21/584
D287,258 S * 12/1986 Maruyama D21/579
5,277,642 A * 1/1994 Dorta 446/76
D390,293 S * 2/1998 Pardorf et al. D21/468
6,186,914 B1 * 2/2001 Lin 473/594
D440,614 S * 4/2001 Audero D21/707

D468,235 S * 1/2003 Yamazaki D21/475
D521,681 S * 5/2006 Xu D27/148
D553,696 S * 10/2007 Sato et al. D21/579
D554,205 S * 10/2007 Sato et al. D21/579
D558,281 S * 12/2007 Sato et al. D21/579
7,306,504 B2 * 12/2007 Saucier 446/487
D563,495 S * 3/2008 Torres D21/713
D564,048 S * 3/2008 Sato et al. D21/584
D567,673 S * 4/2008 Chu et al. D10/15
2005/0043125 A1 * 2/2005 Nakano 473/571

FOREIGN PATENT DOCUMENTS

GB 2150839 A * 7/1985

* cited by examiner

Primary Examiner—Catherine Tuttle

(74) *Attorney, Agent, or Firm*—Mark Montague; Cowan,
Liebowitz & Latman, P.C.

(57) **CLAIM**

The ornamental design for the toy, as shown.

DESCRIPTION

FIG. 1 is a top front perspective view of the toy showing our
new design;

FIG. 2 is a top plan view thereof;

FIG. 3 is a bottom rear perspective view thereof;

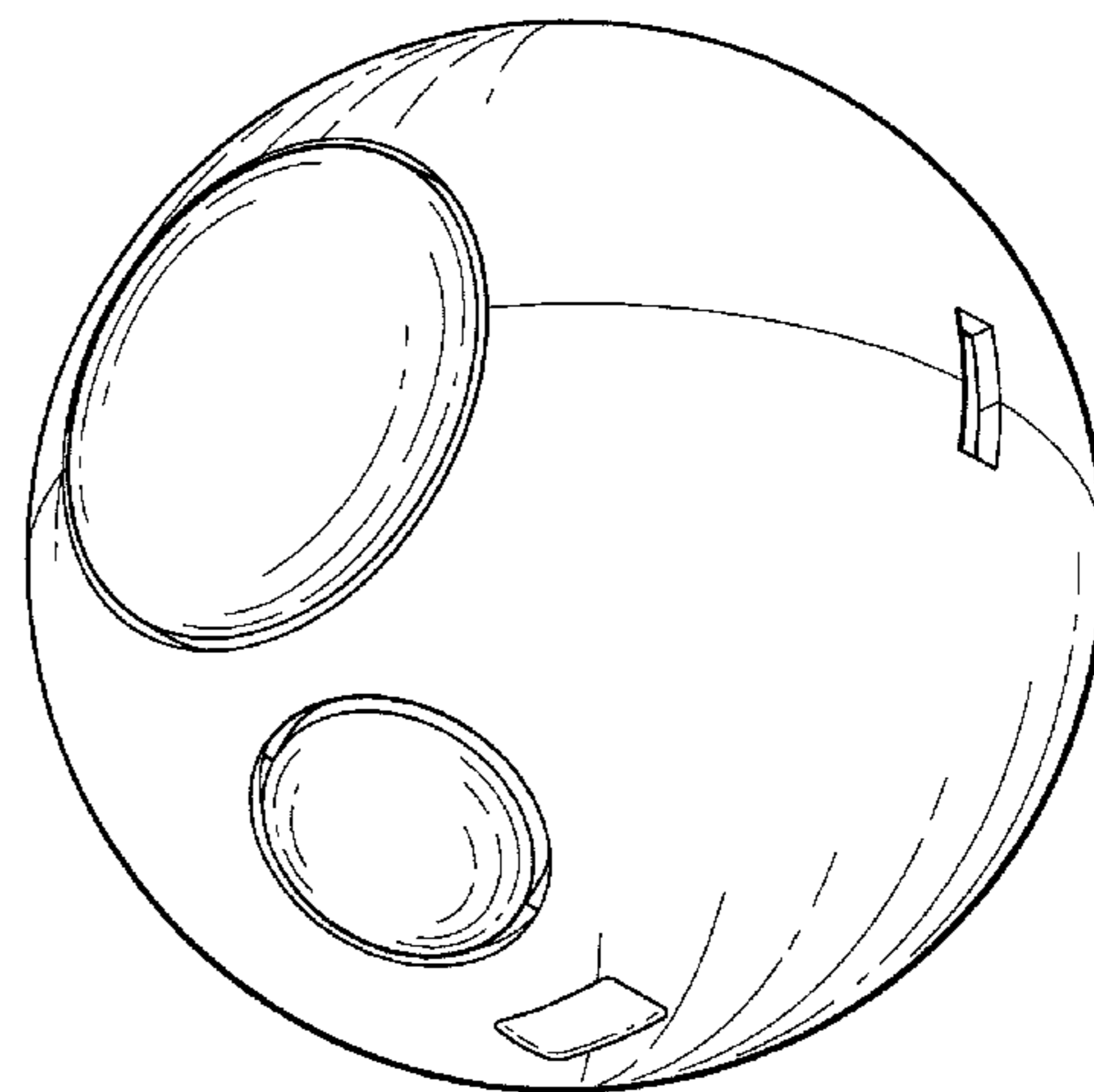
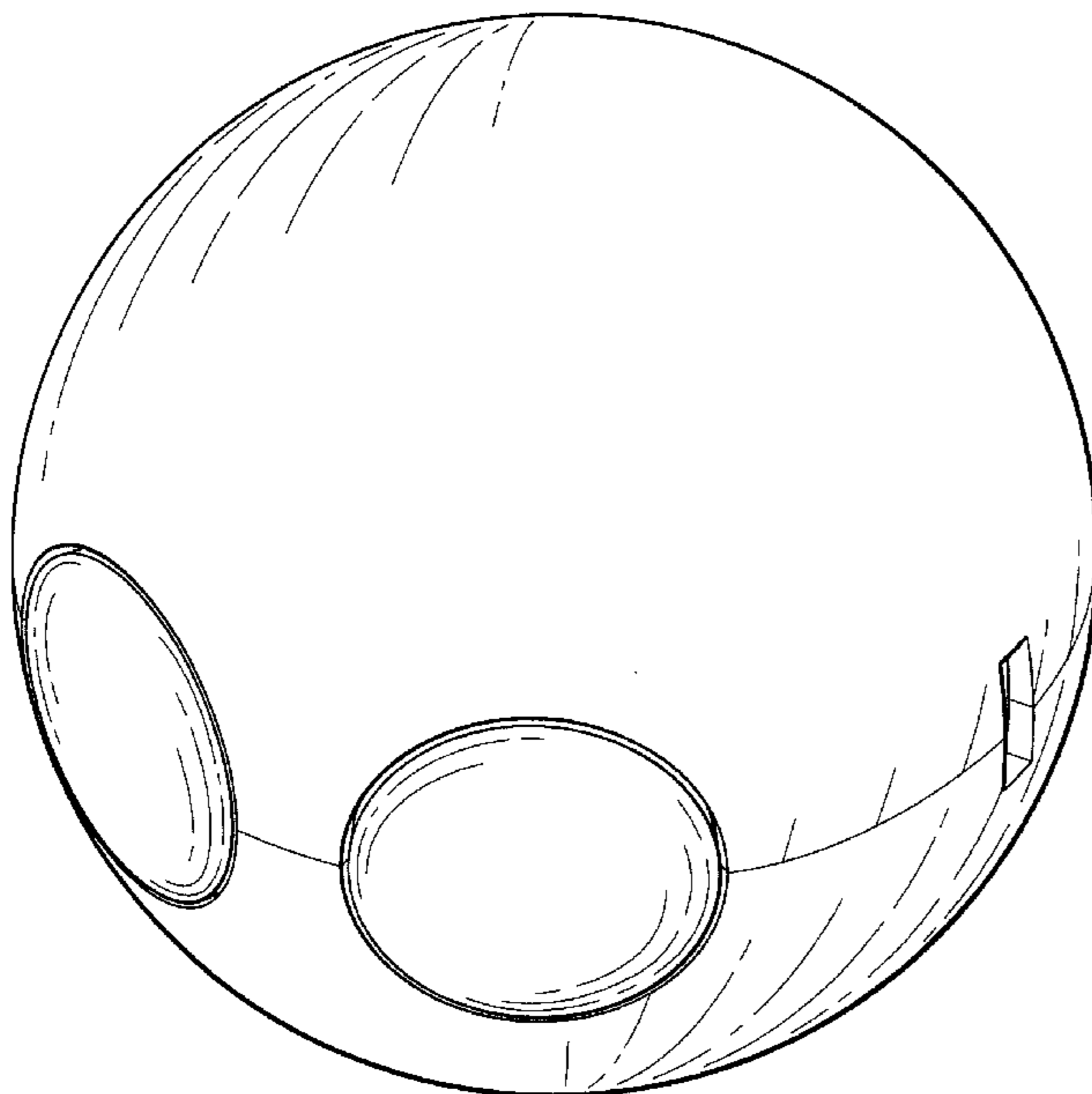
FIG. 4 is a bottom plan view thereof;

FIG. 5 is a front elevational view thereof;

FIG. 6 is a rear elevational view thereof; and,

FIG. 7 is a side elevational view thereof.

1 Claim, 4 Drawing Sheets



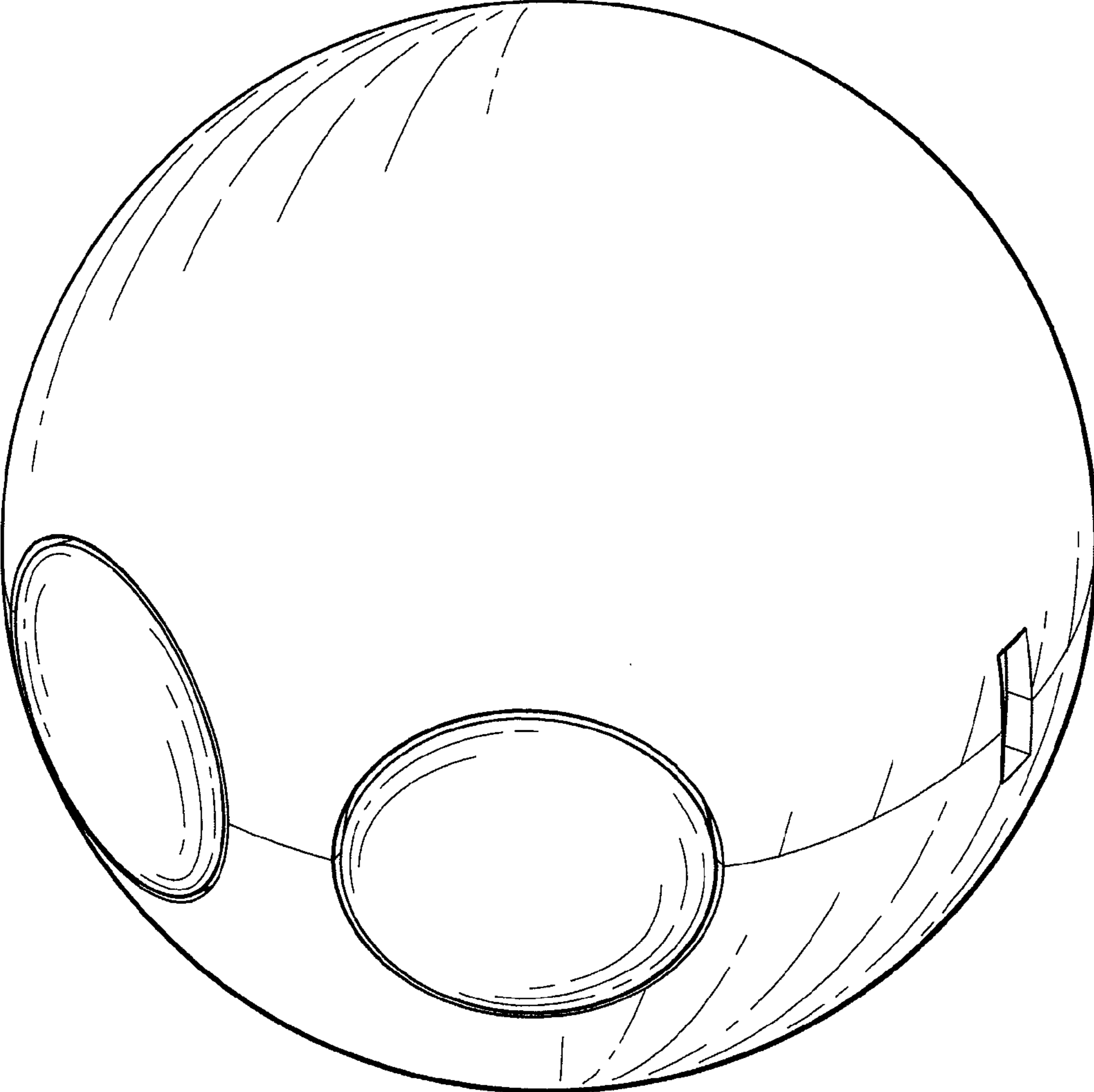


FIG. 1

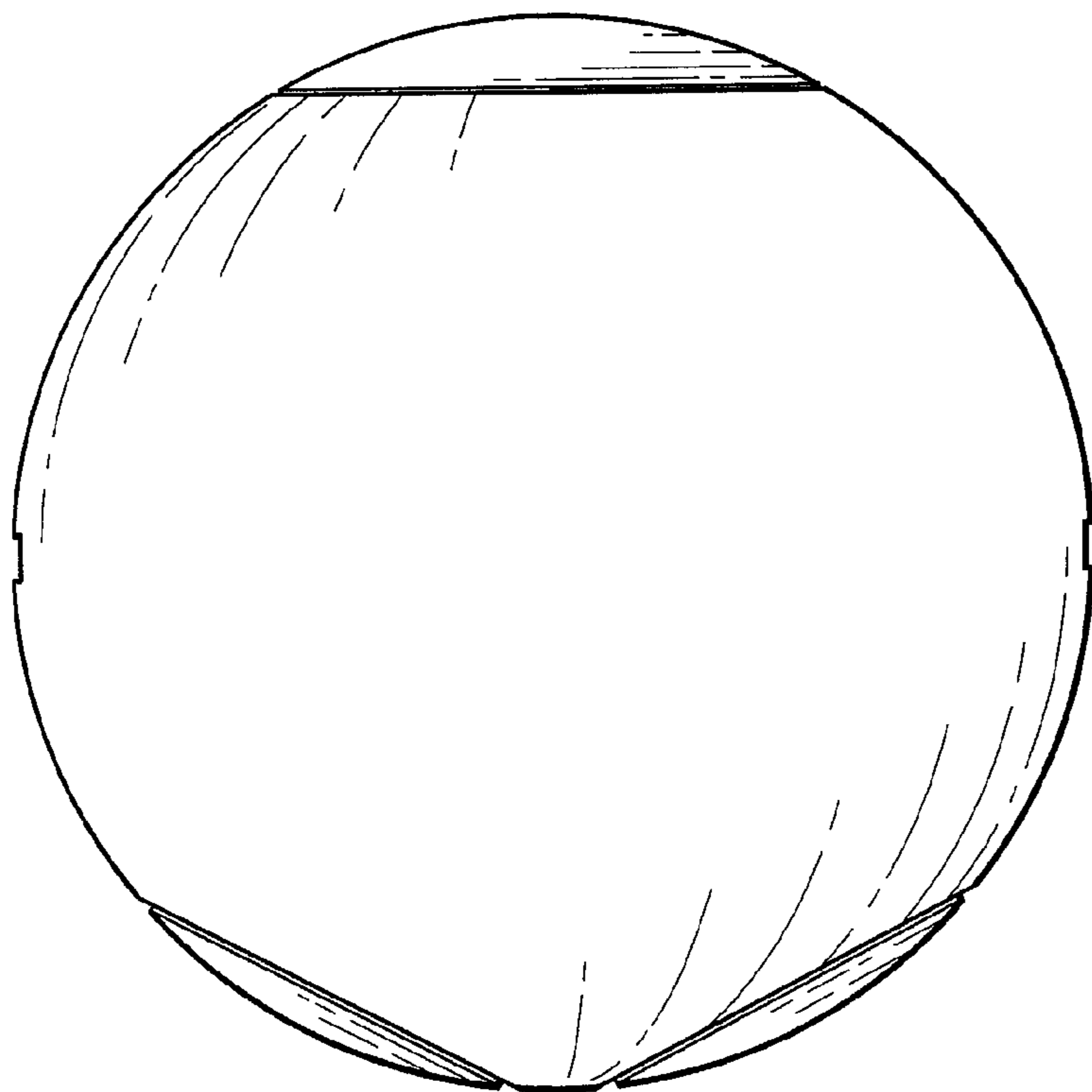


FIG. 2

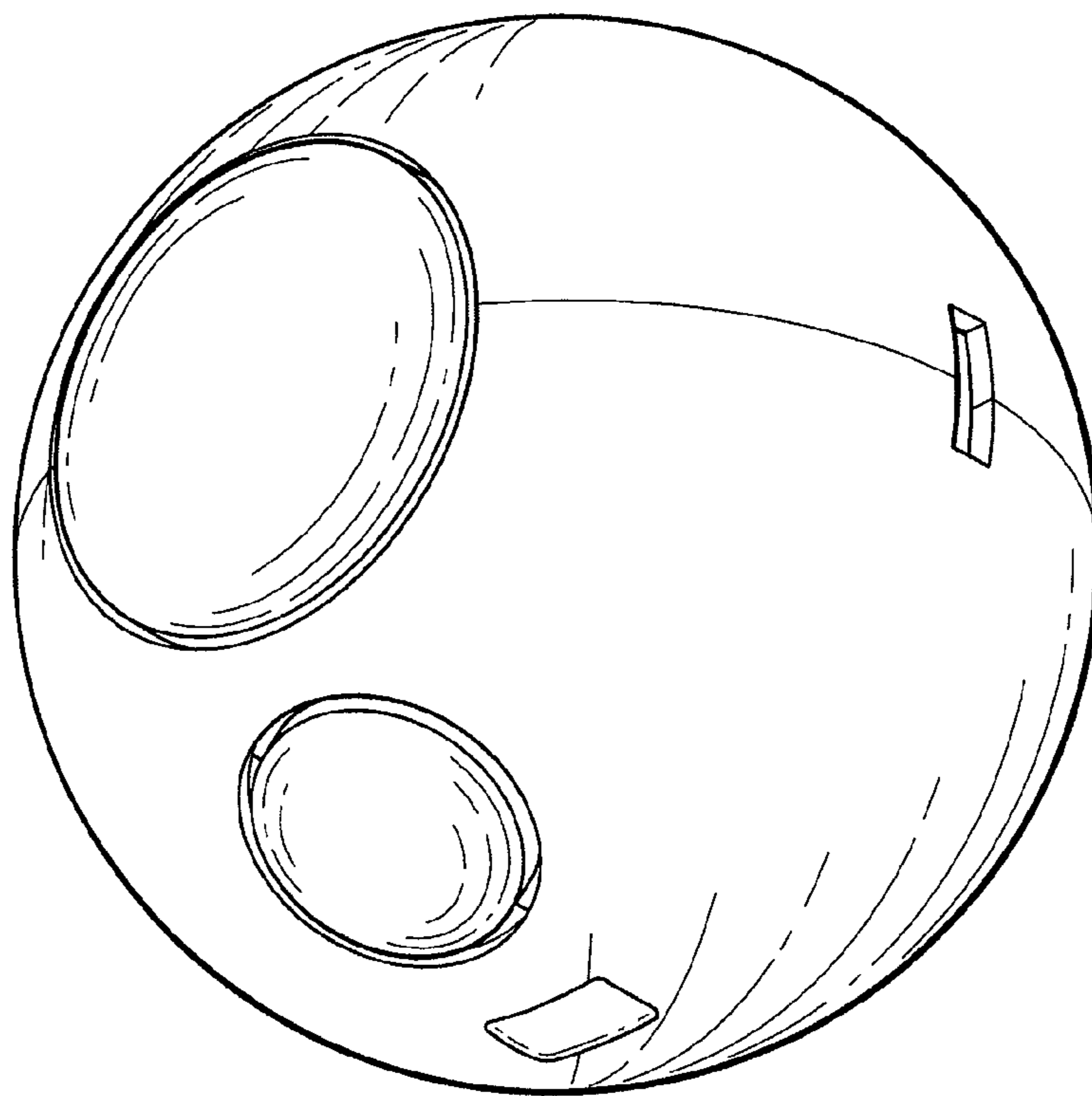


FIG. 3

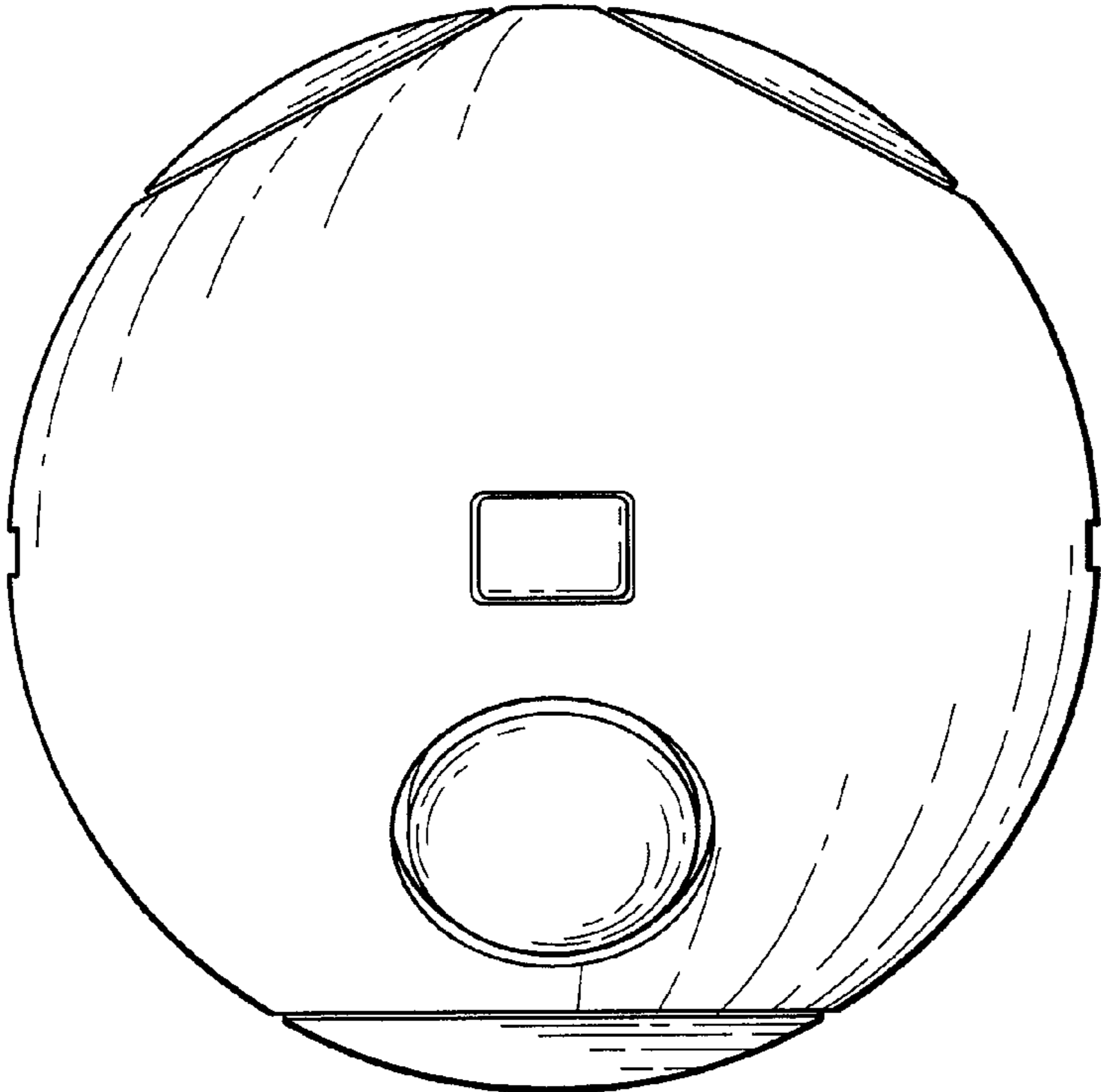


FIG. 4

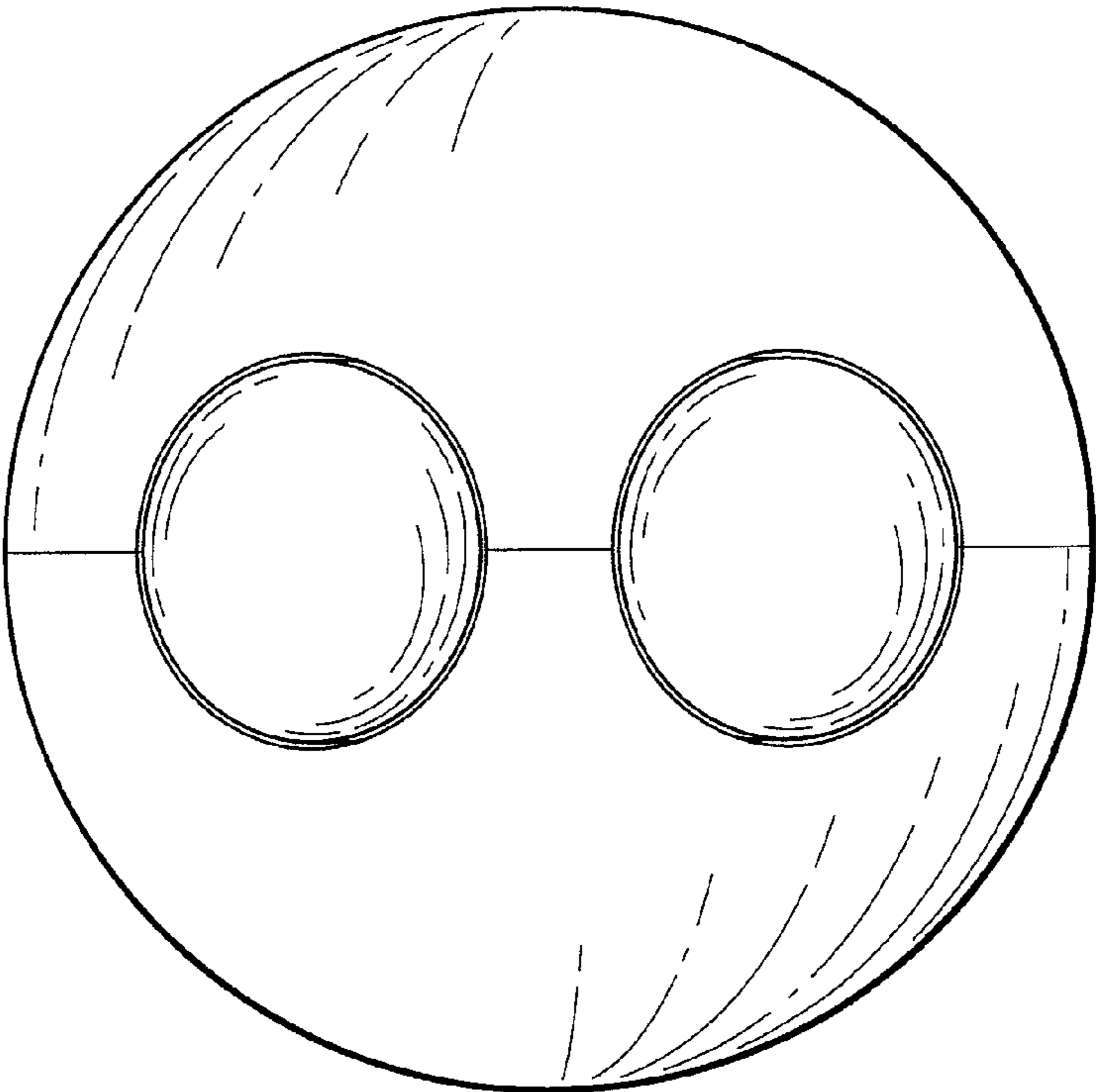


FIG. 5

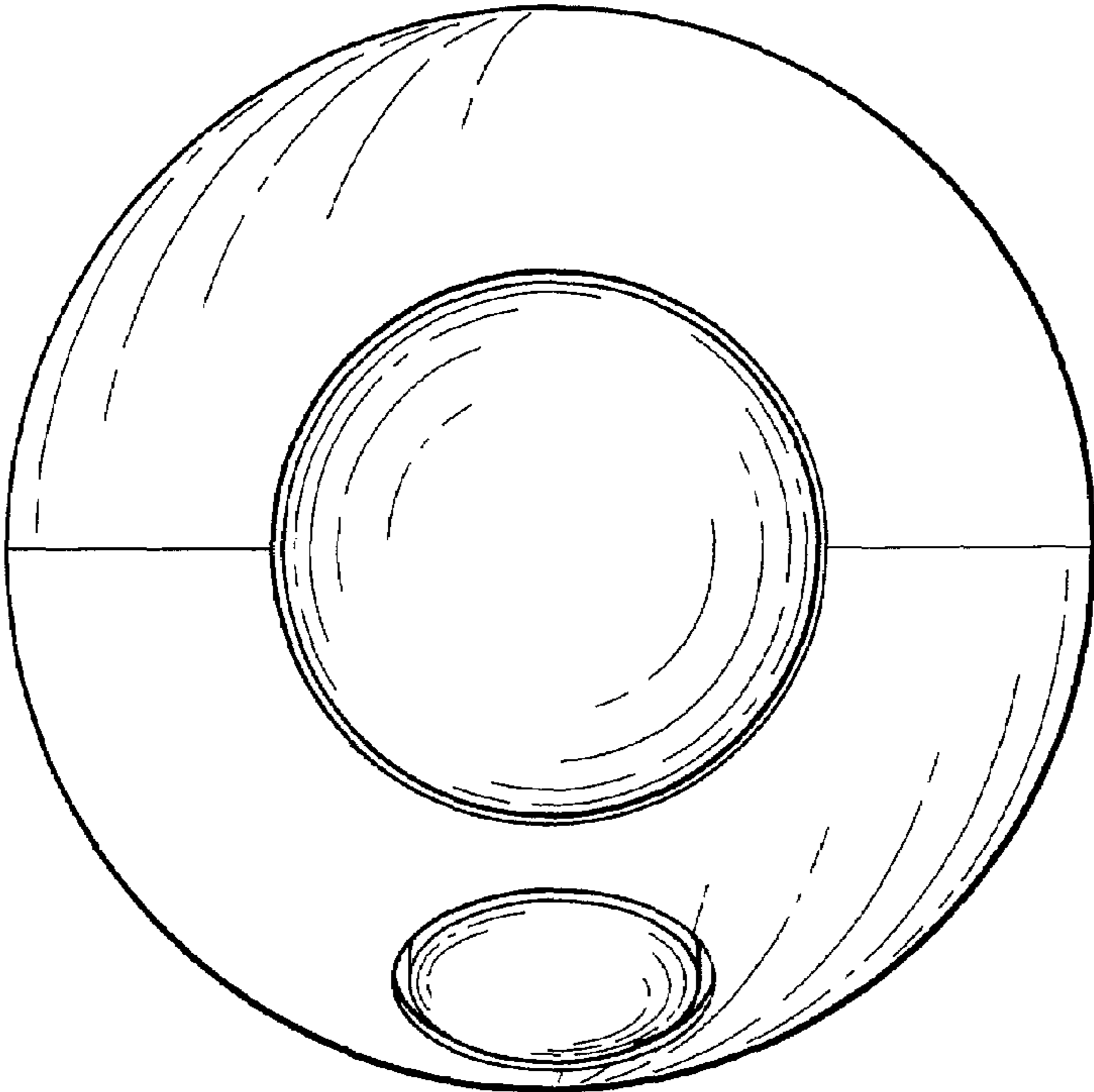


FIG. 6

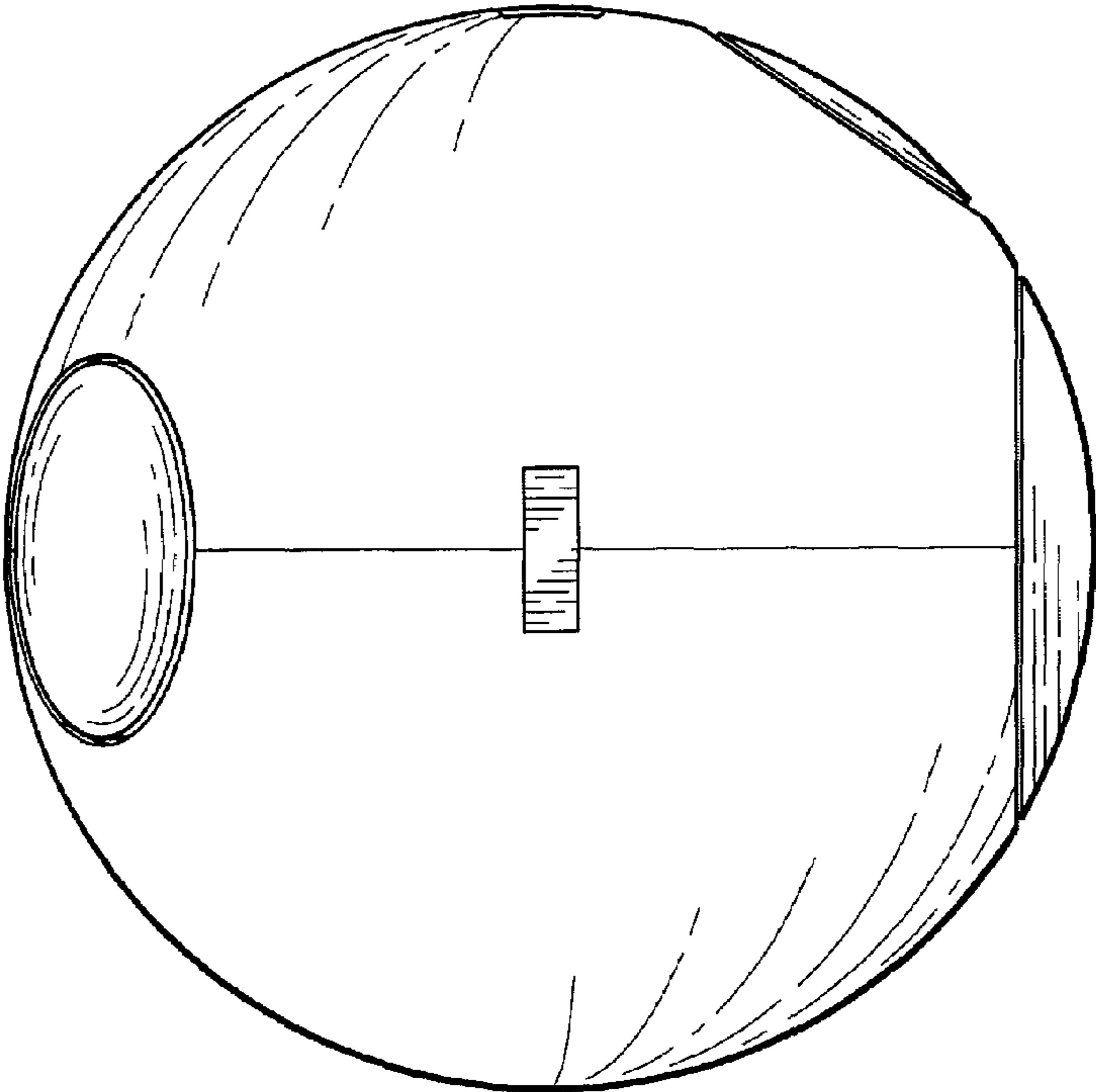


FIG. 7