



US00D580993S

(12) **United States Design Patent**  
**Mailing et al.**

(10) **Patent No.:** **US D580,993 S**

(45) **Date of Patent:** **\*\* Nov. 18, 2008**

(54) **CARD DEALER**

(75) Inventors: **Paul A. Mailing**, Toronto (CA);  
**Konstantinos Trichas**, North York (CA);  
**Jean Tsiambouris**, Mississauga (CA)

(73) Assignee: **Matheos Corp.**, Toronto, ON (CA)

(\*\*) Term: **14 Years**

(21) Appl. No.: **29/274,887**

(22) Filed: **Jun. 5, 2007**

(51) **LOC (8) Cl.** ..... **21-01**

(52) **U.S. Cl.** ..... **D21/396**

(58) **Field of Classification Search** ..... D21/385,  
D21/392; 273/148 R, 148 A, 149 R, 149 P;  
463/12, 47

See application file for complete search history.

(56) **References Cited**

**U.S. PATENT DOCUMENTS**

D232,953 S \* 9/1974 Shigeo ..... D21/396  
5,669,816 A \* 9/1997 Garczynski et al. .... 463/12

D432,589 S \* 10/2000 Hill ..... D21/396  
6,357,658 B1 \* 3/2002 Garczynski et al. .... 235/462.01  
D488,193 S \* 4/2004 Girard ..... D21/396  
D490,481 S \* 5/2004 Hessing ..... D21/396

\* cited by examiner

*Primary Examiner*—Sandra Morris

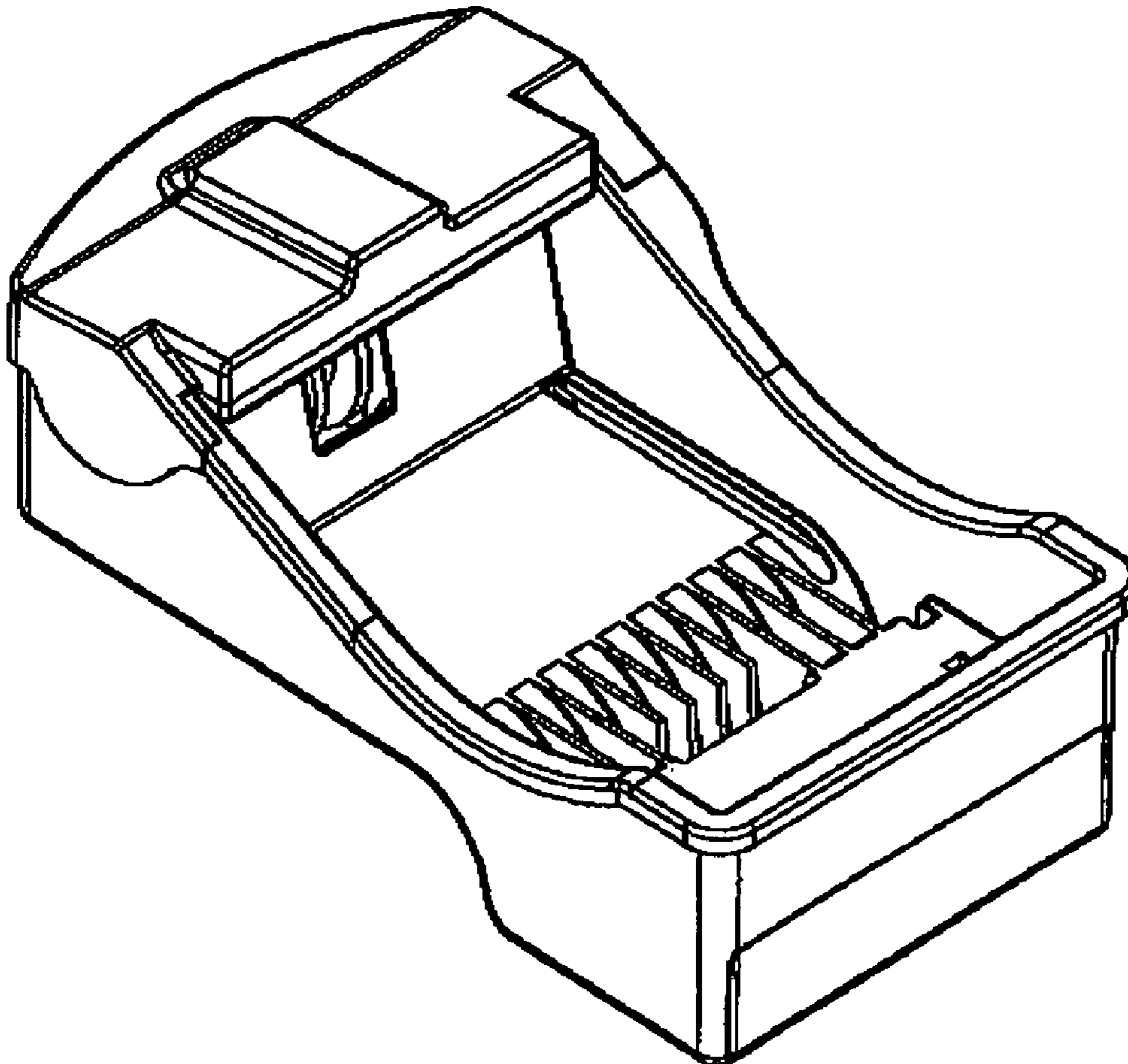
(57) **CLAIM**

An ornamental design for a card dealer, as shown.

**DESCRIPTION**

FIG. 1 is a perspective view of the card dealer;  
FIG. 2 is a top view of the card dealer;  
FIG. 3 is a further perspective view of the card dealer;  
FIG. 4 is a right side view of the card dealer shown in FIG. 1;  
FIG. 5 is a left end view of the card dealer shown in FIG. 1;  
FIG. 6 is the left side view of the card dealer shown in FIG. 1;  
and,  
FIG. 7 is a right end view of the card dealer shown in FIG. 1.

**1 Claim, 4 Drawing Sheets**



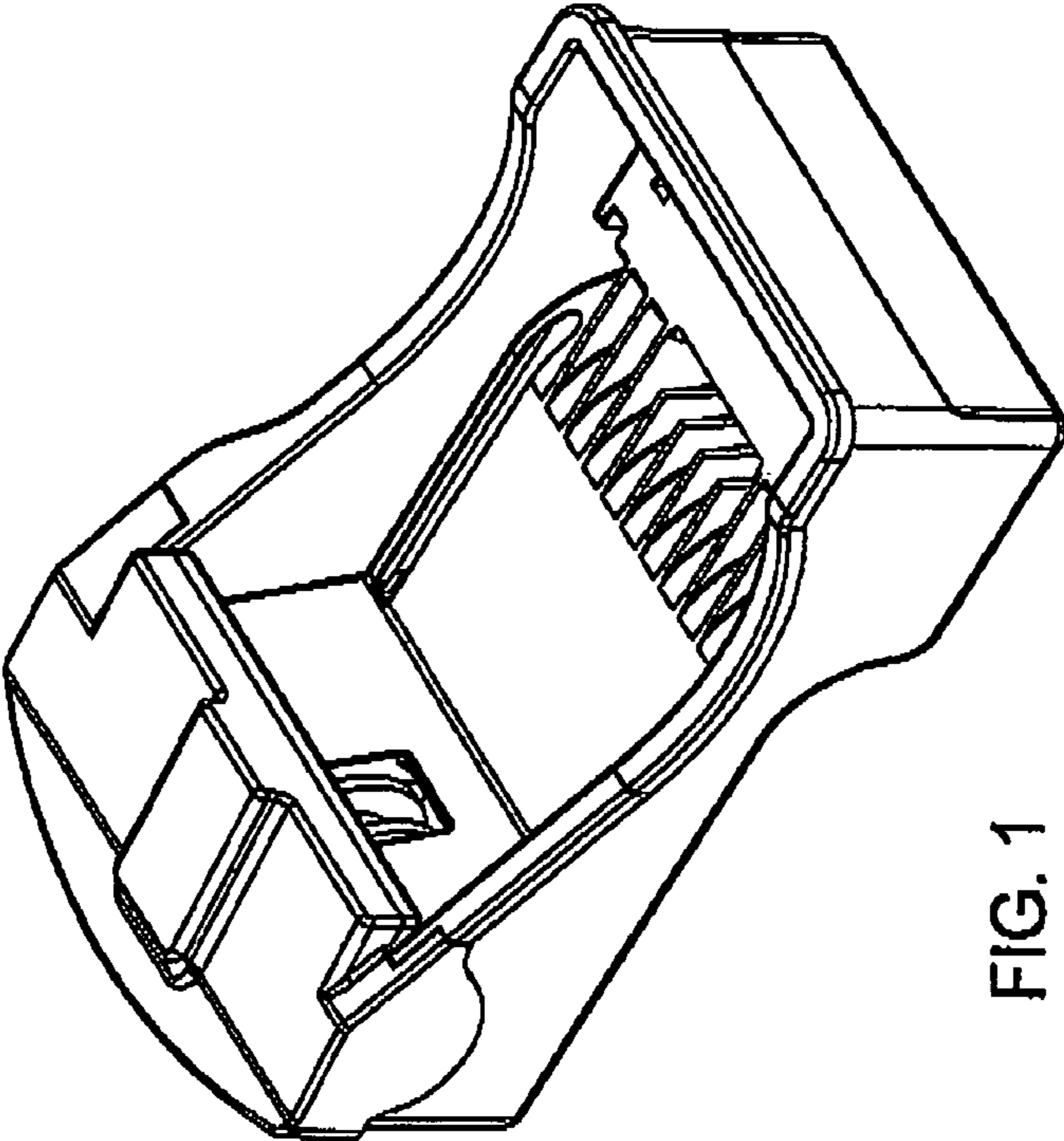


FIG. 1

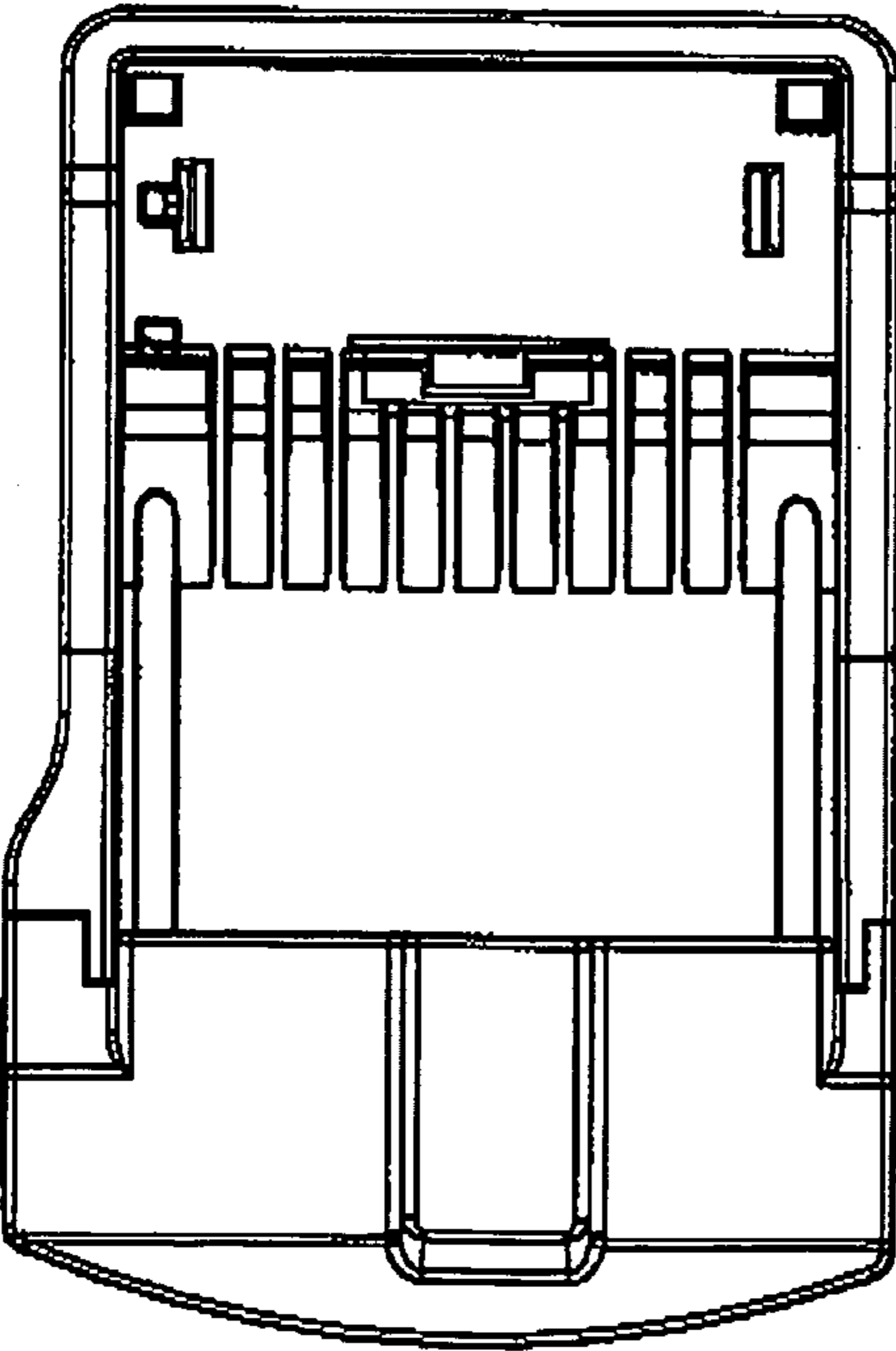


FIG. 2

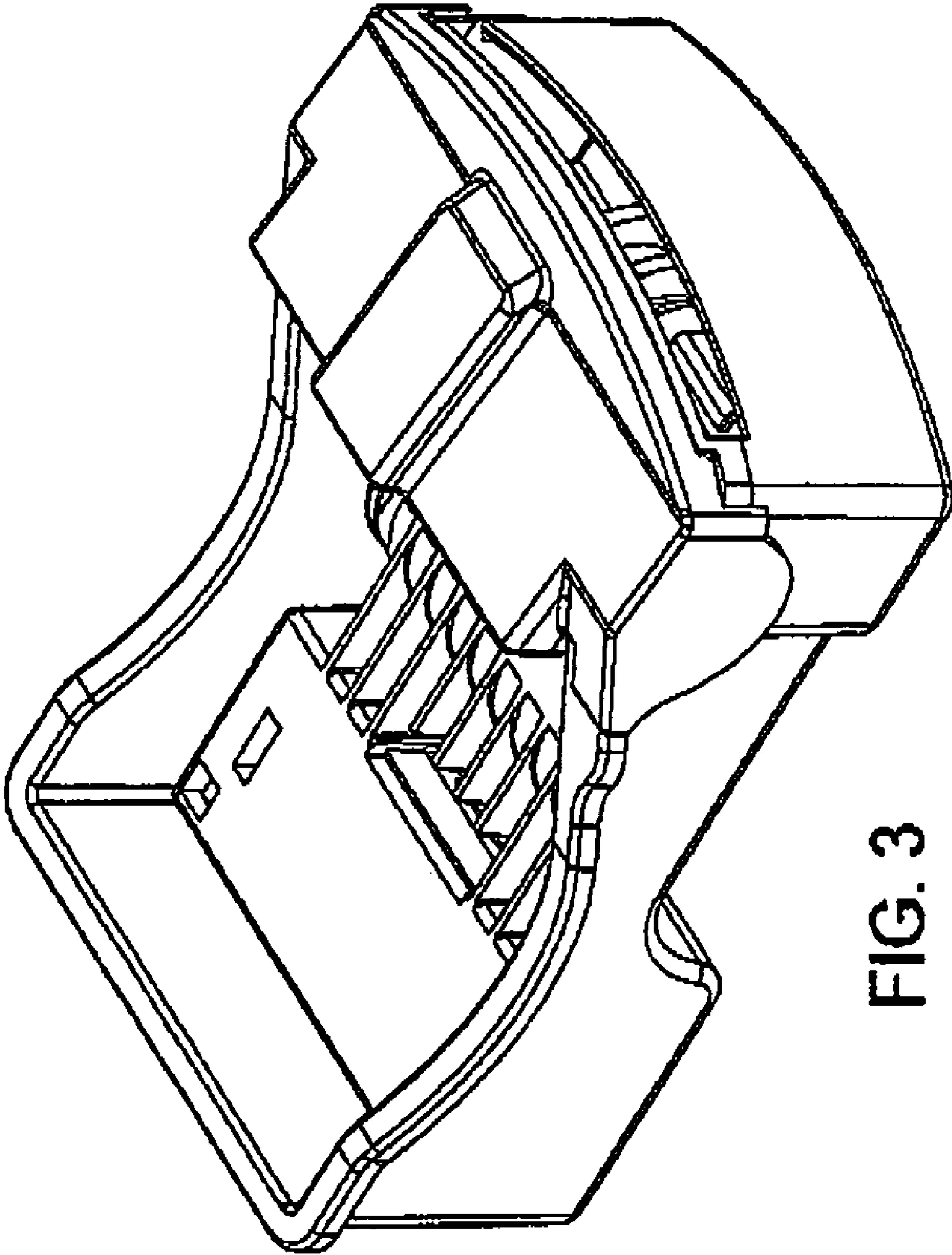


FIG. 3

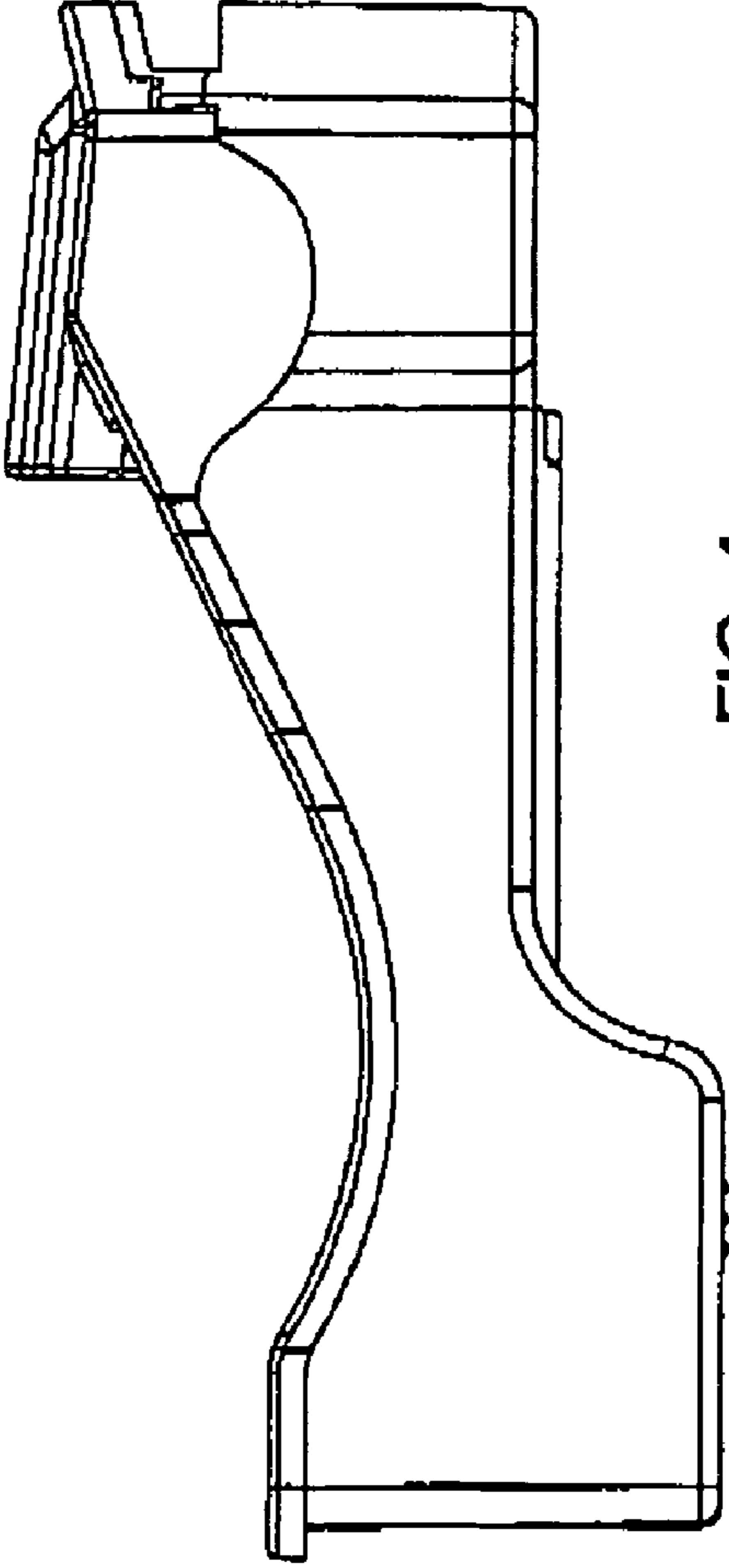


FIG. 4

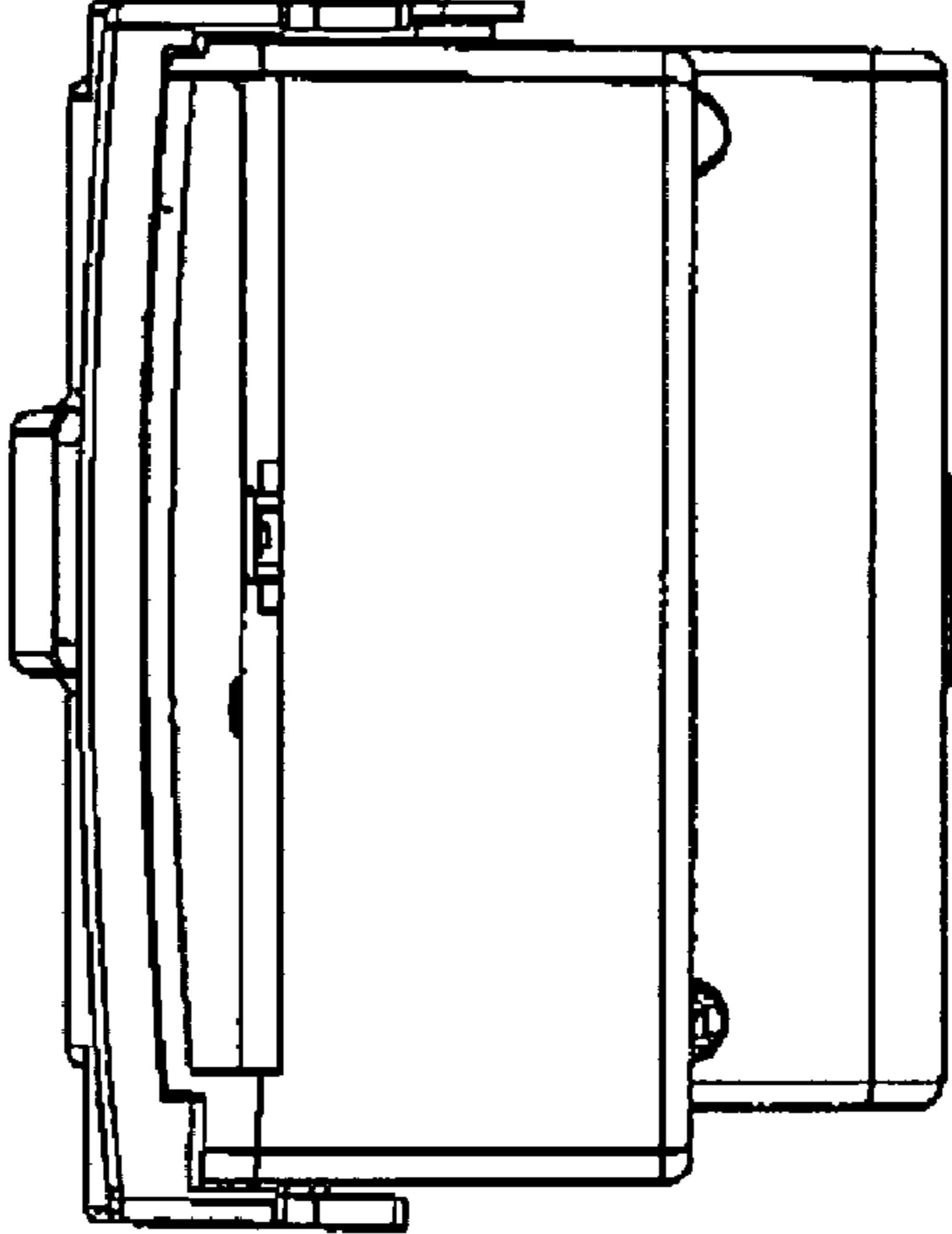


FIG. 5

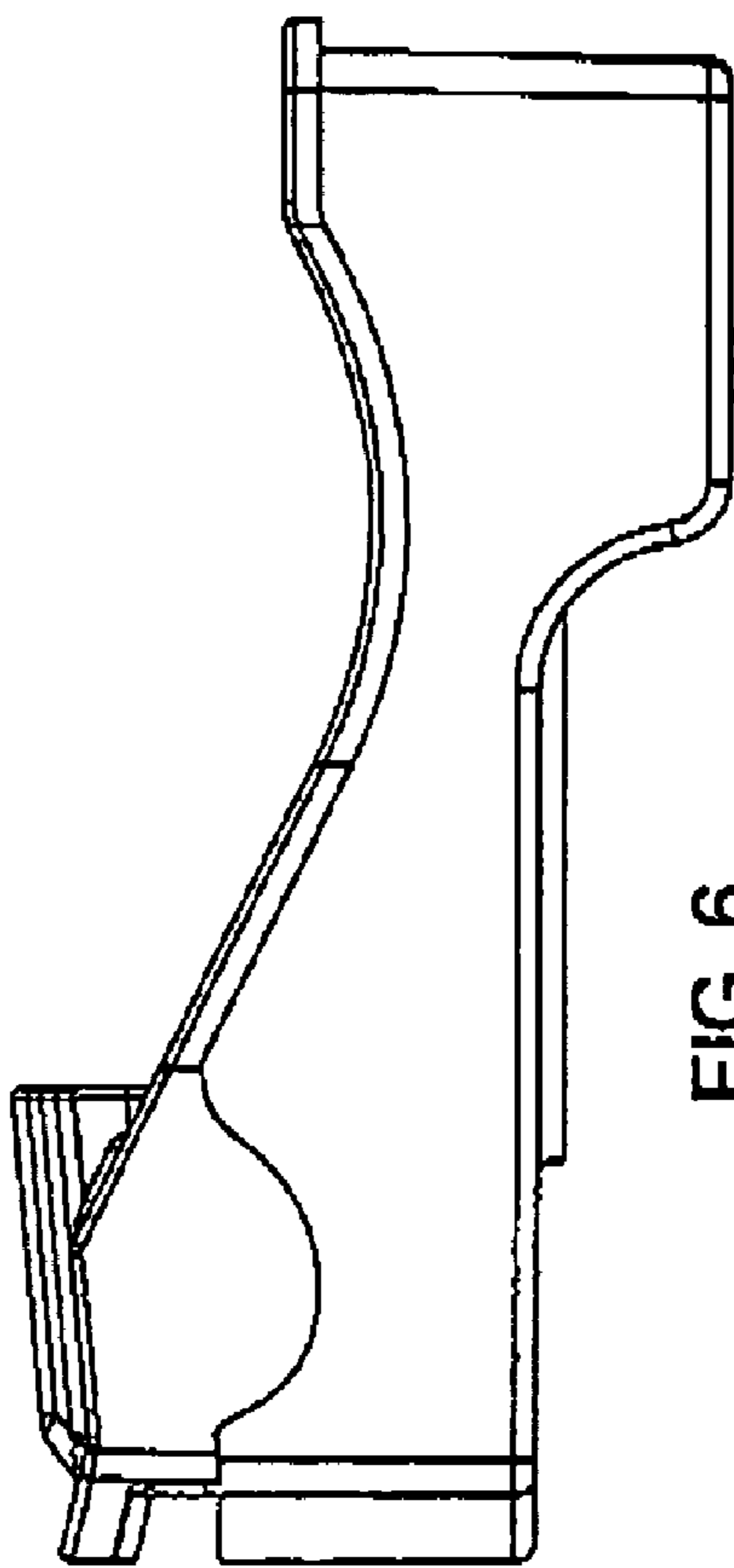


FIG. 6

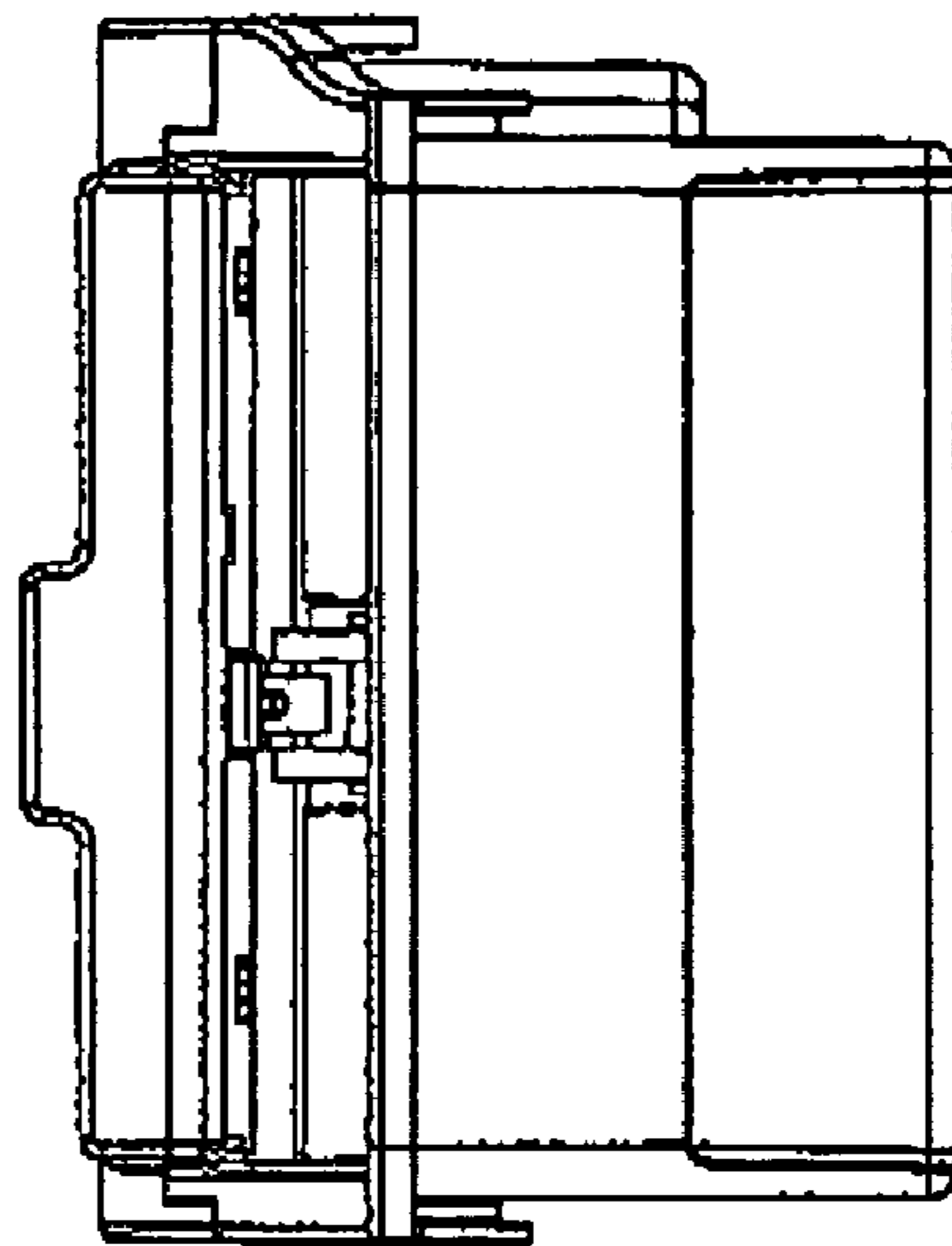


FIG. 7