



US00D580991S

(12) **United States Design Patent**
Smith

(10) **Patent No.:** **US D580,991 S**
(45) **Date of Patent:** **** Nov. 18, 2008**

(54) **LITERATURE HOLDER**

(75) Inventor: **Aaron W. Smith**, Plainfield, IL (US)

(73) Assignee: **Sanford, L.P.**, Oak Brook, IL (US)

(**) Term: **14 Years**

(21) Appl. No.: **29/269,202**

(22) Filed: **Nov. 22, 2006**

(51) **LOC (8) Cl.** **19-02**

(52) **U.S. Cl.** **D19/91**

(58) **Field of Classification Search** D6/475,
D6/300, 310, 313, 314, 476, 455, 490, 458,
D6/459, 460, 461, 462, 463, 464, 465, 466,
D6/467, 468; D19/26, 27, 32, 75, 76, 86,
D19/90, 91, 92, 98, 99, 100, 65, 95; D20/27,
D20/40, 43; 206/214, 215, 733, 734; 211/10,
211/11, 32, 33, 38, 45, 50, 55, 60.9, 72; 312/183,
312/193; 248/444.1, 452, 465.1
See application file for complete search history.

(56) **References Cited**

U.S. PATENT DOCUMENTS

317,566	A *	5/1885	Pattberg	248/441.1
623,594	A	4/1899	Burt		
D37,304	S	1/1905	Palmer		
D39,376	S	6/1908	Berelzheimer		
1,045,747	A *	11/1912	Richendrfer et al.	40/356
D71,560	S	11/1926	Nash		
D76,662	S	10/1928	Buchenau et al.		
1,919,687	A *	7/1933	Deline	211/72
D117,501	S *	11/1939	Schneider	D20/43
D118,443	S *	1/1940	Fisk et al.	D6/313
2,292,932	A	8/1942	Edwards	211/128
D141,059	S *	1/1945	Siegel	D6/314
2,368,909	A	2/1945	Wright	211/128
D143,672	S *	1/1946	Romberg	D6/314
2,409,814	A	10/1946	Vargish	40/152.1
2,490,356	A *	12/1949	Hummel	248/463
D156,693	S *	1/1950	Bergal	D6/475

D161,591	S *	1/1951	Payer	D6/476
D163,781	S *	6/1951	Walker	D20/43
D167,820	S *	9/1952	Zel et al.	D6/463
D168,813	S	2/1953	Vetter	D80/9
D170,098	S	7/1953	Swanson	D33/2
D187,010	S	1/1960	Oster	D80/10
3,208,598	A *	9/1965	Glassenberg	211/50
3,231,097	A *	1/1966	Hodson	248/220.42
3,272,183	A *	9/1966	Craighead et al.	248/453
D221,191	S *	7/1971	Nutt	D19/91
3,692,273	A *	9/1972	Woolman	248/460
D226,701	S *	4/1973	Gallat	D6/473
3,777,897	A	12/1973	Gray	211/55
D234,172	S *	1/1975	Ranney	D6/490
3,884,410	A *	5/1975	Giesecke	229/164
D236,172	S	8/1975	Berlin	D20/2
3,914,888	A	10/1975	Garrison	40/10
D240,098	S	6/1976	Juhlin	D20/2
D250,960	S	1/1979	Bitner, Jr. et al.	D19/90

(Continued)

Primary Examiner—Elizabeth A. Albert
Assistant Examiner—Karen E Eldridge Powers
(74) *Attorney, Agent, or Firm*—Marshall Gerstein & Borun LLP

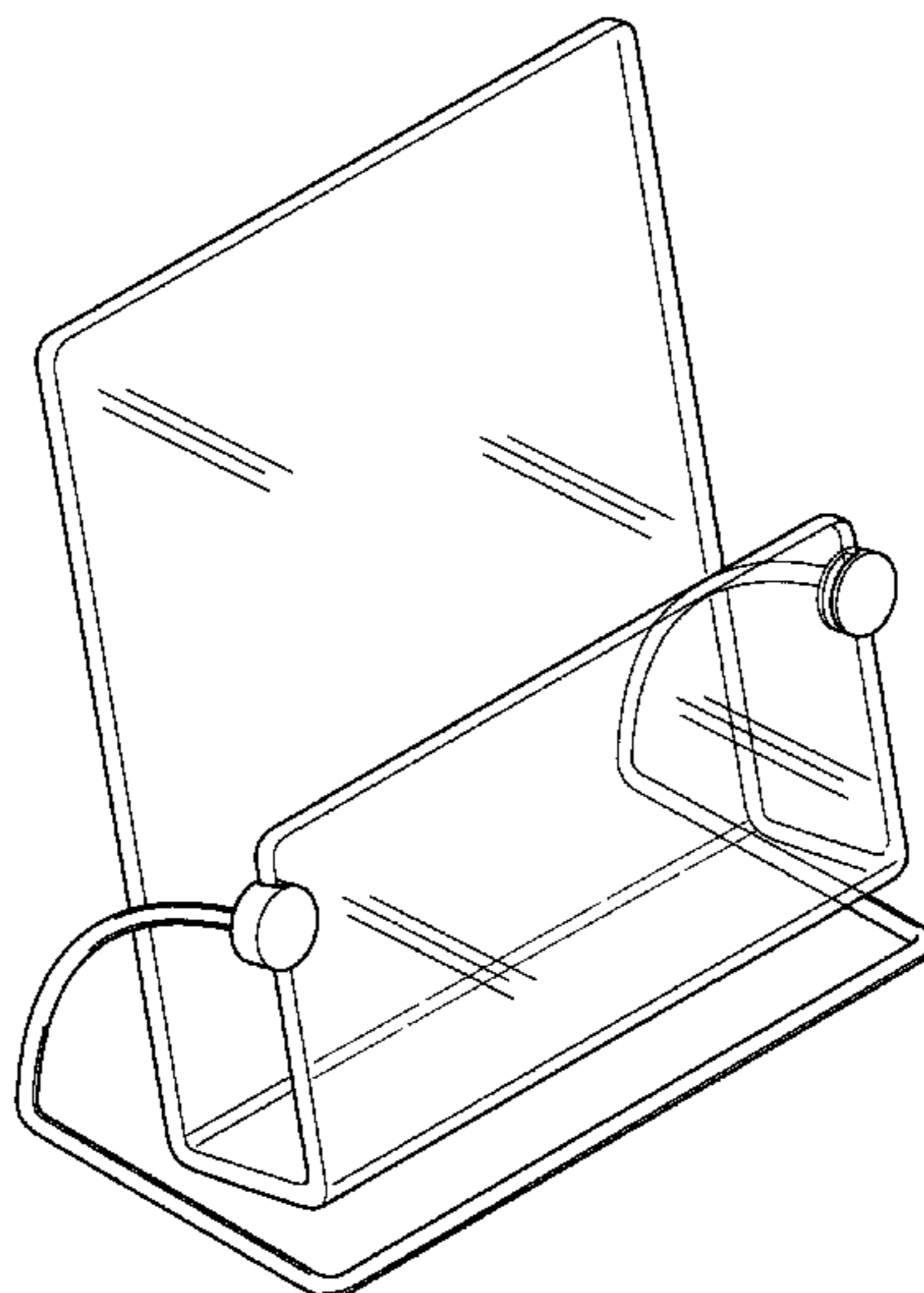
(57) **CLAIM**

The ornamental design for a literature holder, as shown and described.

DESCRIPTION

FIG. 1 is a perspective view showing my new design for a literature holder;
FIG. 2 is a left side view of the literature holder of FIG. 1;
FIG. 3 is a right side view of the literature holder of FIG. 1;
FIG. 4 is a front view of the literature holder of FIG. 1;
FIG. 5 is a rear view of the literature holder of FIG. 1;
FIG. 6 is a top plan view of the literature holder of FIG. 1; and,
FIG. 7 is a bottom plan view of the literature holder of FIG. 1.

1 Claim, 5 Drawing Sheets



US D580,991 S

Page 2

U.S. PATENT DOCUMENTS

D250,982 S *	2/1979	Gilman	D6/475	5,447,242 A	9/1995	Kelly et al.	211/42
D251,466 S *	4/1979	Ciminelli	D6/311	D366,906 S	2/1996	Taylor	D19/90
D253,775 S	12/1979	Lar Rieu	D19/91	D366,907 S	2/1996	Taylor	D19/90
4,198,105 A *	4/1980	Gibbs	312/183	D370,141 S	5/1996	Kelly et al.	D6/475
4,242,817 A	1/1981	Ballard	40/152.1	D372,131 S *	7/1996	Perkins, Jr.	D6/314
4,286,718 A	9/1981	Flax	211/181	5,537,767 A	7/1996	Schneider et al.	40/606
D263,934 S *	4/1982	Fuerneisen	D10/2	5,622,349 A *	4/1997	Rider	248/452
D267,618 S	1/1983	Liptak	D6/184	5,625,969 A	5/1997	Vogler	40/611
D271,501 S	11/1983	Manning et al.	D19/91	D381,362 S	7/1997	Meyer	D19/90
D272,547 S	2/1984	Gordon	D19/91	D407,119 S *	3/1999	Kwan	D20/21
D278,109 S *	3/1985	Leeds	D6/419	D410,686 S	6/1999	Wear	D19/90
4,594,802 A	6/1986	Field	40/10	D419,350 S	1/2000	Baron	D6/553
D286,167 S	10/1986	Greitzer	D21/54	D422,432 S	4/2000	Ray et al.	D6/468
4,630,731 A	12/1986	Albery	206/425	D431,140 S *	9/2000	Kuo	D6/549
D291,900 S	9/1987	Mortensen	D21/54	D432,578 S	10/2000	Stravitz	D19/91
4,726,132 A	2/1988	Ernest	40/10	6,170,677 B1	1/2001	Meltser	211/55
D298,553 S *	11/1988	Zobitz	D20/43	D445,281 S	7/2001	Tsong-Yow	D6/449
4,790,093 A	12/1988	Ernest et al.	40/661	D446,247 S *	8/2001	Martorella	D19/77
D301,490 S	6/1989	Horowitz	D19/90	D451,307 S	12/2001	Dong	D6/474
D304,985 S	12/1989	Raptis	D6/553	D455,292 S	4/2002	Hardy et al.	D6/449
D306,040 S	2/1990	Evenson	D19/90	6,430,857 B1	8/2002	Nagel	40/661
5,009,335 A	4/1991	Jonker	211/55	D465,529 S *	11/2002	Hummell	D20/40
D318,195 S	7/1991	Wells et al.	D6/455	6,523,291 B2	2/2003	Nagel	40/661
5,058,300 A	10/1991	Ernest et al.	40/606	D473,591 S *	4/2003	Halstead	D19/65
D321,372 S	11/1991	Evenson	D19/90	D486,673 S	2/2004	Hessell	D6/474
D321,440 S	11/1991	Zaro	D6/468	D488,937 S	4/2004	Gillet	D6/471
D321,441 S	11/1991	Khantzis	D6/468	D497,739 S	11/2004	English et al.	D6/471
D321,442 S	11/1991	Khantzis	D6/468	D502,741 S	3/2005	Bain	D19/90
D321,443 S	11/1991	Khantzis	D6/468	D505,456 S *	5/2005	Green	D20/40
D321,444 S	11/1991	Khantzis	D6/468	6,942,108 B2	9/2005	Wons et al.	211/55
D321,445 S	11/1991	Khantzis	D6/468	D510,600 S	10/2005	Benn	D19/90
D321,446 S	11/1991	Liptak	D6/475	6,955,268 B2	10/2005	Waldron	211/51
D322,902 S	1/1992	Khantzis	D6/468	6,969,037 B2 *	11/2005	Eby et al.	248/460
5,085,328 A	2/1992	Evenson	211/55	D521,562 S *	5/2006	Richter	D19/91
5,094,349 A	3/1992	DeVito	211/50	7,104,408 B2	9/2006	Stravitz	211/11
D325,401 S *	4/1992	Garfinkle	D20/43	D537,276 S *	2/2007	Kelman	D6/468
D329,558 S	9/1992	Keown	D6/515	D543,730 S *	6/2007	Bonaventuran	D6/475
D330,474 S	10/1992	Liptak	D6/475	D548,796 S *	8/2007	Sachnoff	D20/43
D334,676 S	4/1993	Liptak	D6/476	D551,716 S *	9/2007	Diller	D19/91
D335,394 S *	5/1993	Chamlian	D6/310	D554,706 S *	11/2007	Maier-Hunke	D20/43
D348,485 S *	7/1994	Short	D19/90	2004/0256533 A1 *	12/2004	Eby et al.	248/460
5,390,437 A	2/1995	Pearson	40/661				

* cited by examiner

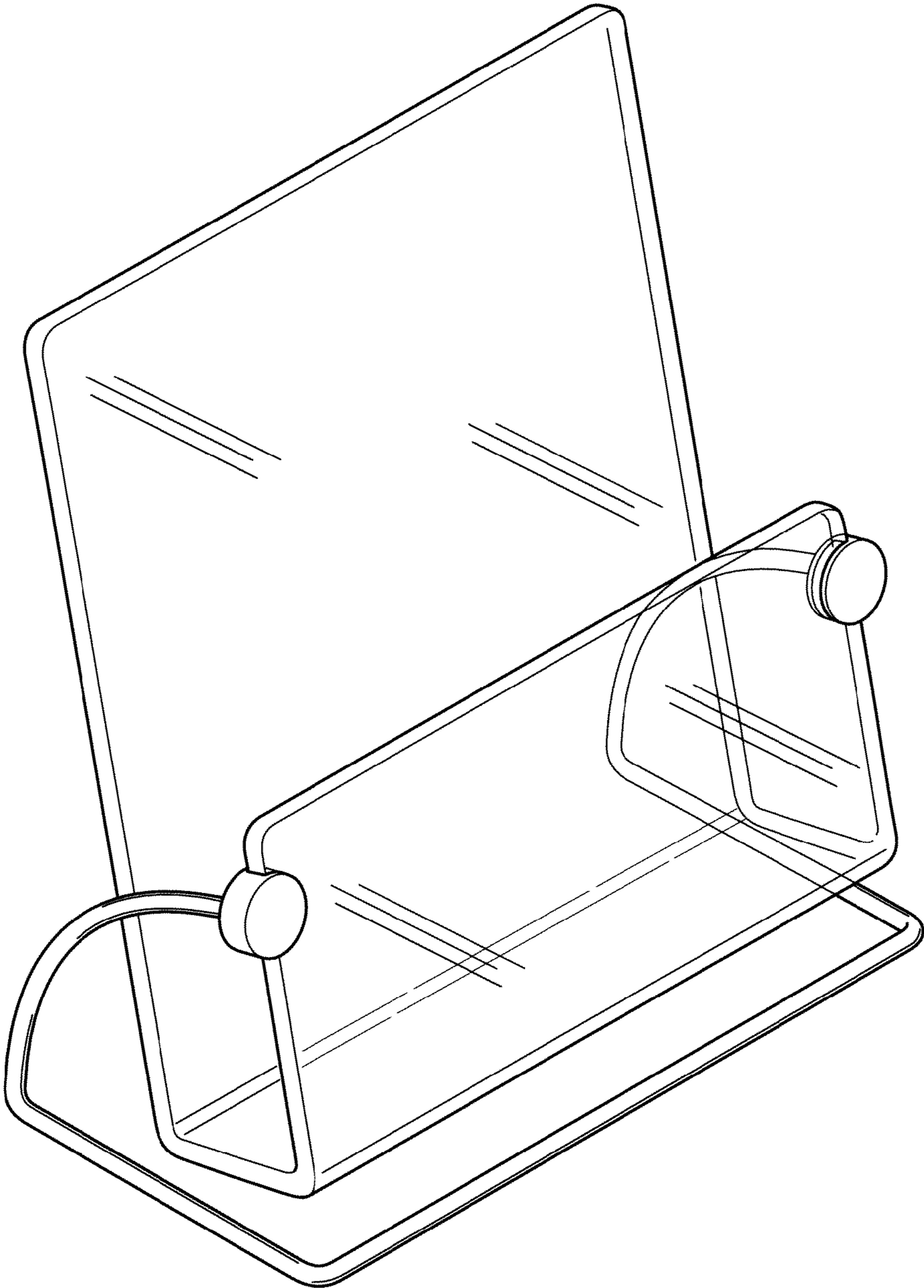


FIG. 1

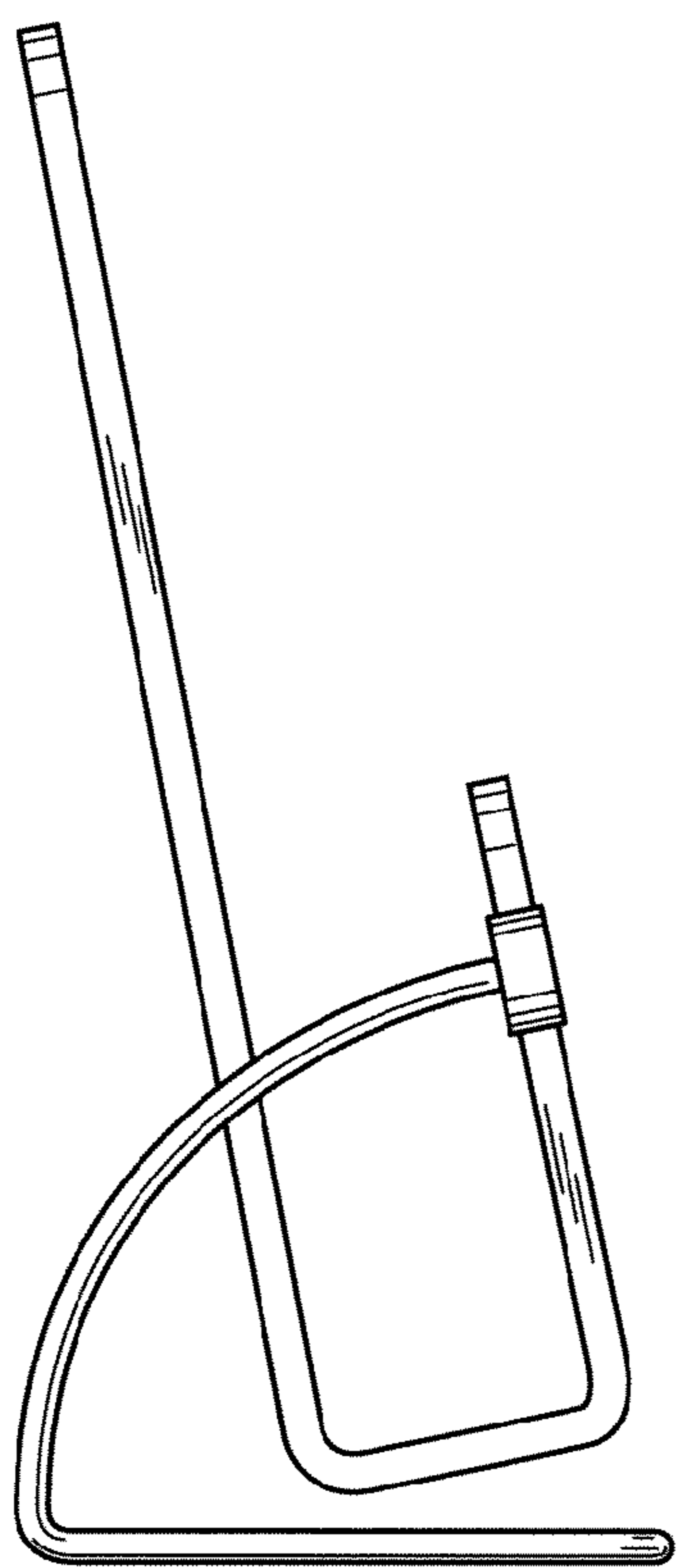


FIG. 2

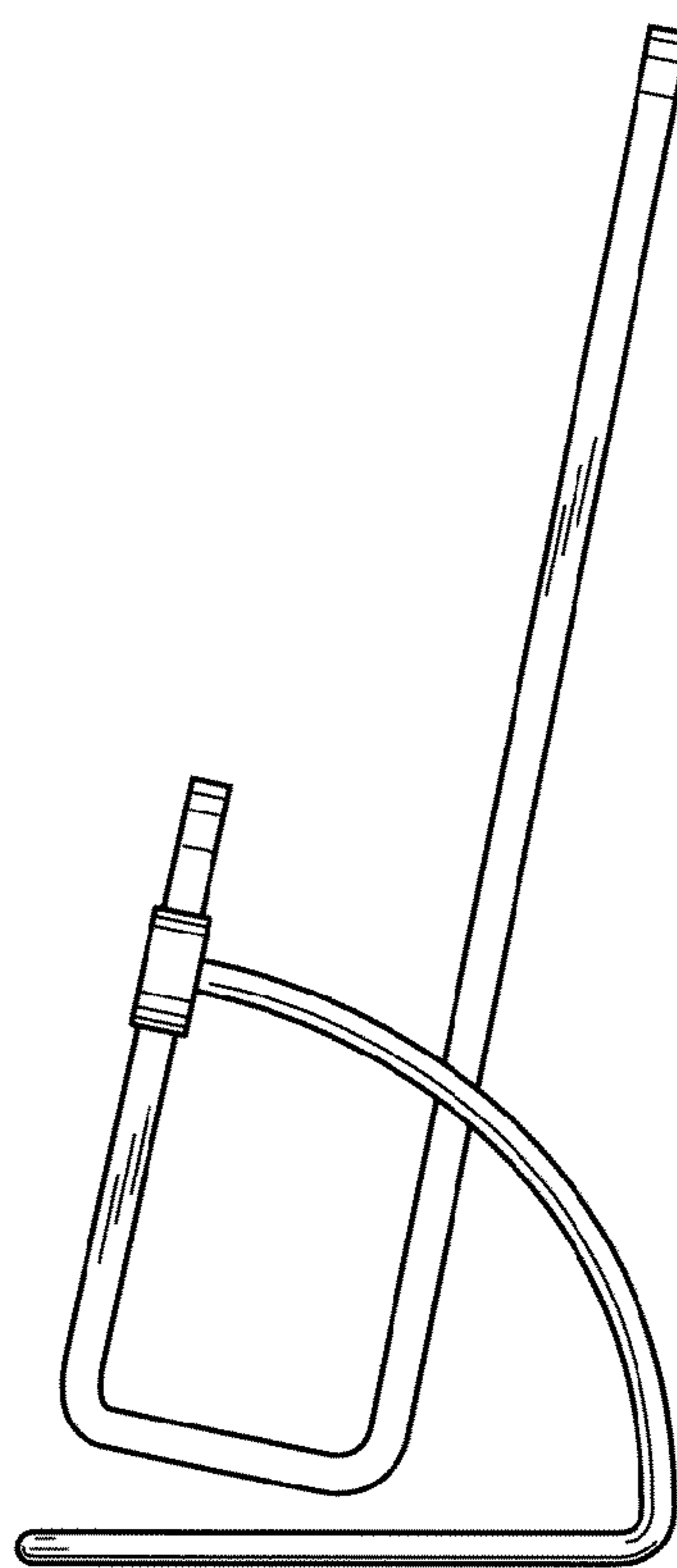


FIG. 3

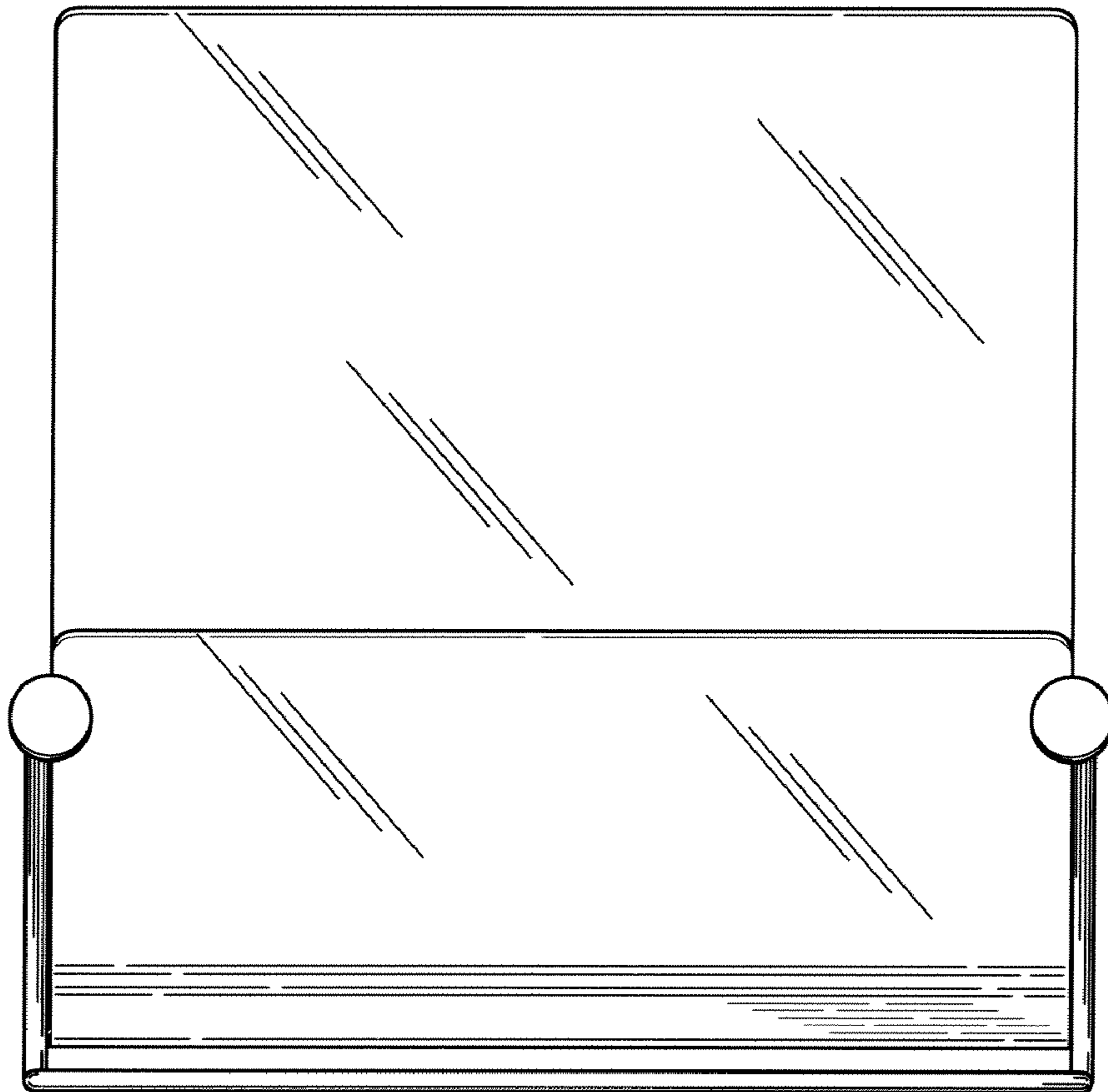


FIG. 4

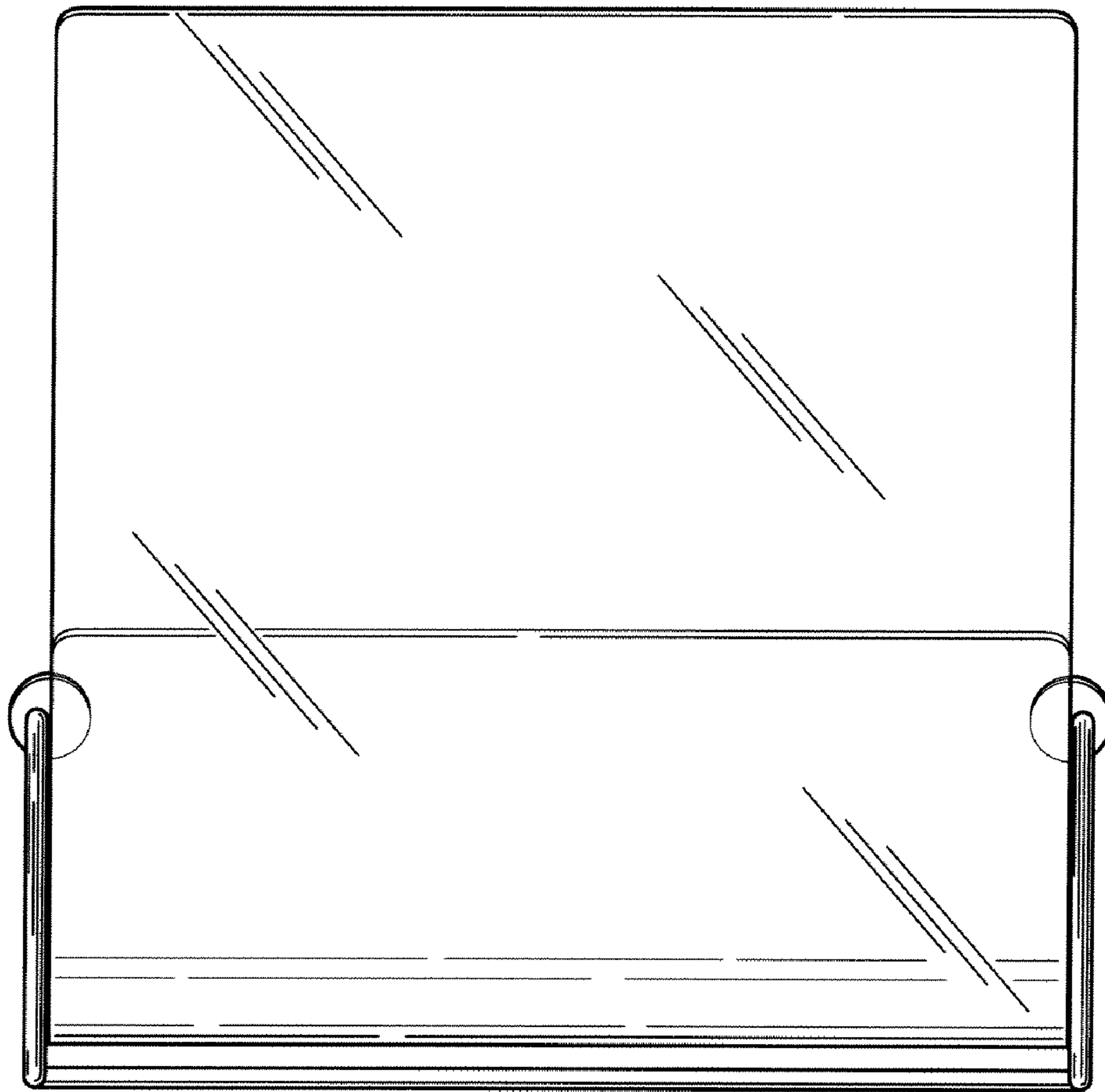


FIG. 5

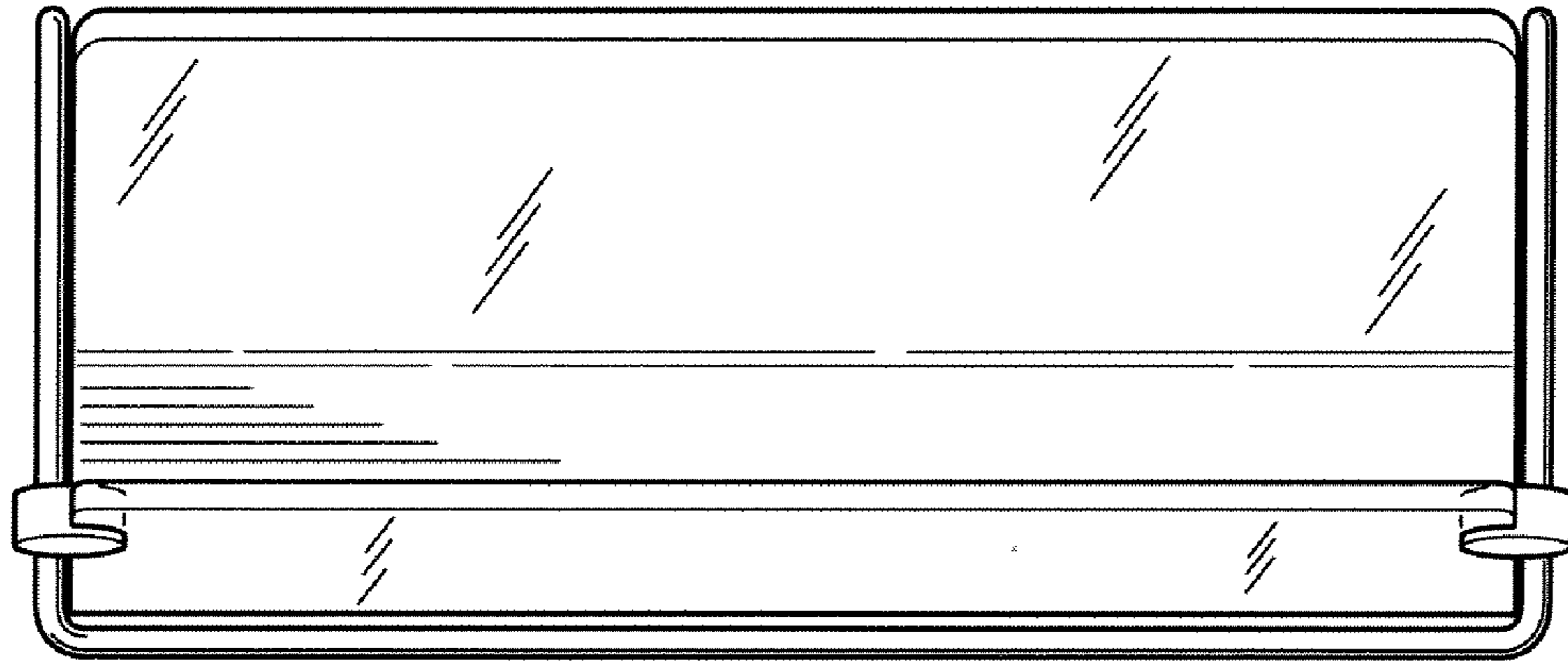


FIG. 6

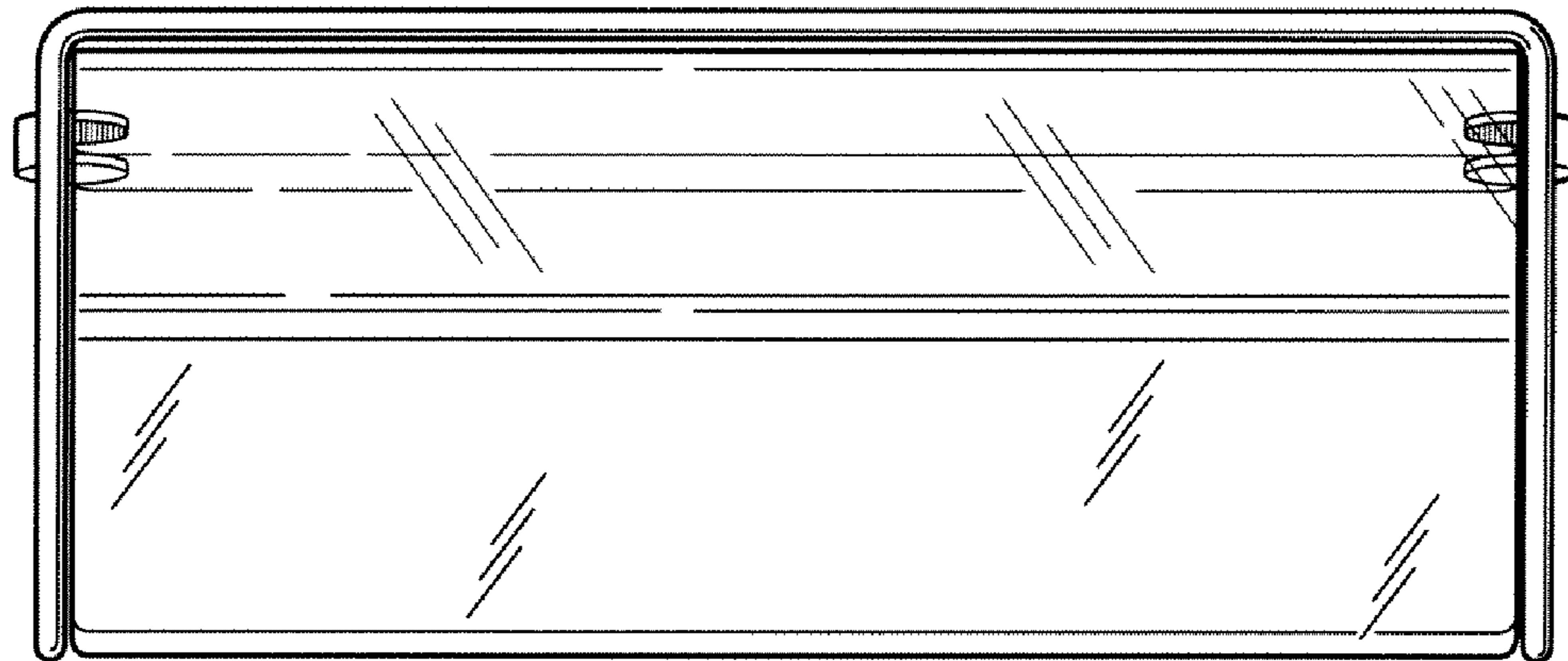


FIG. 7