



US00D580988S

(12) **United States Design Patent**
Regala

(10) **Patent No.:** **US D580,988 S**

(45) **Date of Patent:** **** Nov. 18, 2008**

(54) **COMBINED WRITING INSTRUMENT
HOLDER AND BOOKMARK**

(75) **Inventor:** **Alan C. Regala**, Mountain View, CA
(US)

(73) **Assignee:** **Everyday Innovations Inc.**, Mountain
View, CA (US)

(**) **Term:** **14 Years**

(21) **Appl. No.:** **29/277,492**

(22) **Filed:** **Feb. 27, 2007**

(51) **LOC (8) Cl.** **19-06**

(52) **U.S. Cl.** **D19/81; D19/34**

(58) **Field of Classification Search** D19/34,
D19/81, 83, 85, 65, 35-36, 75, 77-78, 99-100;
D20/43; D8/394-396; 248/305, 316.7, 205.3;
281/30, 45, 51

See application file for complete search history.

(56) **References Cited**

U.S. PATENT DOCUMENTS

- 1,730,959 A * 10/1929 Warfield, Jr. 40/658
- 2,300,216 A 10/1942 Grodsky et al.
- D156,659 S * 12/1949 Reed D8/395
- 2,762,100 A * 9/1956 Wallney 24/67.9
- D204,446 S * 4/1966 Bardon D6/541
- 3,577,604 A 5/1971 Brosk
- 3,823,814 A 7/1974 Lum
- 3,898,951 A 8/1975 Clare
- 4,162,800 A 7/1979 Gonot, Jr. et al.
- 4,505,219 A 3/1985 Mangano
- D301,042 S * 5/1989 Capamaggio D19/34
- 4,856,647 A 8/1989 Dahne
- 5,016,559 A 5/1991 Larson et al.
- 5,054,816 A 10/1991 Rosengarten
- D325,929 S * 5/1992 Larson et al. D19/34
- 5,285,952 A * 2/1994 Ho 229/67.4
- 5,348,347 A * 9/1994 Shink 281/31
- 5,405,010 A 4/1995 Goldberger
- 5,446,953 A 9/1995 Lefeber

- D373,141 S * 8/1996 Dolbow D19/34
- 5,636,868 A 6/1997 Ross, Jr.
- D382,592 S * 8/1997 Maruchi D19/32
- D385,304 S * 10/1997 Griffin D19/65
- 5,992,887 A * 11/1999 Maruchi 281/42
- D424,108 S * 5/2000 Mitcham D19/34
- D449,648 S * 10/2001 Andler D19/34
- 6,446,803 B1 9/2002 McKinney
- 6,481,367 B2 11/2002 McClosky
- D486,862 S * 2/2004 Coe D19/65
- D503,430 S * 3/2005 Chang D19/83
- 7,004,106 B1 2/2006 Forance
- D517,604 S 3/2006 Rowe
- D523,330 S * 6/2006 Mattesky D8/395
- 7,125,049 B2 * 10/2006 Goldberg et al. 281/42
- D569,427 S * 5/2008 Lundvall D19/34
- D572,313 S * 7/2008 Pitt D20/43
- 2002/0083884 A1 7/2002 McClosky
- 2005/0081776 A1 4/2005 Moranville

* cited by examiner

Primary Examiner—Elizabeth A Albert

Assistant Examiner—Kelley A Donnelly

(74) *Attorney, Agent, or Firm*—Fliesler Meyer LLP

(57) **CLAIM**

The ornamental design for a combined writing instrument holder and bookmark, as shown and described.

DESCRIPTION

FIG. 1 is a front perspective view of a combined writing instrument holder and bookmark;

FIG. 2 is a rear perspective thereof;

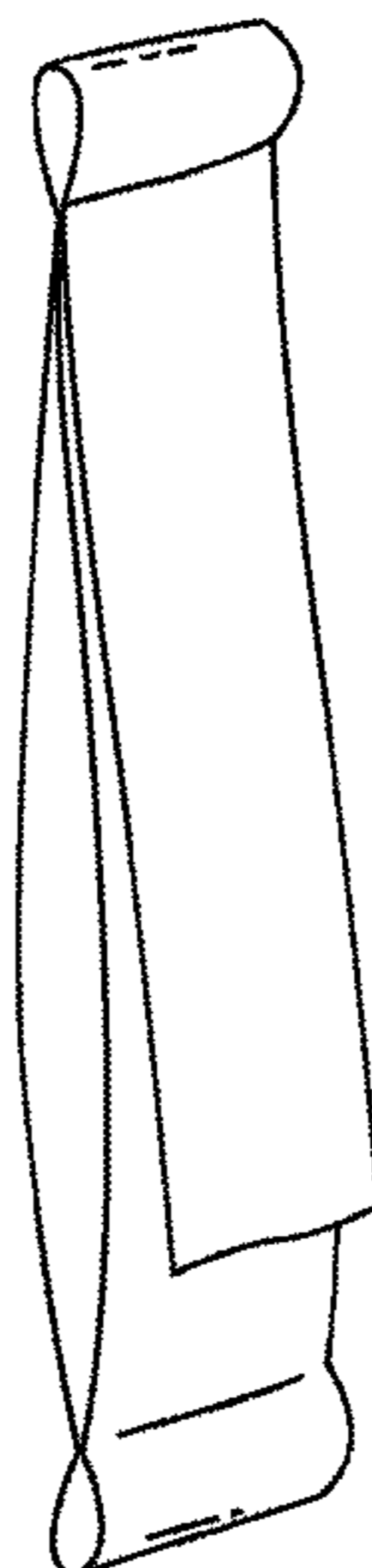
FIG. 3 is a right side view thereof;

FIG. 4 is a left side view thereof; and,

FIG. 5 is a perspective view in its intended environment.

The broken lines showing two writing instruments and a book in FIG. 5 are for environmental purposes only and form no part of the claimed design.

1 Claim, 3 Drawing Sheets



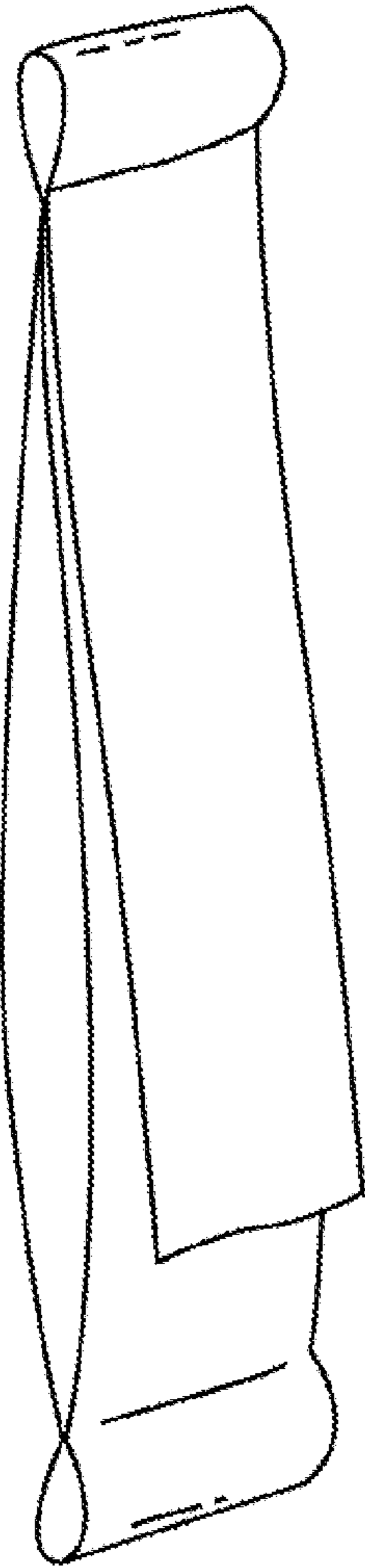


FIG. 1

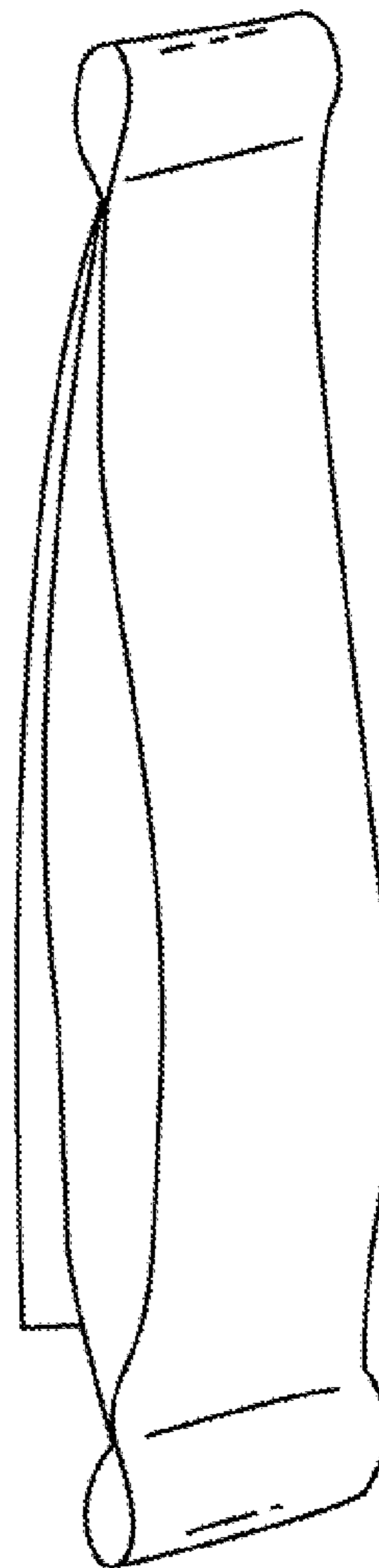


FIG. 2

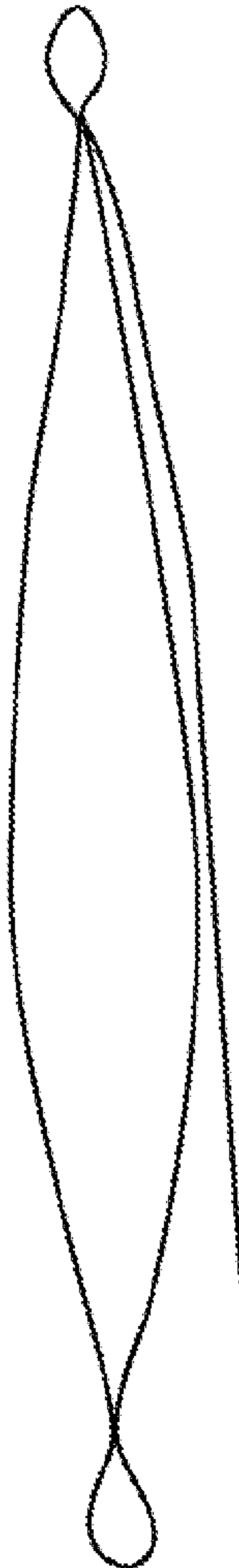


FIG. 3

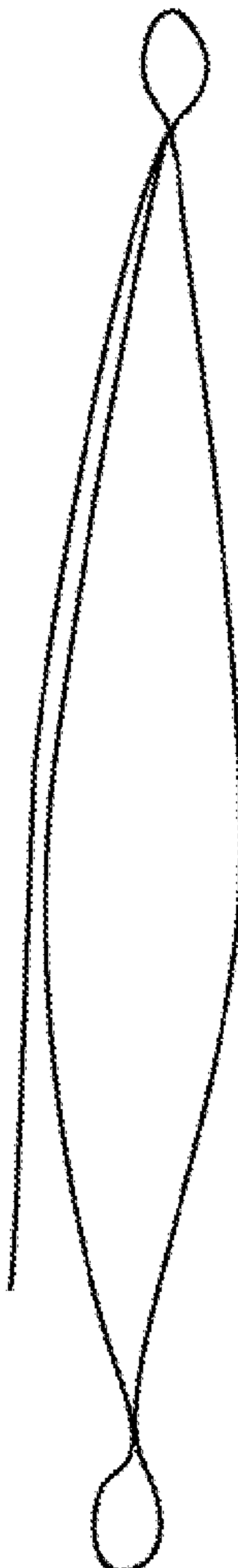


FIG. 4

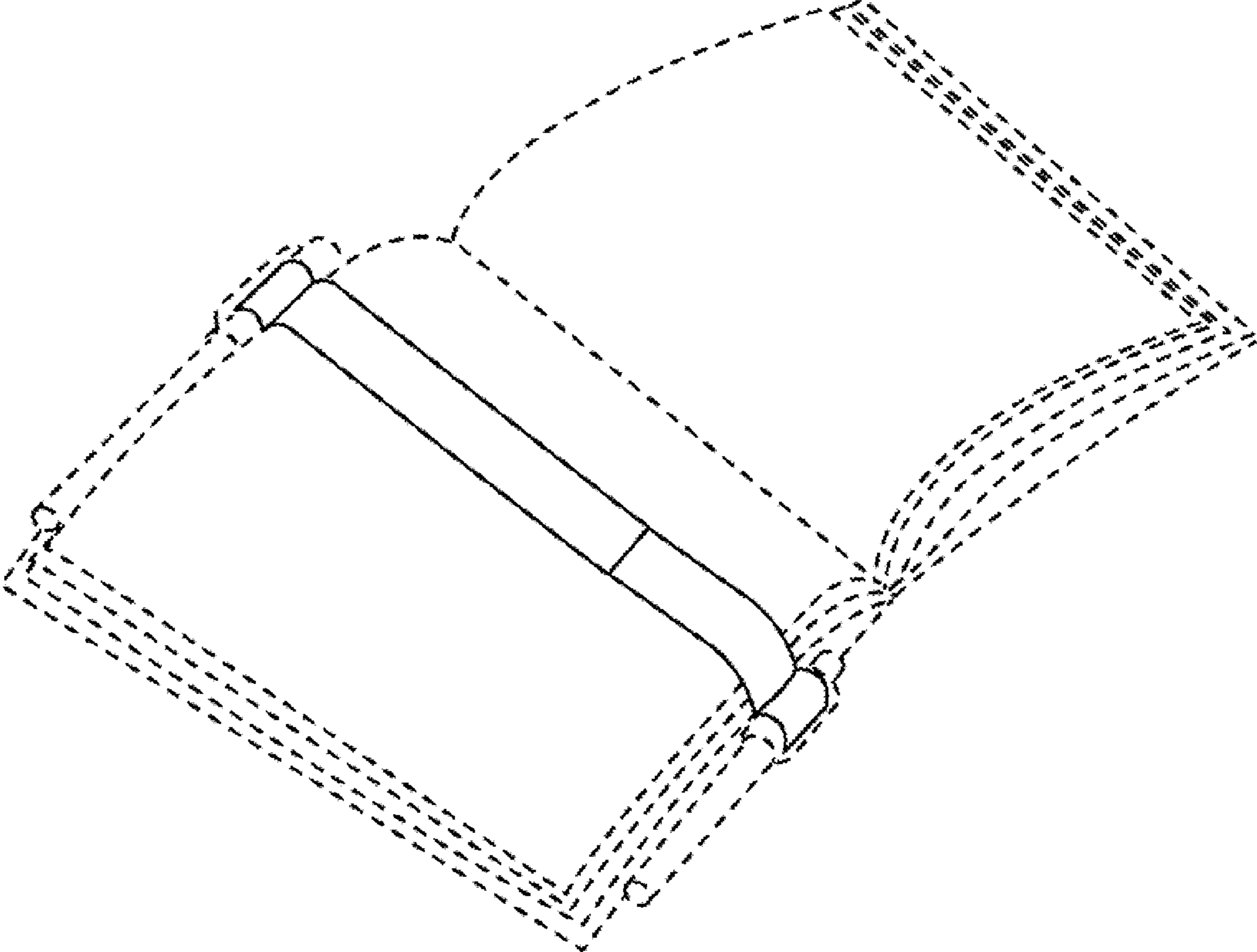


FIG. 5