



US00D580986S

(12) **United States Design Patent**
Farnworth et al.

(10) **Patent No.:** **US D580,986 S**
(45) **Date of Patent:** **** Nov. 18, 2008**

(54) **PENCIL SHARPENER**

(75) Inventors: **Stuart D. Farnworth**, Westport, CT (US); **Michael E. Peterson**, Fairfield, CT (US); **James E. McCay**, Fairfield, CT (US)

(73) Assignee: **Acme United Corporation**, Fairfield, CT (US)

(**) Term: **14 Years**

(21) Appl. No.: **29/293,298**

(22) Filed: **Nov. 15, 2007**

Related U.S. Application Data

(62) Division of application No. 29/261,912, filed on Jun. 22, 2006, now Pat. No. Des. 559,324.

(51) **LOC (8) Cl.** **19-06**

(52) **U.S. Cl.** **D19/73**

(58) **Field of Classification Search** D7/378;
D19/65, 72, 73, 74, 95, 99, 100; 30/451,
30/452, 453, 454, 455, 456, 457, 458, 459,
30/460, 461, 462; 144/28, 28.11, 28.1, 28.2,
144/28.3, 28.4, 28.5, 28.6, 28.7, 28.8, 28.9,
144/28.71, 28.72

See application file for complete search history.

(56) **References Cited**

U.S. PATENT DOCUMENTS

2,785,657	A *	3/1957	Wolfson	144/28.1
3,537,691	A *	11/1970	Miwa et al.	241/282.2
D244,604	S *	6/1977	Ohta	D19/73
D251,008	S *	2/1979	Kajiwara	D19/73
D324,700	S *	3/1992	Shimoo et al.	D19/73
D349,423	S *	8/1994	Burgel	D7/378
D394,986	S *	6/1998	Lallemand	D7/378
D448,967	S *	10/2001	Planca et al.	D7/378
D466,760	S *	12/2002	Baerenrodt et al.	D7/378

D479,666	S *	9/2003	Barker	D7/378
D490,875	S *	6/2004	Kim	D23/207
D501,759	S *	2/2005	Sands	D7/536
D532,251	S *	11/2006	Kassenaar	D7/378
D533,020	S *	12/2006	Kassenaar et al.	D7/378
D534,394	S *	1/2007	Zhiwen et al.	D7/378
D545,372	S *	6/2007	Kent et al.	D19/73
D556,505	S *	12/2007	Wu	D7/378

OTHER PUBLICATIONS

Westcott's iPoint Pencil Sharpener, dated 2005, as shown on a Good Design 2006 award winner (see p. 7), a juried competition conducted by The International Industrial and Graphic Design Awards. The listing has been edited to facilitate showing the reference, and to identify the framework in which it appeared (9 pages).*

* cited by examiner

Primary Examiner—Elizabeth A. Albert

Assistant Examiner—Karen E Eldridge Powers

(74) *Attorney, Agent, or Firm*—Alix, Yale & Ristas, LLP

(57) **CLAIM**

The ornamental design for a pencil sharpener, as shown and described.

DESCRIPTION

FIG. 1 is a perspective view of the pencil sharpener showing our new design;

FIG. 2 is a rear view of the pencil sharpener of FIG. 1;

FIG. 3 is a front view of the pencil sharpener of FIG. 1;

FIG. 4 is a right side view of the pencil sharpener of FIG. 1;

FIG. 5 is a left side view of the pencil sharpener of FIG. 1;

FIG. 6 is a top view of the pencil sharpener of FIG. 1; and,

FIG. 7 is a bottom view of the pencil sharpener of FIG. 1.

The interior structure rendered in broken lines in FIGS. 1–5 is environmental matter, and forms no part of the claimed design.

1 Claim, 6 Drawing Sheets

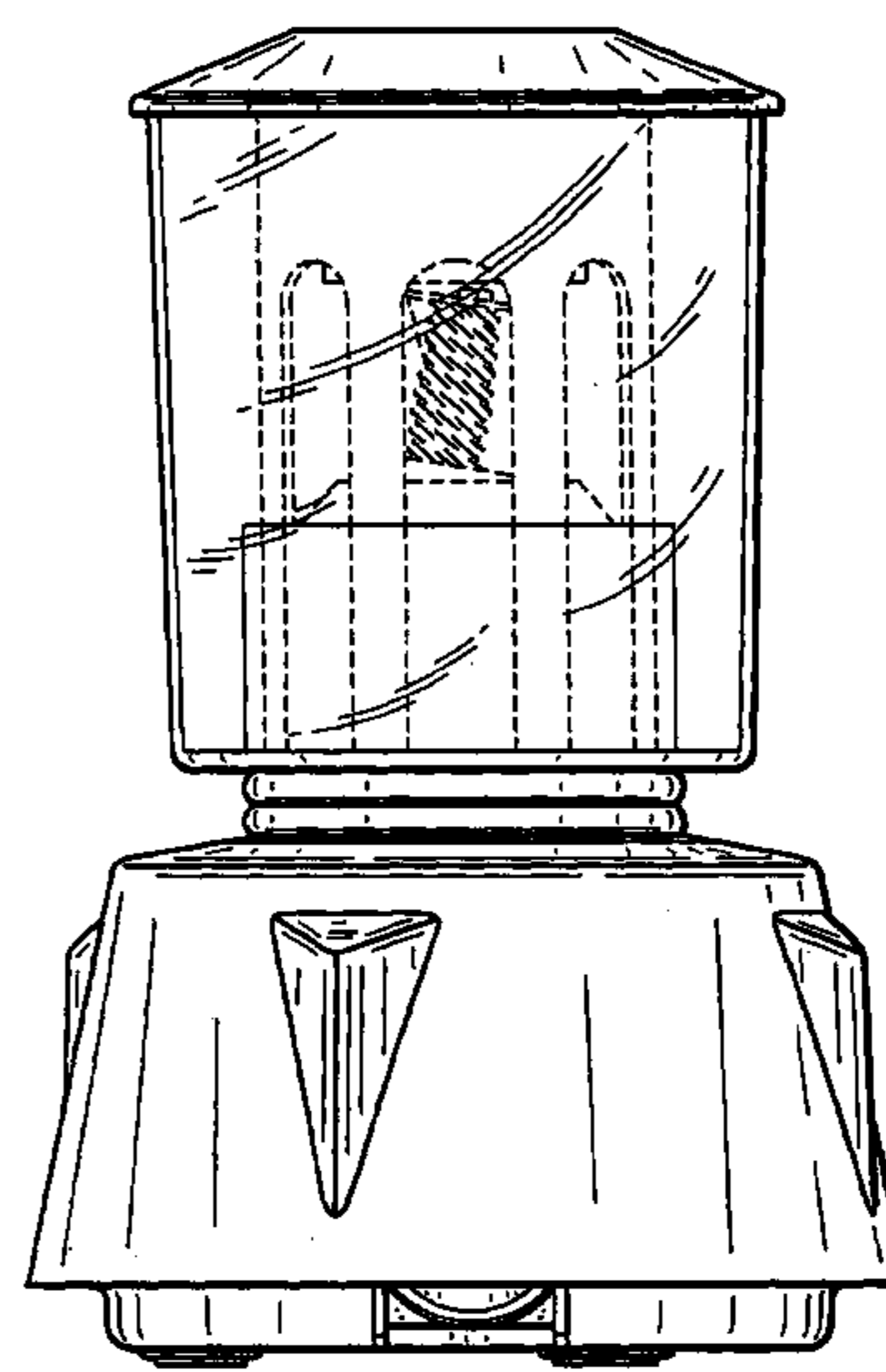
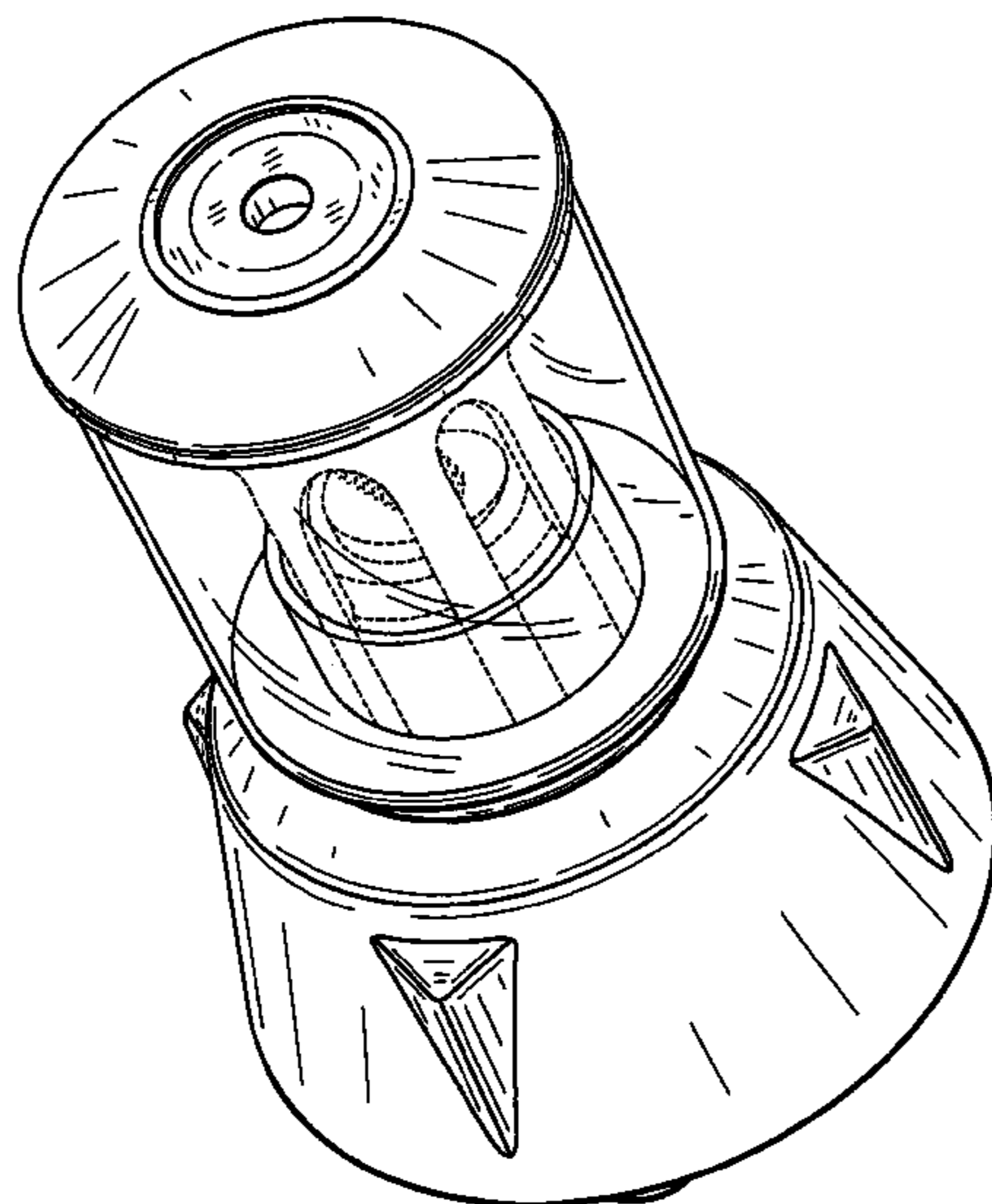


FIG. 1

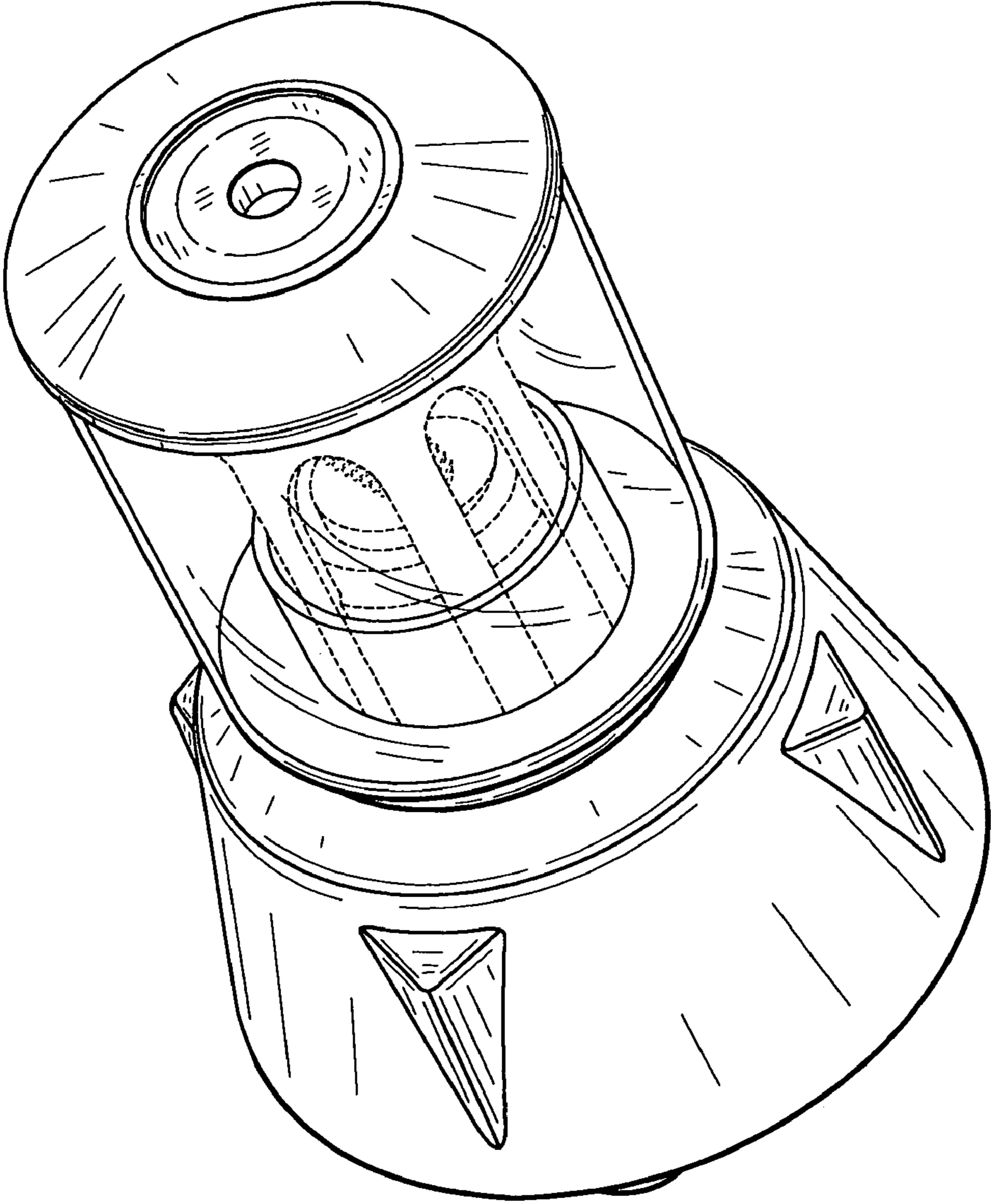


FIG. 2

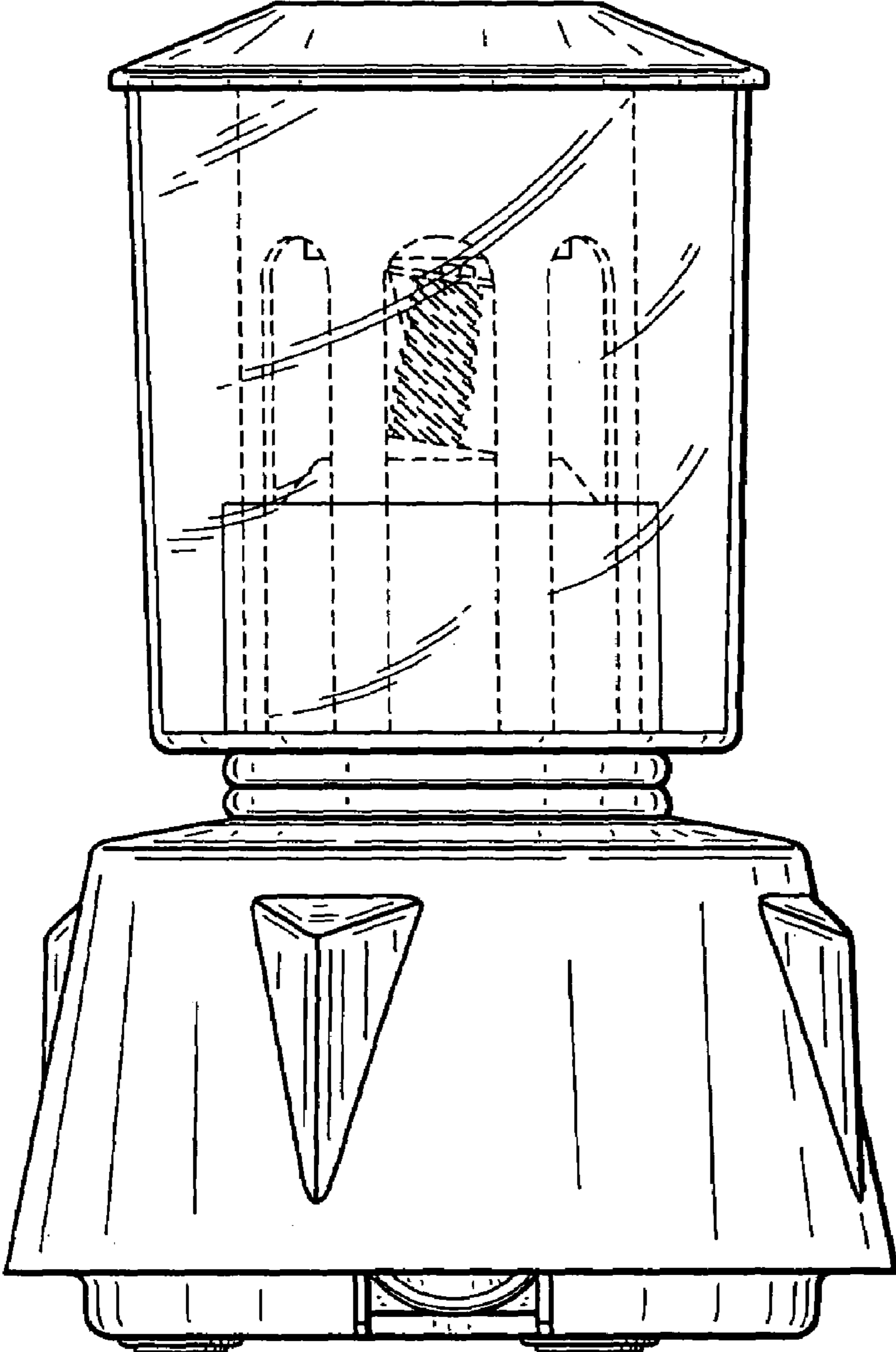


FIG. 3

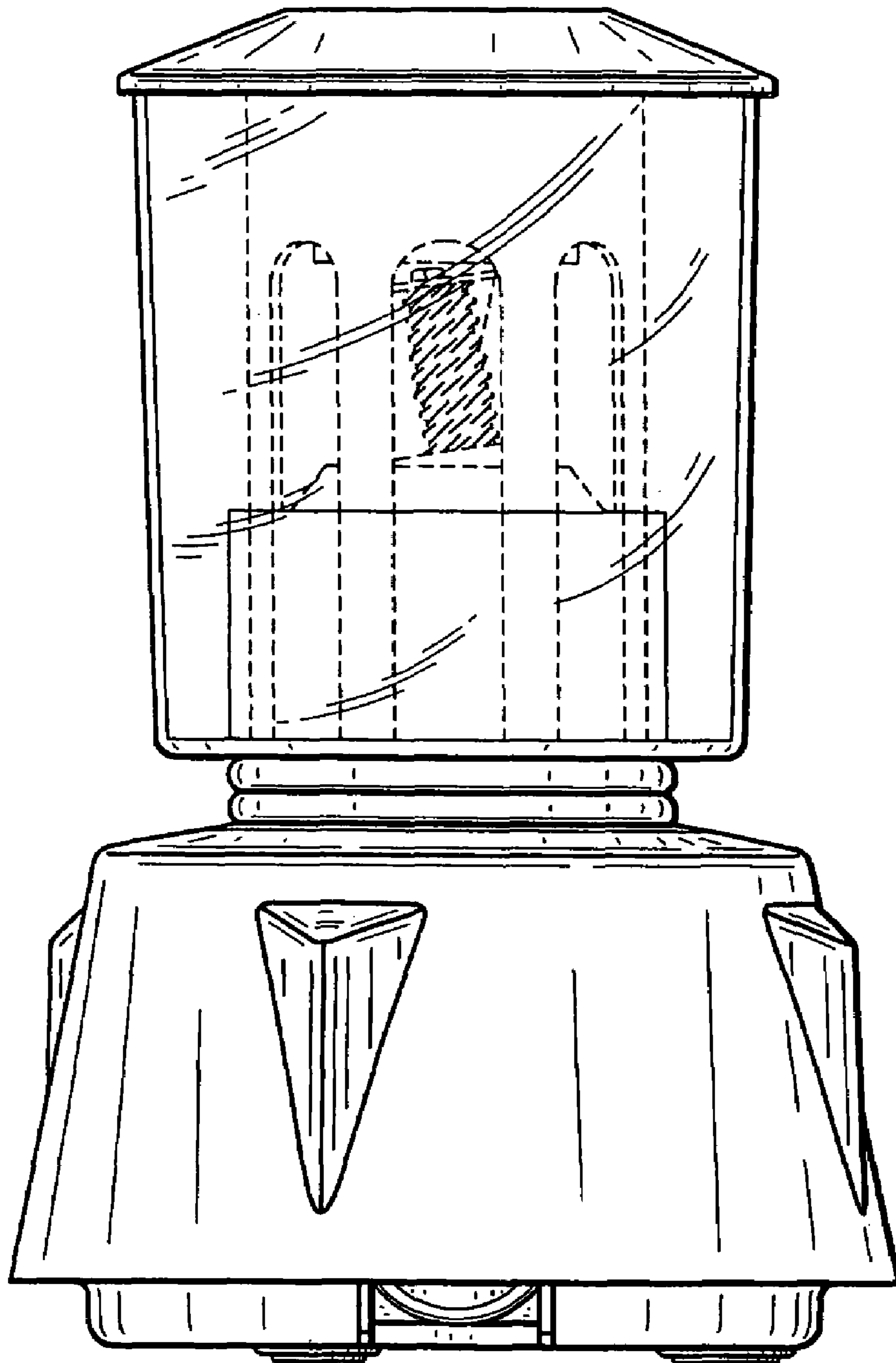


FIG. 4

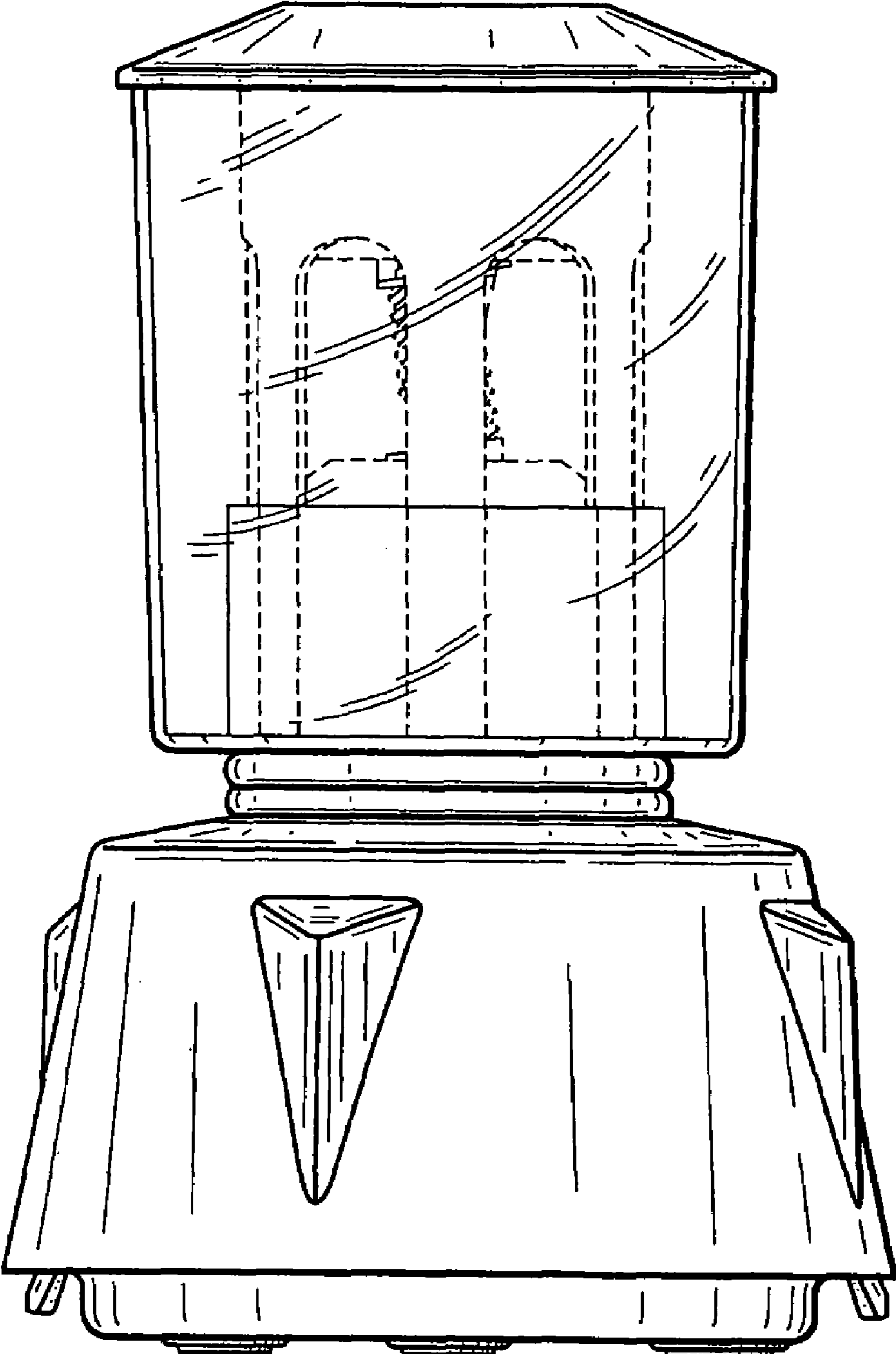


FIG. 5

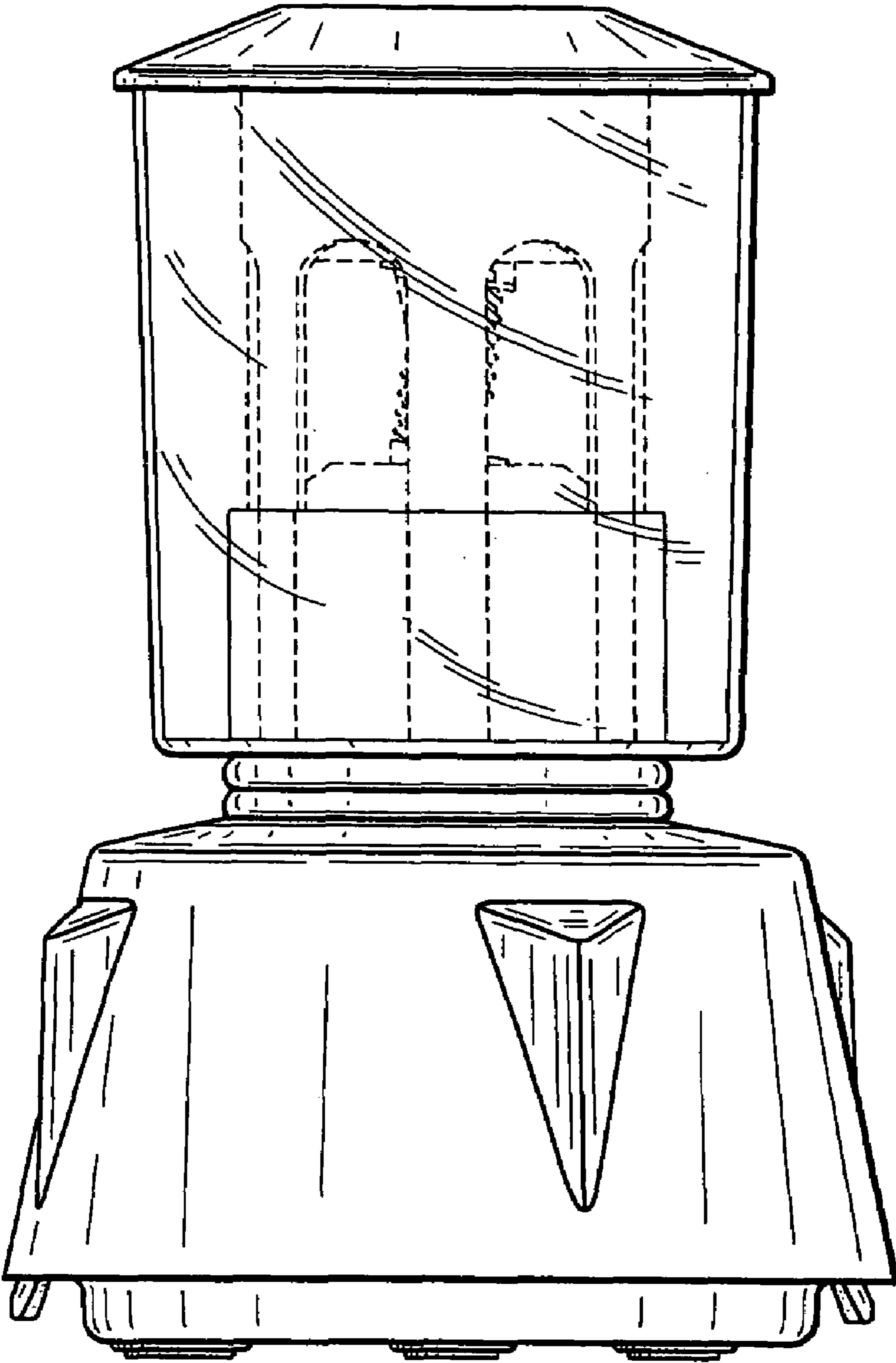


FIG. 6

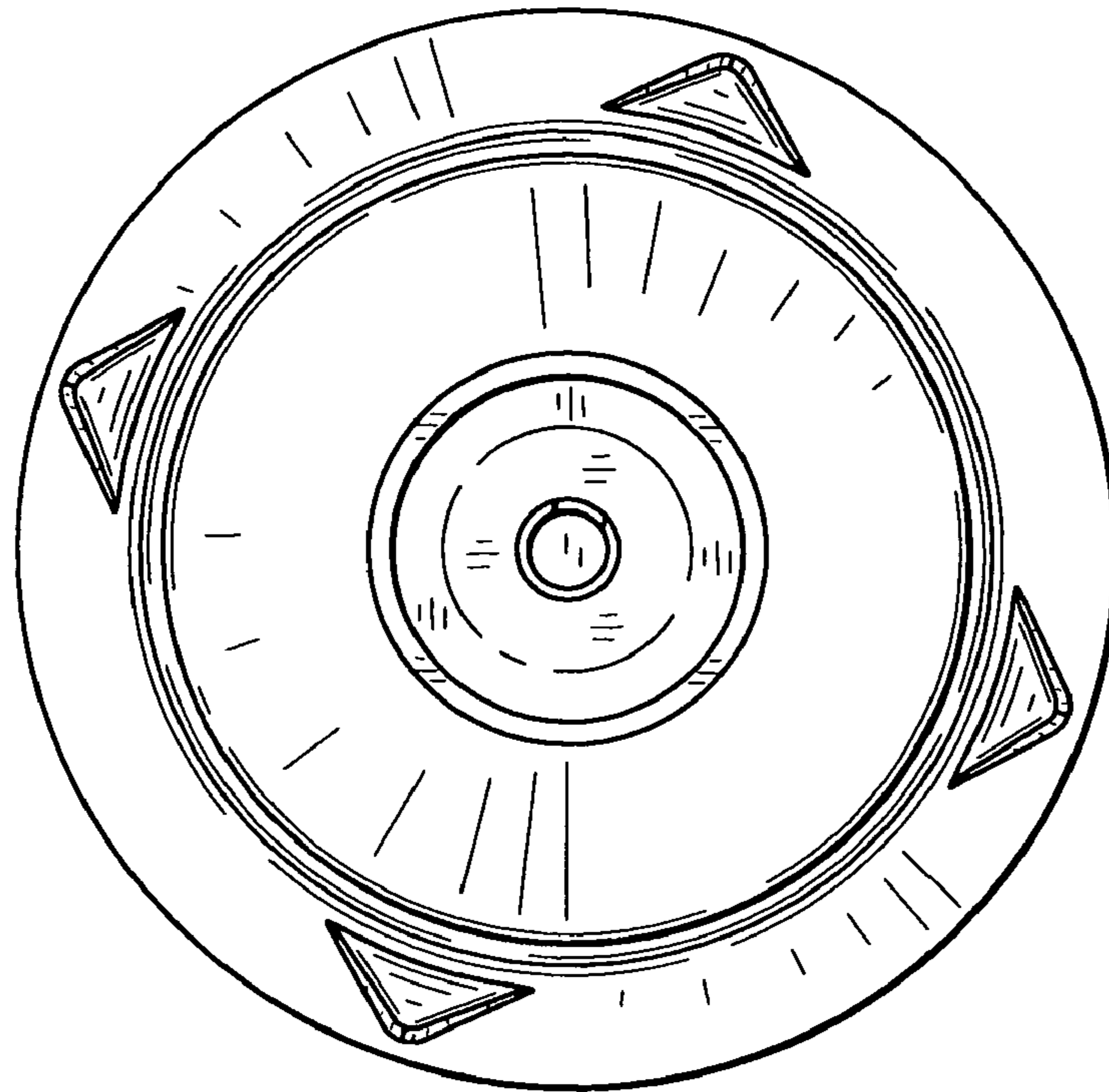


FIG. 7

