



US00D580980S

(12) **United States Design Patent**
Lau

(10) **Patent No.:** **US D580,980 S**
(45) **Date of Patent:** **** Nov. 18, 2008**

(54) **INTEGRATED TABBED NOTE AND CLIP KIT**

(76) Inventor: **Janet K. Lau**, 1937 Abreu Way, Union City, CA (US) 94587

(**) Term: **14 Years**

(21) Appl. No.: **29/276,116**

(22) Filed: **Jan. 16, 2007**

(51) **LOC (8) Cl.** **19-02**

(52) **U.S. Cl.** **D19/65**

(58) **Field of Classification Search** D3/263,
D3/295, 302, 304, 313, 319; D6/475, 512,
D6/515, 629; D9/414, 432; D19/1, 2, 5,
D19/6, 34, 65, 75, 86, 90, 91, 99, 100; D20/27,
D20/40, 43; 24/67.3, 67 R, 67.9, 489, 67.11,
24/531, 545, 546, 547, 551, 552, 555; 40/300,
40/301, 302, 360, 384, 641, 649, 653, 658,
40/659, 666; 116/236, 237; 206/39, 214,
206/215, 223, 268, 425, 449, 470, 576, 736,
206/183

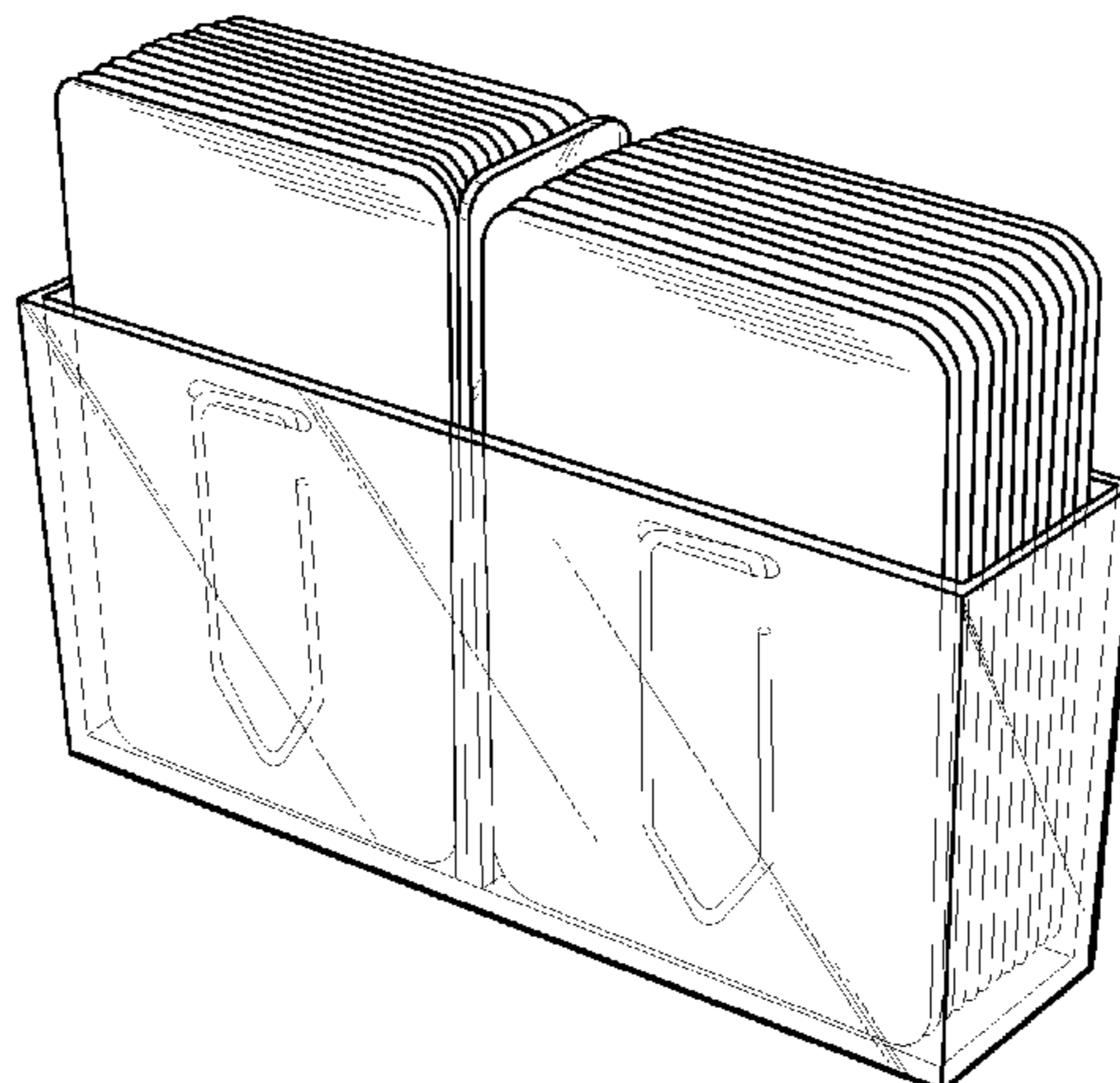
See application file for complete search history.

(56) **References Cited**

U.S. PATENT DOCUMENTS

332,327 A	12/1885	Clark
863,265 A	8/1907	Crouse
876,252 A	1/1908	Baker
962,397 A	6/1910	Whitmore
1,052,505 A	2/1913	Munger et al.
1,123,008 A	12/1914	Rice
1,133,664 A *	3/1915	Plummer 24/555
1,158,940 A	11/1915	Litt et al.
1,178,113 A	4/1916	Turton et al.
D50,594 S	4/1917	Voges
1,345,365 A	7/1920	Hutchison
1,465,576 A	8/1923	Biggs
1,501,067 A	7/1924	Schaffert
1,524,478 A	1/1925	Hunter
1,587,335 A	6/1926	Kline
1,661,165 A	3/1928	Cameron
1,778,031 A	10/1930	Kinch
1,802,980 A	4/1931	Marsh

1,826,580 A	10/1931	Spinney
1,840,604 A	1/1932	Randall
1,894,906 A	1/1933	Henry
1,914,671 A	6/1933	O'Neil
1,976,465 A	10/1934	Thomson
1,977,096 A	10/1934	Straubel
1,985,866 A	12/1934	Lankenau
1,989,953 A *	2/1935	Tibbals 24/552
1,997,894 A	4/1935	Woodley
2,008,019 A	7/1935	Horlick, Jr.
2,049,729 A *	8/1936	Berkowitz 229/74
D104,956 S	6/1937	Baker
2,097,690 A	11/1937	Ferngren
2,118,043 A	5/1938	Goza
2,156,743 A	5/1939	Skrebba
2,186,508 A *	1/1940	Tremmel 40/659
2,218,438 A	10/1940	Robinson
2,323,552 A	7/1943	Marion
D136,639 S	11/1943	Hoffman
2,362,445 A	11/1944	Blodgett
2,415,248 A	2/1947	Kenna et al.
2,420,021 A	5/1947	Straubel
2,575,257 A	11/1951	Boulware
2,623,311 A	12/1952	Condon
2,695,026 A	11/1954	Broneer
2,911,104 A	11/1959	Hooper
3,073,046 A	1/1963	Condon
3,092,301 A	6/1963	Selle
3,123,924 A	3/1964	Roberts
3,225,469 A	12/1965	Chase
3,247,602 A	4/1966	Hamilton et al.
3,290,810 A	12/1966	Morena
3,360,877 A	1/1968	Estep
3,813,813 A	6/1974	Powell
3,840,943 A *	10/1974	Langwell 24/67.9
3,934,368 A	1/1976	Fearing
D241,342 S	9/1976	Carroll
D268,848 S	5/1983	Lorber
4,384,417 A	5/1983	Thompson
4,389,801 A *	6/1983	Sharrock et al. 40/775
4,425,724 A	1/1984	Scott
4,646,455 A	3/1987	Gardner
4,691,458 A	9/1987	Scott
D295,540 S	5/1988	Rabig
D299,094 S	12/1988	Mills
4,878,302 A	11/1989	Jowsey
4,949,435 A *	8/1990	Michelson 24/67.9
4,951,408 A	8/1990	Banks
D314,012 S	1/1991	Klodt



D327,183	S	6/1992	Meyer	
5,199,203	A	4/1993	Jones	
D337,940	S	8/1993	Aquino	
D348,390	S	7/1994	Van Ness	
D352,855	S	11/1994	Wolff	
5,481,784	A	1/1996	Sinaiko	
D382,405	S	8/1997	Ohayon	
D383,789	S	9/1997	Shyu	
5,695,219	A	12/1997	Crawford	
D409,245	S	5/1999	Wolff	
D416,040	S	11/1999	Kasom et al.	
5,996,130	A	12/1999	Verhines	
D452,153	S	12/2001	Dardashti	
D465,525	S	11/2002	Dilday	
D468,441	S *	1/2003	Pham	D24/225
D474,688	S	5/2003	Litts	
D476,172	S	6/2003	Bourne, Sr.	
7,005,170	B1 *	2/2006	Simpson et al.	428/40.1
D540,869	S *	4/2007	Lau	D19/65
D541,346	S *	4/2007	Lau	D19/65
2002/0100797	A1 *	8/2002	Hollingsworth et al.	229/92.8
2004/0221493	A1	11/2004	LaMalfa	
2005/0217078	A1	10/2005	Groch et al.	
2006/0000133	A1	1/2006	Windorski	

FOREIGN PATENT DOCUMENTS

JP	09-071065	A	3/1997
JP	2001-353992	A	12/2001

* cited by examiner

Primary Examiner—Cathron Brooks
Assistant Examiner—Austin Murphy
(74) *Attorney, Agent, or Firm*—Aka Chan LLP

(57) **CLAIM**

The ornamental design for an integrated tabbed note and clip kit, as shown and described.

DESCRIPTION

FIG. 1 shows a perspective view of a first embodiment of a design for an integrated tabbed note and clip kit.
FIG. 2 shows a top view of the first embodiment.
FIG. 3 shows a front view of the first embodiment.
FIG. 4 shows a right-side view of the first embodiment. A left-side view of this embodiment is a mirror image of this figure.
FIG. 5 shows a back view of the first embodiment.
FIG. 6 shows a bottom view of the first embodiment.
FIG. 7 shows a perspective view of a second embodiment of a design for an integrated tabbed note and clip kit.
FIG. 8 shows a top view of the second embodiment.
FIG. 9 shows a front view of the second embodiment.
FIG. 10 shows a right-side view of the second embodiment. A left-side view of this embodiment is a mirror image of this figure.
FIG. 11 shows a back view of the second embodiment.
FIG. 12 shows a bottom view of the second embodiment.
FIG. 13 shows a perspective view of a third embodiment of a design for an integrated tabbed note and clip kit.
FIG. 14 shows a top view of the third embodiment.
FIG. 15 shows a front view of the third embodiment.

FIG. 16 shows a right-side view of the third embodiment. A left-side view of this embodiment is a mirror image of this figure.
FIG. 17 shows a back view of the third embodiment.
FIG. 18 shows a bottom view of the third embodiment.
FIG. 19 shows a perspective view of a fourth embodiment of a design for an integrated tabbed note and clip kit.
FIG. 20 shows a top view of the fourth embodiment.
FIG. 21 shows a front view of the fourth embodiment.
FIG. 22 shows a right-side view of the fourth embodiment. A left-side view of this embodiment is a mirror image of this figure.
FIG. 23 shows a back view of the fourth embodiment.
FIG. 24 shows a bottom view of the fourth embodiment.
FIG. 25 shows a perspective view of a fifth embodiment of a design for an integrated tabbed note and clip kit.
FIG. 26 shows a top view of the fifth embodiment.
FIG. 27 shows a front view of the fifth embodiment.
FIG. 28 shows a right-side view of the fifth embodiment. A left-side view of this embodiment is a mirror image of this figure.
FIG. 29 shows a back view of the fifth embodiment.
FIG. 30 shows a bottom view of the fifth embodiment.
FIG. 31 shows a perspective view of a sixth embodiment of a design for an integrated tabbed note and clip kit.
FIG. 32 shows a top view of the sixth embodiment.
FIG. 33 shows a front view of the sixth embodiment.
FIG. 34 shows a right-side view of the sixth embodiment. A left-side view of this embodiment is a mirror image of this figure.
FIG. 35 shows a back view of the sixth embodiment.
FIG. 36 shows a bottom view of the sixth embodiment.
FIG. 37 shows a perspective view of a seventh embodiment of a design for an integrated tabbed note and clip kit.
FIG. 38 shows a top view of the seventh embodiment.
FIG. 39 shows a front view of the seventh embodiment.
FIG. 40 shows a right-side view of the seventh embodiment. A left-side view of this embodiment is a mirror image of this figure.
FIG. 41 shows a back view of the seventh embodiment.
FIG. 42 shows a bottom view of the seventh embodiment.
FIG. 43 shows a perspective view of an eighth embodiment of a design for an integrated tabbed note and clip kit.
FIG. 44 shows a top view of the eighth embodiment.
FIG. 45 shows a front view of the eighth embodiment.
FIG. 46 shows a right-side view of the eighth embodiment. A left-side view of this embodiment is a mirror image of this figure.
FIG. 47 shows a back view of the eighth embodiment.
FIG. 48 shows a bottom view of the eighth embodiment.
FIG. 49 shows a perspective view of a ninth embodiment of a design for an integrated tabbed note and clip kit.
FIG. 50 shows a top view of the ninth embodiment.
FIG. 51 shows a front view of the ninth embodiment.

FIG. 52 shows a right-side view of the ninth embodiment. A left-side view of this embodiment is a mirror image of this figure.

FIG. 53 shows a back view of the ninth embodiment.

FIG. 54 shows a bottom view of the ninth embodiment.

FIG. 55 shows a perspective view of a tenth embodiment of a design for an integrated tabbed note and clip kit.

FIG. 56 shows a top view of the tenth embodiment.

FIG. 57 shows a front view of the tenth embodiment.

FIG. 58 shows a right-side view of the tenth embodiment. A left-side view of this embodiment is a mirror image of this figure.

FIG. 59 shows a back view of the tenth embodiment.

FIG. 60 shows a bottom view of the tenth embodiment.

FIG. 61 shows a perspective view of an eleventh embodiment of a design for an integrated tabbed note and clip kit.

FIG. 62 shows a top view of the eleventh embodiment.

FIG. 63 shows a front view of the eleventh embodiment.

FIG. 64 shows a right-side view of the eleventh embodiment. A left-side view of this embodiment is a mirror image of this figure.

FIG. 65 shows a back view of the eleventh embodiment.

FIG. 66 shows a bottom view of the eleventh embodiment.

FIG. 67 shows a perspective view of a twelfth embodiment of a design for an integrated tabbed note and clip kit.

FIG. 68 shows a top view of the twelfth embodiment.

FIG. 69 shows a front view of the twelfth embodiment.

FIG. 70 shows a right-side view of the twelfth embodiment. A left-side view of this embodiment is a mirror image of this figure.

FIG. 71 shows a back view of the twelfth embodiment; and,

FIG. 72 shows a bottom view of the twelfth embodiment.

1 Claim, 24 Drawing Sheets

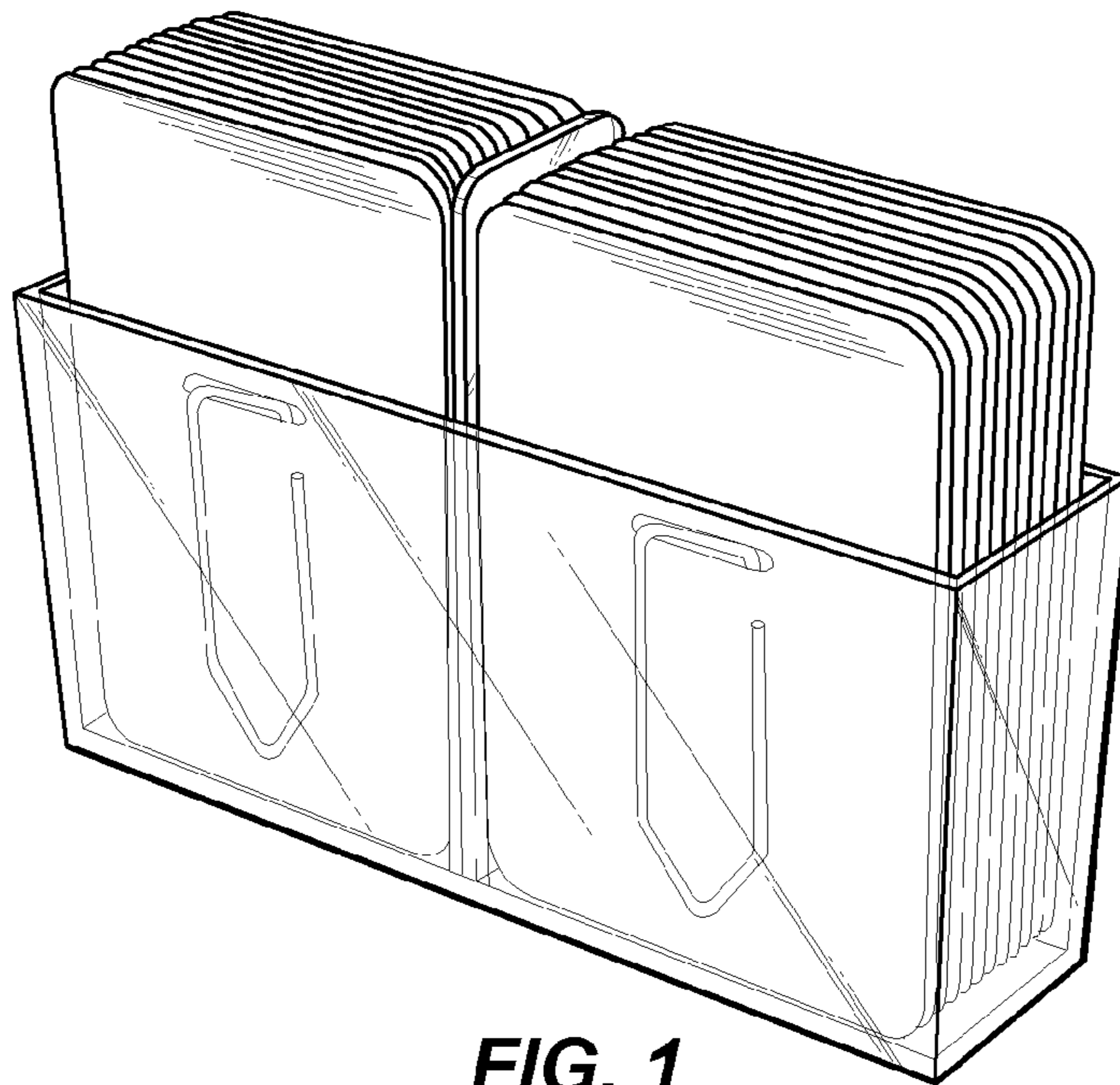


FIG. 1

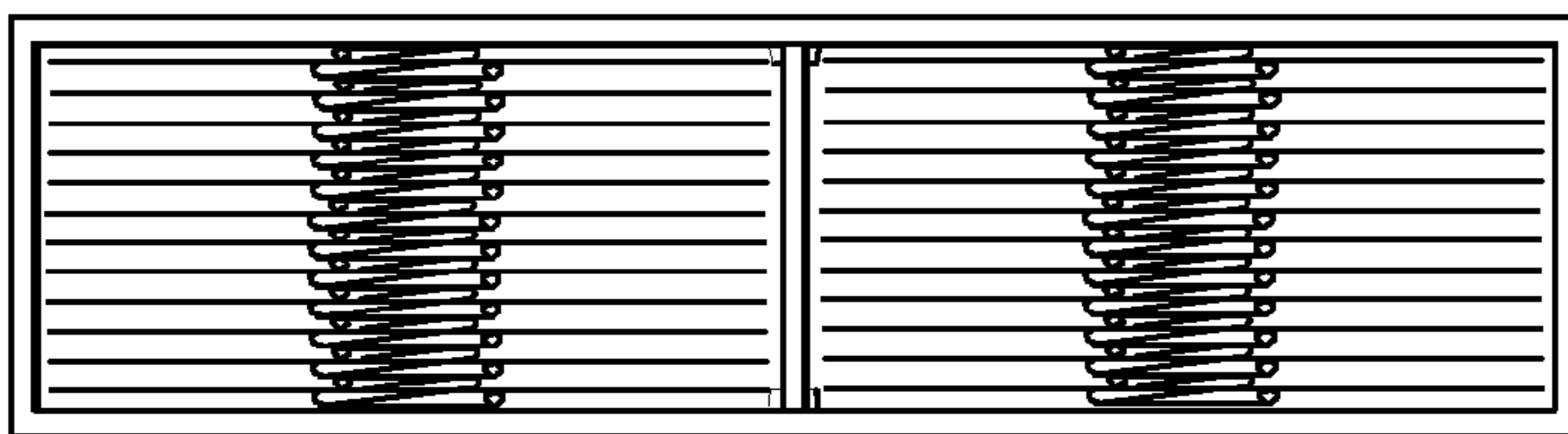


FIG. 2

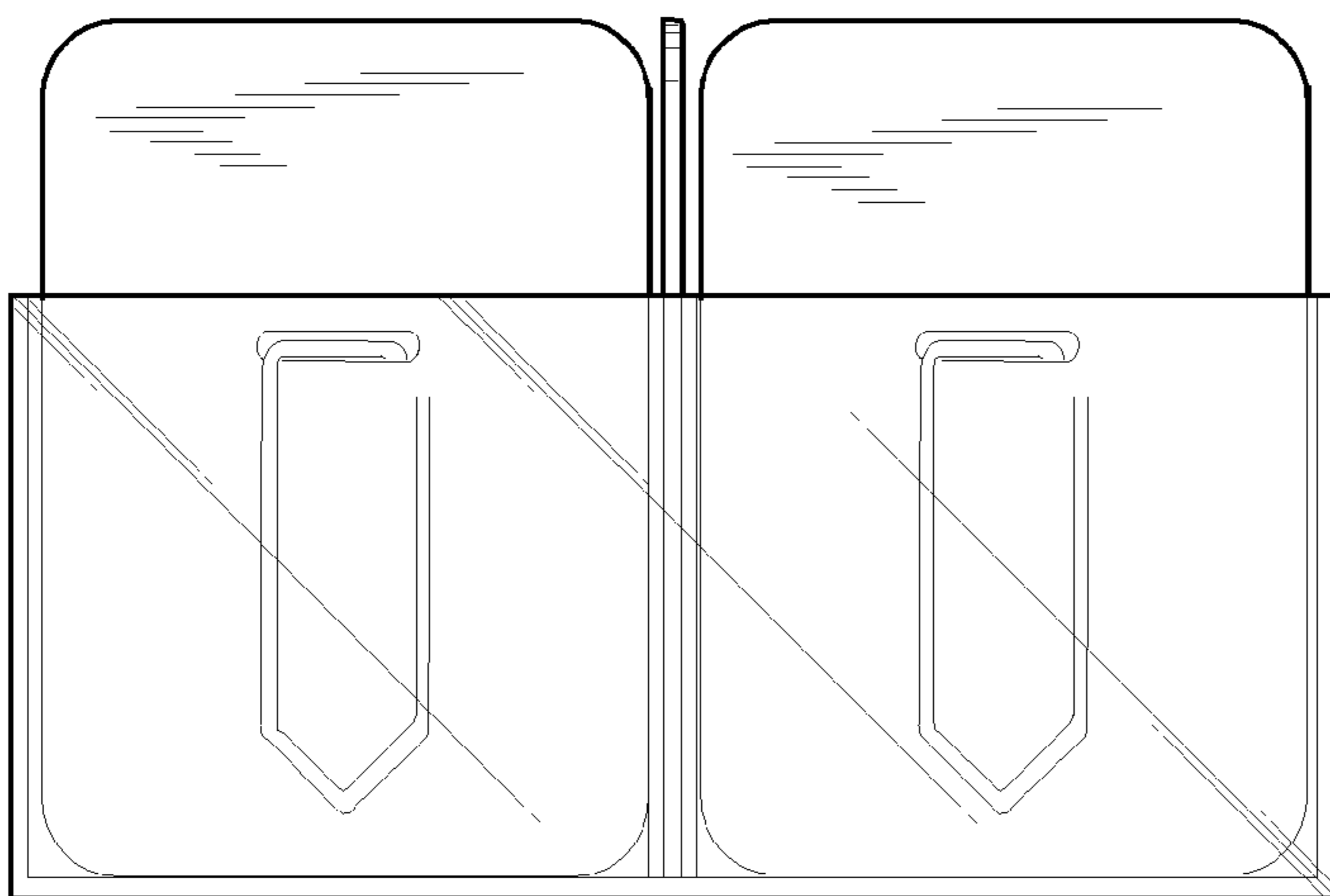


FIG. 3

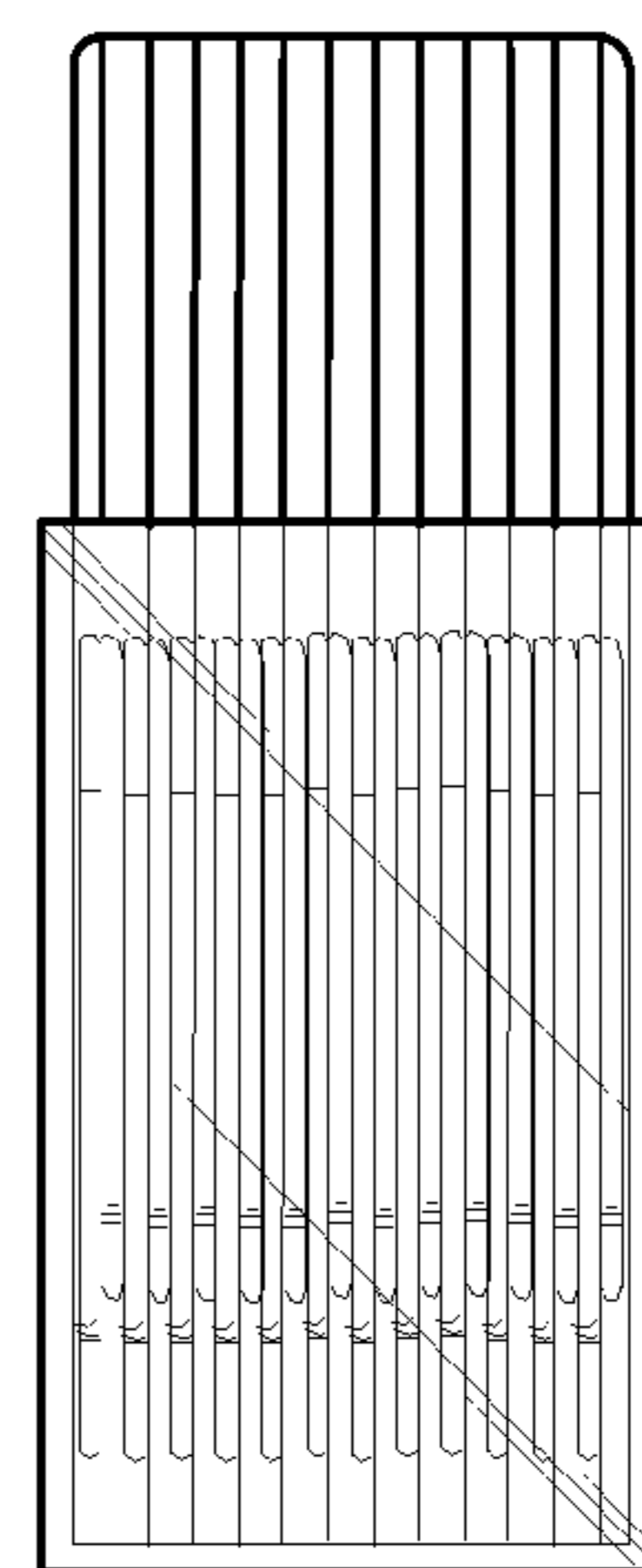


FIG. 4

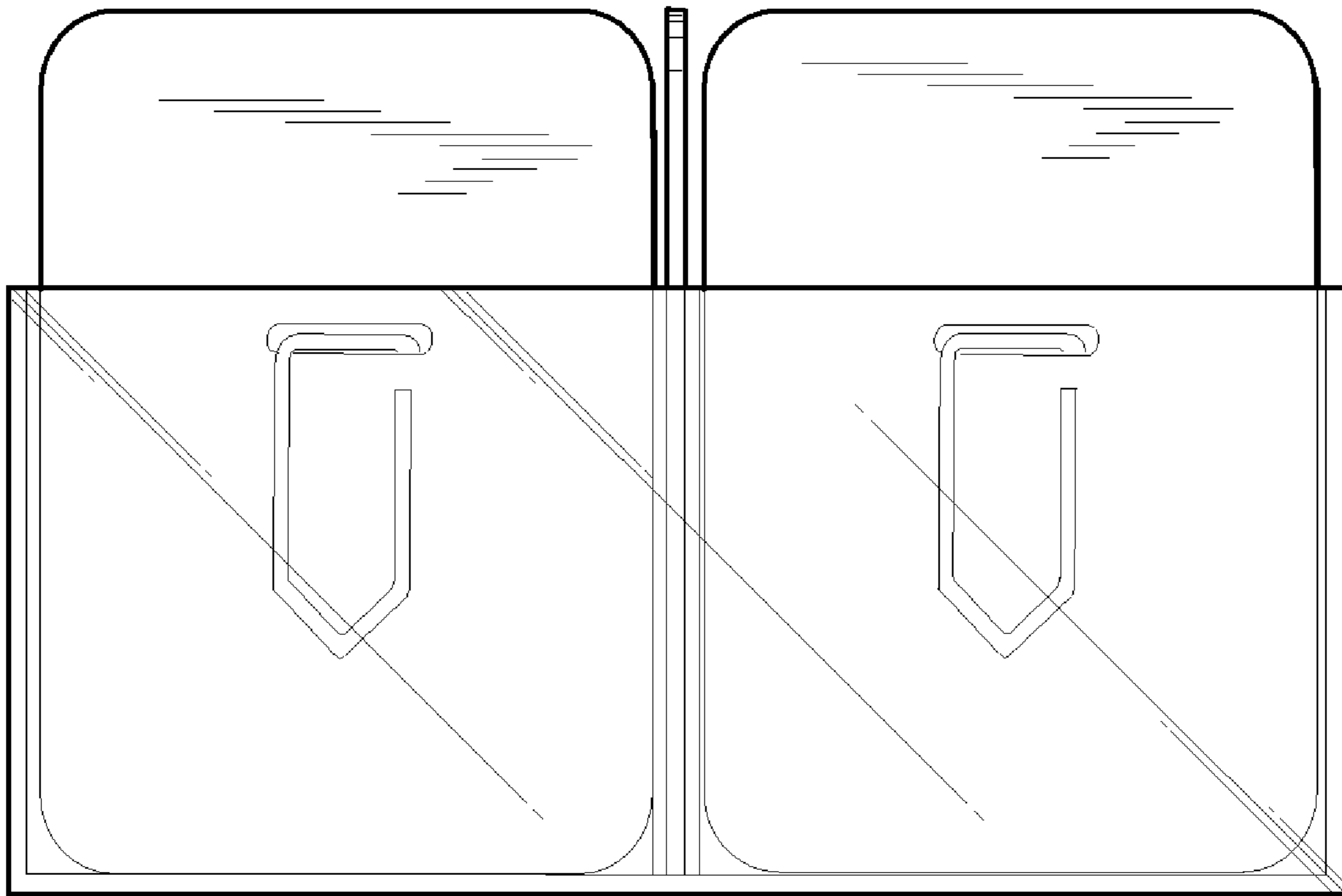


FIG. 5

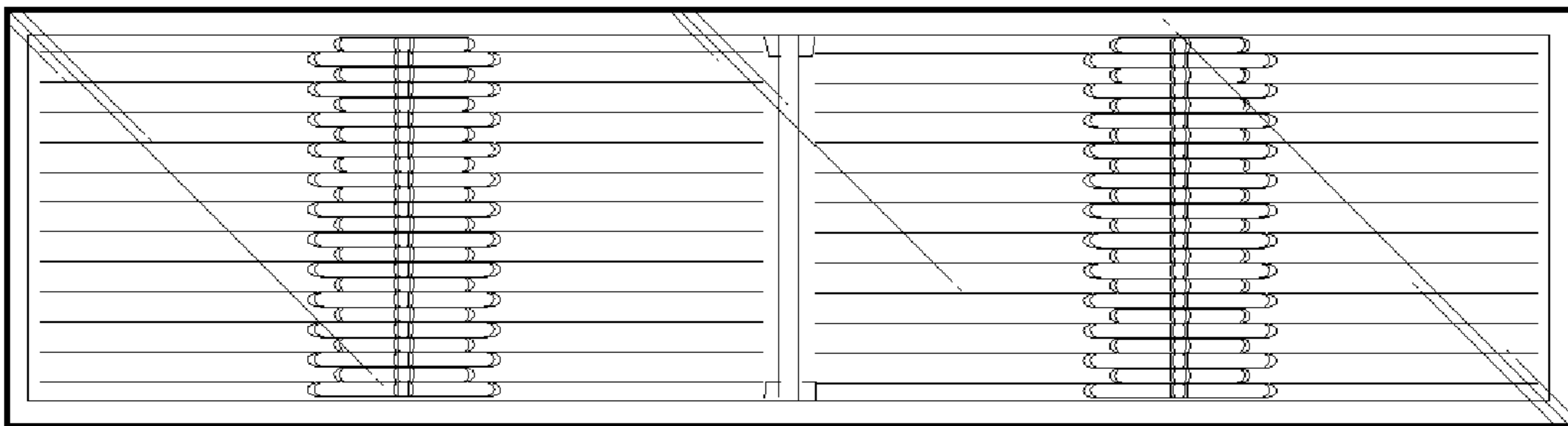


FIG. 6

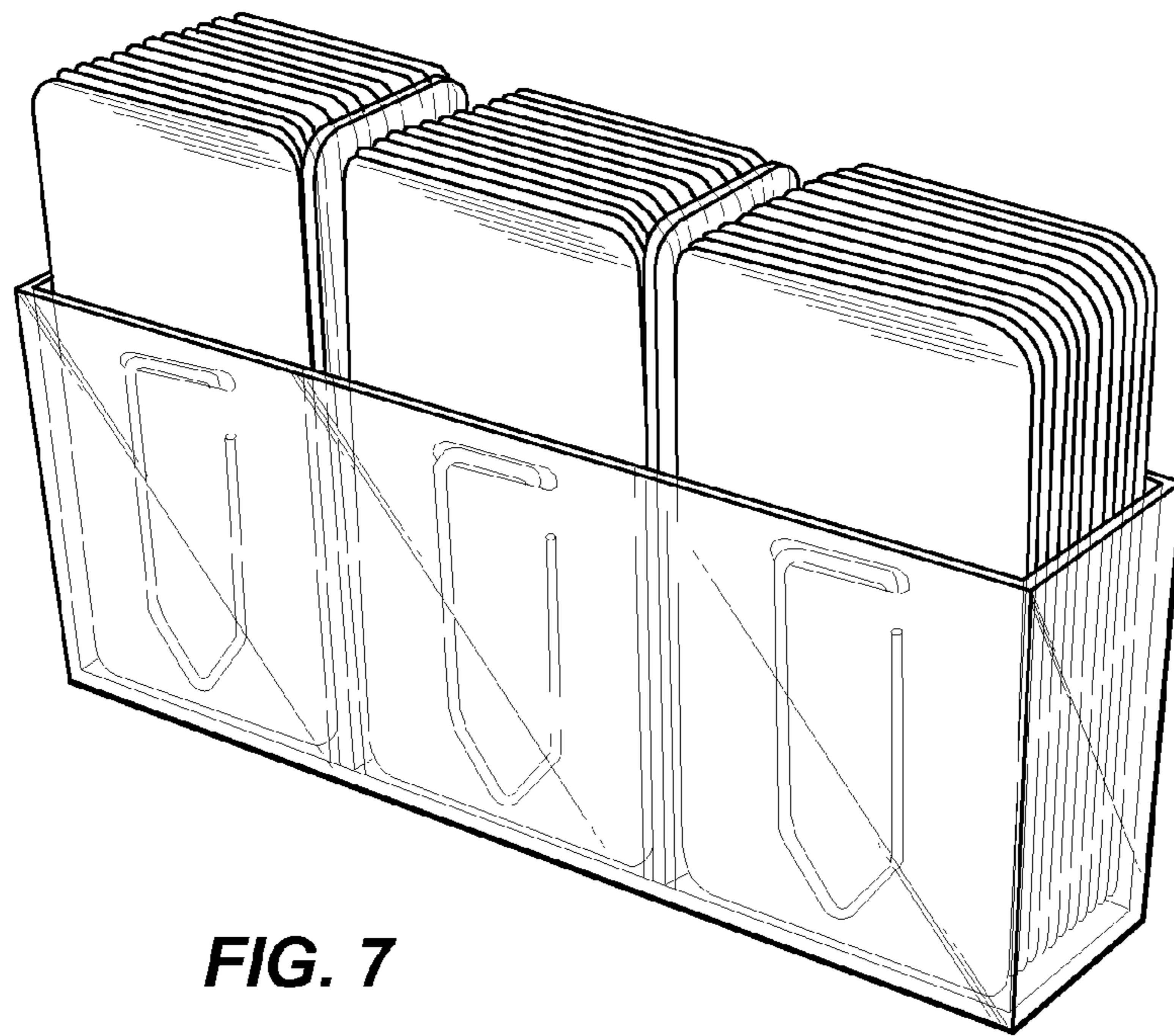


FIG. 7

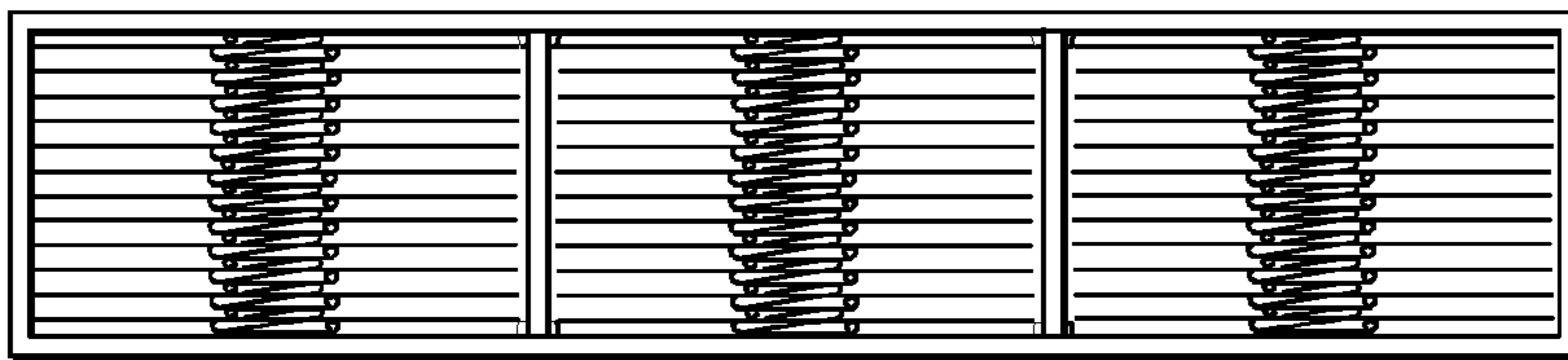


FIG. 8

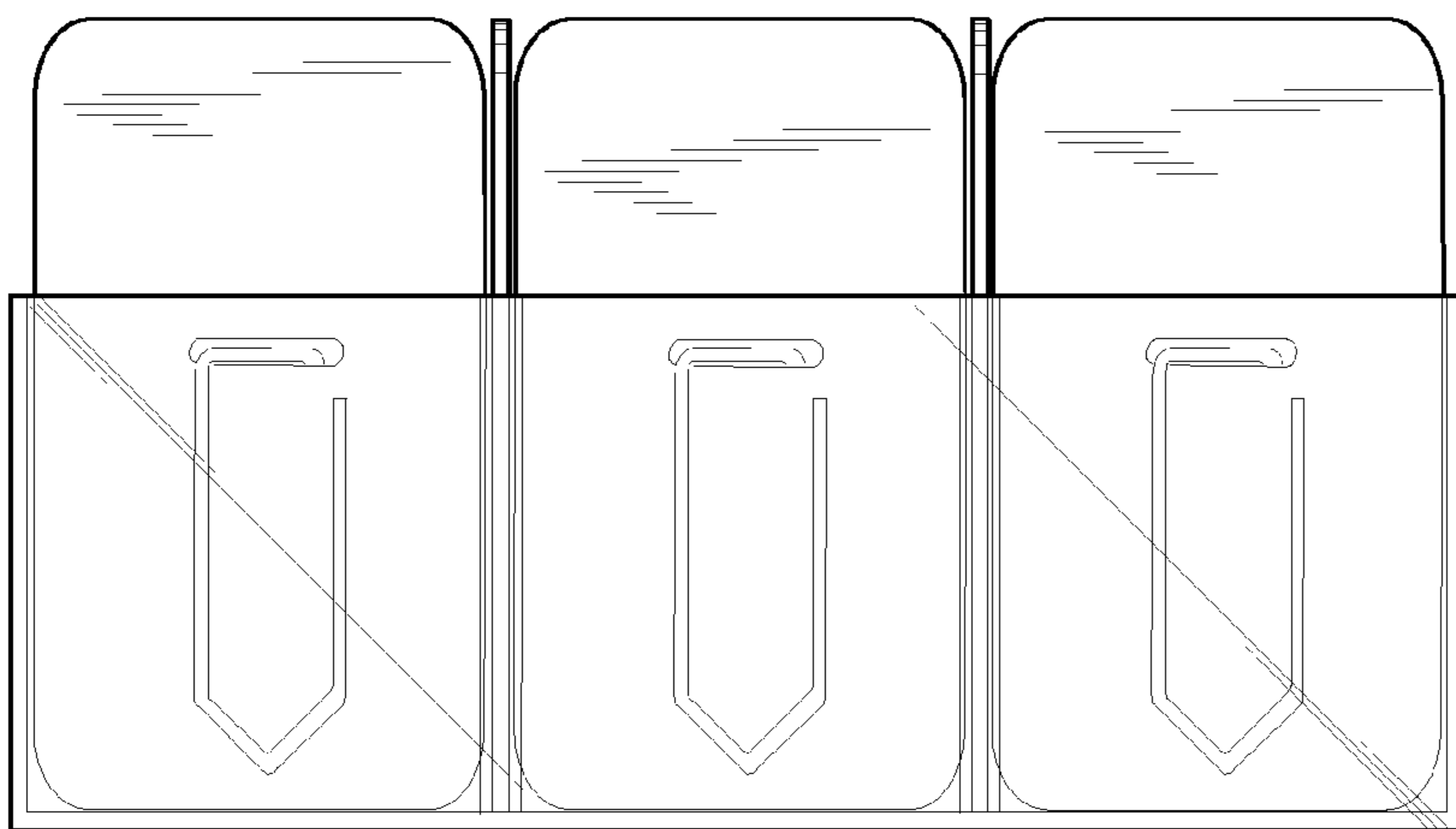


FIG. 9

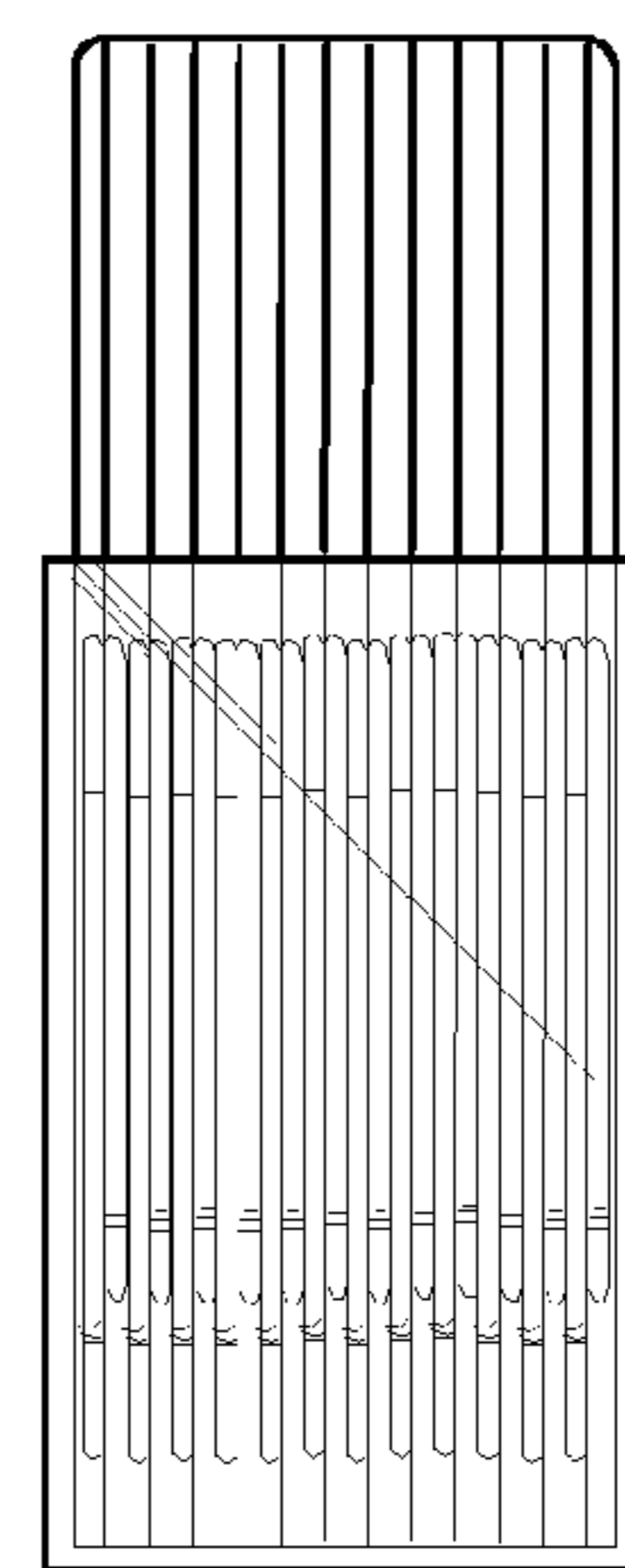


FIG. 10

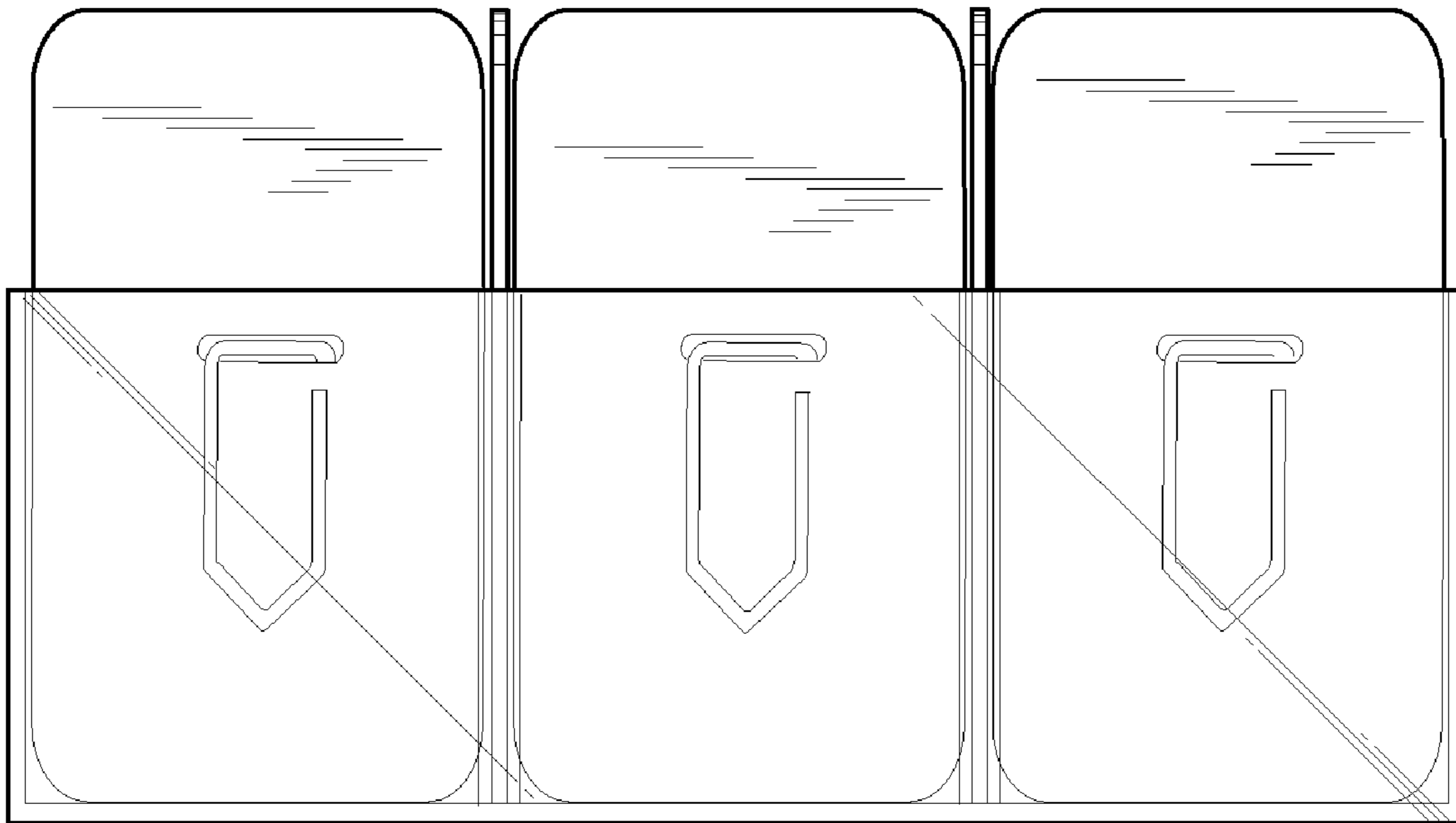


FIG. 11

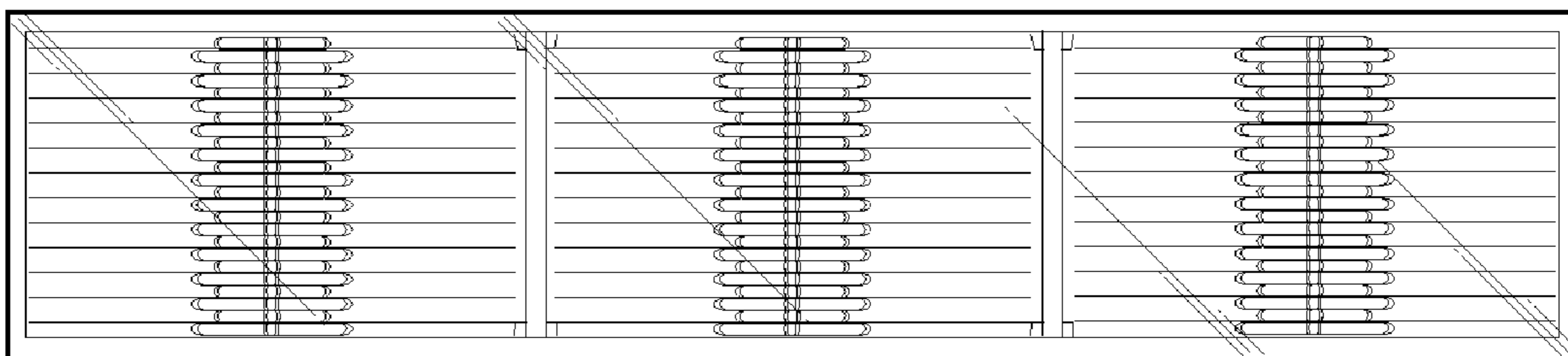


FIG. 12

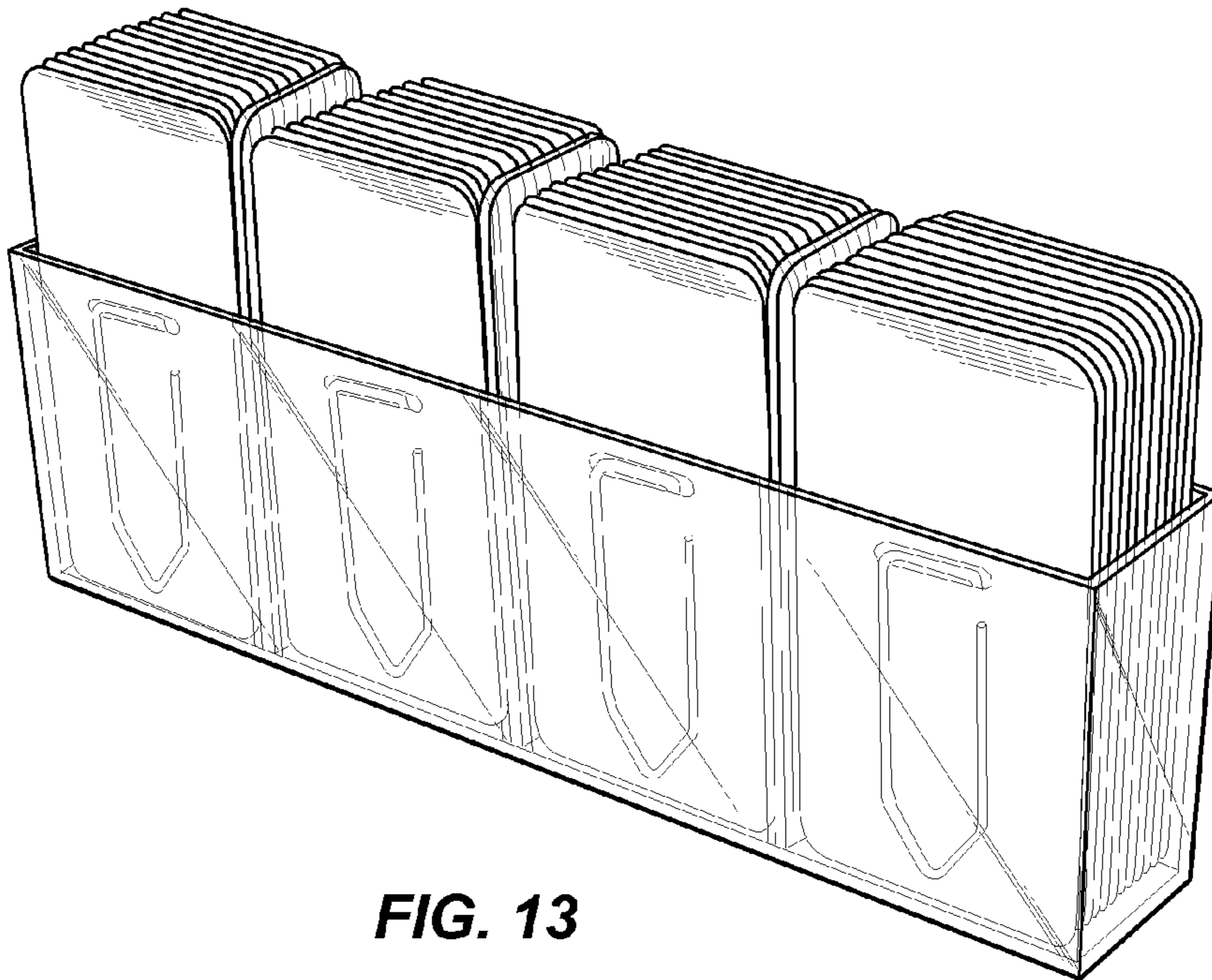


FIG. 13

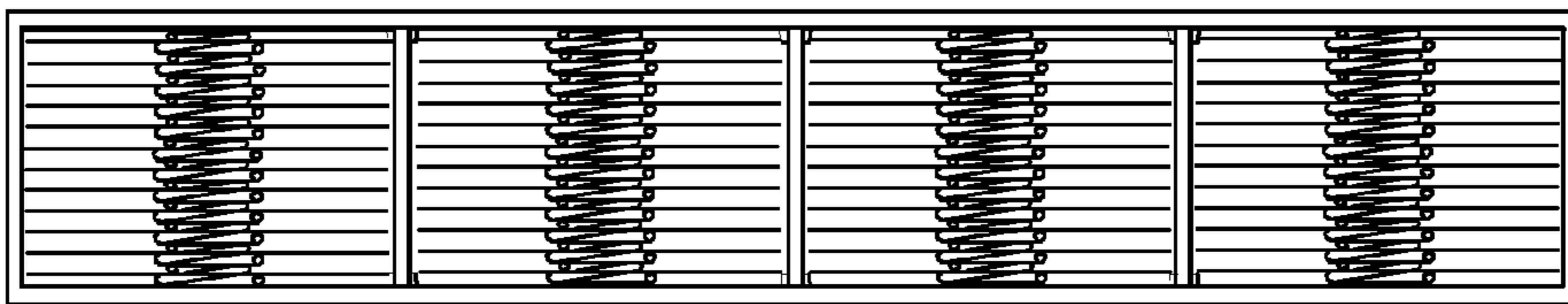


FIG. 14

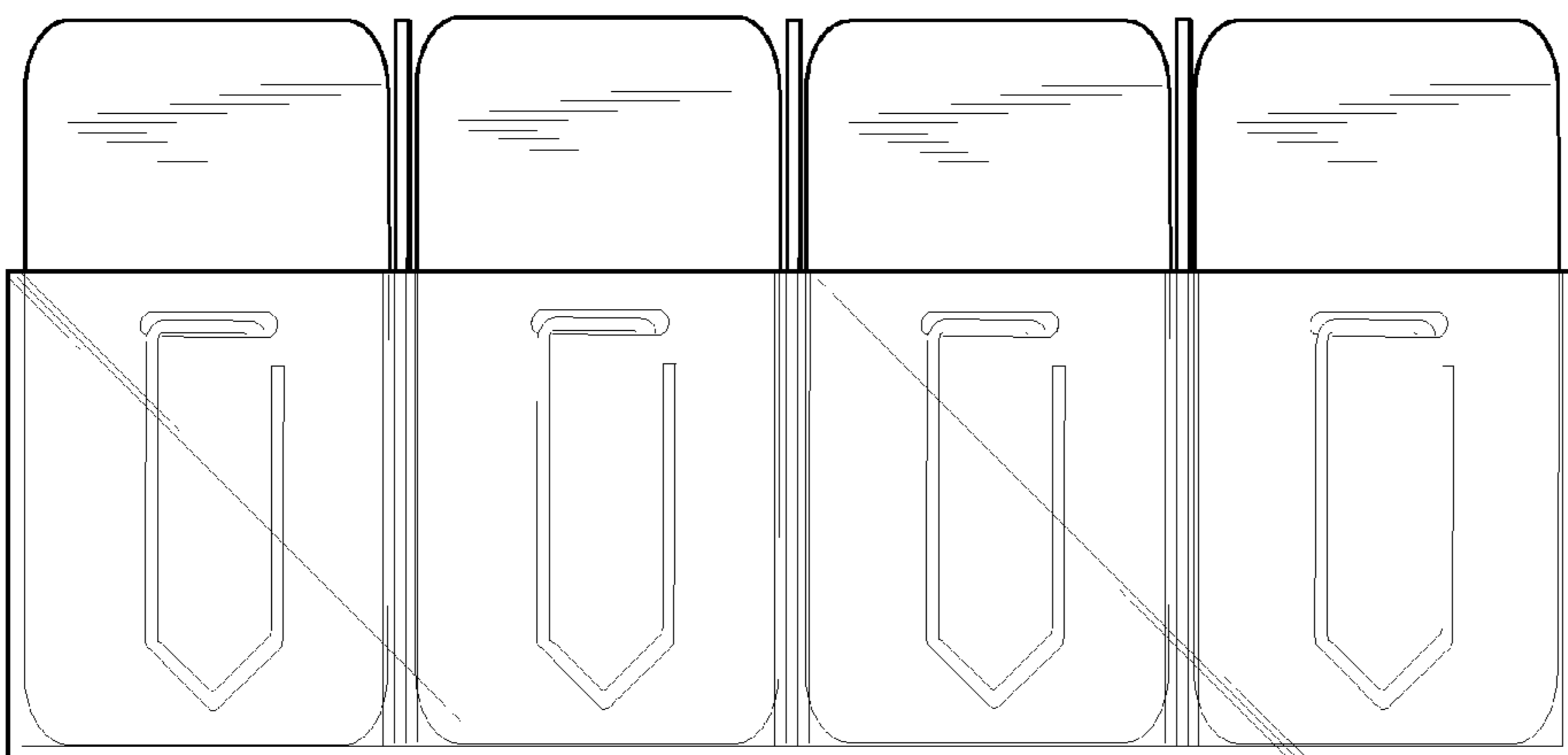


FIG. 15

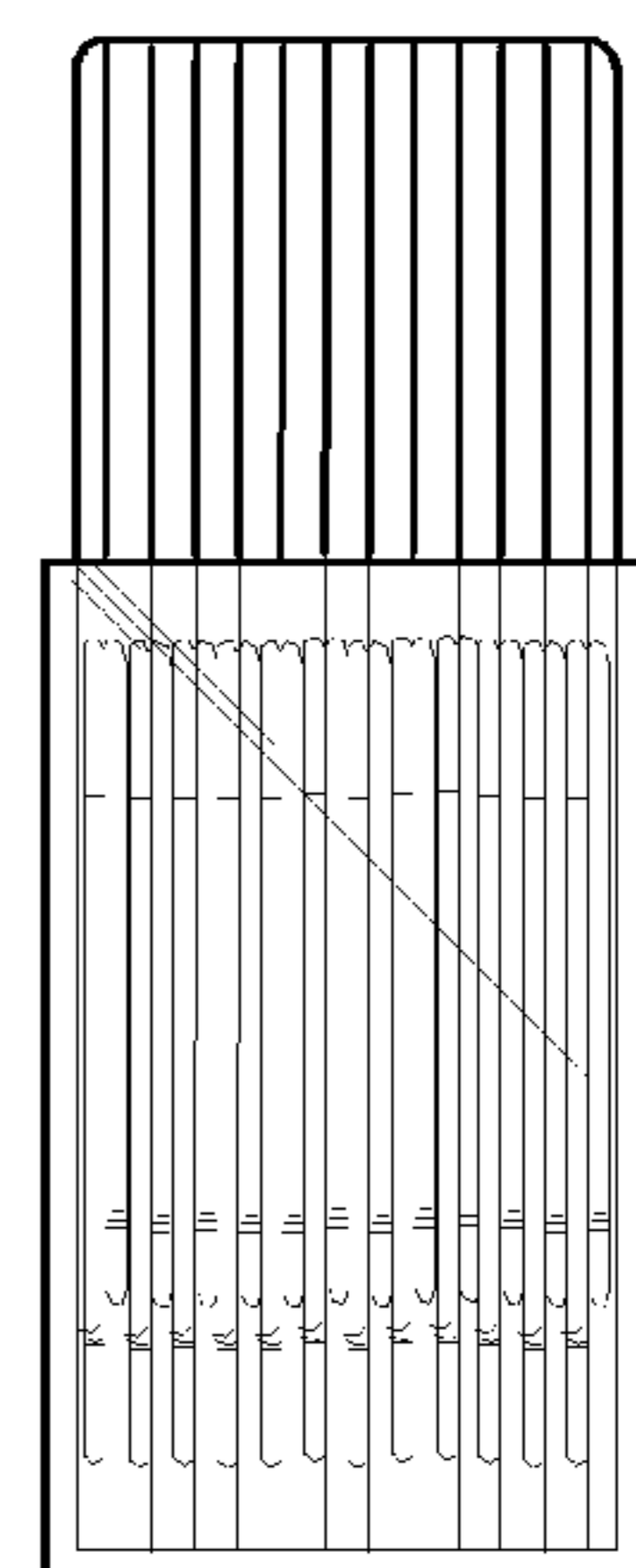


FIG. 16

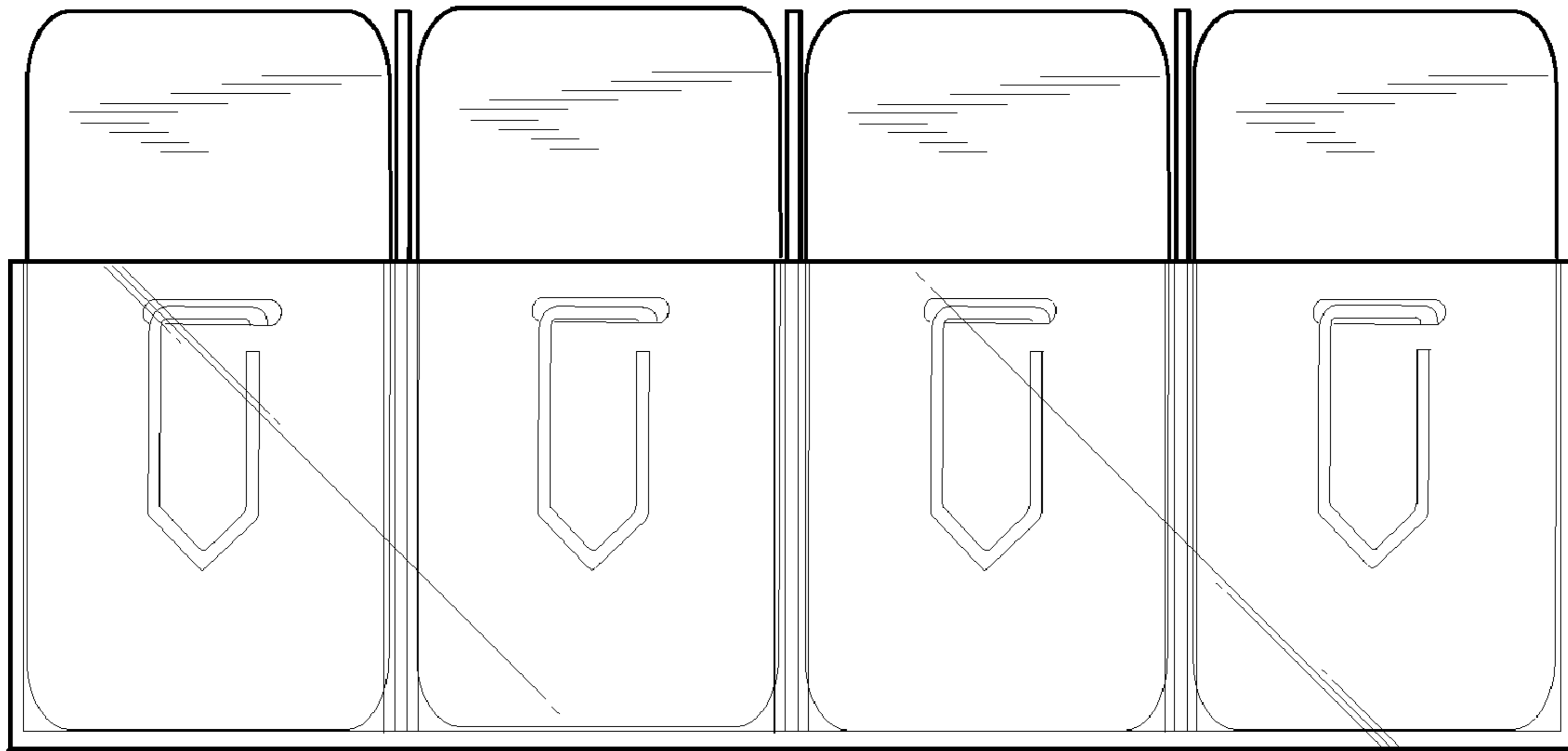


FIG. 17

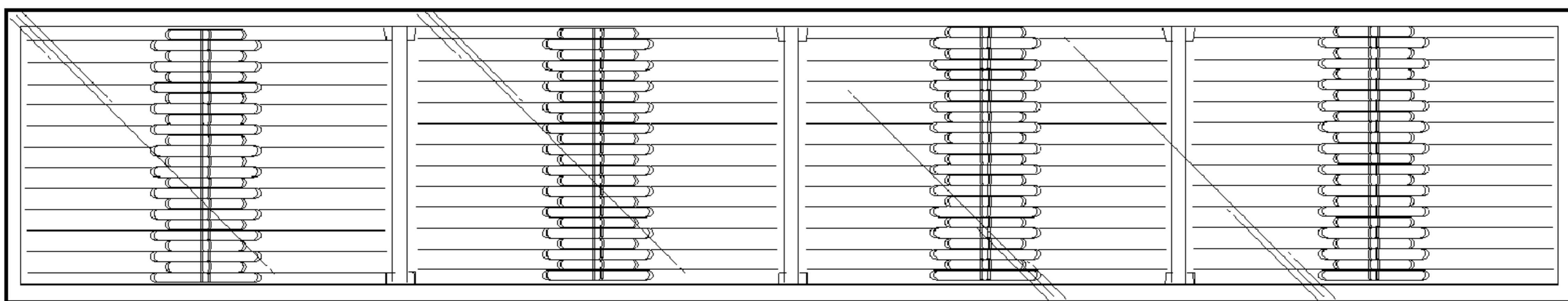


FIG. 18

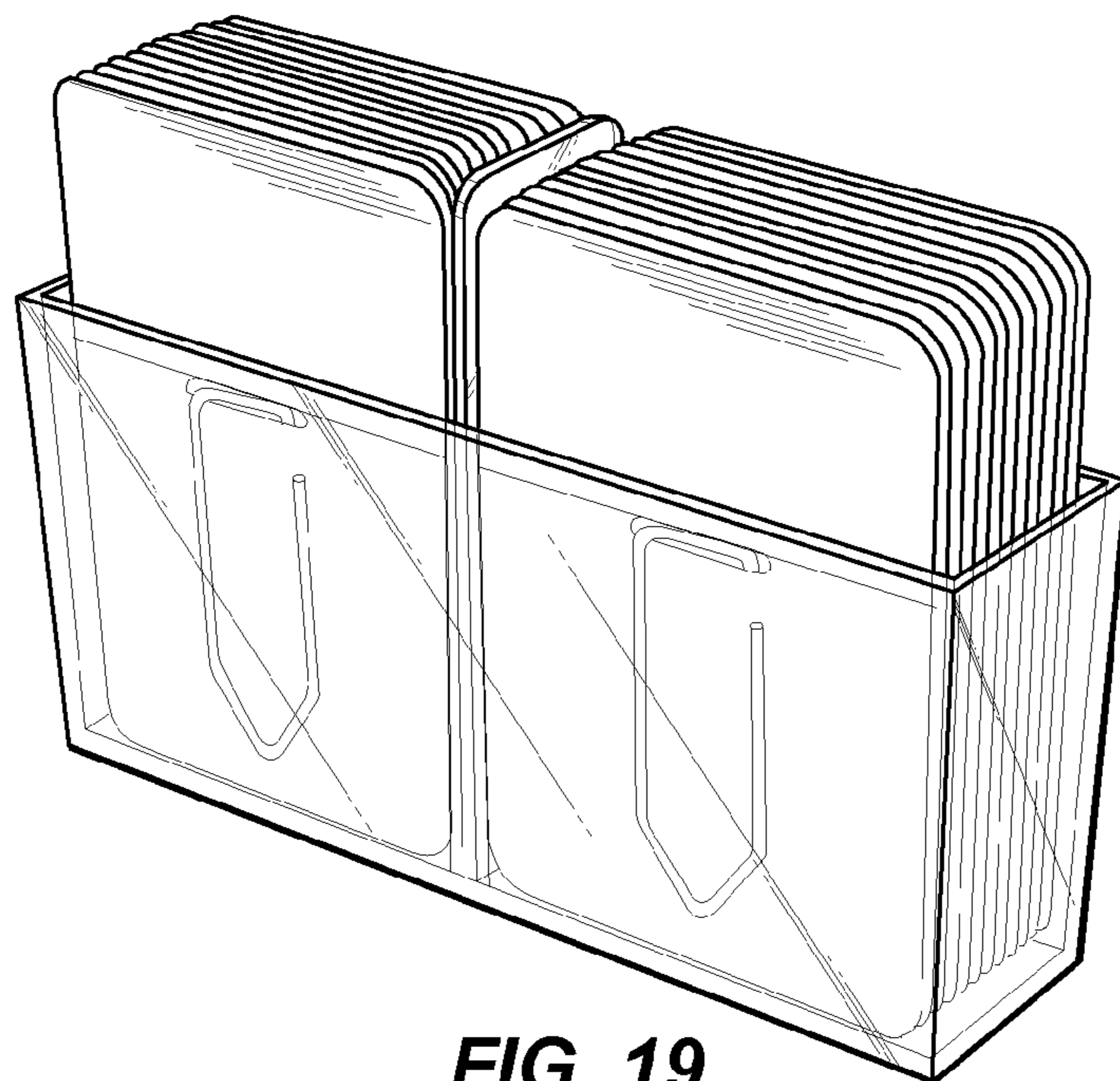


FIG. 19

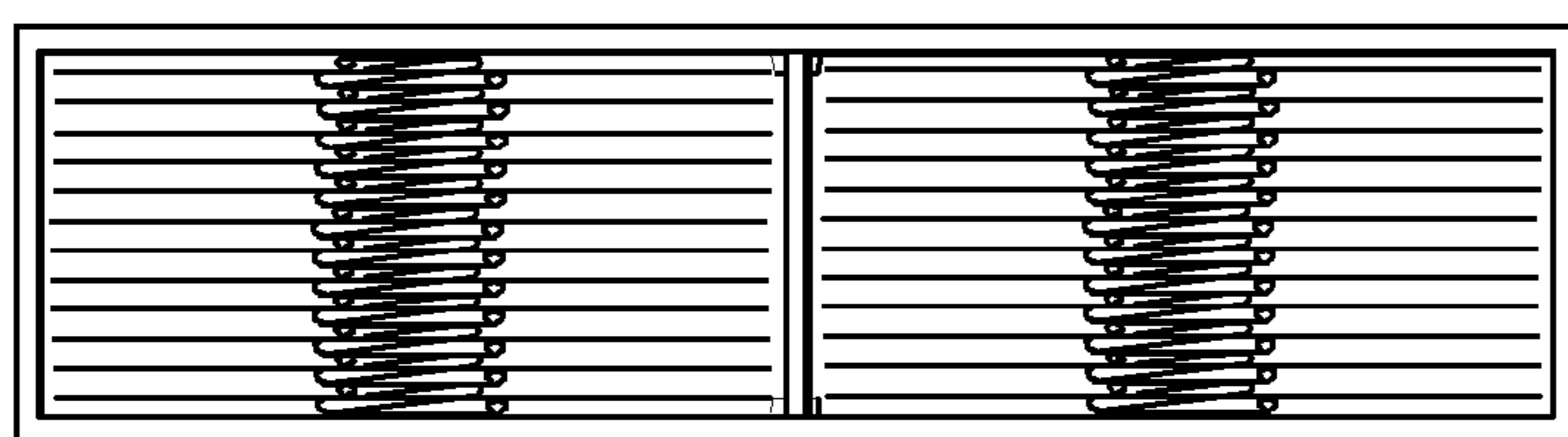


FIG. 20

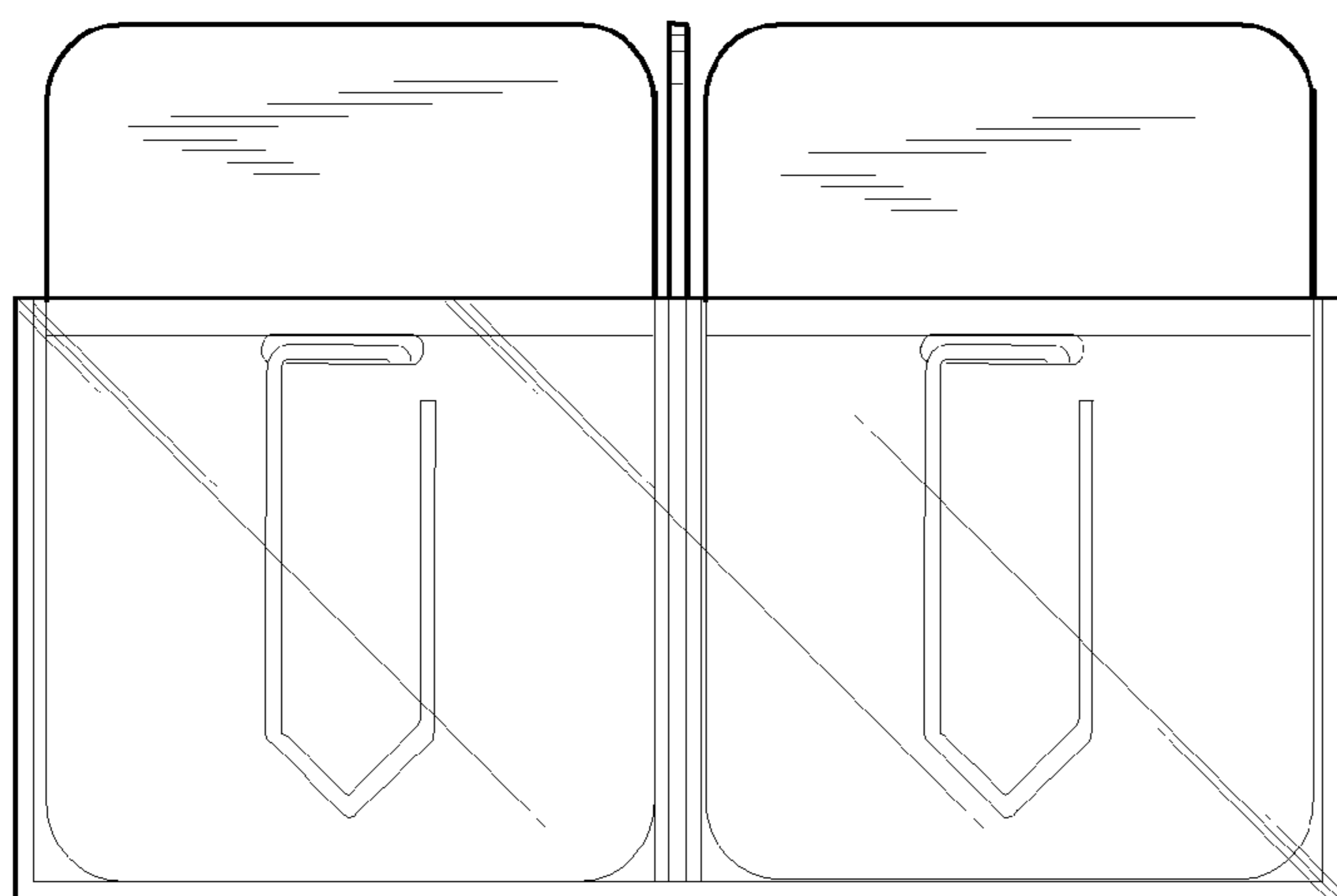


FIG. 21

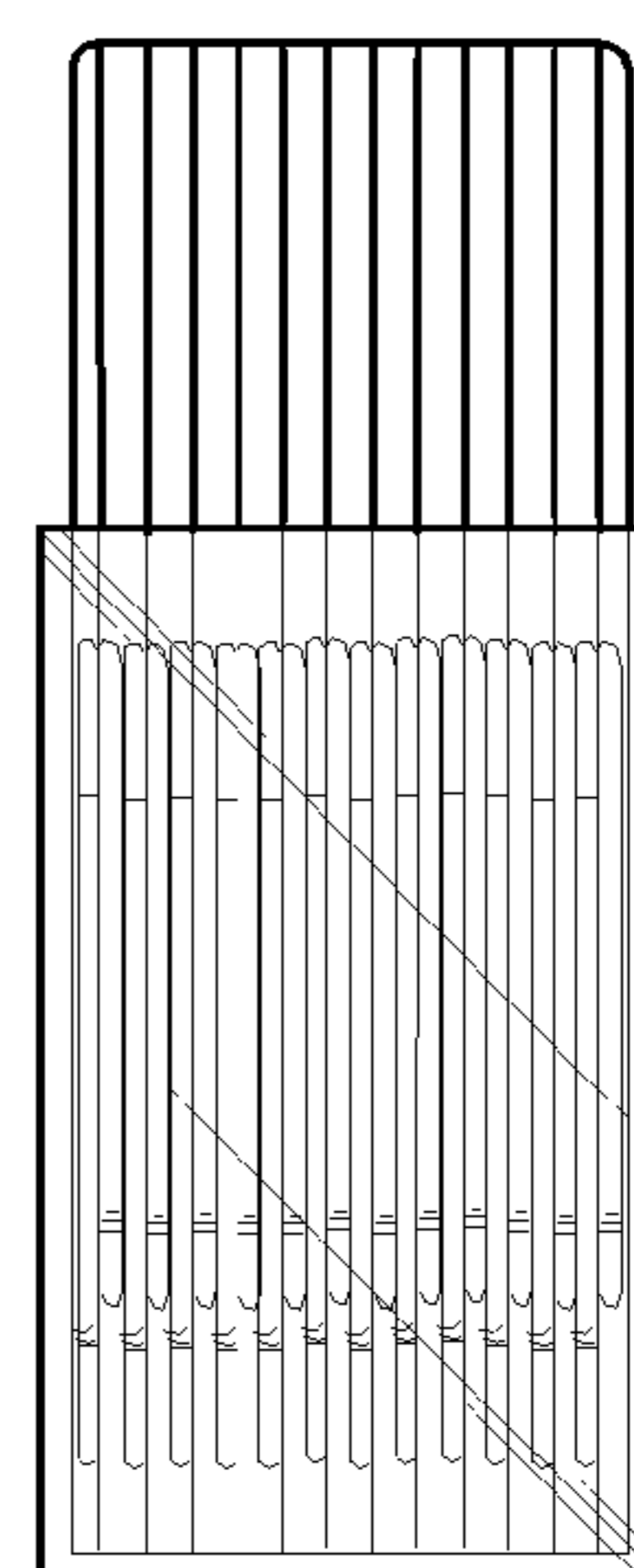


FIG. 22

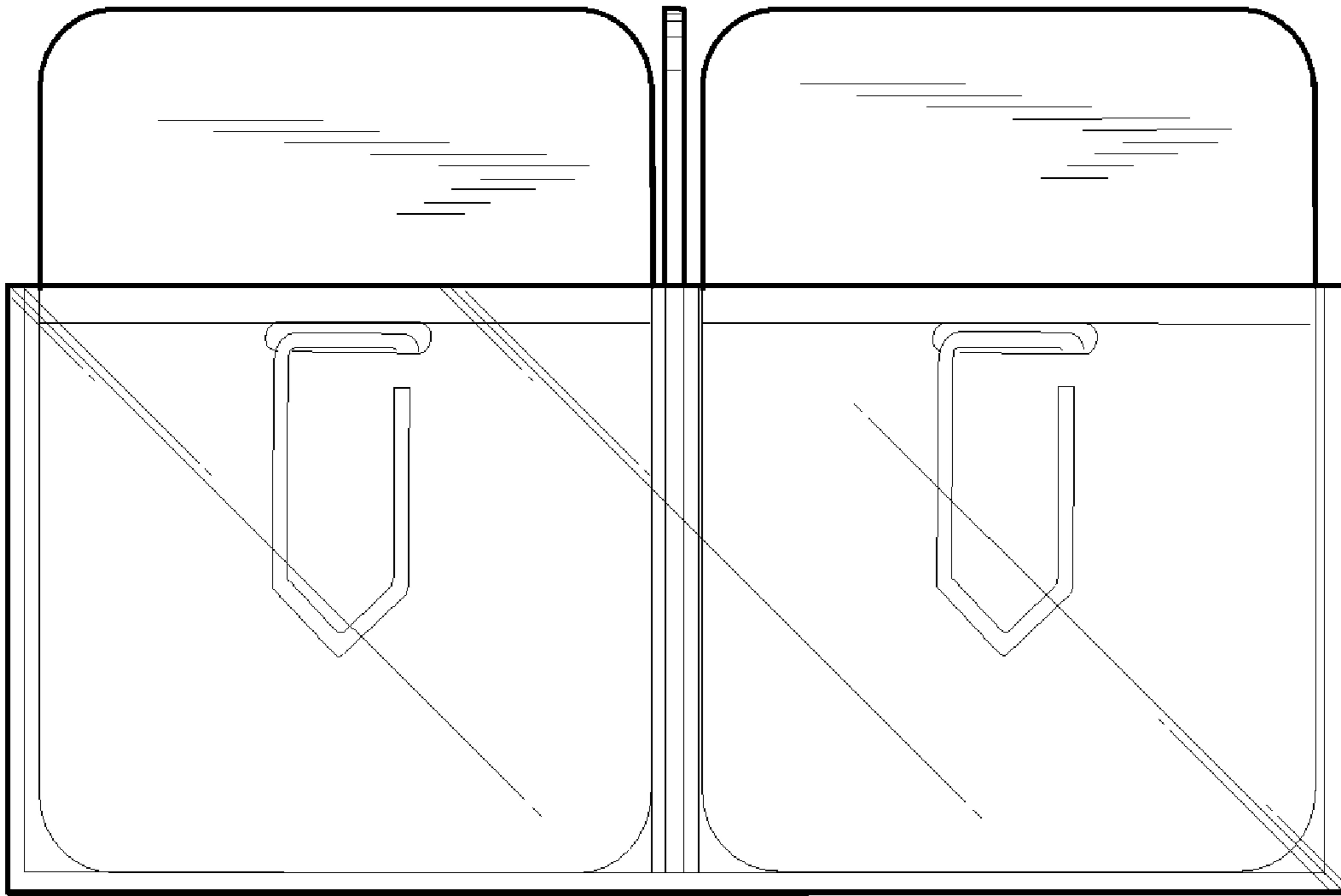


FIG. 23

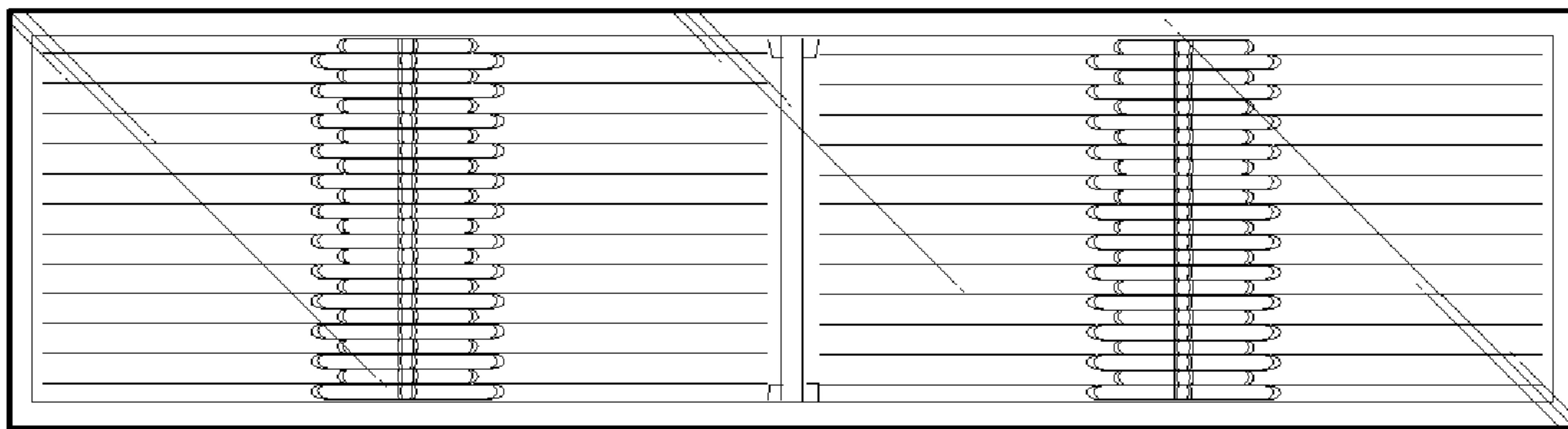


FIG. 24

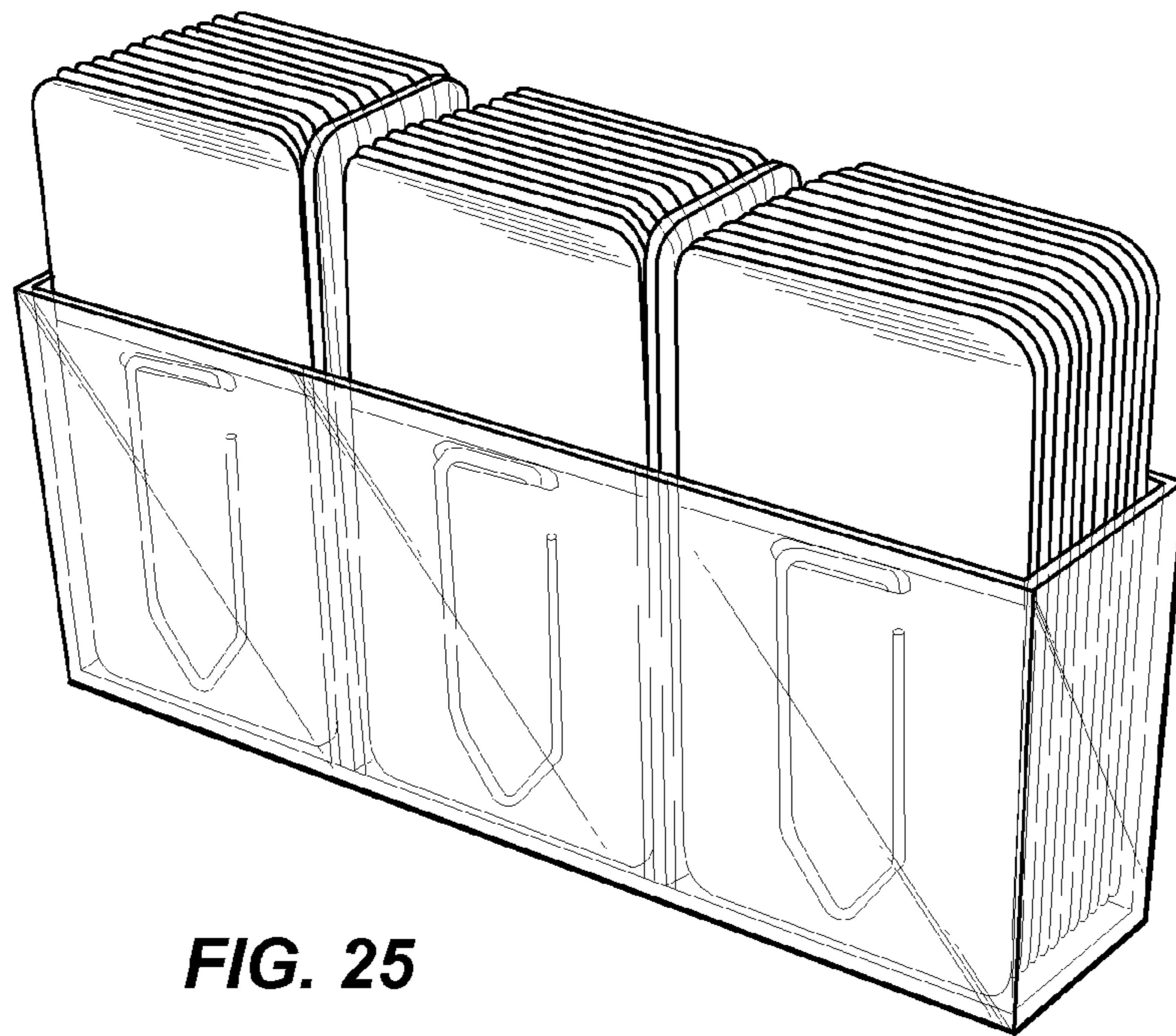


FIG. 25



FIG. 26

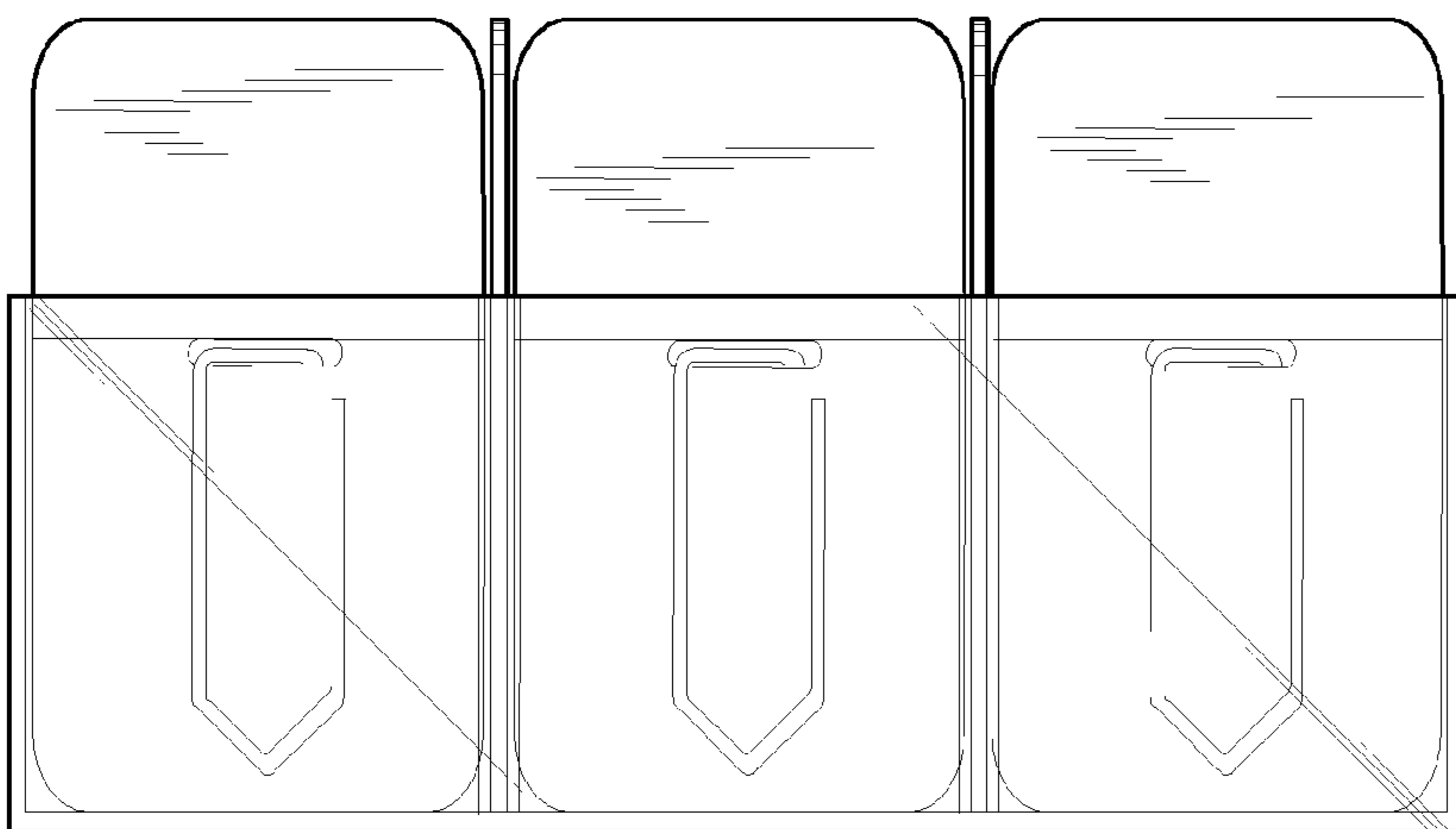


FIG. 27

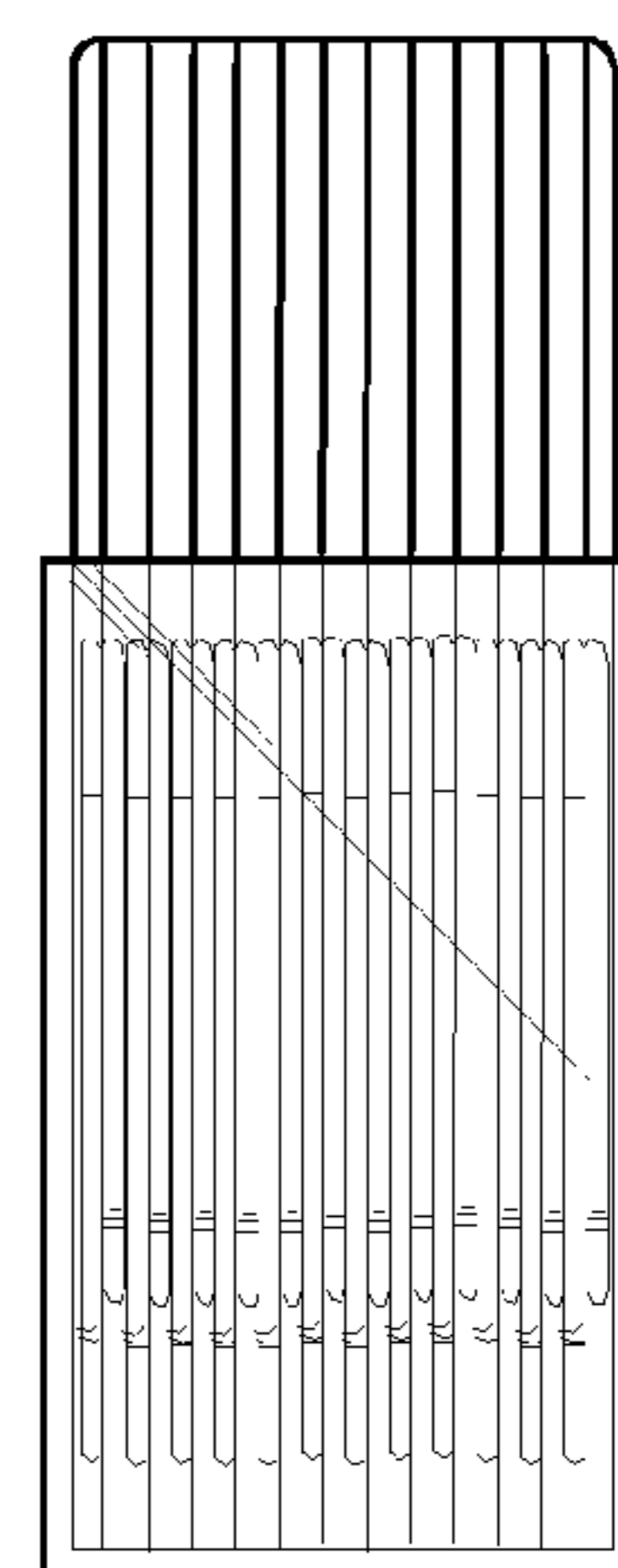


FIG. 28

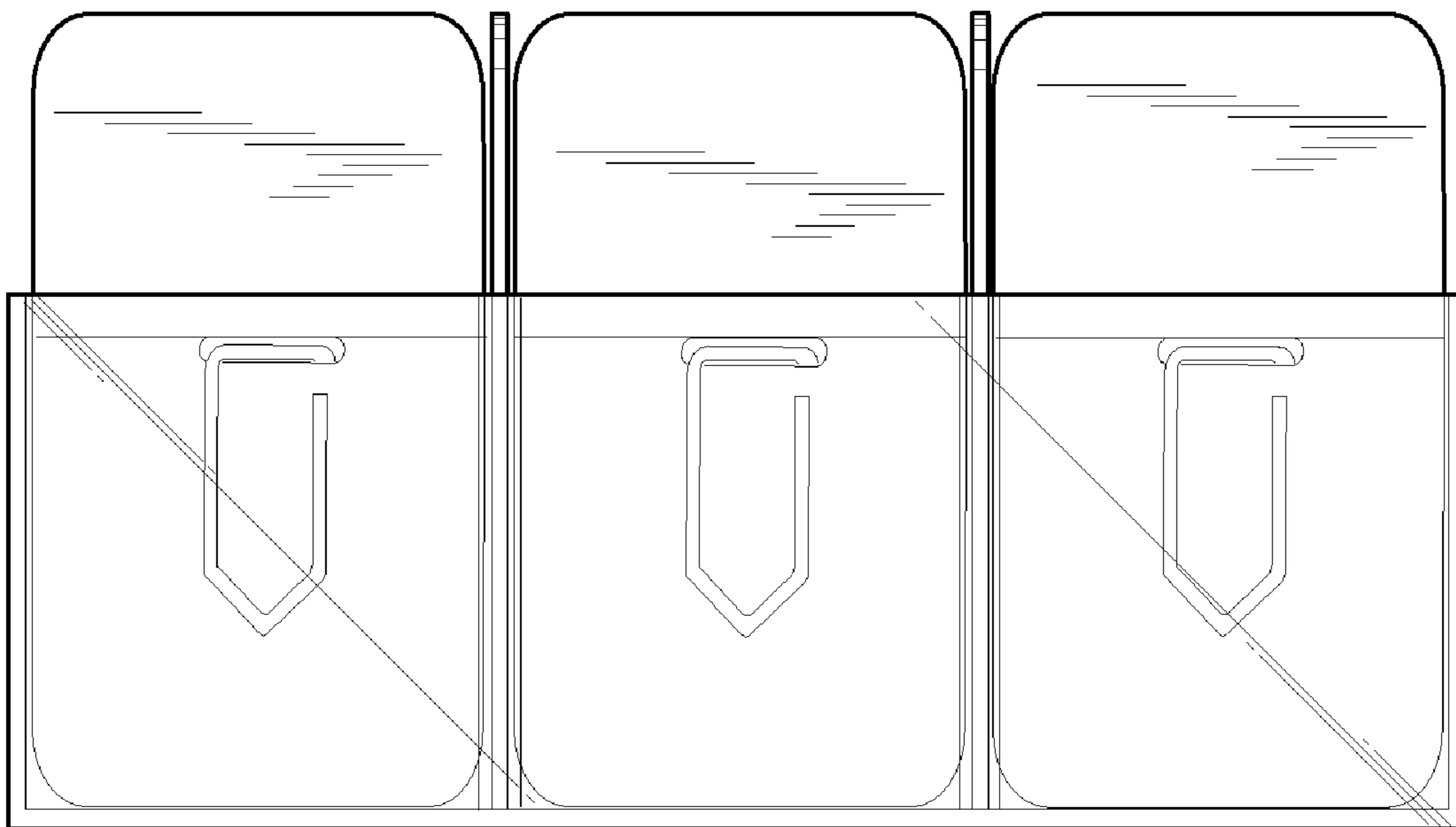


FIG. 29

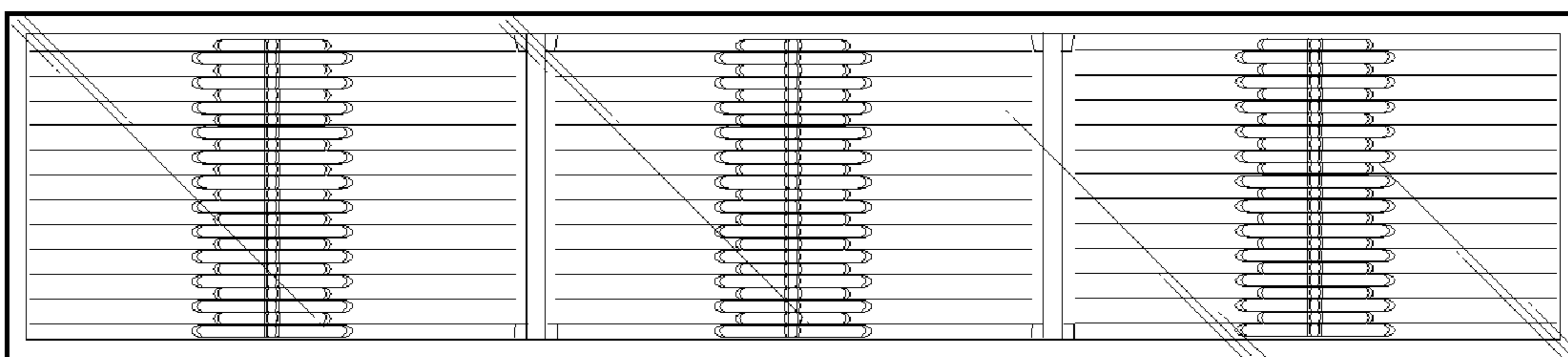


FIG. 30

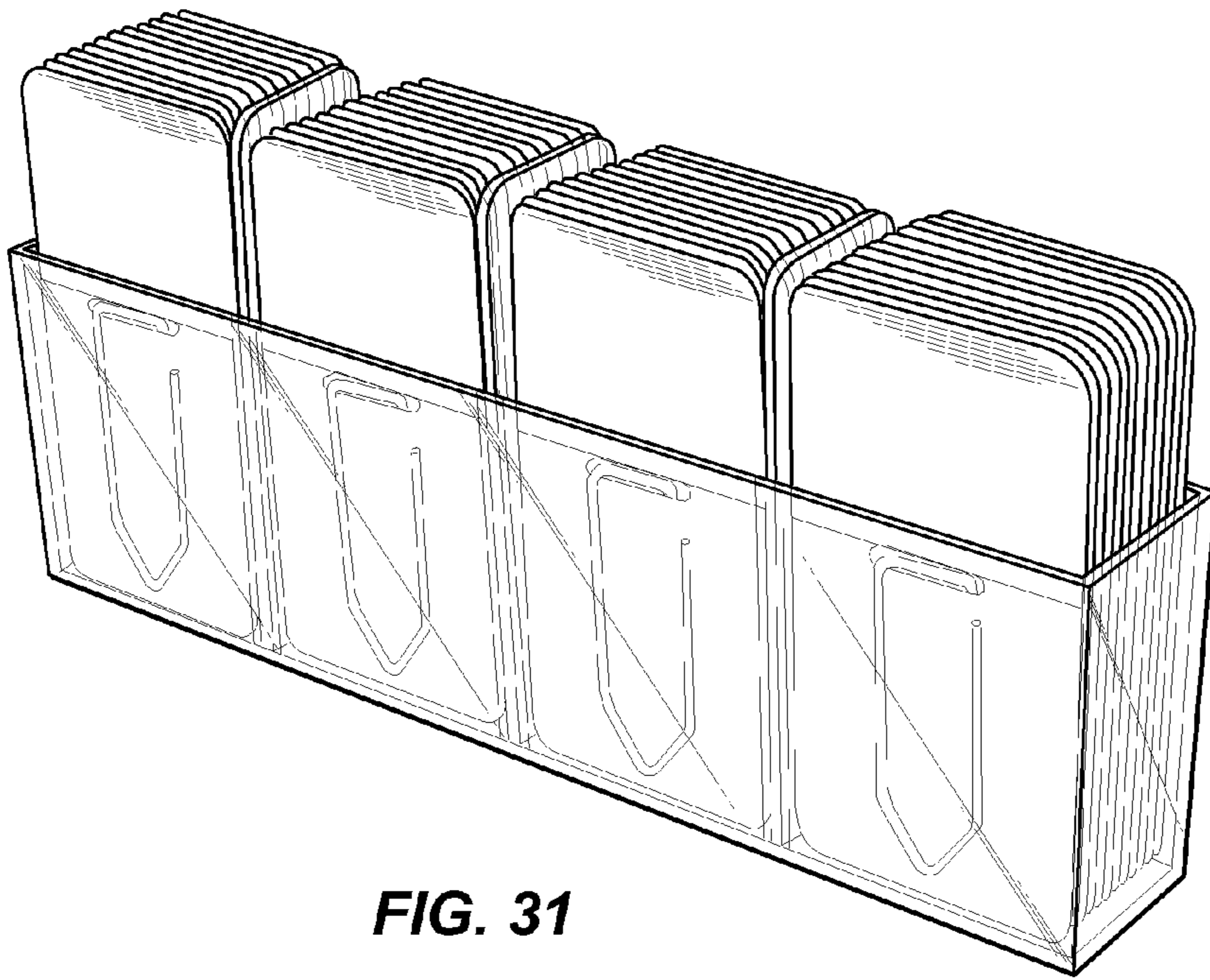


FIG. 31

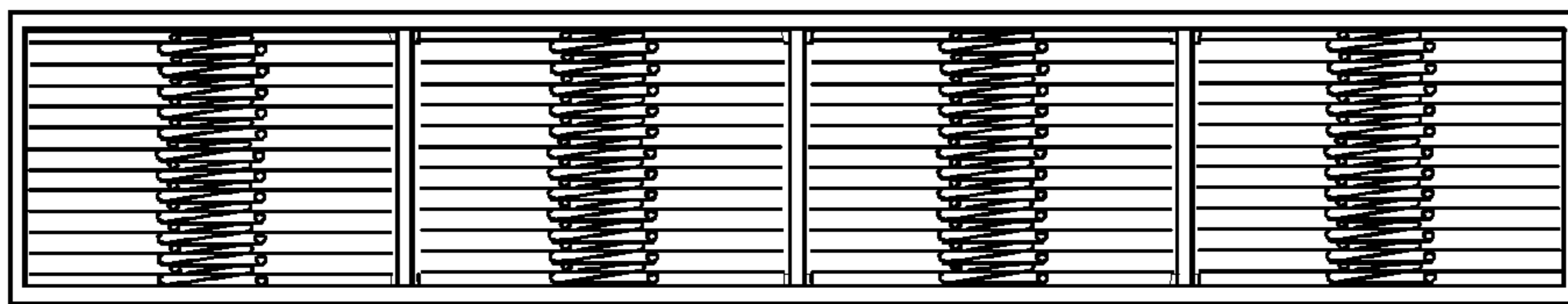


FIG. 32

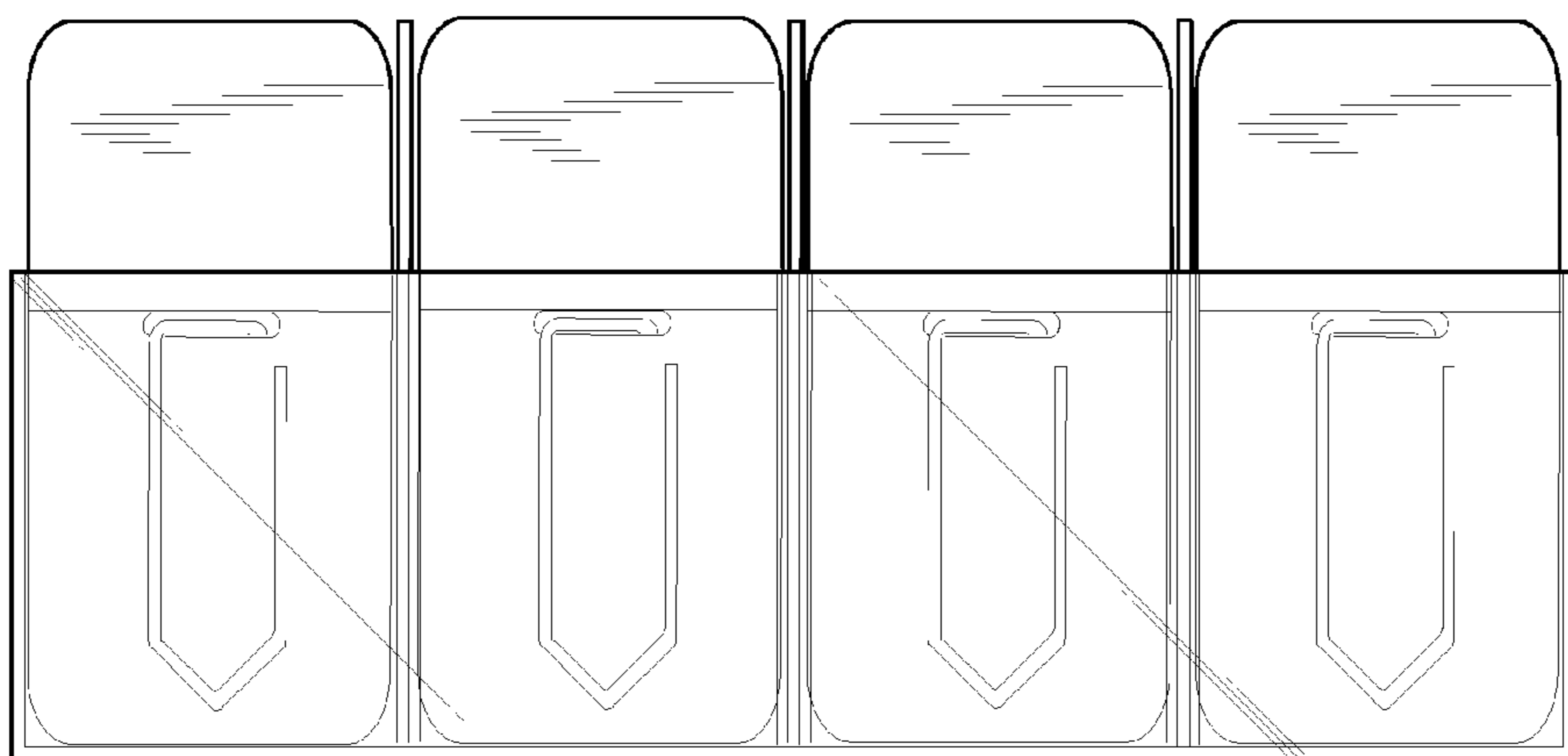


FIG. 33

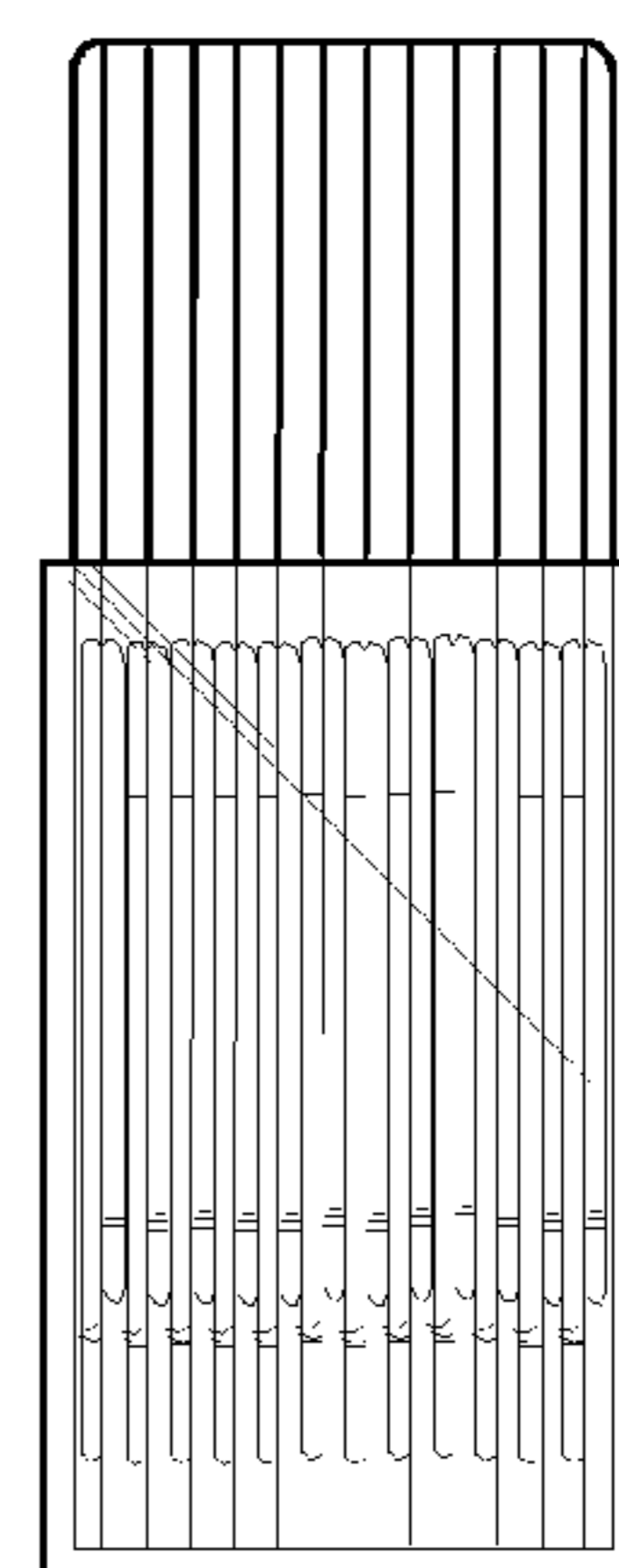


FIG. 34

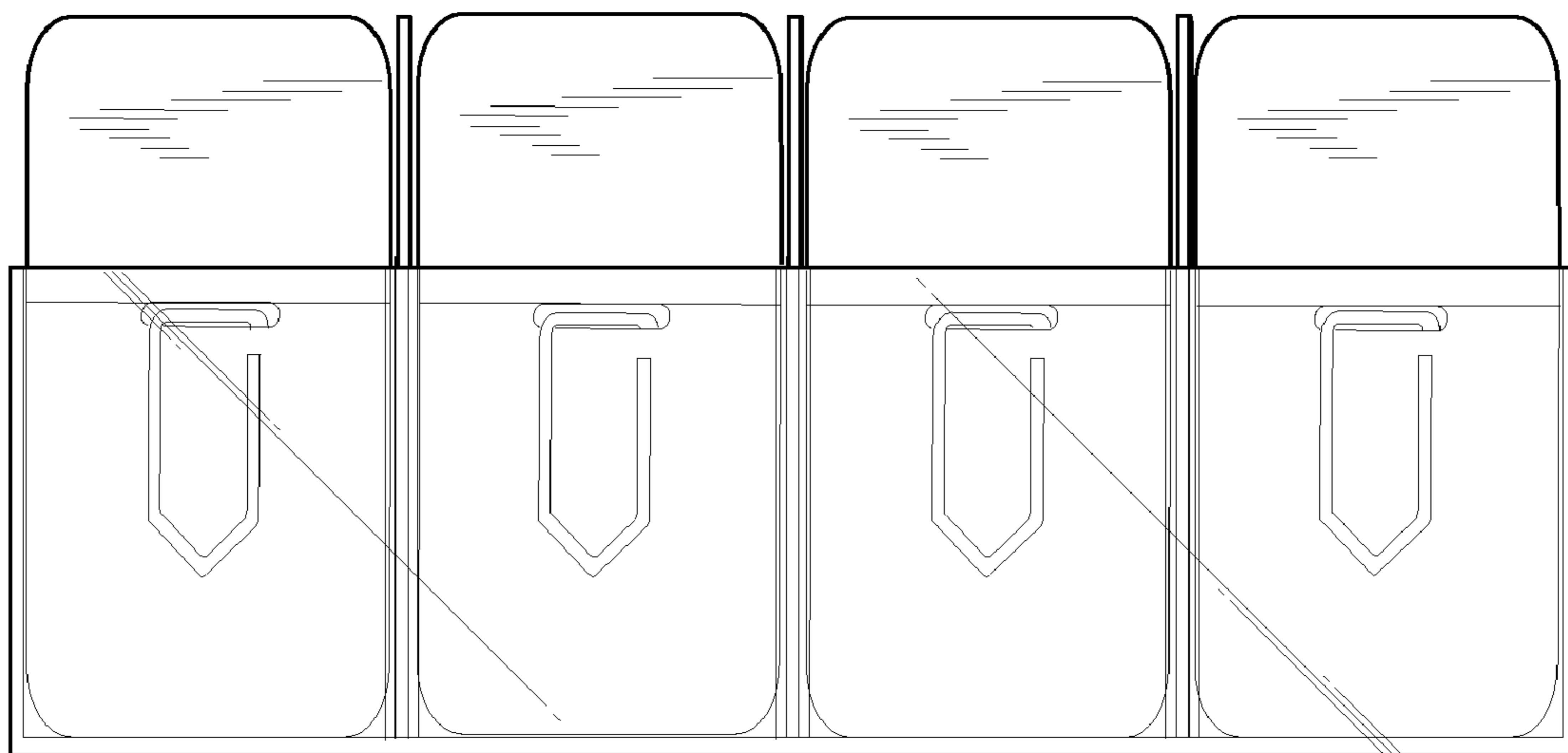


FIG. 35

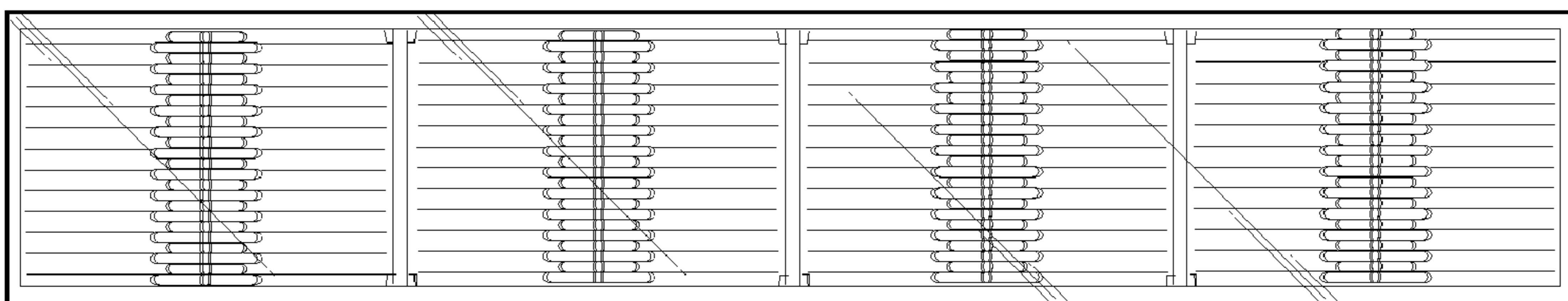


FIG. 36

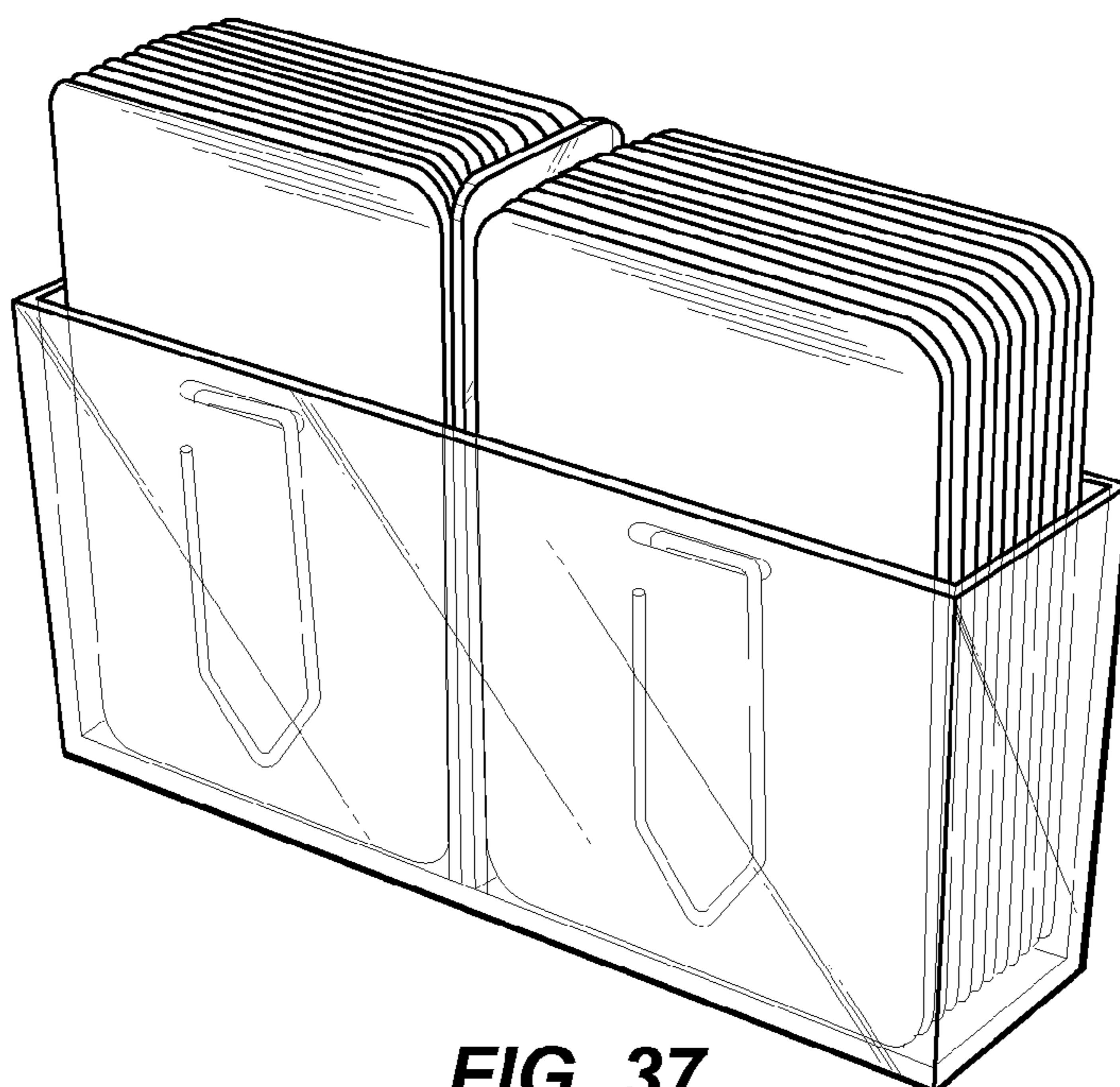


FIG. 37

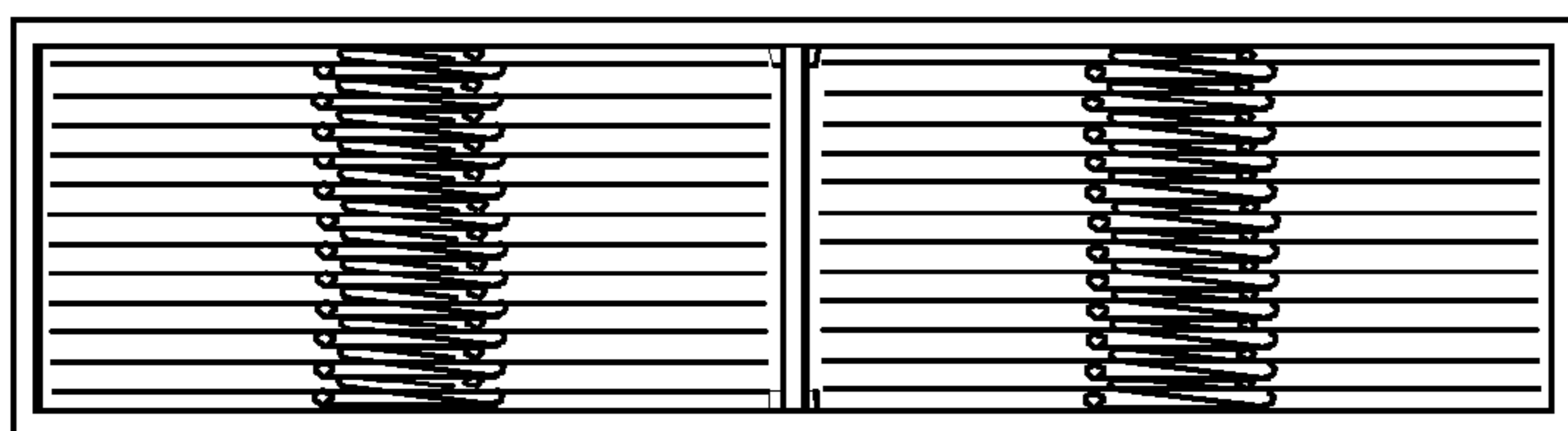


FIG. 38

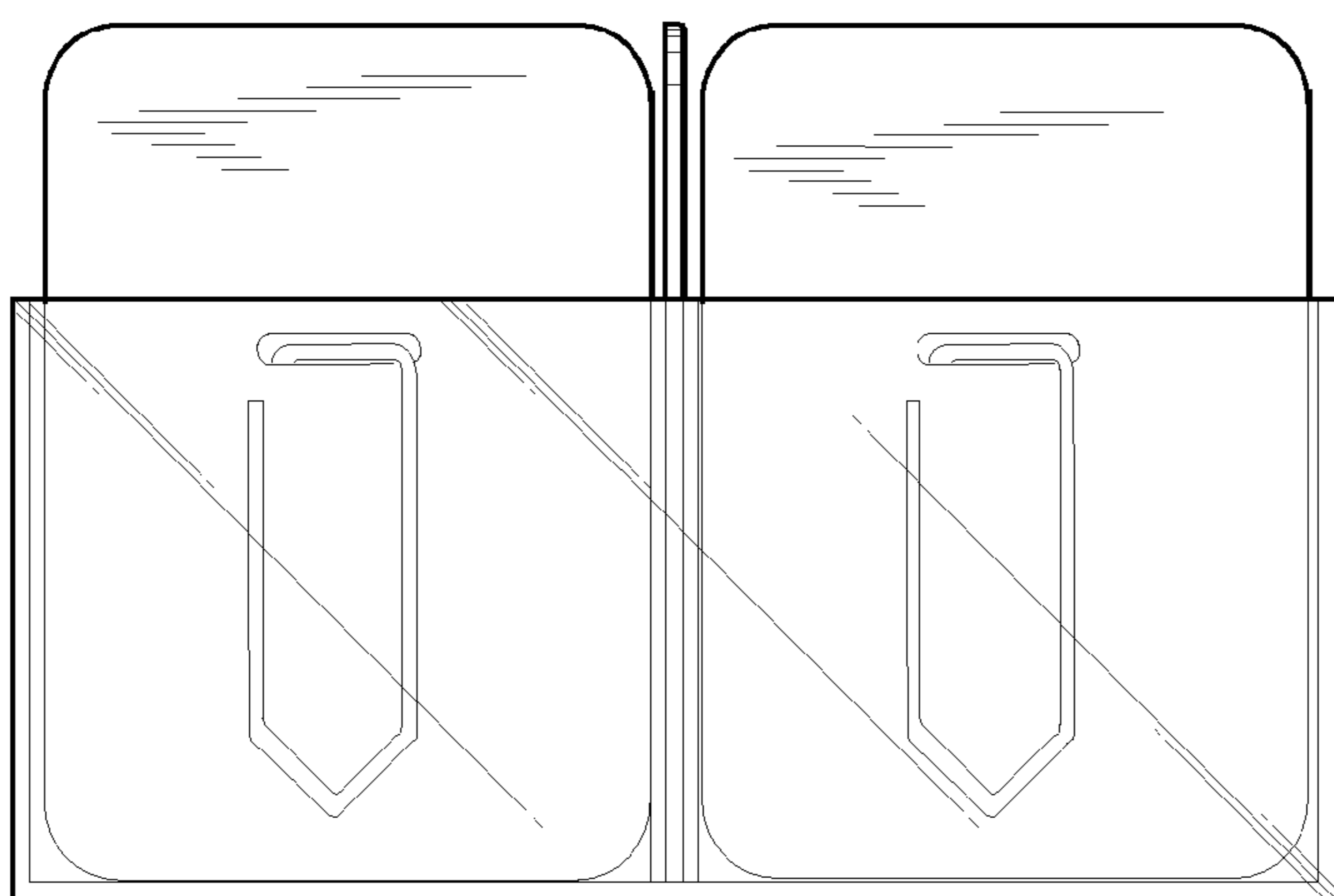


FIG. 39

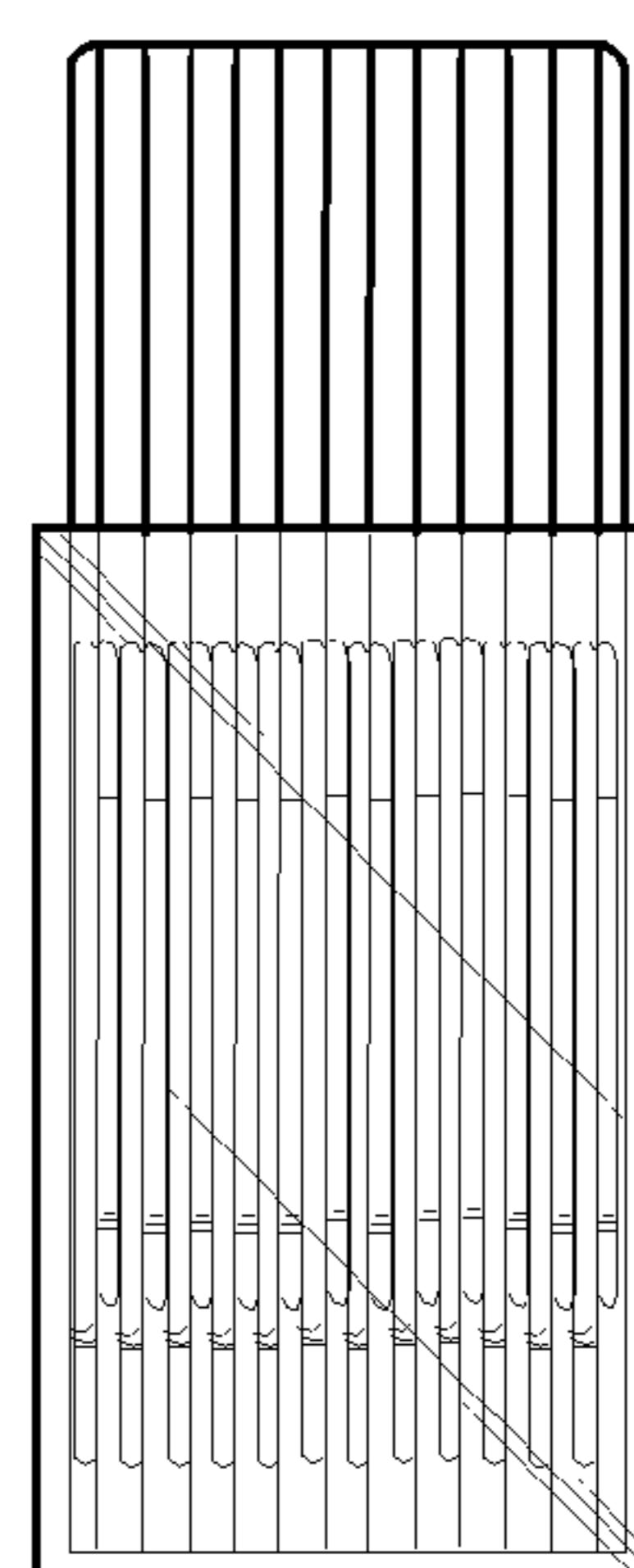


FIG. 40

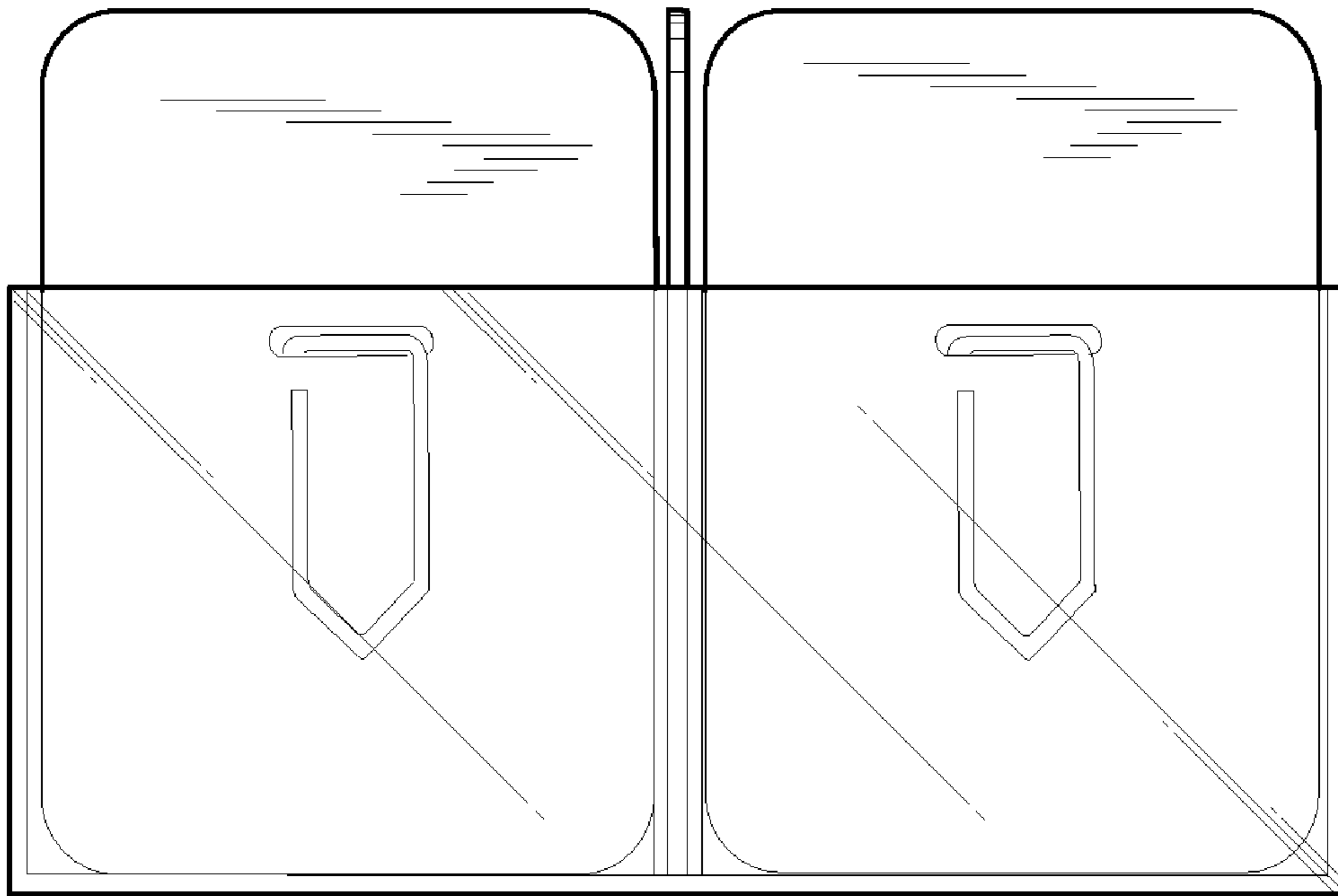


FIG. 41

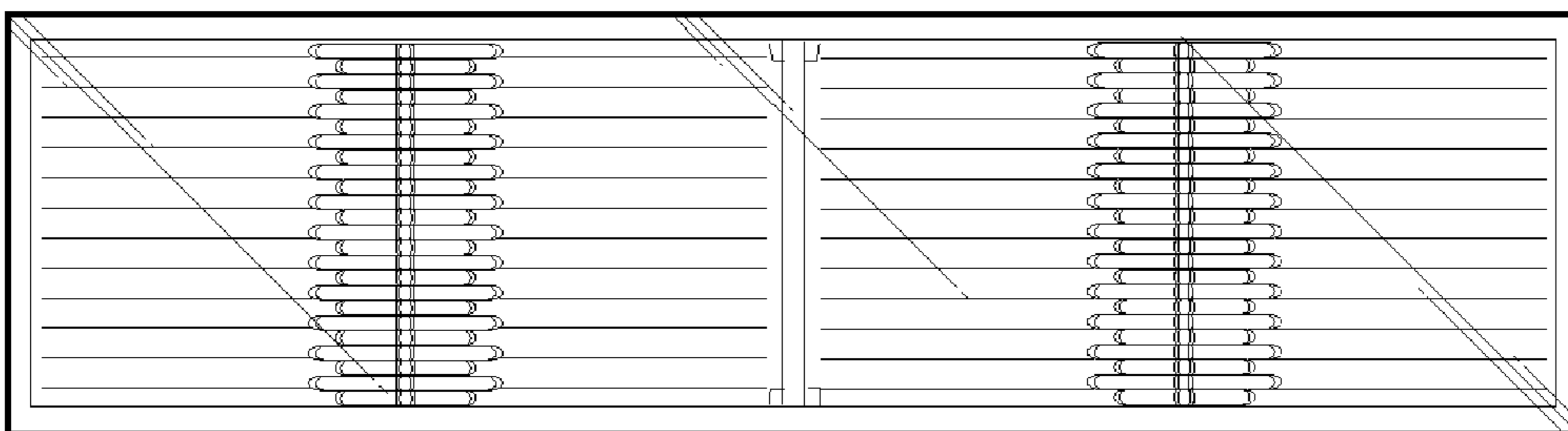


FIG. 42

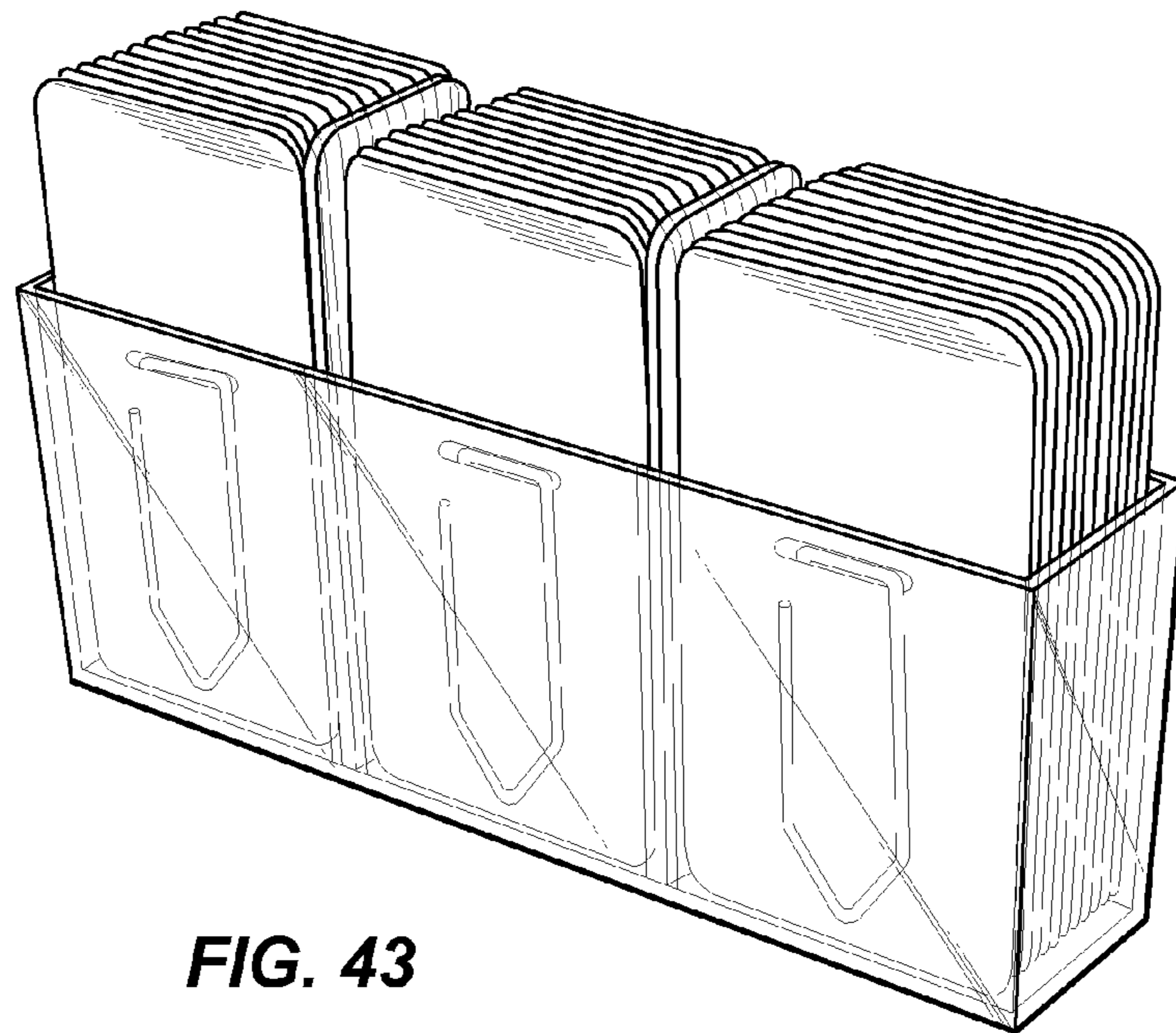


FIG. 43



FIG. 44

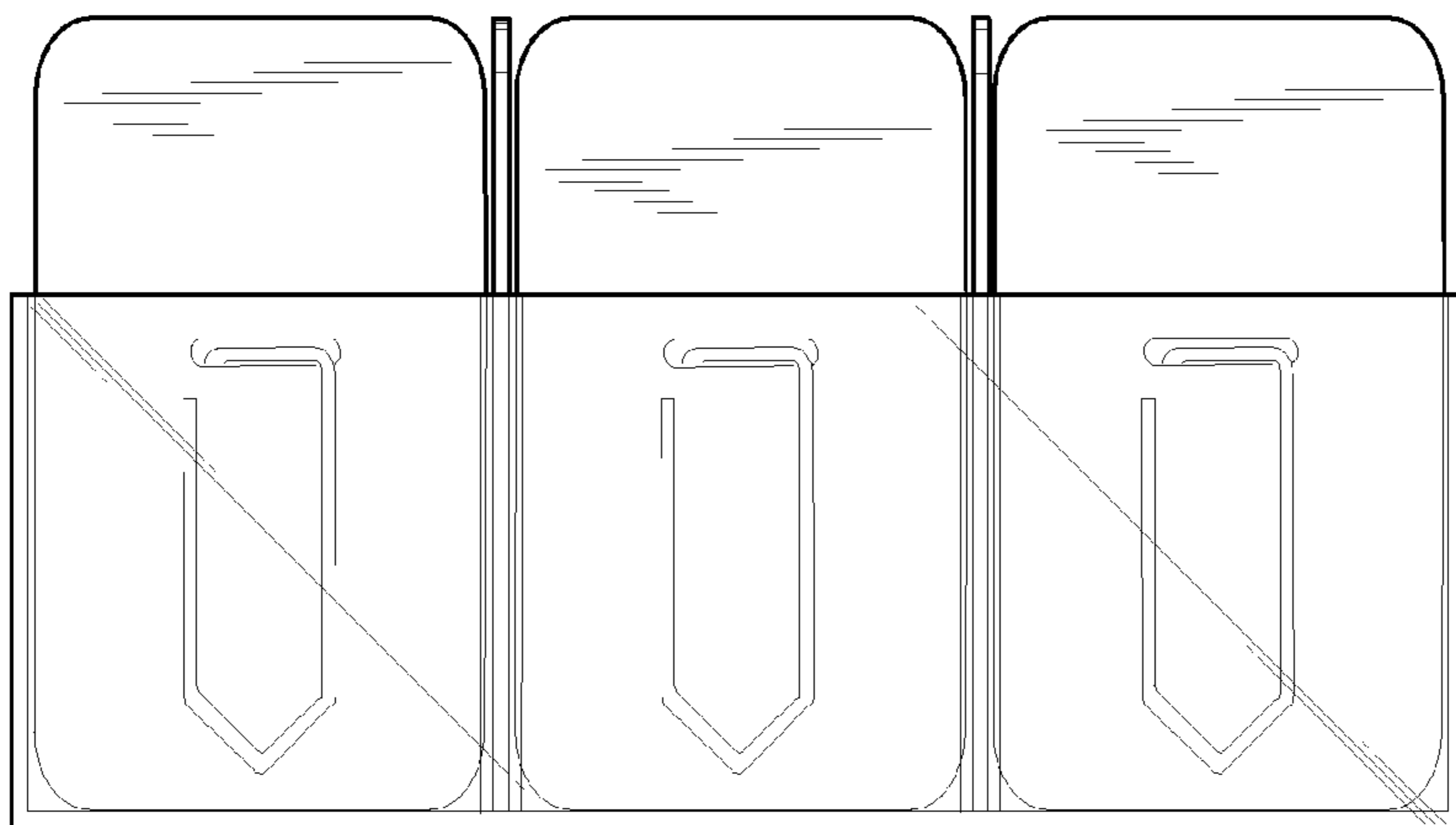


FIG. 45

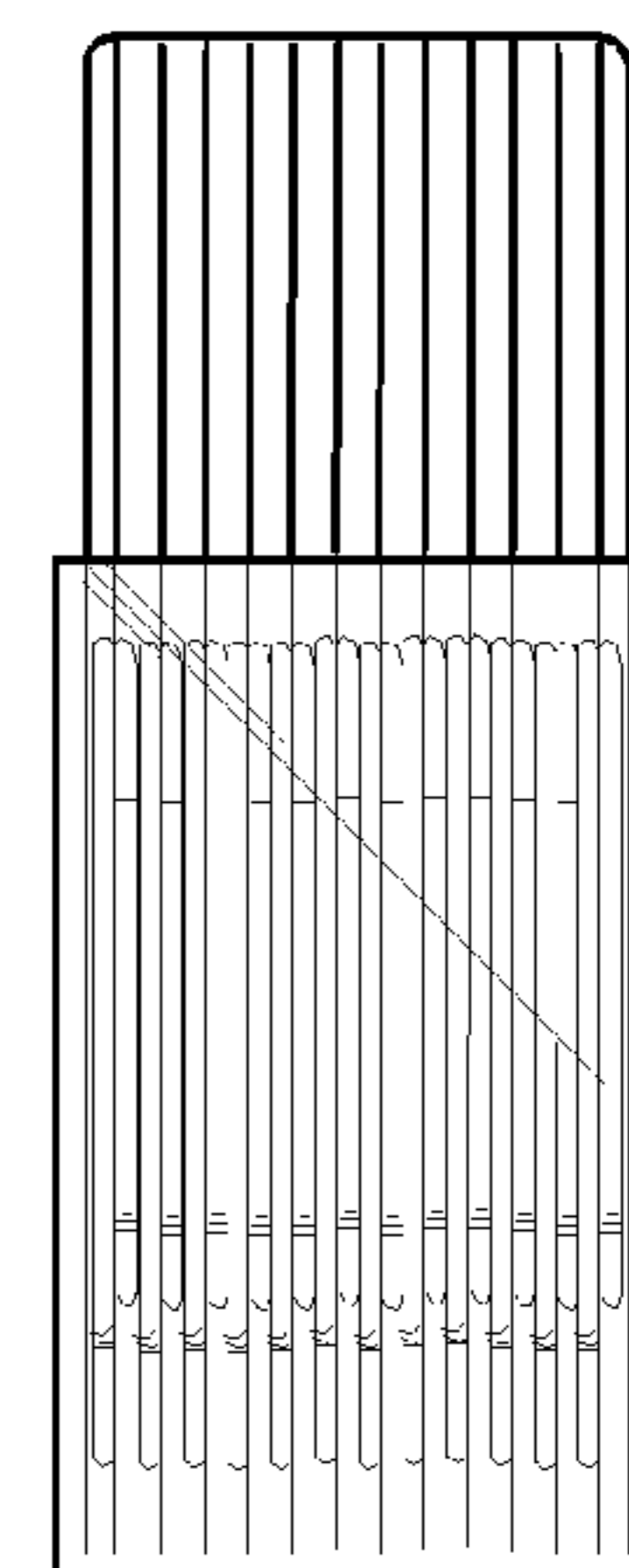


FIG. 46

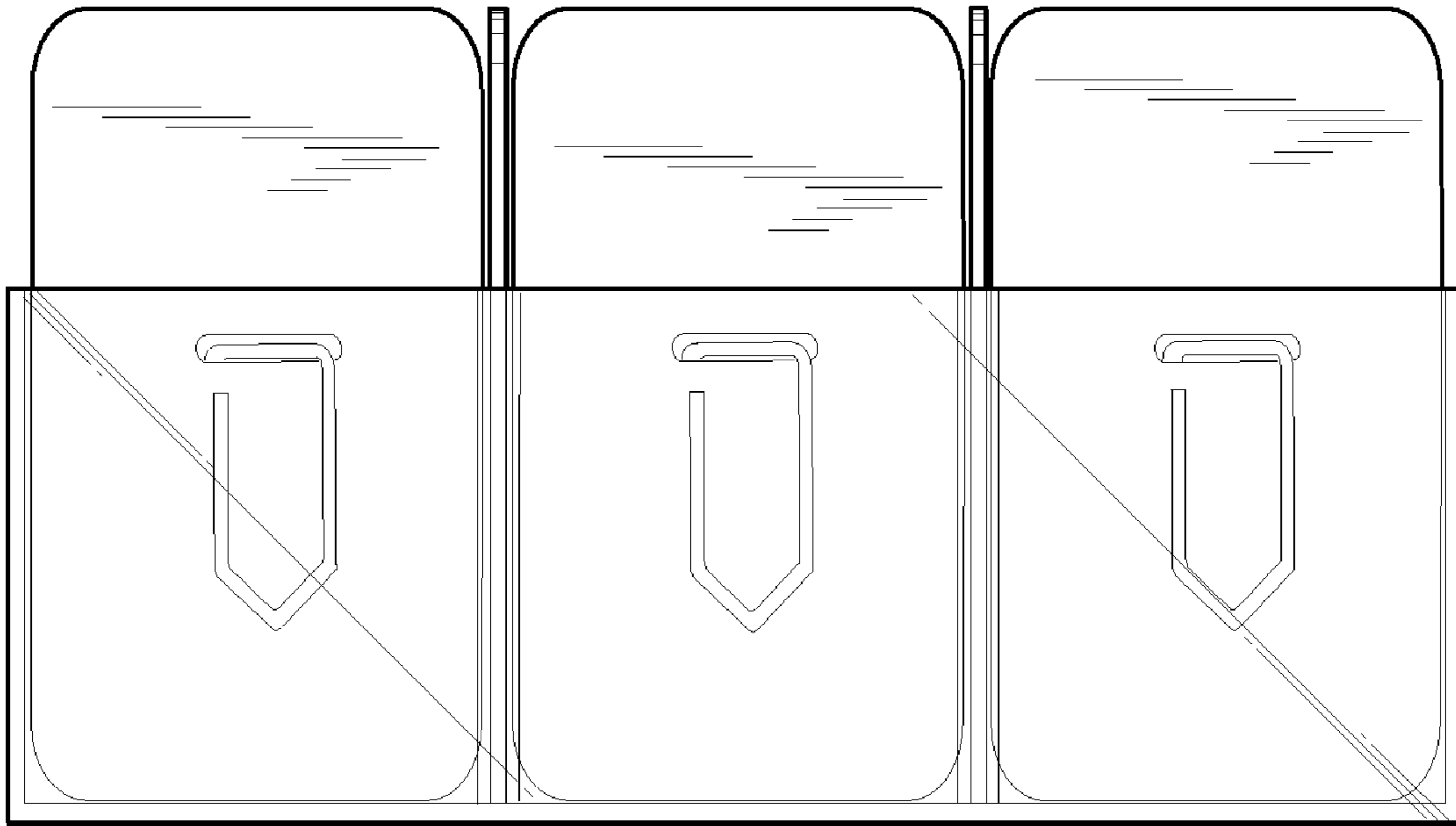


FIG. 47

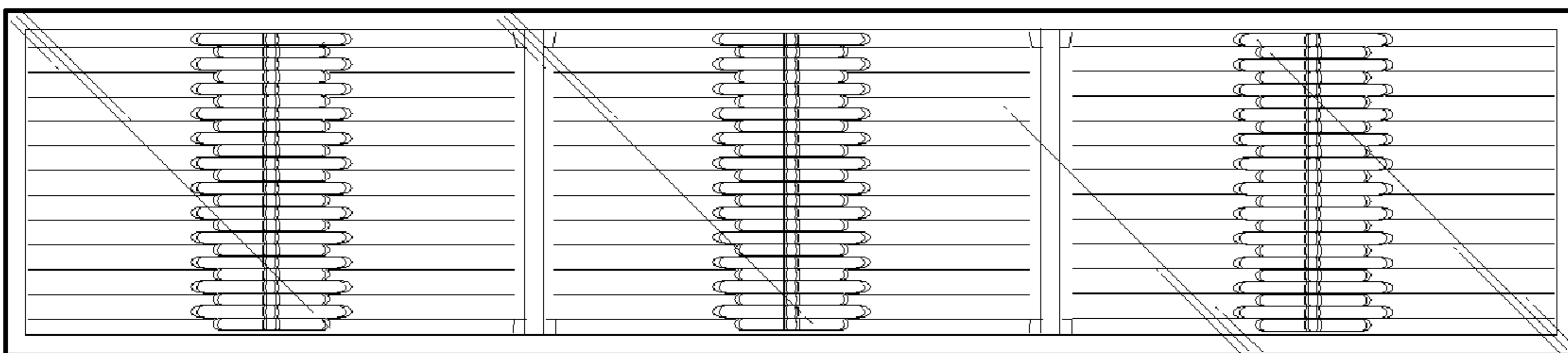


FIG. 48

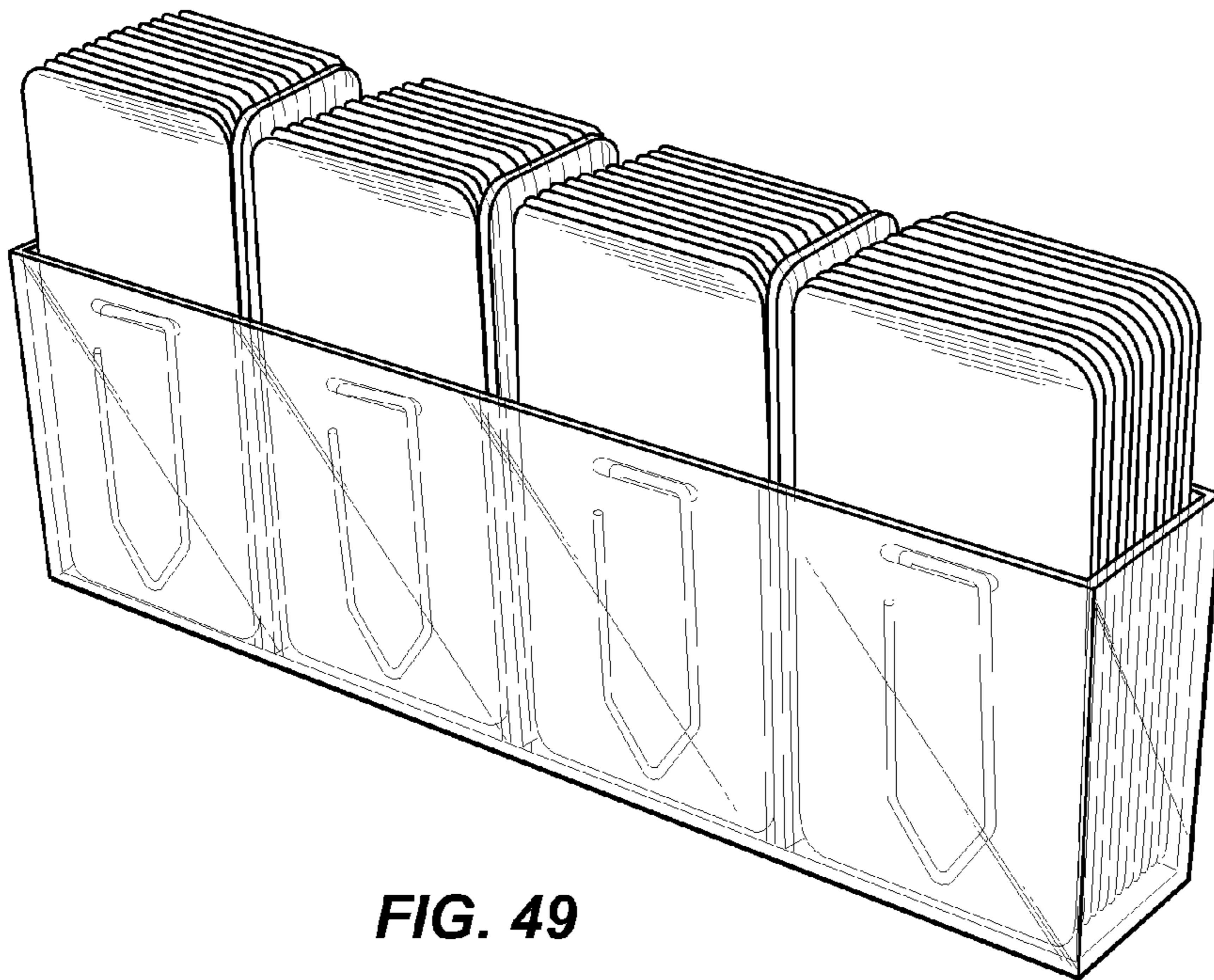


FIG. 49

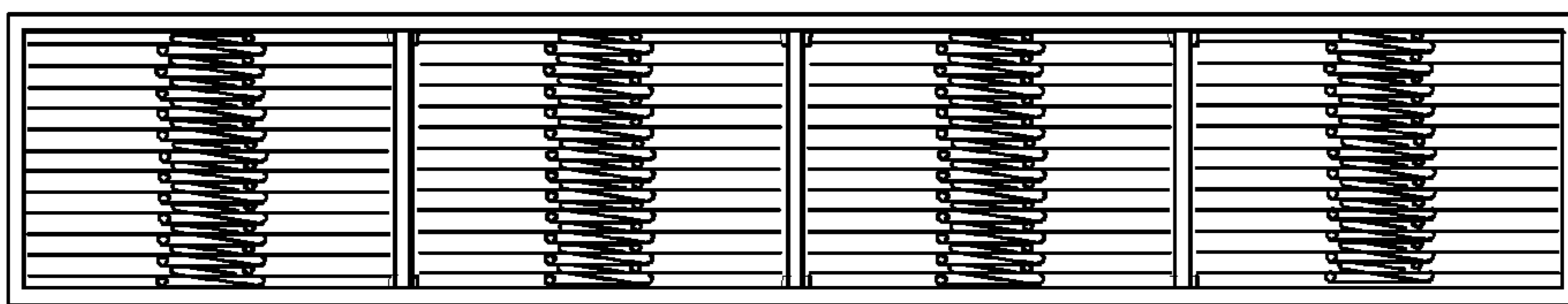


FIG. 50

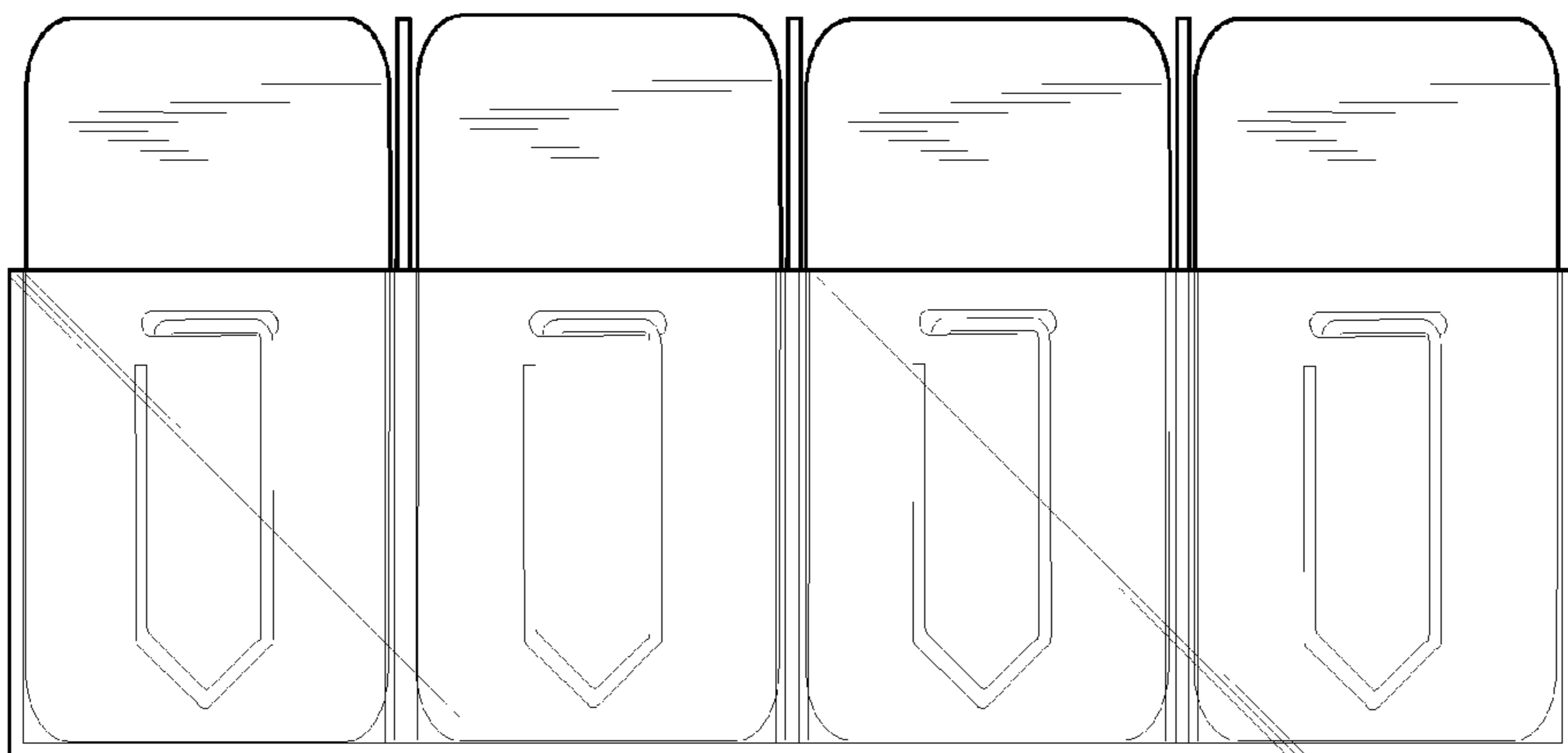


FIG. 51

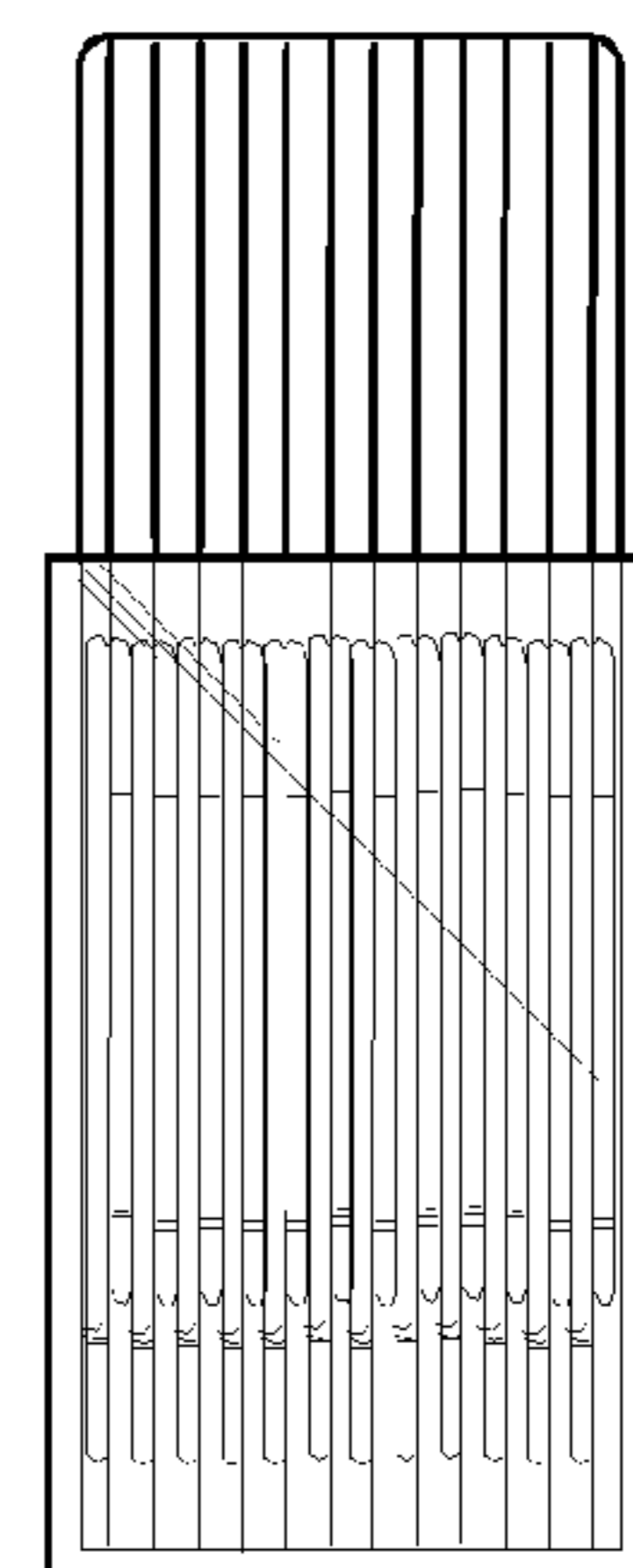


FIG. 52

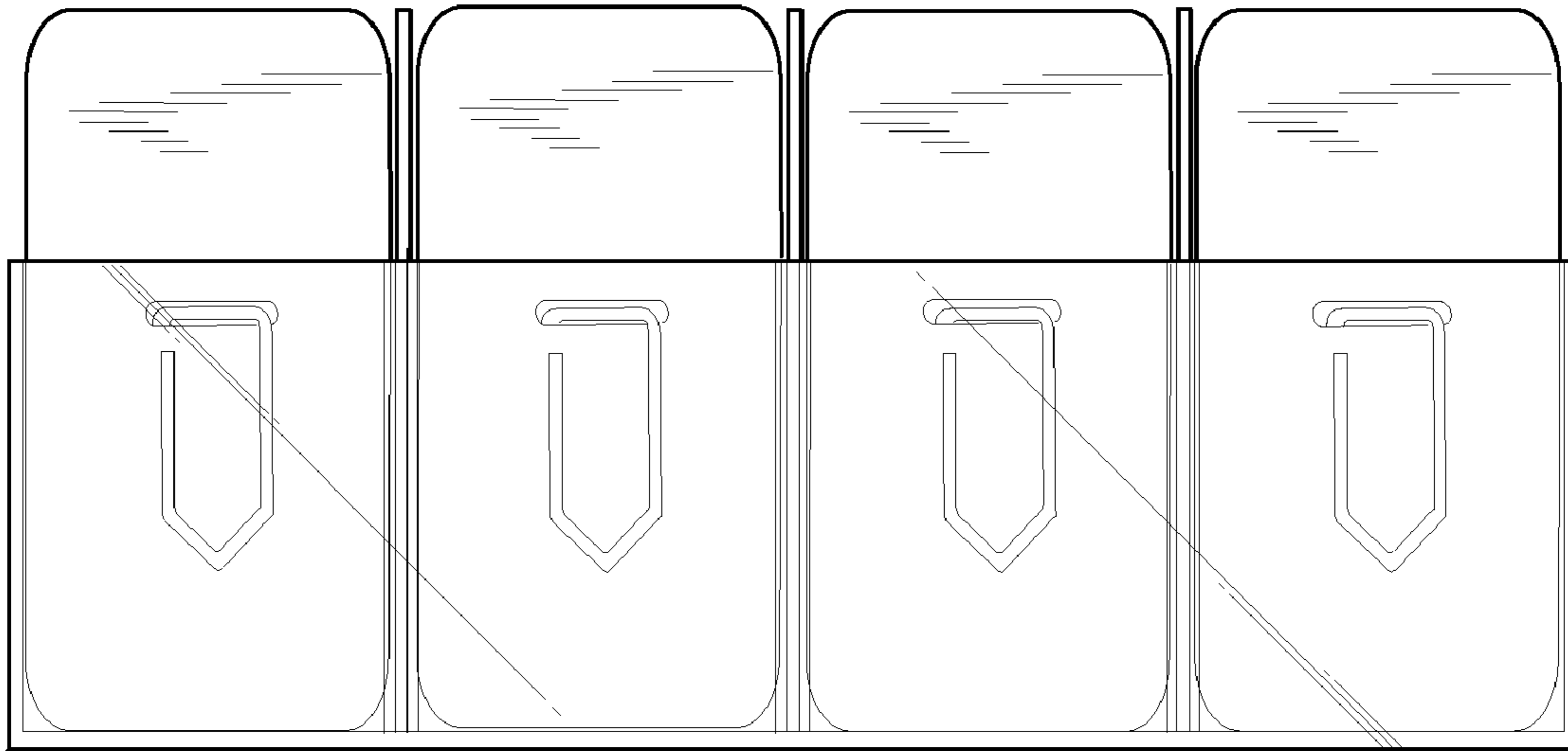


FIG. 53

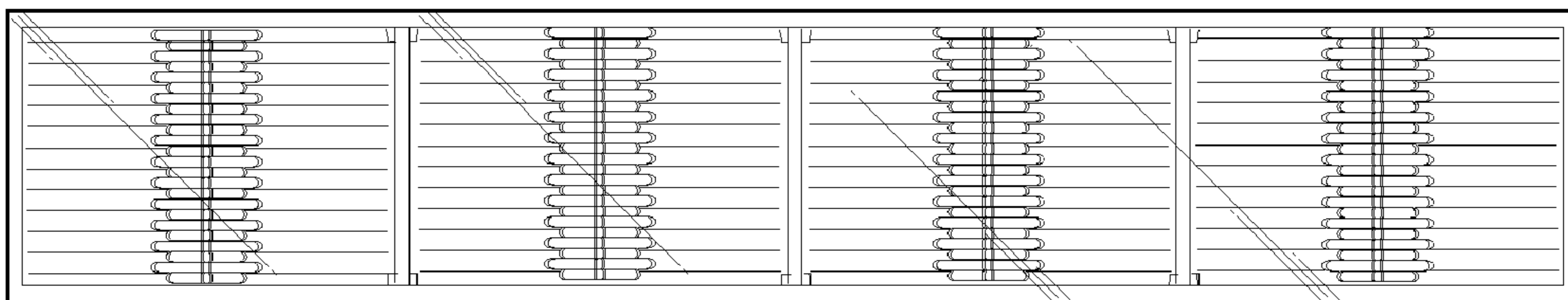


FIG. 54

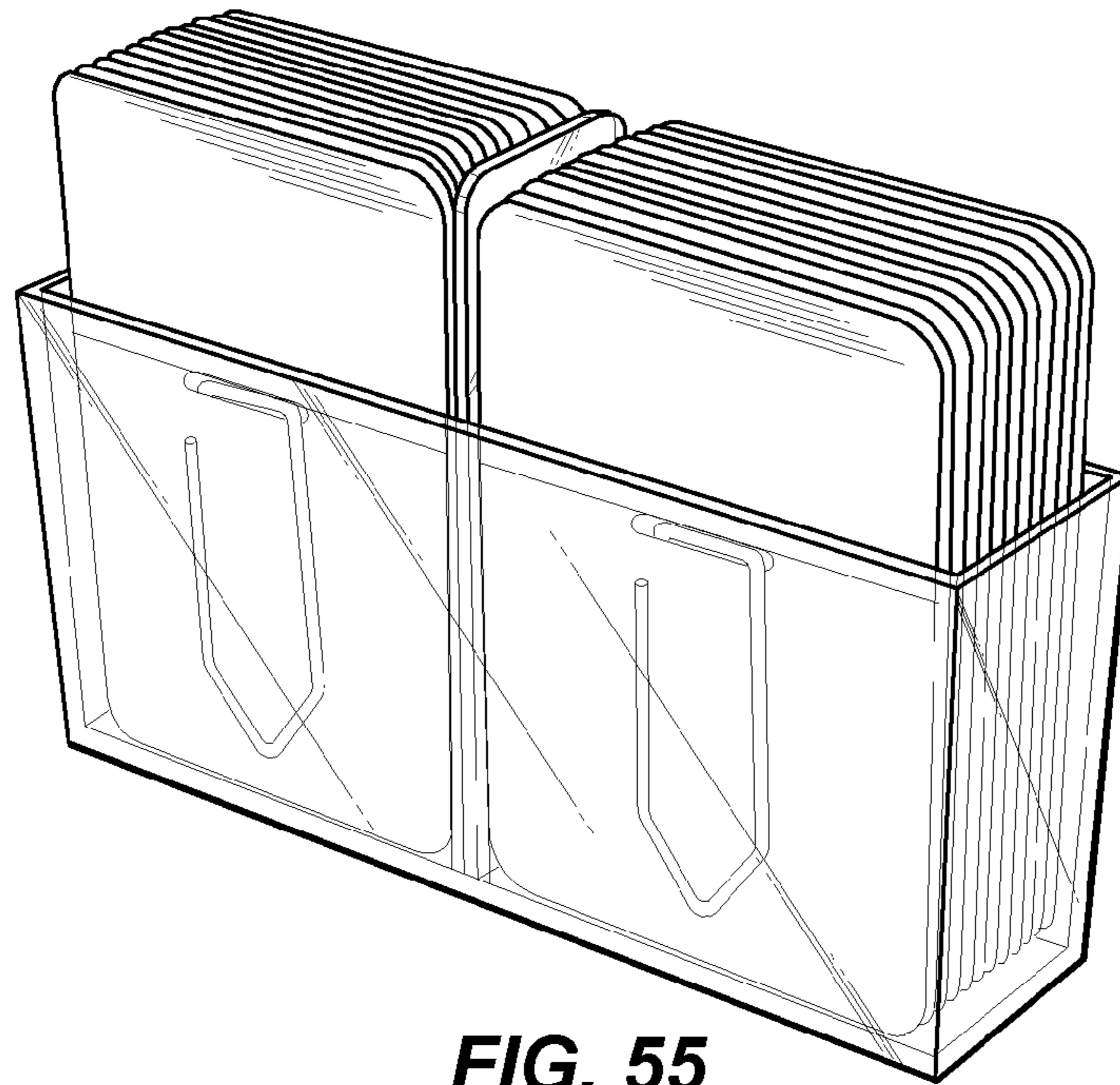


FIG. 55

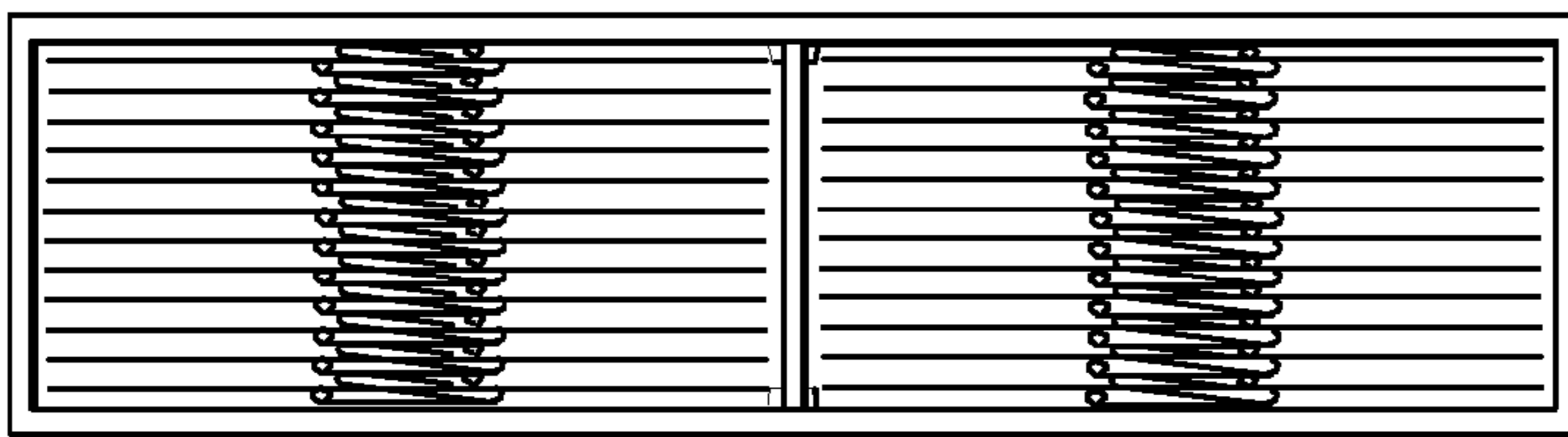


FIG. 56

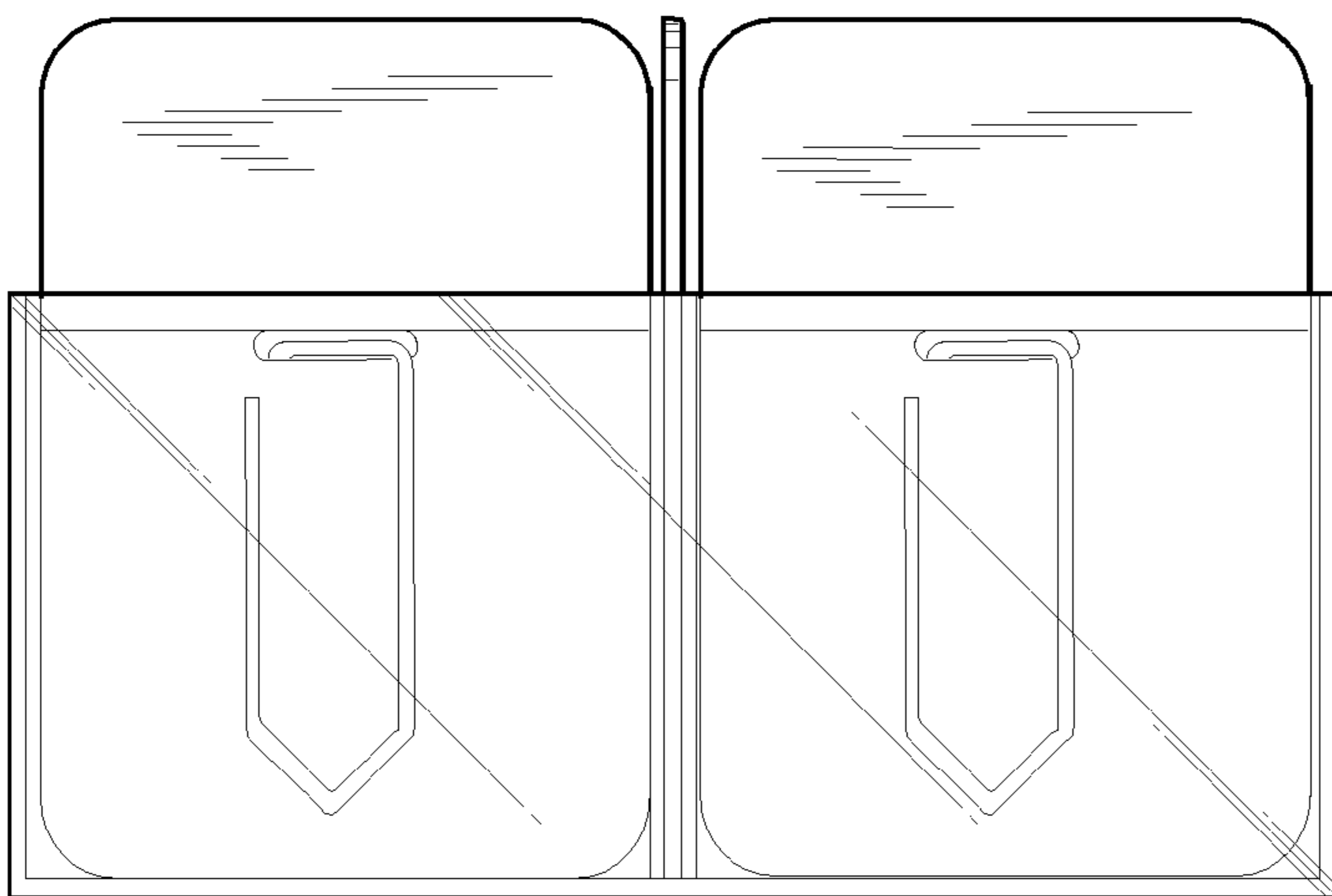


FIG. 57

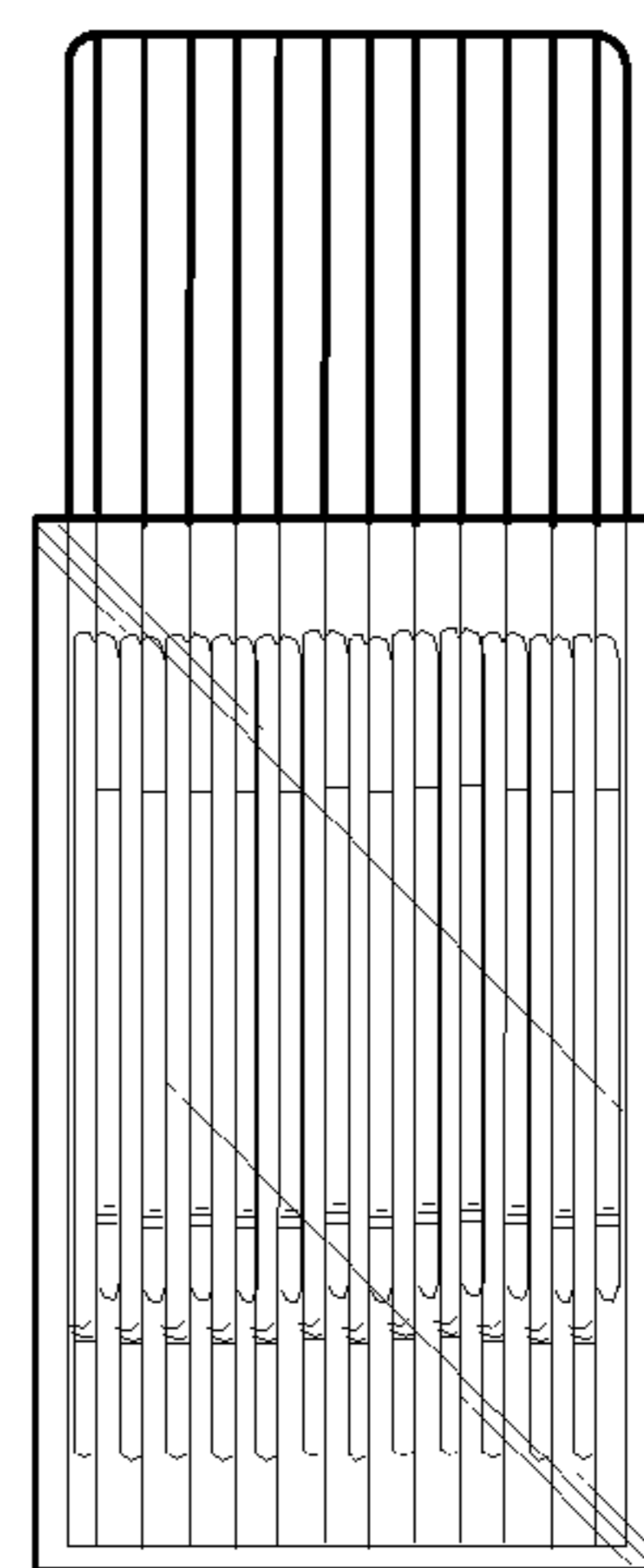


FIG. 58

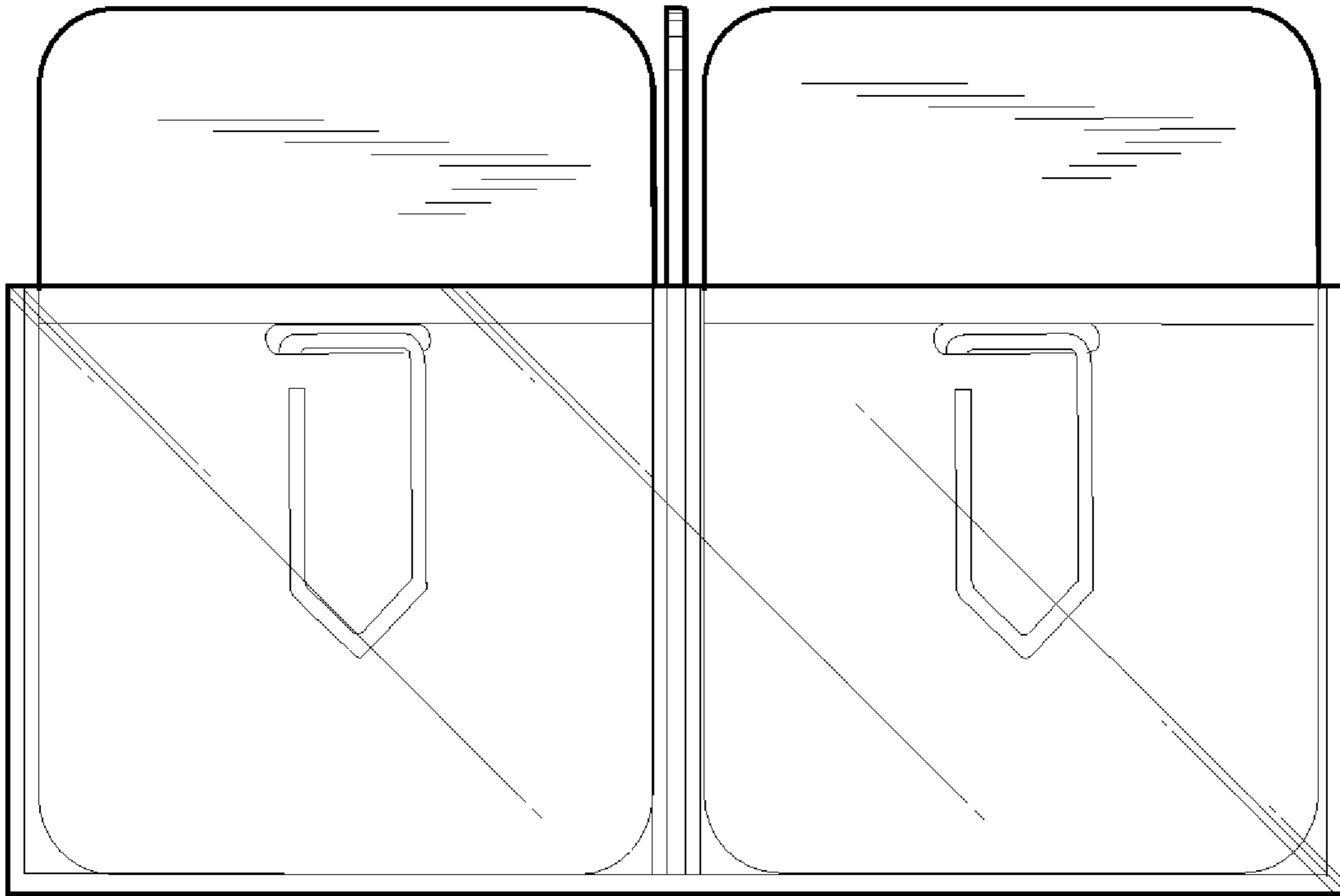


FIG. 59

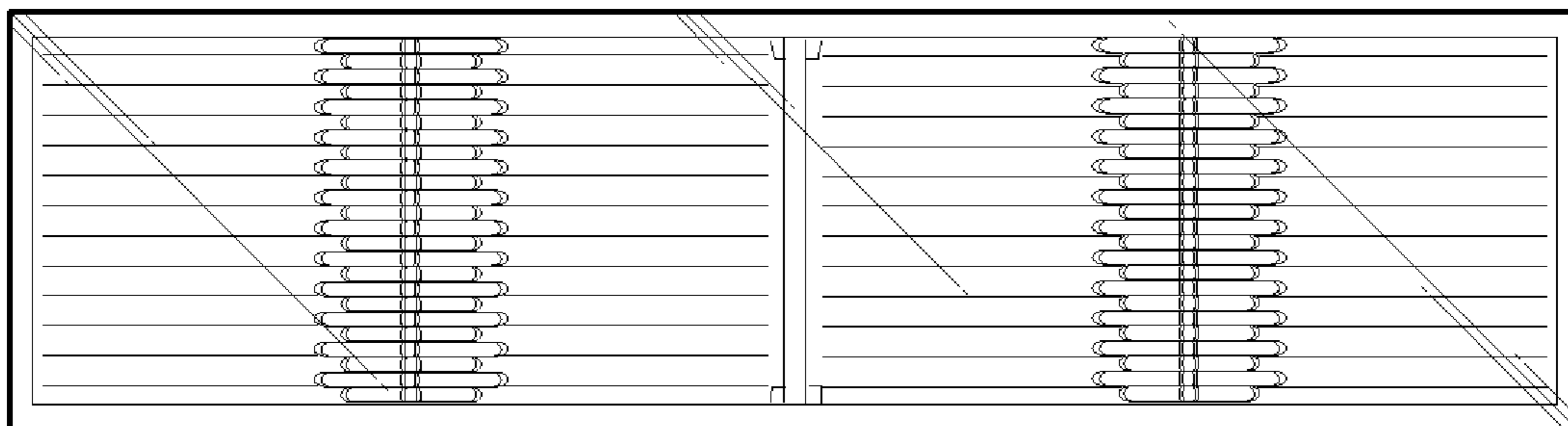


FIG. 60

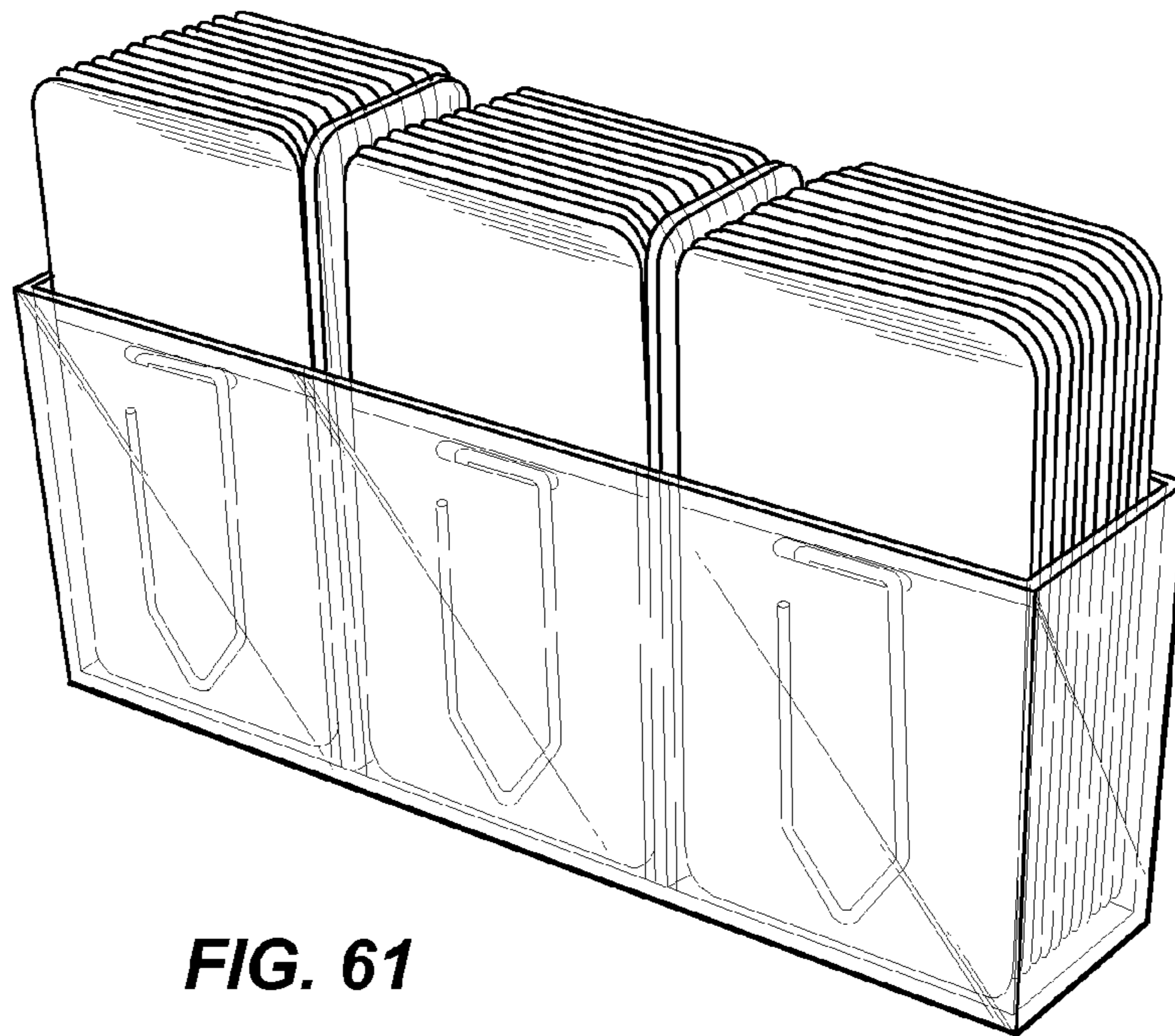


FIG. 61

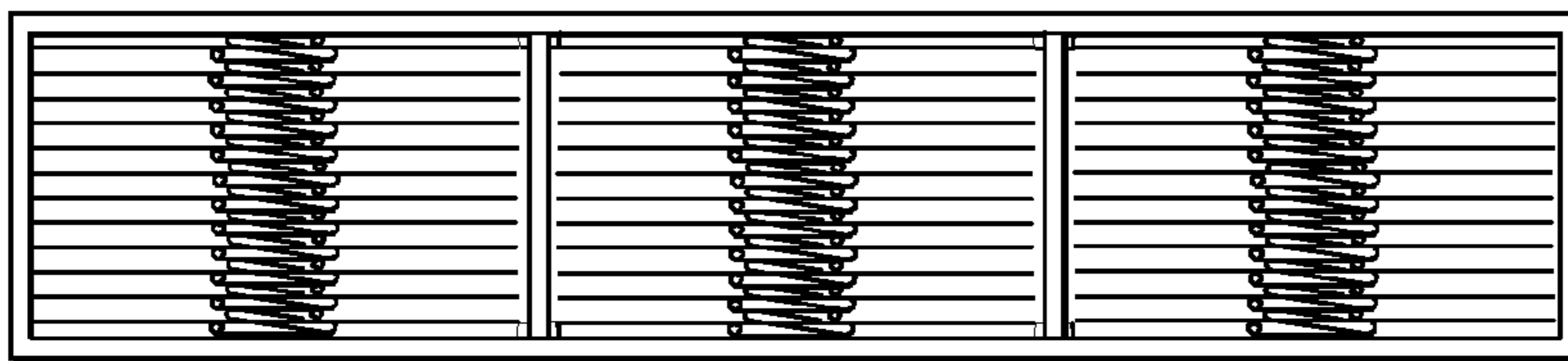


FIG. 62

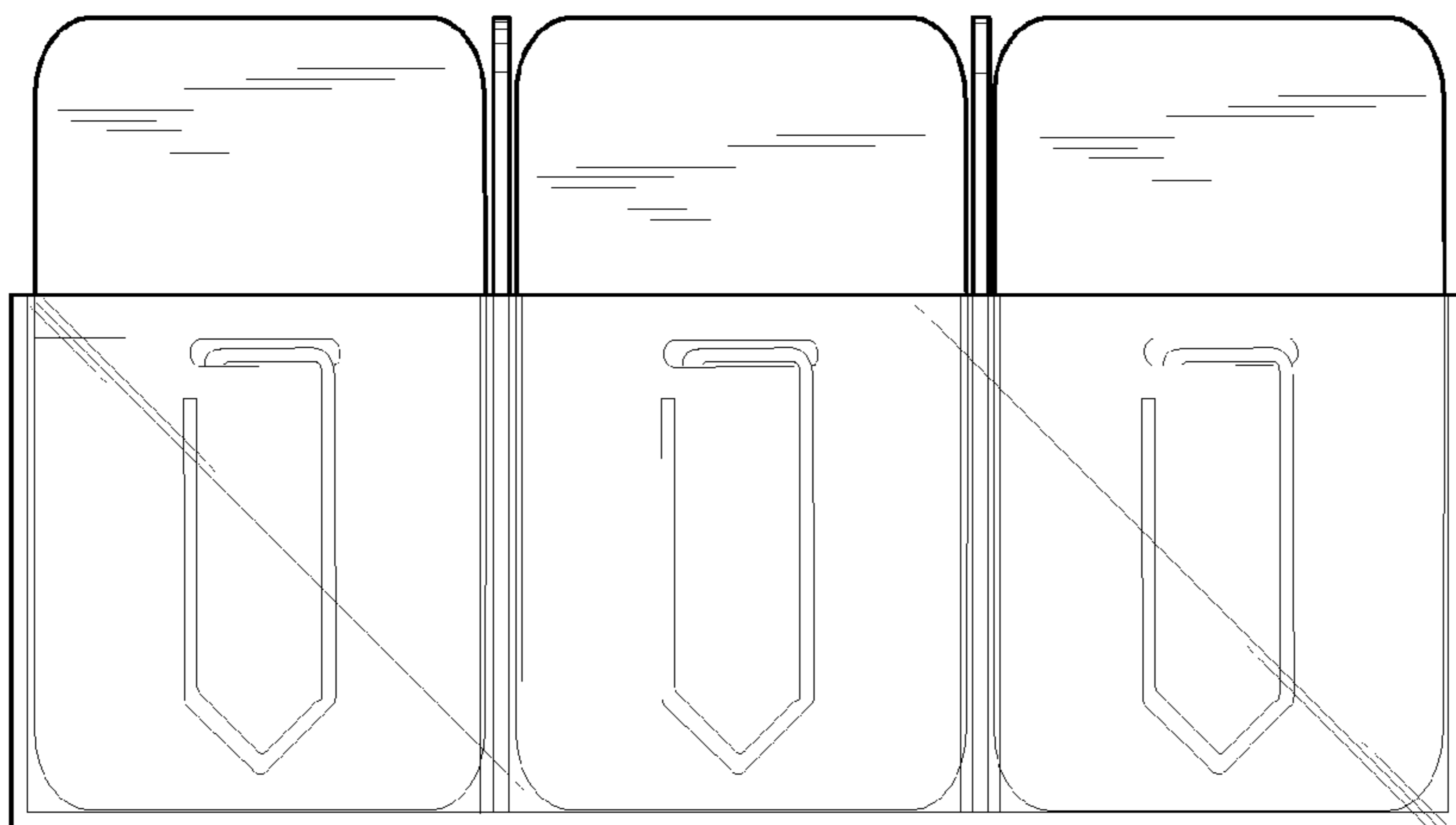


FIG. 63

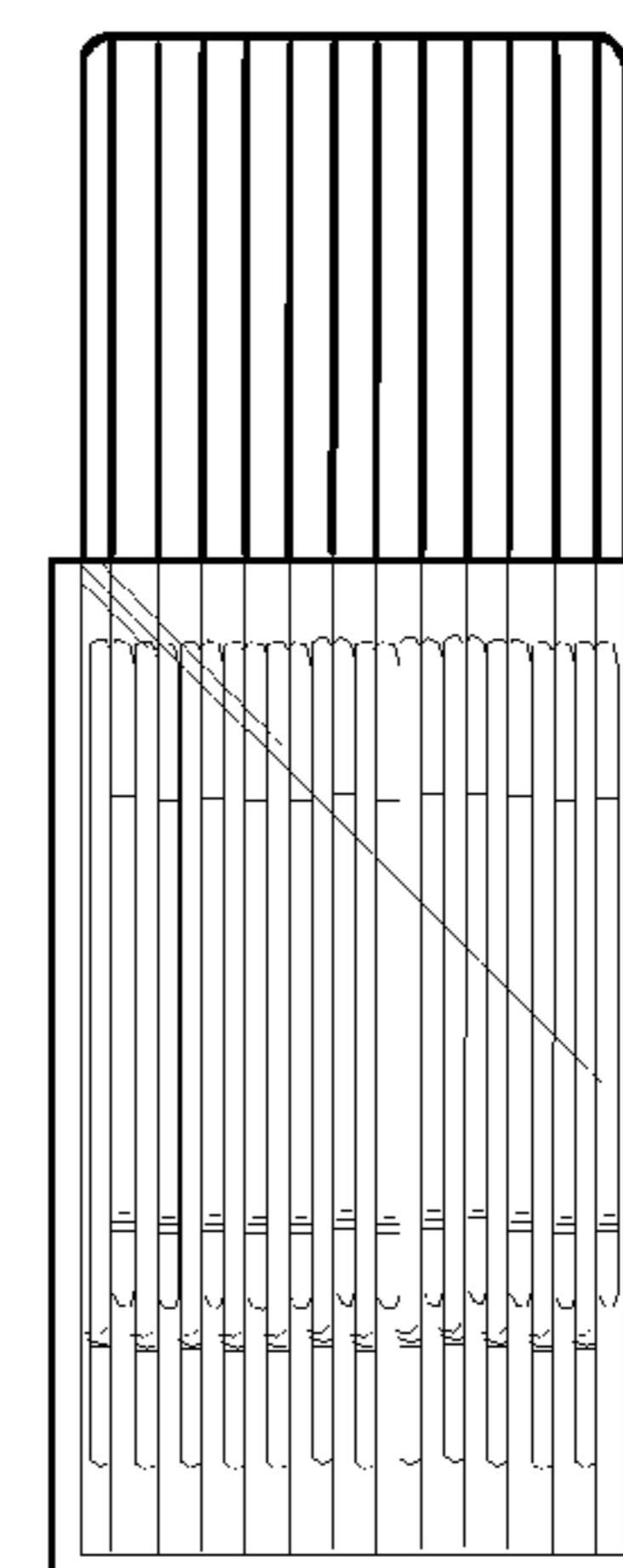


FIG. 64

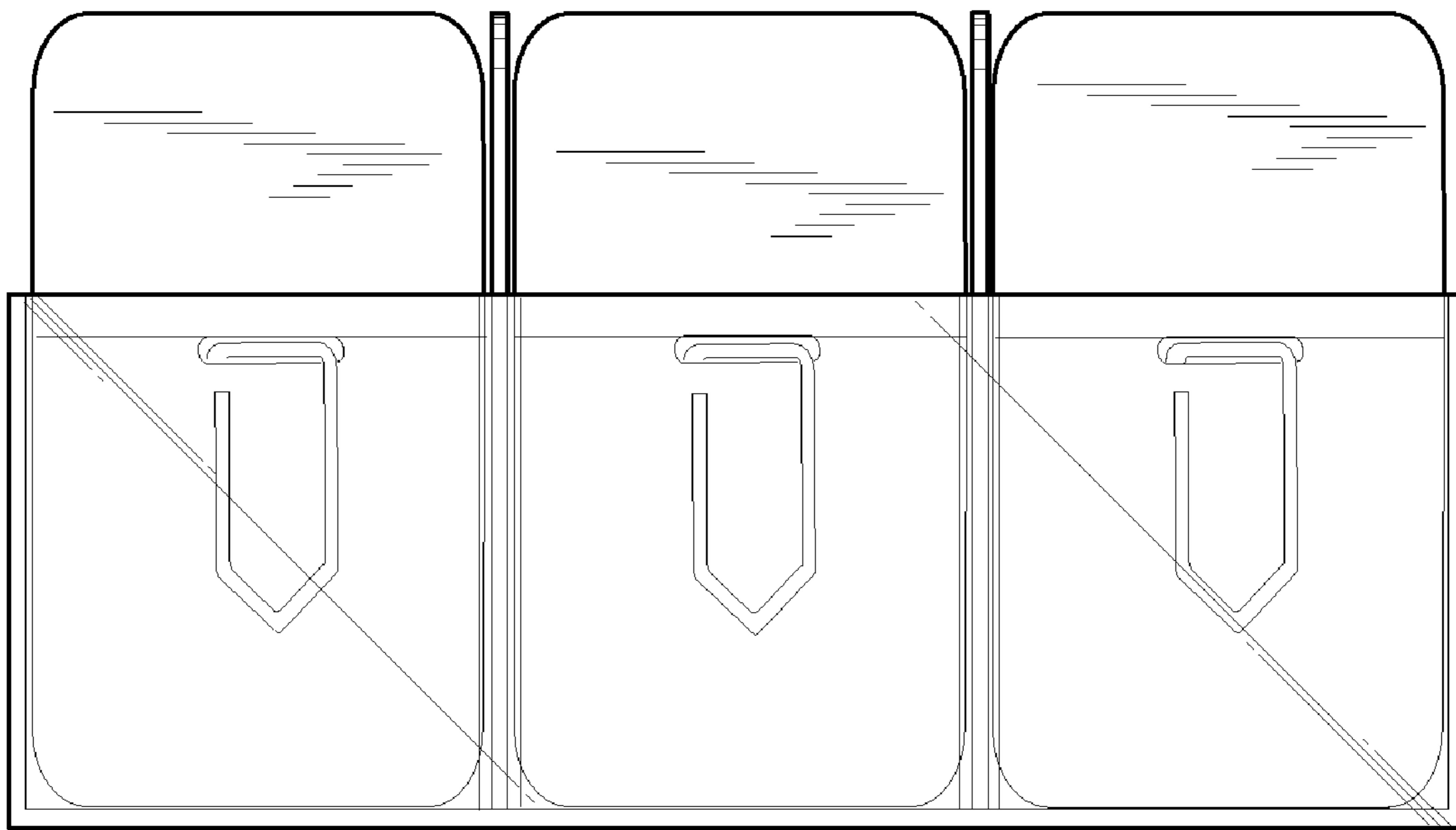


FIG. 65

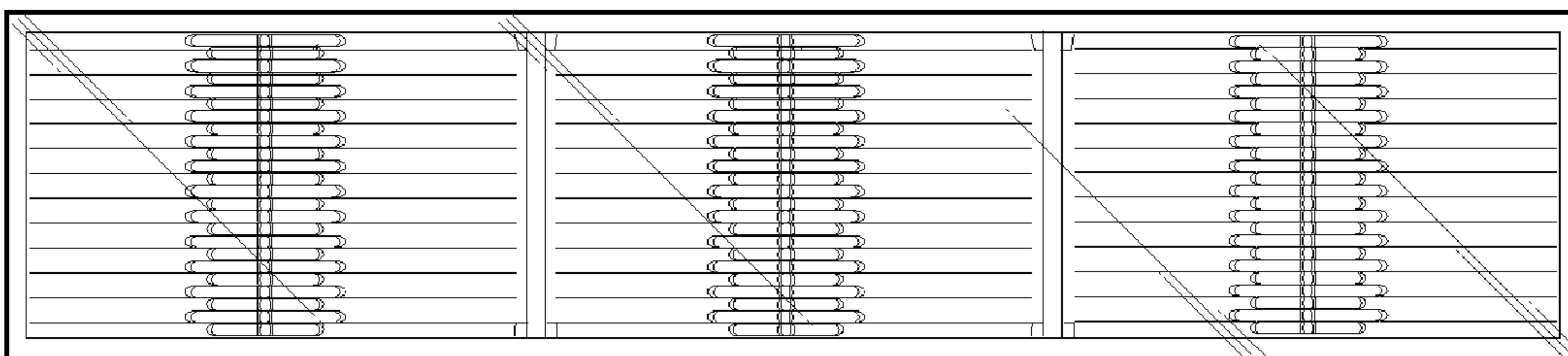


FIG. 66

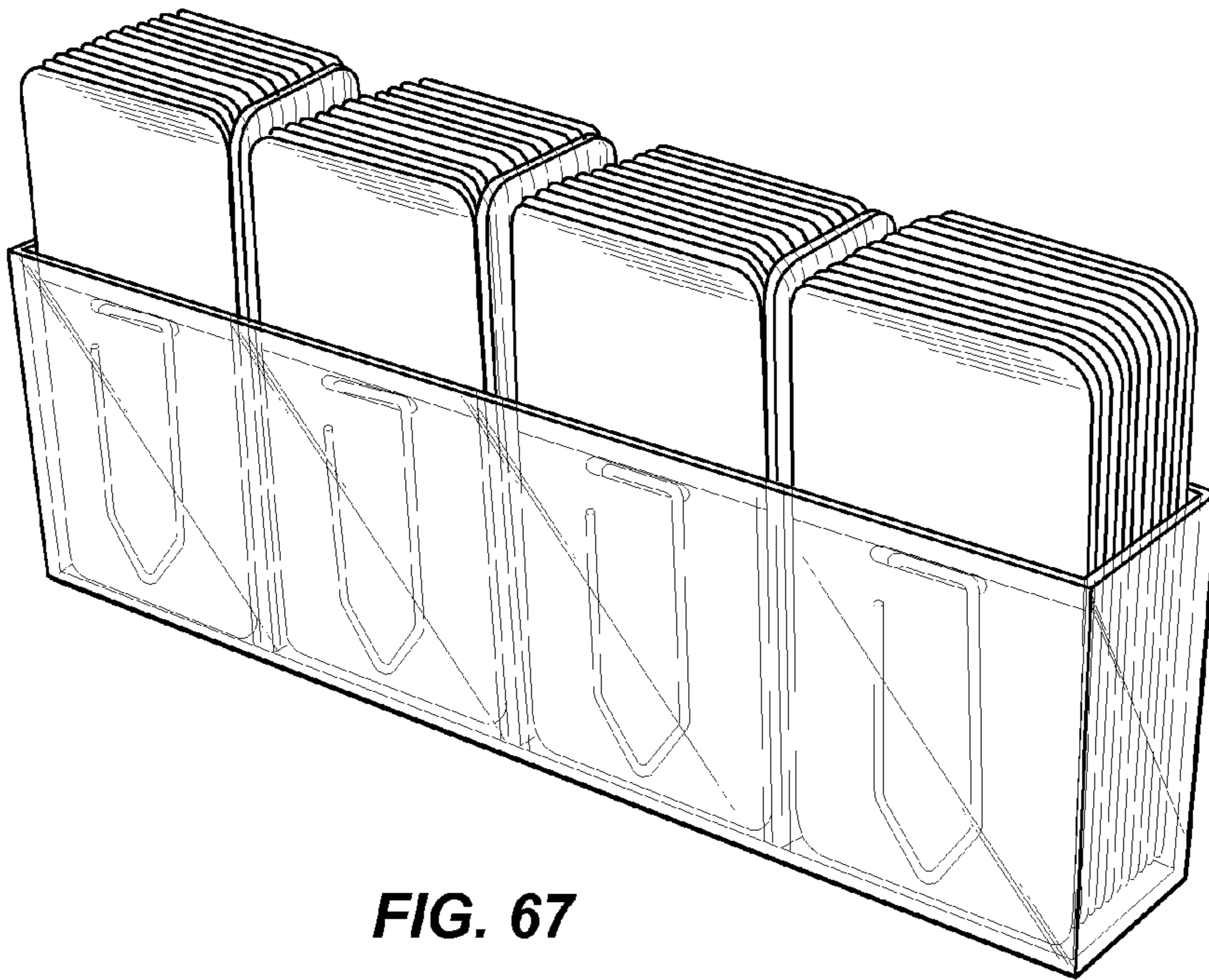


FIG. 67

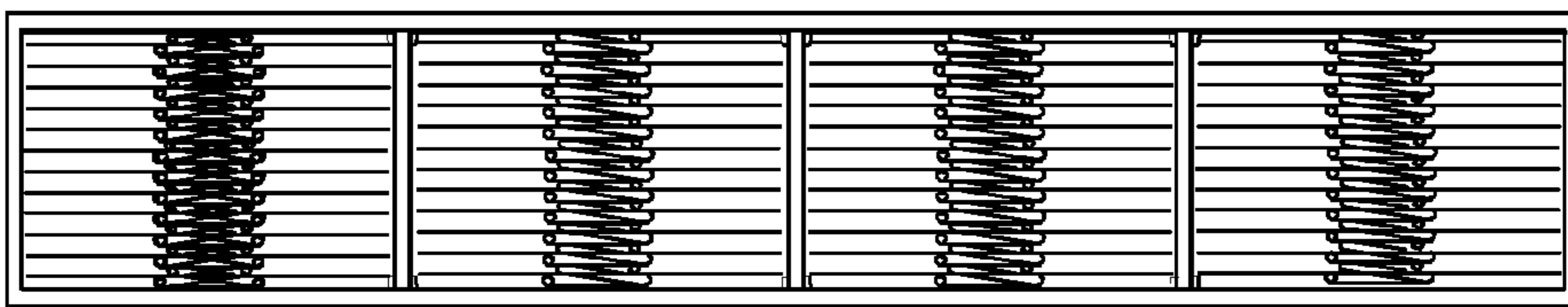


FIG. 68

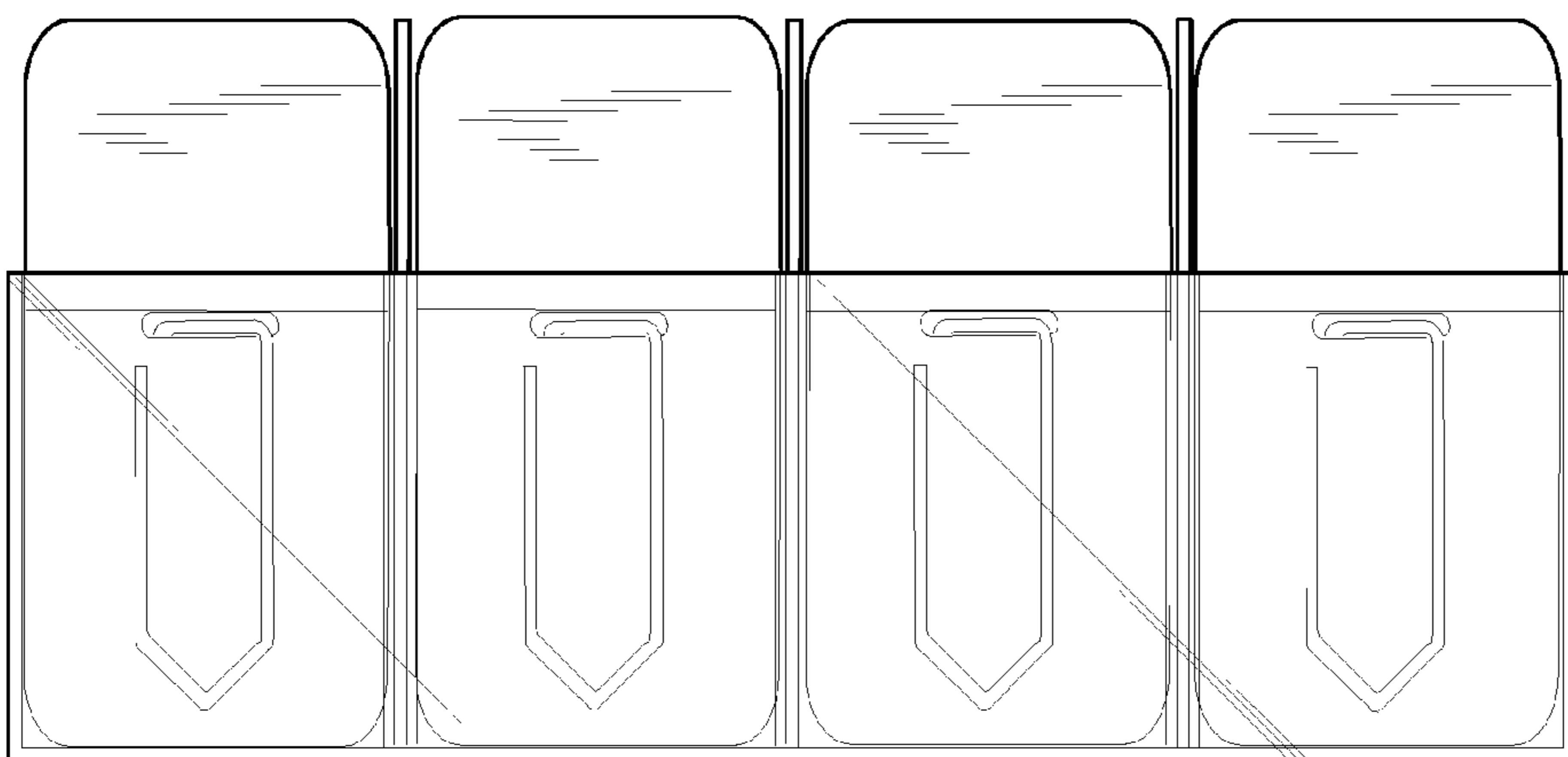


FIG. 69

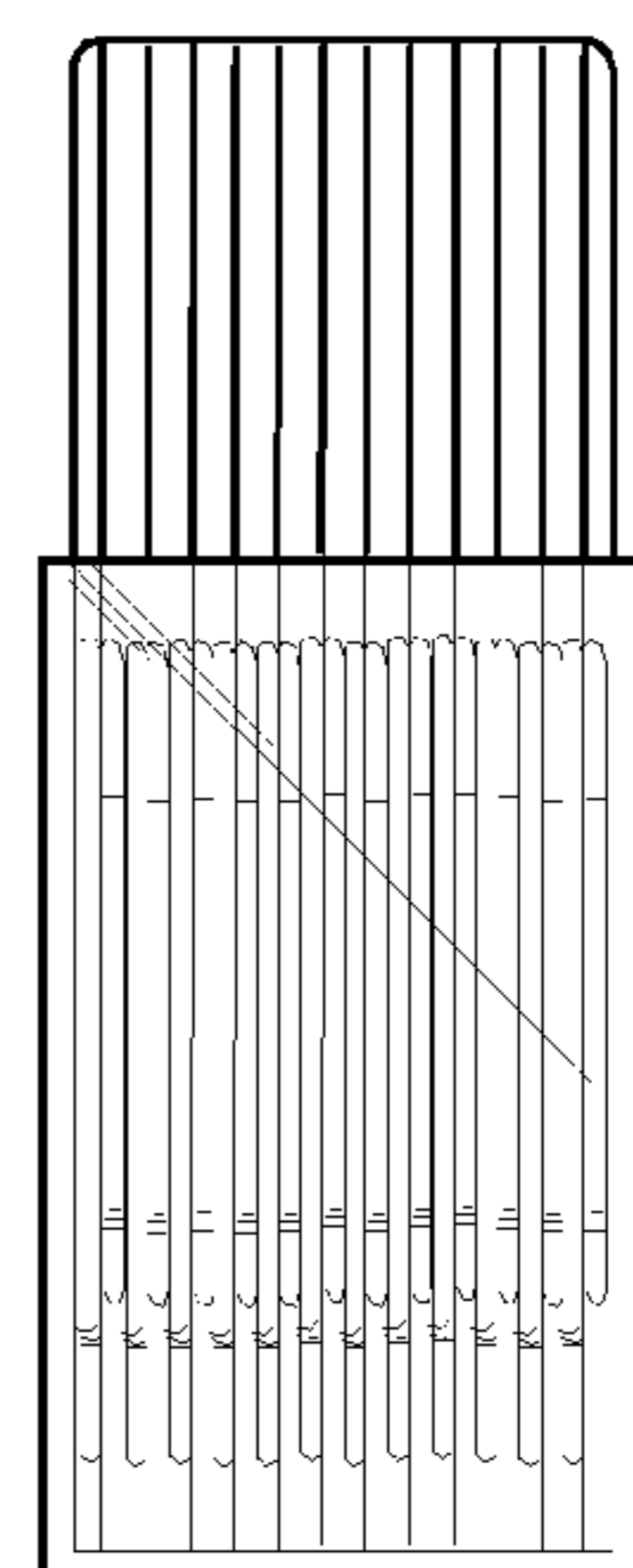


FIG. 70

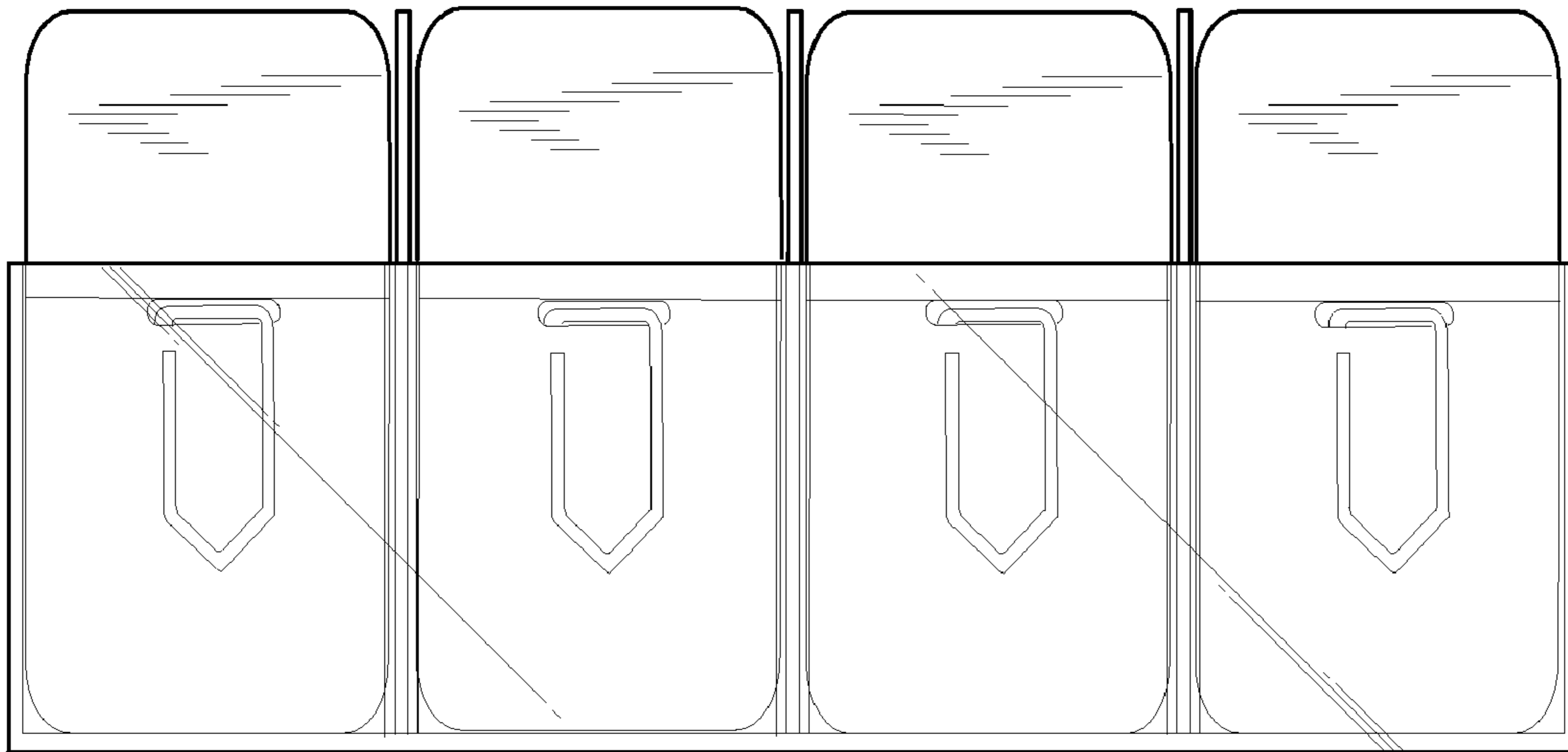


FIG. 71

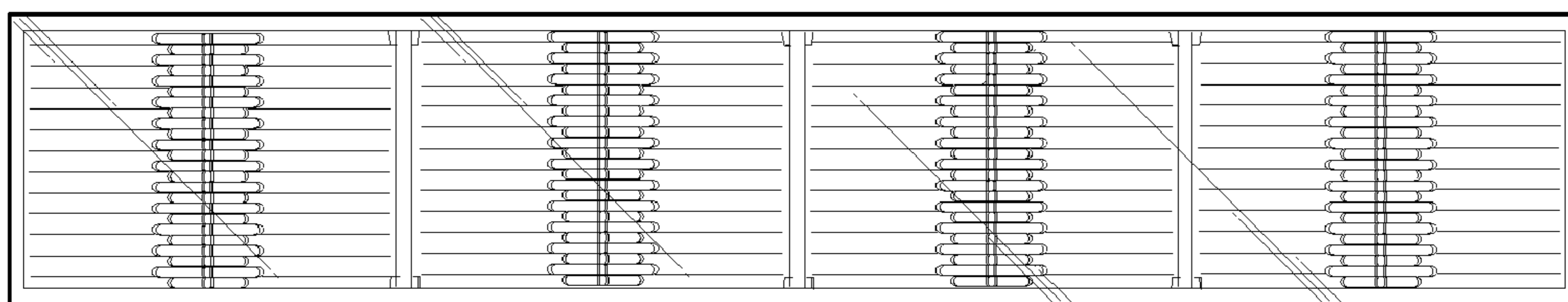


FIG. 72