



US00D580972S

(12) **United States Design Patent**
Yuen

(10) **Patent No.:** **US D580,972 S**
(45) **Date of Patent:** **** Nov. 18, 2008**

(54) **INK CARTRIDGE**

(75) Inventor: **Kenneth Yuen**, San Gabriel, CA (US)

(73) Assignee: **Master Ink Co., Ltd.**, Kowloon Bay (HK)

(**) Term: **14 Years**

(21) Appl. No.: **29/275,947**

(22) Filed: **Jan. 10, 2007**

(51) **LOC (8) Cl.** **18-02**

(52) **U.S. Cl.** **D18/56**

(58) **Field of Classification Search** D18/40,
D18/43, 56; 347/86-87

See application file for complete search history.

D422,306 S	4/2000	Gasvoda et al.
D425,553 S	5/2000	Gasvoda et al.
6,065,824 A	5/2000	Bullock et al.
6,068,371 A	5/2000	Wallace et al.
6,089,687 A	7/2000	Helterline
6,132,036 A	10/2000	Abe et al.
6,168,262 B1	1/2001	Clark et al.
6,170,937 B1	1/2001	Childers et al.
6,183,077 B1	2/2001	Hmelar et al.
D438,897 S	3/2001	Hatasa et al.
6,203,147 B1	3/2001	Batthey et al.
6,220,701 B1	4/2001	Umemura
6,227,638 B1	5/2001	Childers et al.
6,243,116 B1	6/2001	Kotaki et al.
6,264,301 B1	7/2001	Helterline et al.
6,264,314 B1	7/2001	Mochizuki et al.
6,270,209 B1	8/2001	Shimomura
6,271,928 B1	8/2001	Bullock et al.
6,286,949 B1	9/2001	Lewis et al.

(56) **References Cited**

U.S. PATENT DOCUMENTS

D338,489 S	8/1993	Ujita et al.	
D341,619 S	11/1993	Ujita et al.	
D351,190 S *	10/1994	Oshima et al. D18/56
5,359,357 A	10/1994	Takagi et al.	
D355,928 S	2/1995	Tokuda et al.	
D383,488 S	9/1997	Sasaki	
5,699,091 A	12/1997	Bullock et al.	
D390,259 S	2/1998	Inoue et al.	
D391,293 S *	2/1998	Hino et al. D18/56
5,732,751 A	3/1998	Schmidt et al.	
5,734,401 A	3/1998	Clark et al.	
5,777,646 A	7/1998	Barinaga et al.	
5,784,087 A	7/1998	Wallace et al.	
D400,573 S	11/1998	Inoue et al.	
5,854,646 A	12/1998	Barinaga et al.	
5,856,840 A	1/1999	Barinaga et al.	
5,900,896 A	5/1999	Barinaga et al.	
5,917,526 A	6/1999	Wilson et al.	
5,939,357 A	8/1999	Jones et al.	
5,949,459 A	9/1999	Gasvoda et al.	
5,953,031 A	9/1999	Omata et al.	
5,956,057 A	9/1999	Childers et al.	
6,015,209 A	1/2000	Barinaga et al.	
6,039,430 A	3/2000	Helterline et al.	

(Continued)

Primary Examiner—Cathy Anne MacCormac
(74) *Attorney, Agent, or Firm*—Merchant & Gould P.C.

(57) **CLAIM**

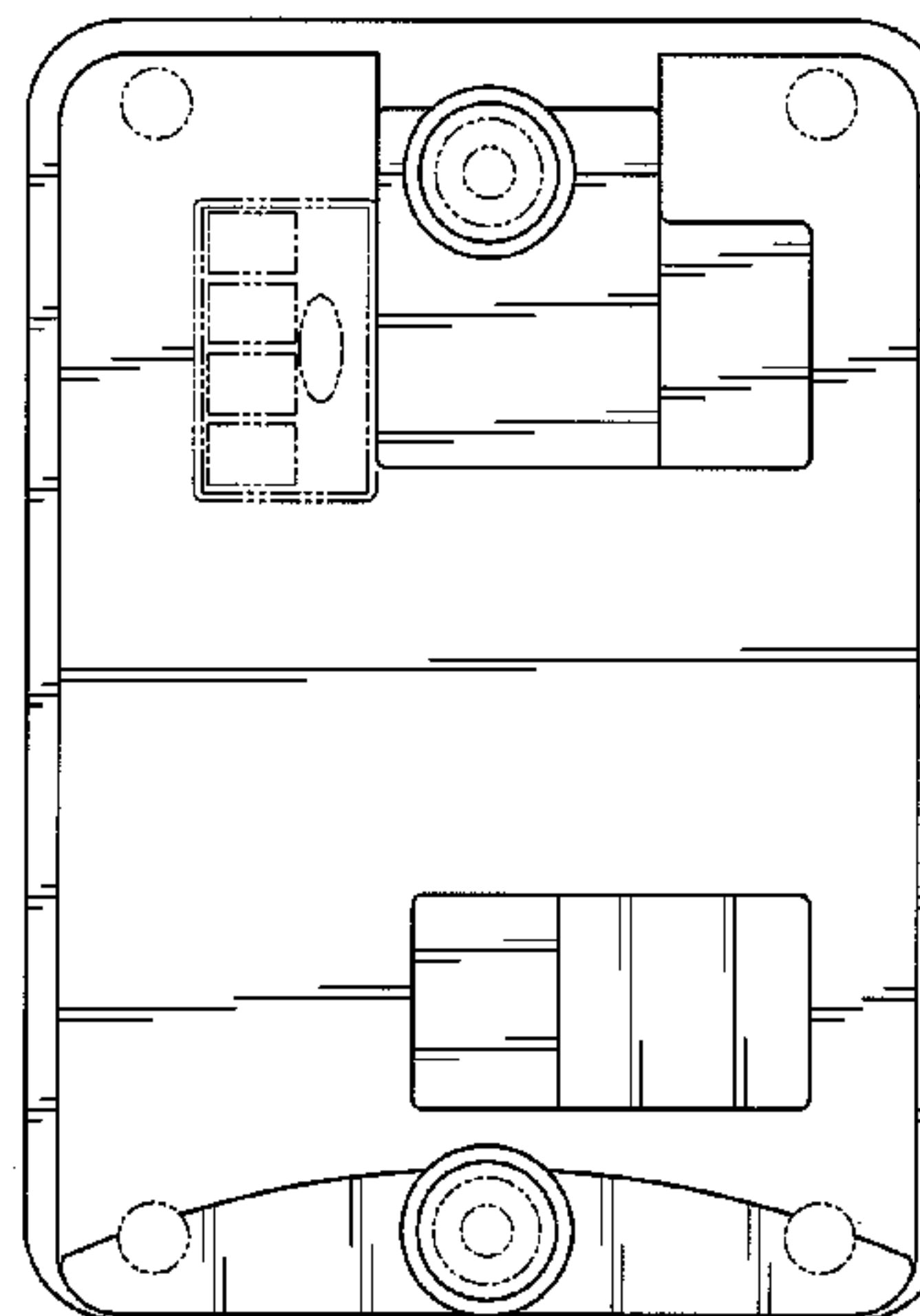
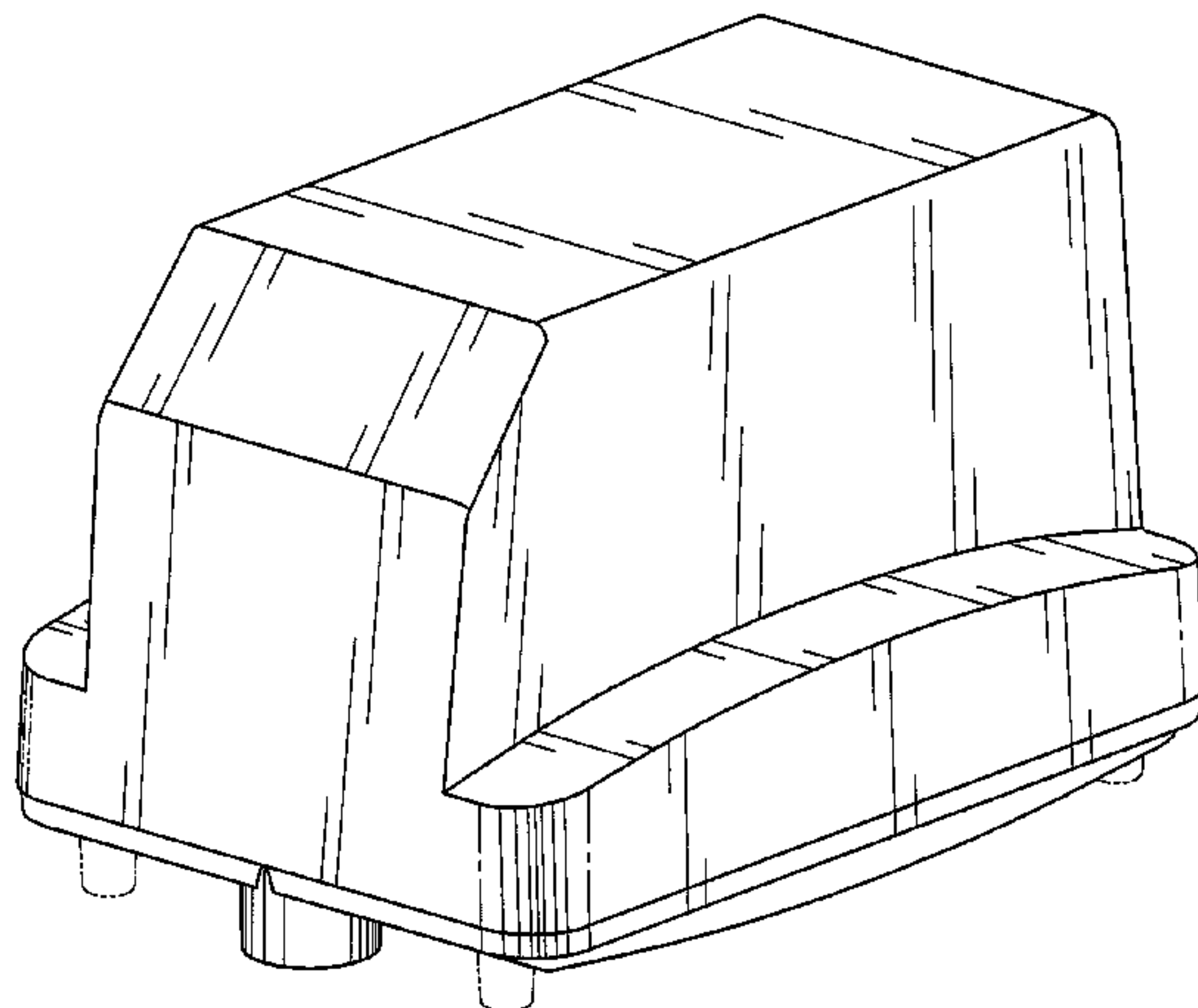
The ornamental design for an ink cartridge, as shown and described.

DESCRIPTION

FIG. 1 is a bottom perspective view of an ink cartridge of the present disclosure;
FIG. 2 is a top view thereof;
FIG. 3 is a bottom view thereof;
FIG. 4 is a right side view thereof;
FIG. 5 is a left view thereof;
FIG. 6 is a rear view thereof; and,
FIG. 7 is a front view thereof.

The broken lines are for purposes of illustration only and form no part of the claimed design.

1 Claim, 7 Drawing Sheets



US D580,972 S

Page 2

U.S. PATENT DOCUMENTS					
6,290,347	B1 *	9/2001	Stolk et al.	347/86	
D449,643	S	10/2001	Hatasa et al.		
6,296,353	B1	10/2001	Thielman et al.		
6,322,205	B1	11/2001	Childers et al.		
6,386,675	B2	5/2002	Wilson et al.		
D461,203	S	8/2002	Nanjo et al.		
D461,495	S	8/2002	Nanjo et al.		
6,431,681	B2	8/2002	Hatasa et al.		
6,431,692	B1	8/2002	Thielman et al.		
D464,081	S	10/2002	Nanjo et al.		
6,471,333	B1	10/2002	Powell et al.		
6,540,342	B2	4/2003	Koshikawa et al.		
6,550,899	B1	4/2003	Cowger et al.		
6,612,690	B1	9/2003	Wallace et al.		
6,648,460	B2	11/2003	Gonzales		
6,692,117	B1	2/2004	Kamp		
6,702,427	B2	3/2004	Shimizu et al.		
6,719,415	B1	4/2004	Hattori et al.		
D490,102	S	5/2004	Umeyama et al.		
D491,221	S	6/2004	Umeyama et al.		
6,793,329	B2	9/2004	Battey et al.		
6,824,258	B2	11/2004	Yamamoto et al.		
6,877,849	B2	4/2005	Gonzales		
6,922,259	B2	7/2005	Bullock et al.		
6,945,642	B2	9/2005	Yamamoto et al.		
6,948,805	B2	9/2005	Hankins et al.		
6,959,985	B2	11/2005	Steinmetz et al.		
6,962,408	B2	11/2005	Steinmetz et al.		
6,976,749	B2	12/2005	Sasaki et al.		
7,004,564	B2	2/2006	Steinmetz et al.		
D517,599	S	3/2006	Sasaki et al.		
D527,417	S *	8/2006	Steinmetz et al.	D18/56	
					* cited by examiner
			7,090,343	B2	8/2006 Steinmetz et al.
			D527,763	S *	9/2006 Steinmetz et al. D18/56
			7,104,630	B2	9/2006 Steinmetz et al.
			7,128,409	B2 *	10/2006 Steinmetz et al. 347/86
			7,147,310	B2 *	12/2006 Steinmetz et al. 347/86
			D534,948	S *	1/2007 Steinmetz et al. D18/56
			D541,850	S *	5/2007 Steinmetz et al. D18/56
			D549,279	S *	8/2007 Steinmetz et al. D18/56
			7,252,369	B2 *	8/2007 Nakamura et al. 347/86
			7,300,140	B2 *	11/2007 Silverbrook et al. 347/86
			2001/0015738	A1	8/2001 Childers et al.
			2001/0033306	A1	10/2001 Hatasa et al.
			2001/0033315	A1	10/2001 Hatasa et al.
			2002/0051045	A1	5/2002 Koshikawa et al.
			2002/0180845	A1 *	12/2002 Barinaga et al. 347/86
			2003/0234844	A1	12/2003 Yamamoto et al.
			2004/0021751	A1	2/2004 Steinmetz et al.
			2004/0027432	A1	2/2004 Childers et al.
			2004/0090503	A1 *	5/2004 Kotaki et al. 347/86
			2004/0183870	A1	9/2004 Steinmetz et al.
			2004/0183871	A1	9/2004 Childers et al.
			2004/0183873	A1	9/2004 Steinmetz et al.
			2004/0218024	A1	11/2004 Hankins et al.
			2004/0227795	A1 *	11/2004 Ujita et al. 347/86
			2005/0024447	A1	2/2005 Steinmetz et al.
			2005/0024451	A1	2/2005 Steinmetz et al.
			2005/0024452	A1	2/2005 Steinmetz et al.
			2005/0024453	A1	2/2005 Steinmetz et al.
			2005/0128263	A1 *	6/2005 Nishioka et al. 347/86
			2005/0162490	A1	7/2005 Katayama et al.
			2005/0179752	A1	8/2005 Ishizawa et al.
			2005/0212881	A1	9/2005 Steinmetz et al.
			2006/0001717	A1	1/2006 Sasaki et al.

FIG. 1

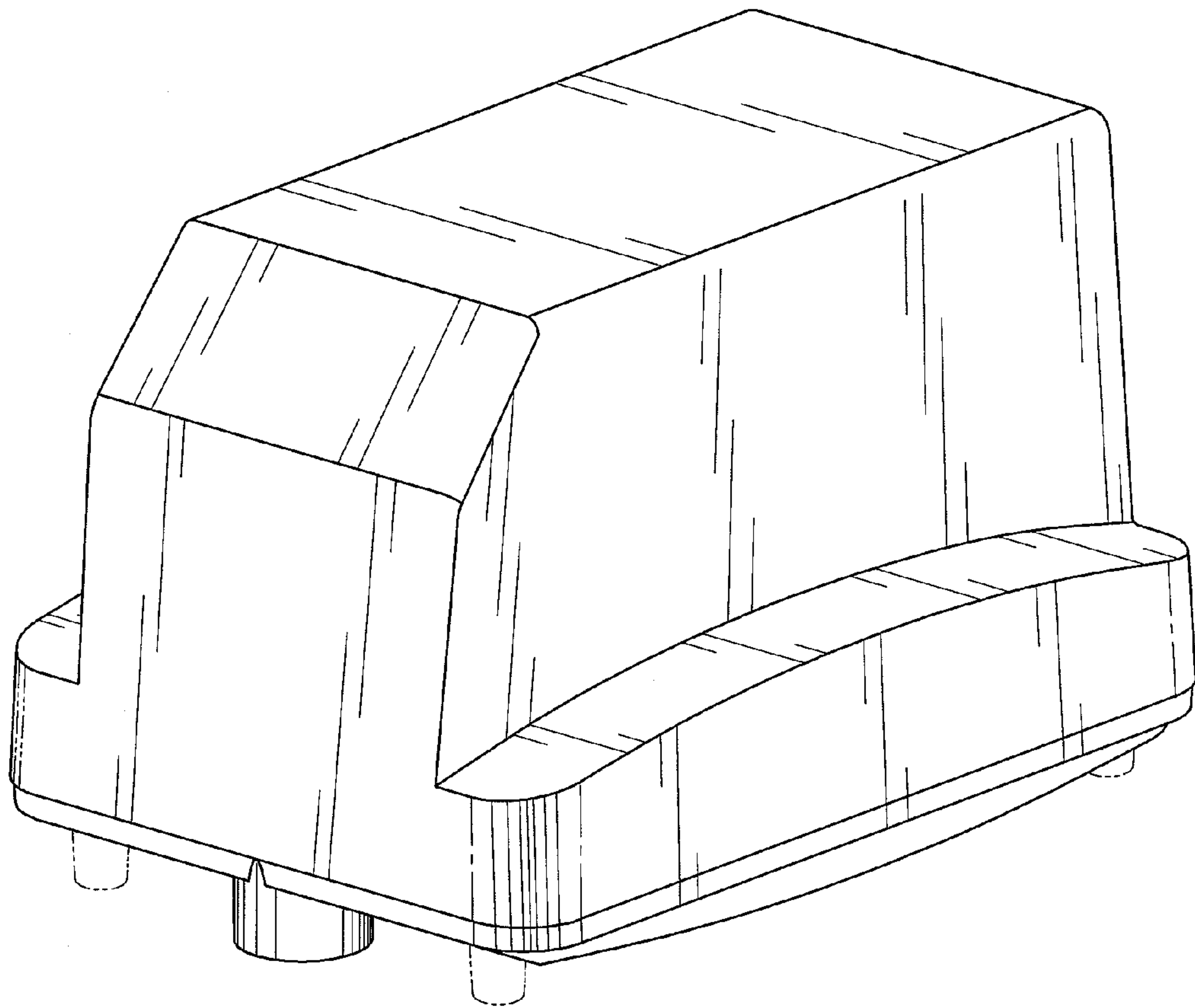


FIG.2

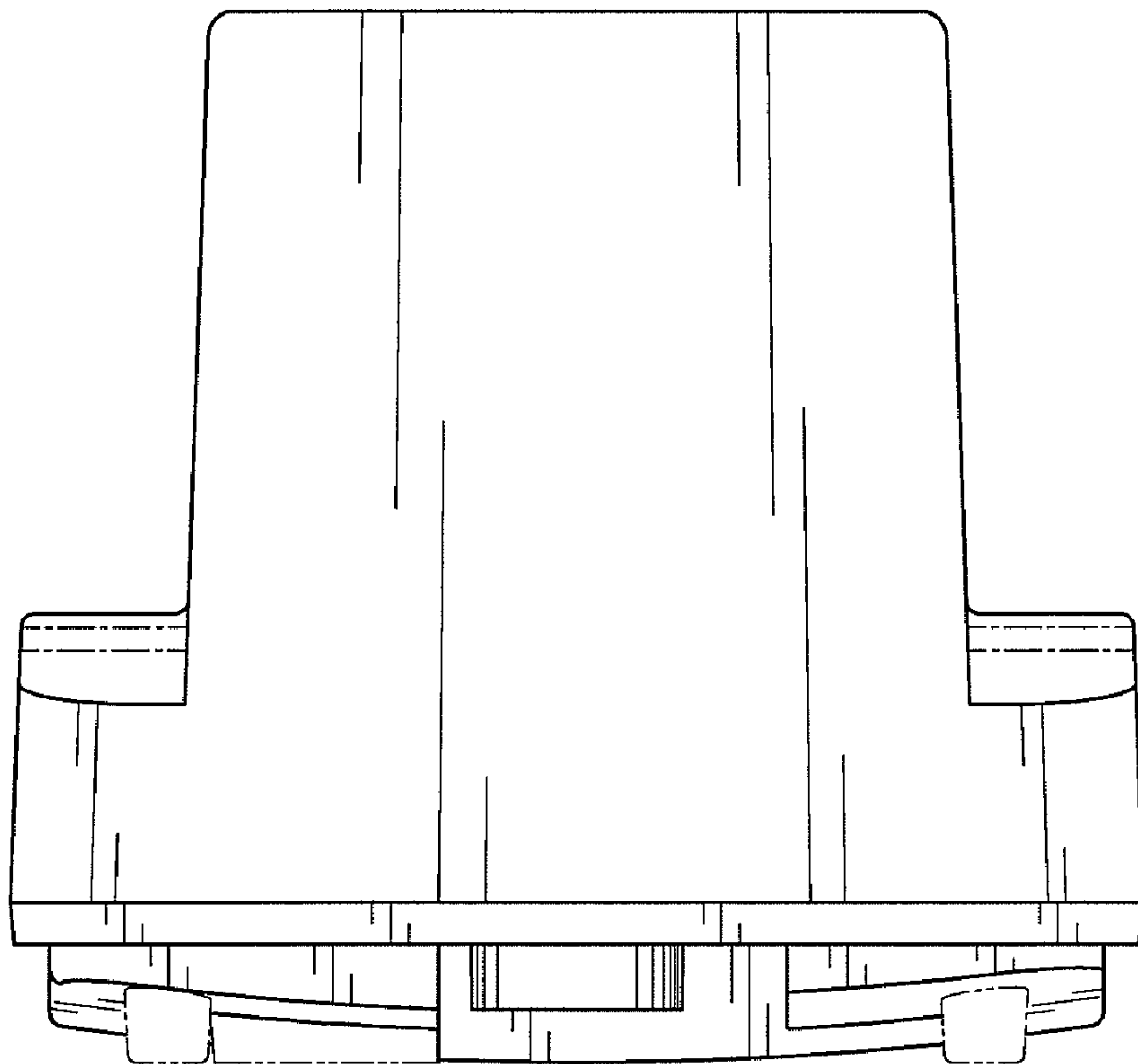


FIG.3

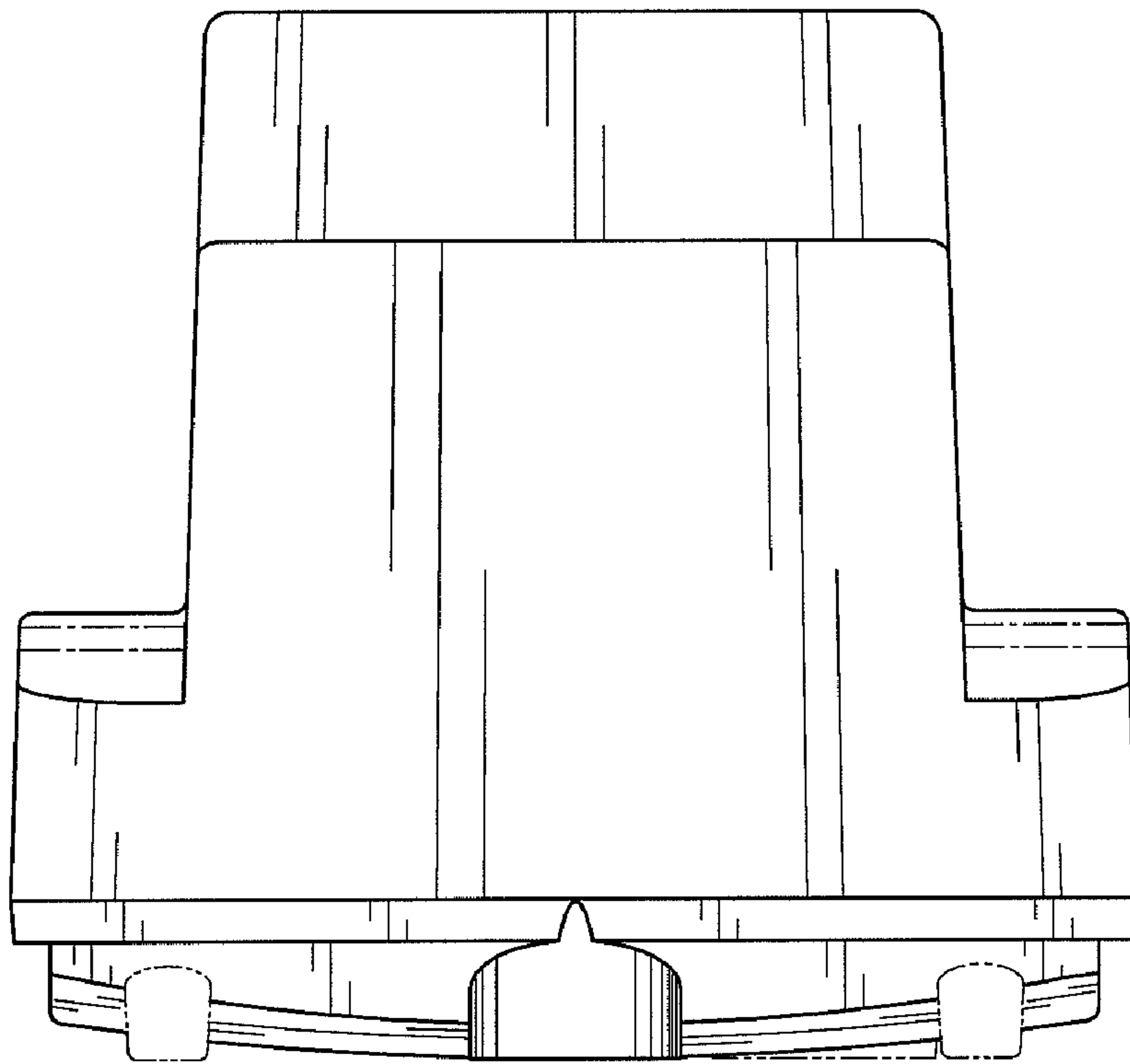


FIG.4

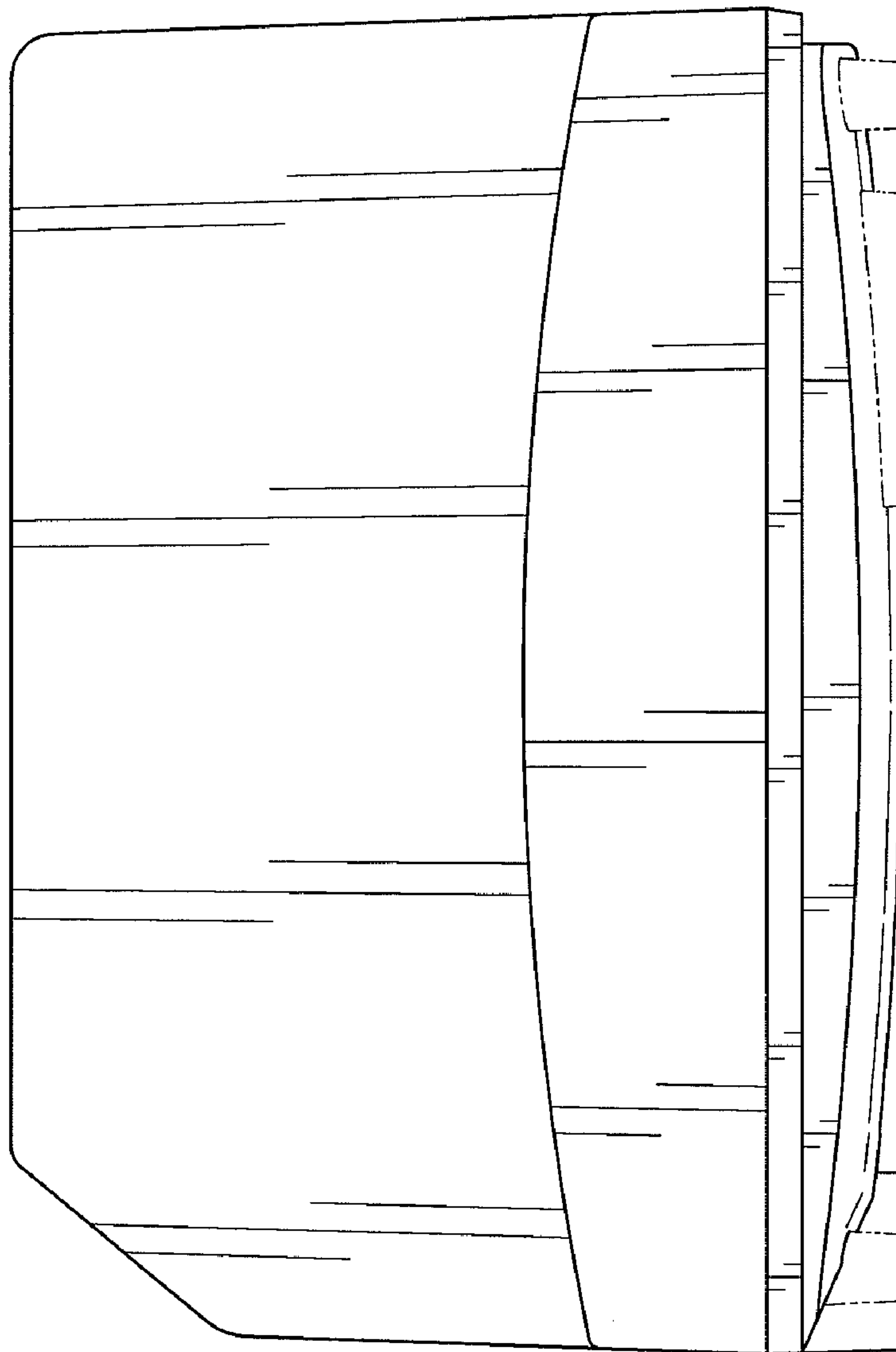


FIG.5

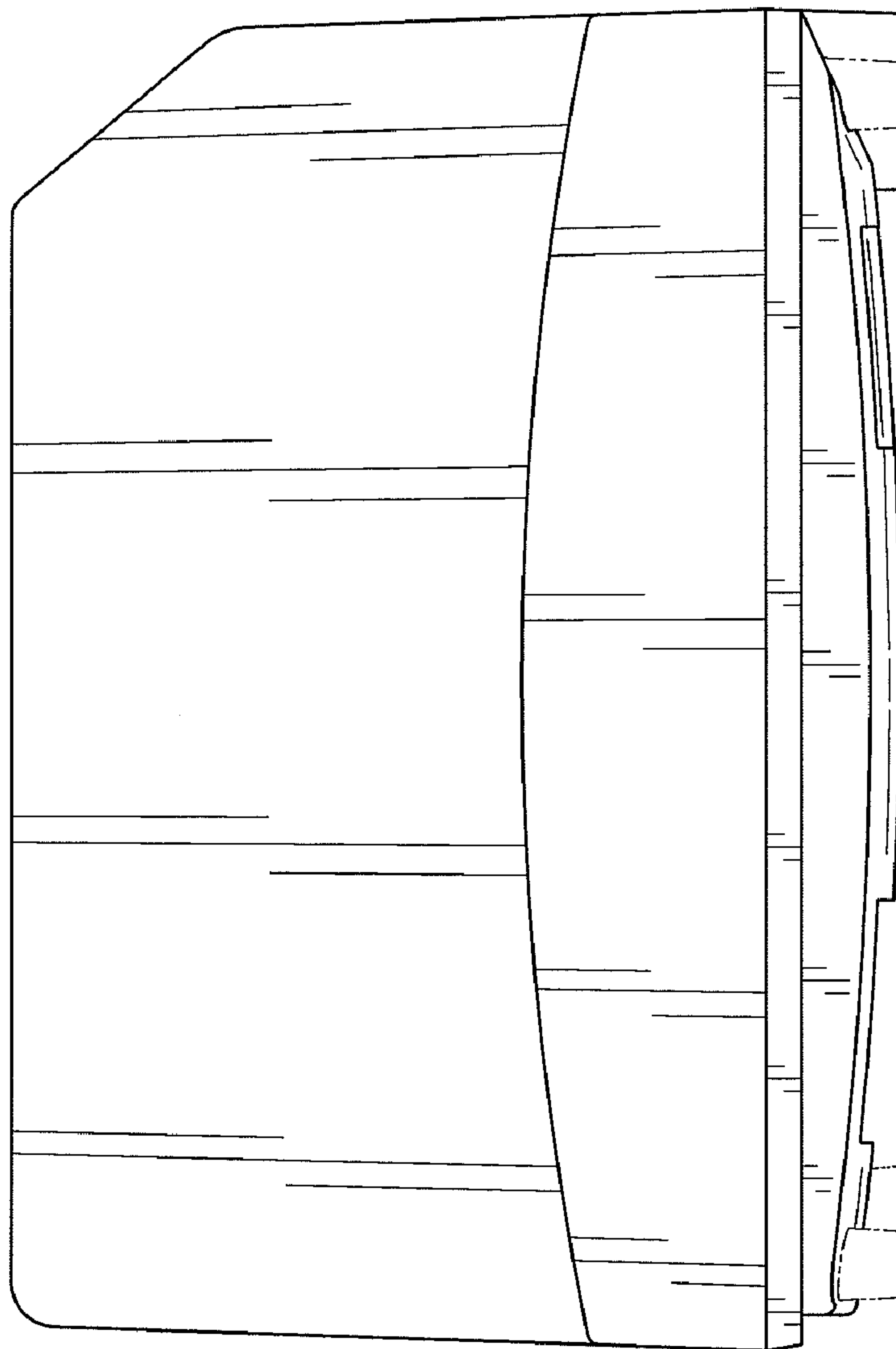


FIG. 6

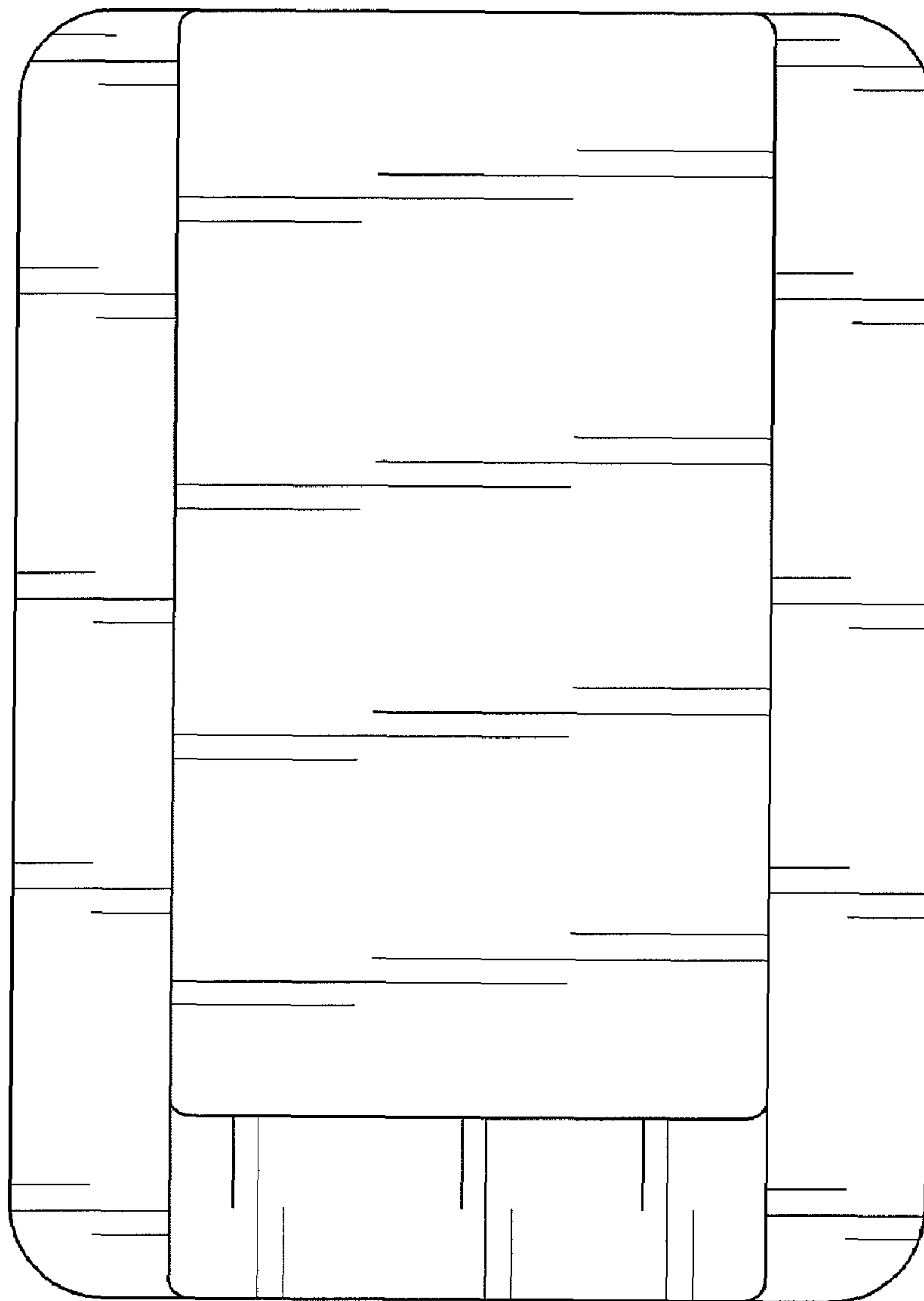


FIG.7

