



US00D580970S

(12) **United States Design Patent**
Alfonso et al.

(10) **Patent No.:** **US D580,970 S**
(45) **Date of Patent:** **** Nov. 18, 2008**

(54) **PRINTER**

(75) Inventors: **Pedro M. Alfonso**, Austin, TX (US);
Michael E. Smith, Austin, TX (US)

(73) Assignee: **Dell Products L.P.**, Round Rock, TX
(US)

(**) Term: **14 Years**

(21) Appl. No.: **29/247,332**

(22) Filed: **Jun. 12, 2006**

(51) **LOC (8) Cl.** **14-02**

(52) **U.S. Cl.** **D18/55**

(58) **Field of Classification Search** D18/4.4,
D18/36-39, 41, 50, 53, 54-55; D14/420-425,
D14/462-470; 400/613, 613.1-613.4, 690.1-690.4,
400/691-694

See application file for complete search history.

(56) **References Cited**

U.S. PATENT DOCUMENTS

D324,233 S *	2/1992	Sawa et al.	D18/54
D324,539 S *	3/1992	Sawa	D18/54
D378,300 S *	3/1997	Ito	D18/55
D432,564 S *	10/2000	Miyazawa	D18/54
D437,349 S *	2/2001	Saito et al.	D18/55
D463,484 S *	9/2002	Kemmochi	D18/50
D491,981 S *	6/2004	Todd	D18/55
D501,874 S	2/2005	Ishigami	D18/50

D502,732 S	3/2005	Ishigami	D18/50
D505,154 S	5/2005	Wong et al.	D18/50
D521,060 S *	5/2006	Katayama	D18/55
D527,045 S *	8/2006	Lim et al.	D18/50
D540,851 S *	4/2007	Gilbert et al.	D18/50
D544,906 S *	6/2007	Alfonso et al.	D18/55
D552,170 S *	10/2007	Kim et al.	D18/55
D555,722 S *	11/2007	Bae et al.	D18/55
D558,264 S *	12/2007	Smith et al.	D18/55

* cited by examiner

Primary Examiner—Cathy Anne MacCormac

(74) *Attorney, Agent, or Firm*—Hamilton & Terrile, LLP;
Robert W. Holland

(57) **CLAIM**

The ornamental design for a printer, as shown.

DESCRIPTION

FIG. 1 is a front perspective view of the printer comprising the present invention;

FIG. 2 is a front elevation view thereof;

FIG. 3 is a right side elevation view thereof;

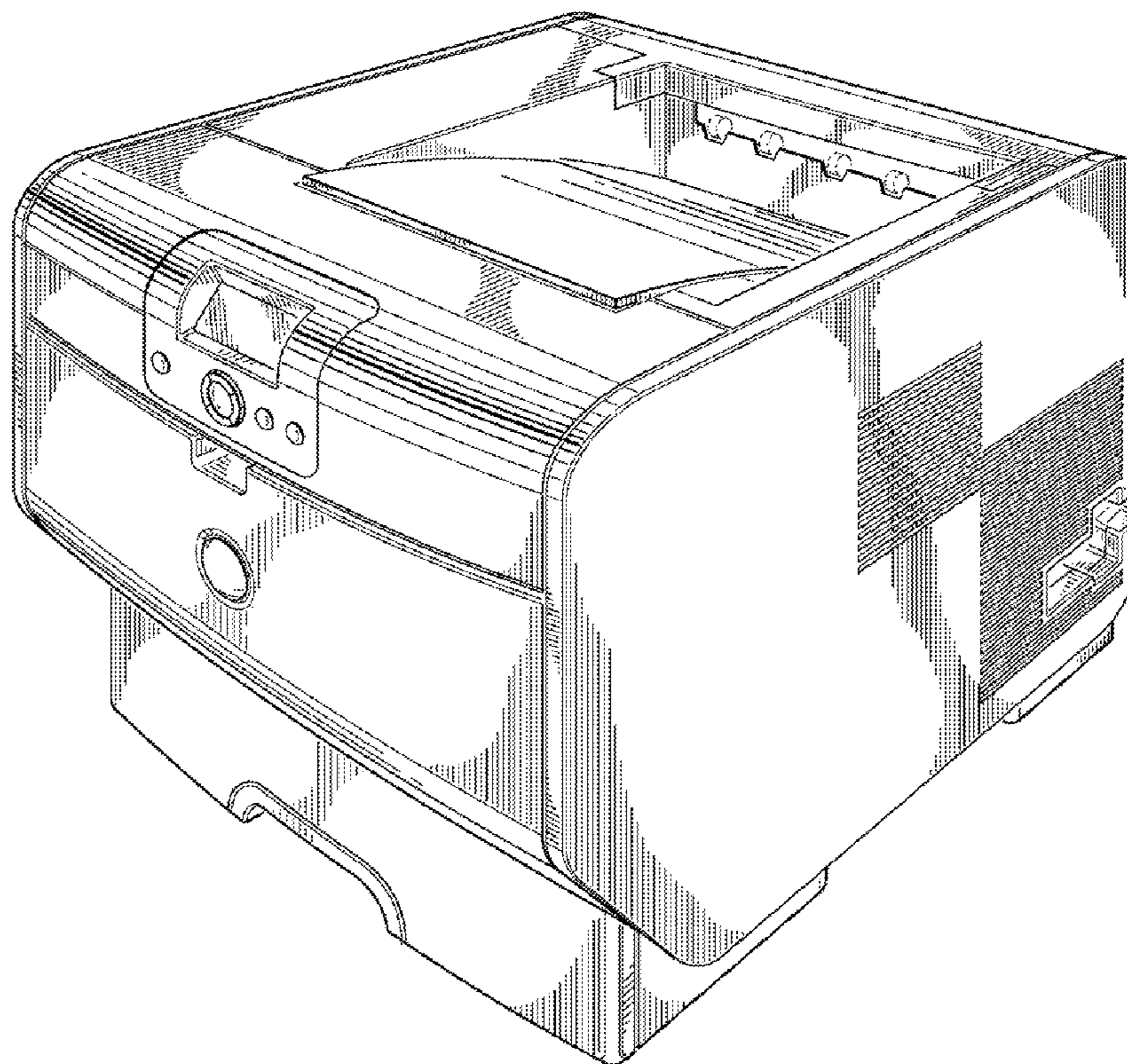
FIG. 4 is a left side elevation view thereof;

FIG. 5 is a back view thereof; and,

FIG. 6 is a top plan view thereof.

The broken lines are for illustration only and form no part of the claimed design.

1 Claim, 4 Drawing Sheets



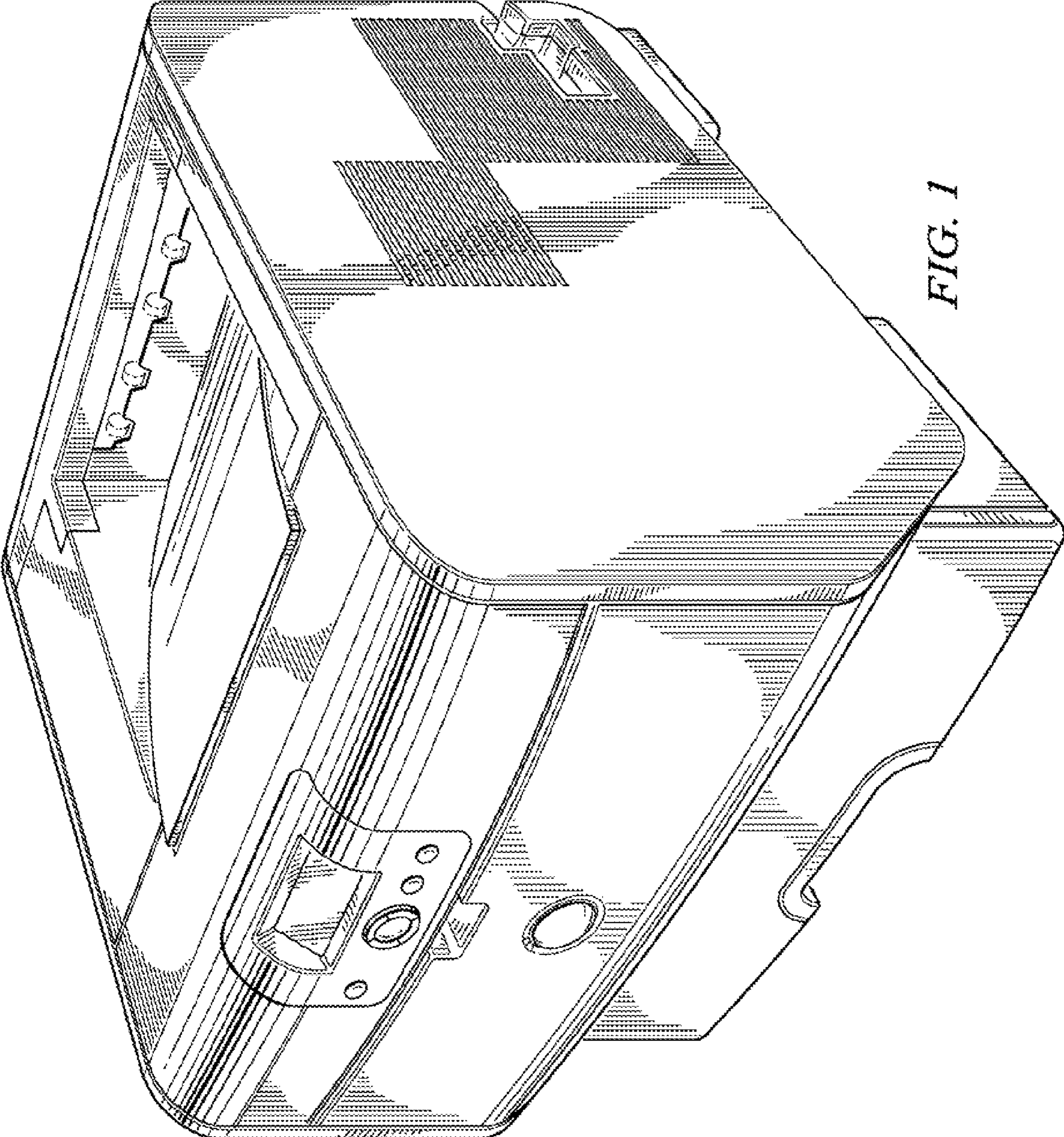


FIG. 1

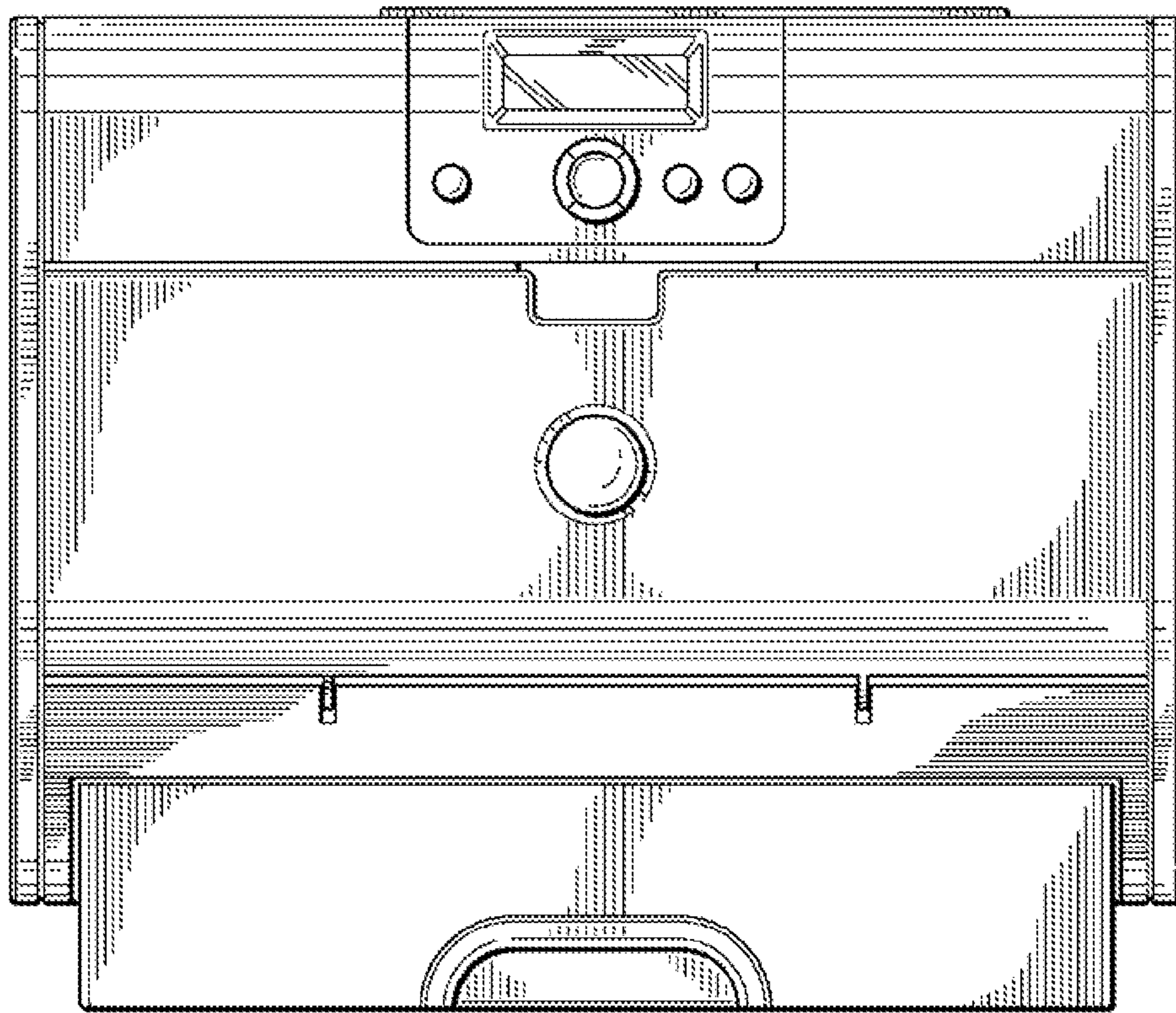


FIG. 2

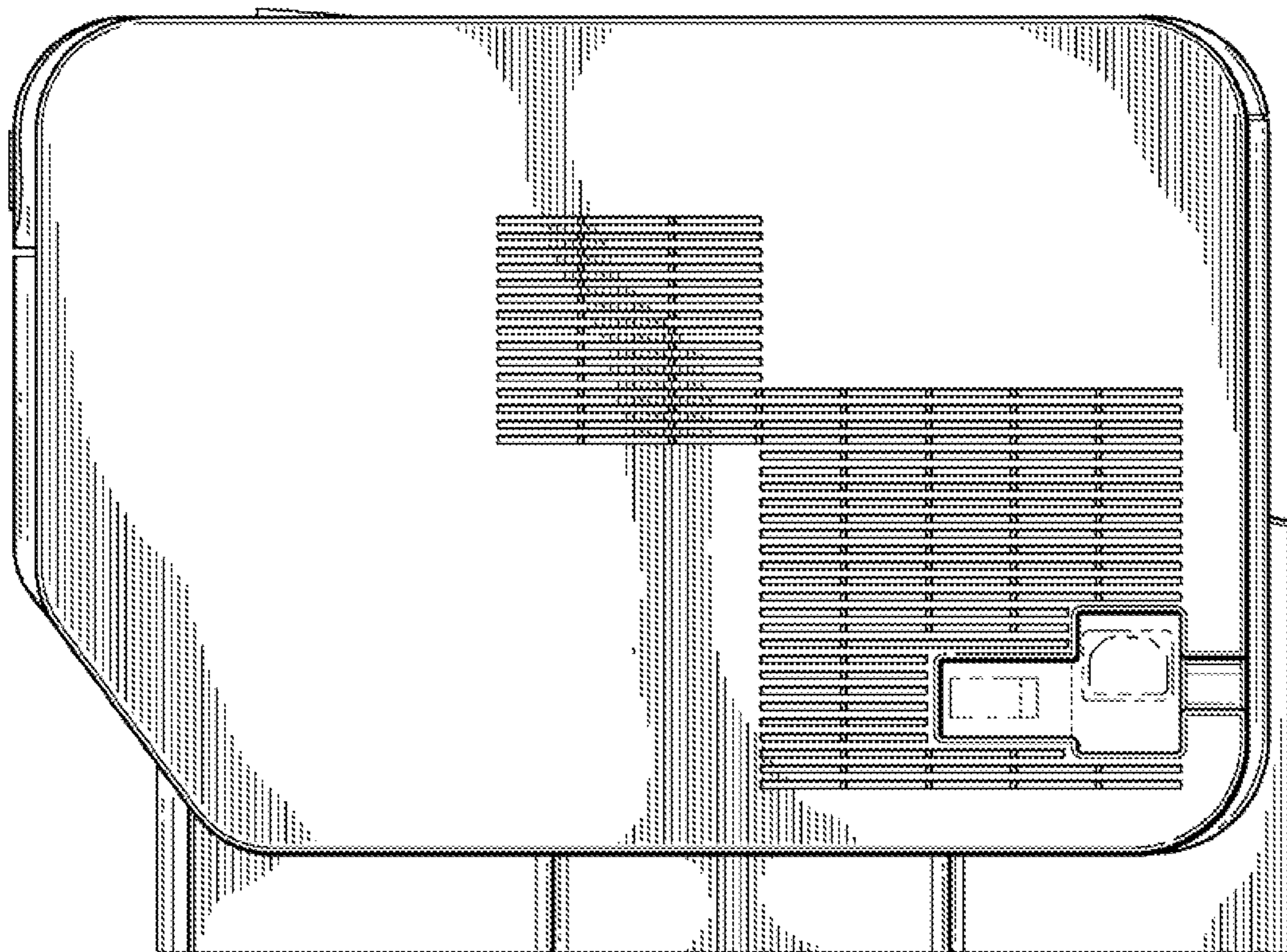


FIG. 3

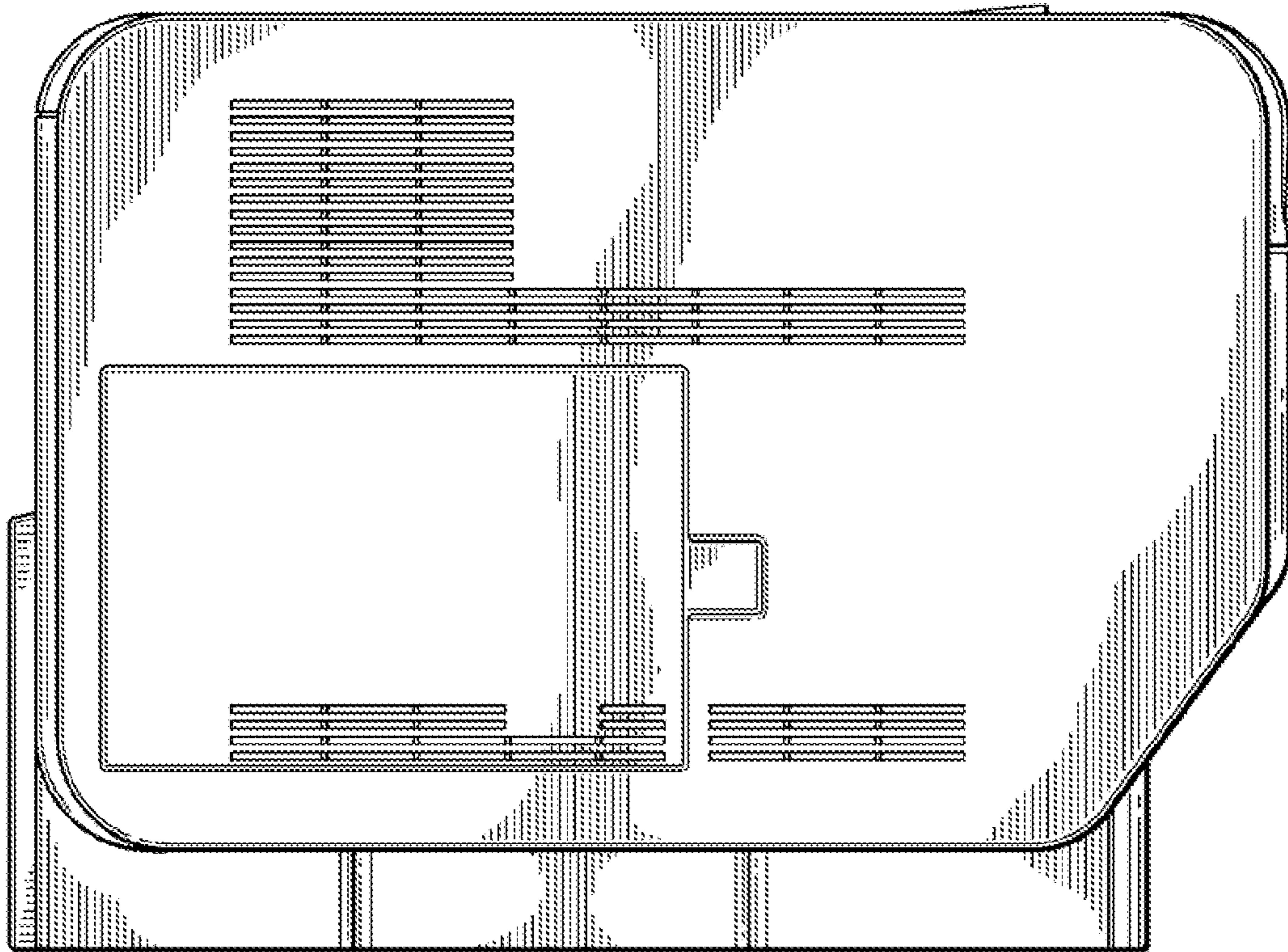


FIG. 4

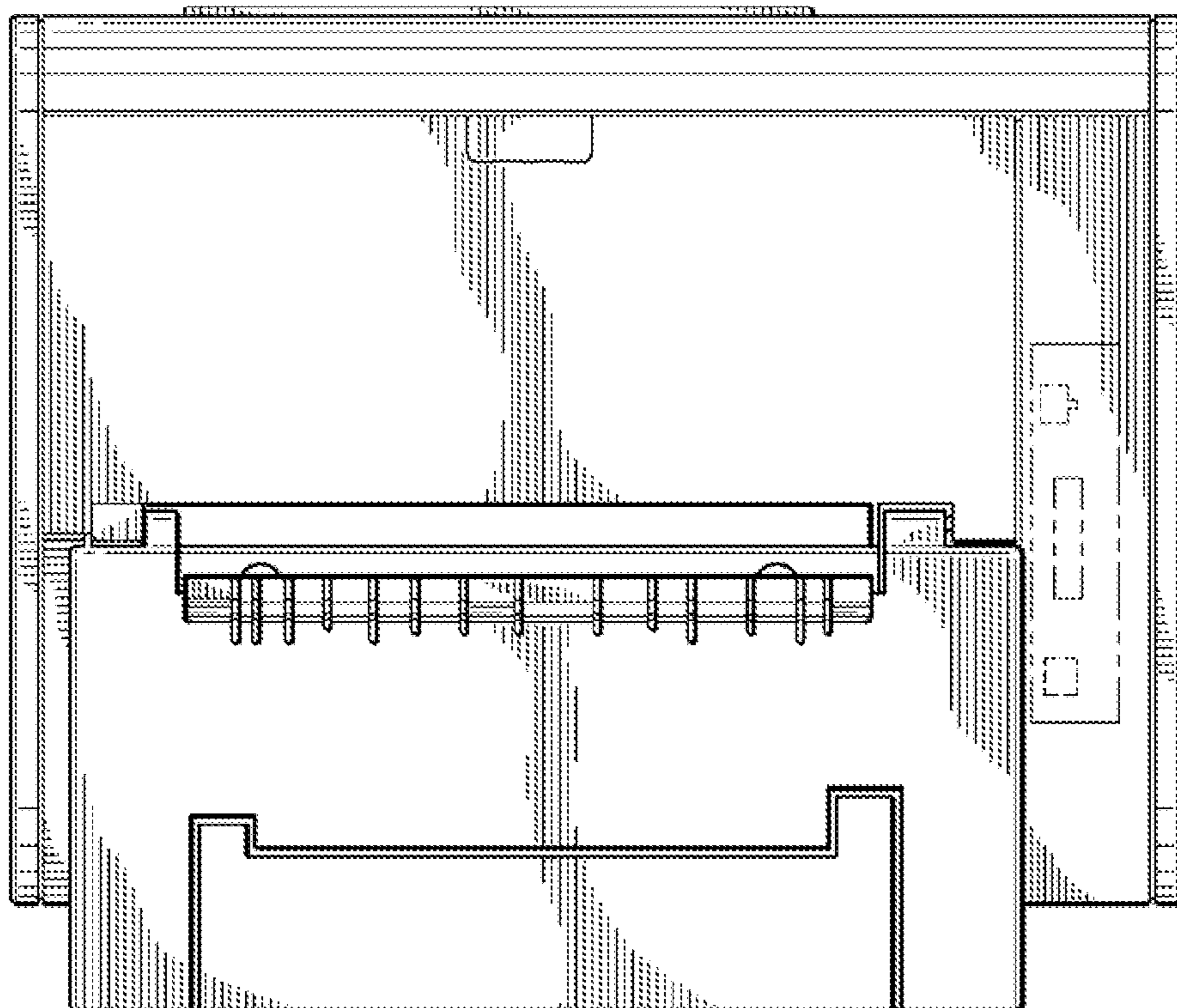


FIG. 5

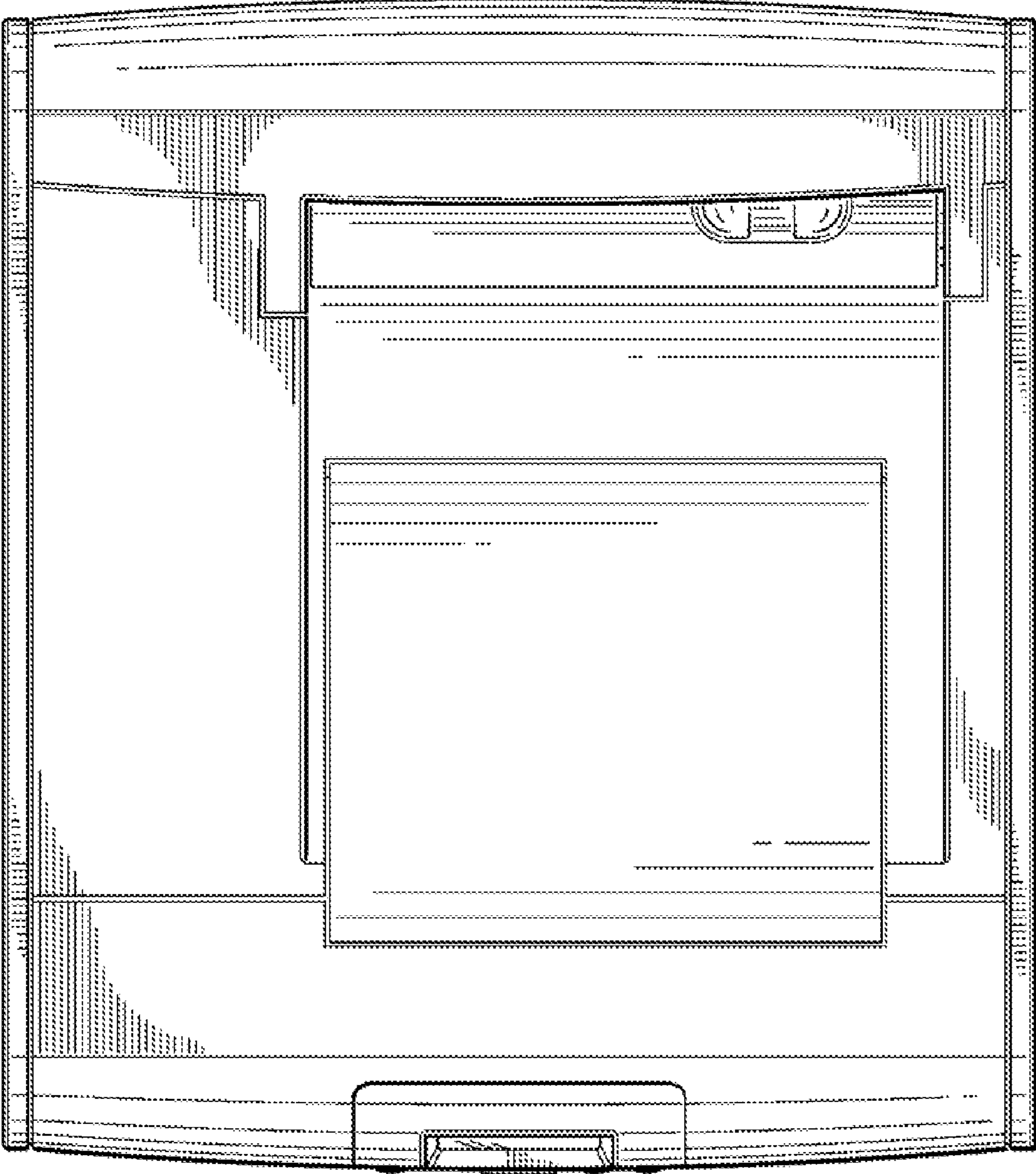


FIG. 6