



US00D580969S

(12) **United States Design Patent**
Sakai

(10) **Patent No.:** **US D580,969 S**

(45) **Date of Patent:** **** Nov. 18, 2008**

(54) **PRINTER**

(75) Inventor: **Masayuki Sakai**, Tokyo (JP)

(73) Assignee: **Fujifilm Corporation**, Tokyo (JP)

(**) Term: **14 Years**

(21) Appl. No.: **29/287,690**

(22) Filed: **Sep. 10, 2007**

(30) **Foreign Application Priority Data**

Mar. 8, 2007 (JP) 2007-006019

(51) **LOC (8) Cl.** **18-02**

(52) **U.S. Cl.** **D18/50**

(58) **Field of Classification Search** D18/36-39,
D18/50, 54, 54.1, 55; D14/421-425, 462-470;
400/613, 613.1-613.4, 690.1-690.4, 691-694
See application file for complete search history.

(56) **References Cited**

U.S. PATENT DOCUMENTS

- D390,838 S * 2/1998 Takeuchi et al. D16/221
- D444,811 S * 7/2001 Yamamoto D18/50
- D456,443 S * 4/2002 Igarashi D18/50
- D499,388 S * 12/2004 Murakami D14/136
- D517,111 S * 3/2006 Katayama D18/50
- D517,112 S * 3/2006 Katayama D18/50
- D519,549 S * 4/2006 Tanio D18/50

- D526,348 S * 8/2006 Tanaka D18/50
- D532,448 S * 11/2006 Lim et al. D18/50
- D532,817 S * 11/2006 Ishii D18/50
- D533,216 S * 12/2006 Sato D18/50
- D533,585 S * 12/2006 Park et al. D18/50
- D540,852 S * 4/2007 Huang et al. D18/50
- D546,383 S * 7/2007 Wang D18/50
- D548,777 S * 8/2007 Matsumoto et al. D18/55
- D552,167 S * 10/2007 Lee et al. D18/50
- D556,253 S * 11/2007 Hong et al. D18/50

* cited by examiner

Primary Examiner—Cathy Anne MacCormac

(74) *Attorney, Agent, or Firm*—Young & Thompson

(57) **CLAIM**

The ornamental design for a printer, as shown and described.

DESCRIPTION

FIG. 1 is a top, front and side perspective view of a printer showing my new design;

FIG. 2 is a front elevational view thereof;

FIG. 3 is a rear elevational view thereof;

FIG. 4 is a top plan view thereof;

FIG. 5 is a bottom plan view thereof;

FIG. 6 is a left side elevational view thereof; and,

FIG. 7 is a perspective view with its tray open.

1 Claim, 4 Drawing Sheets

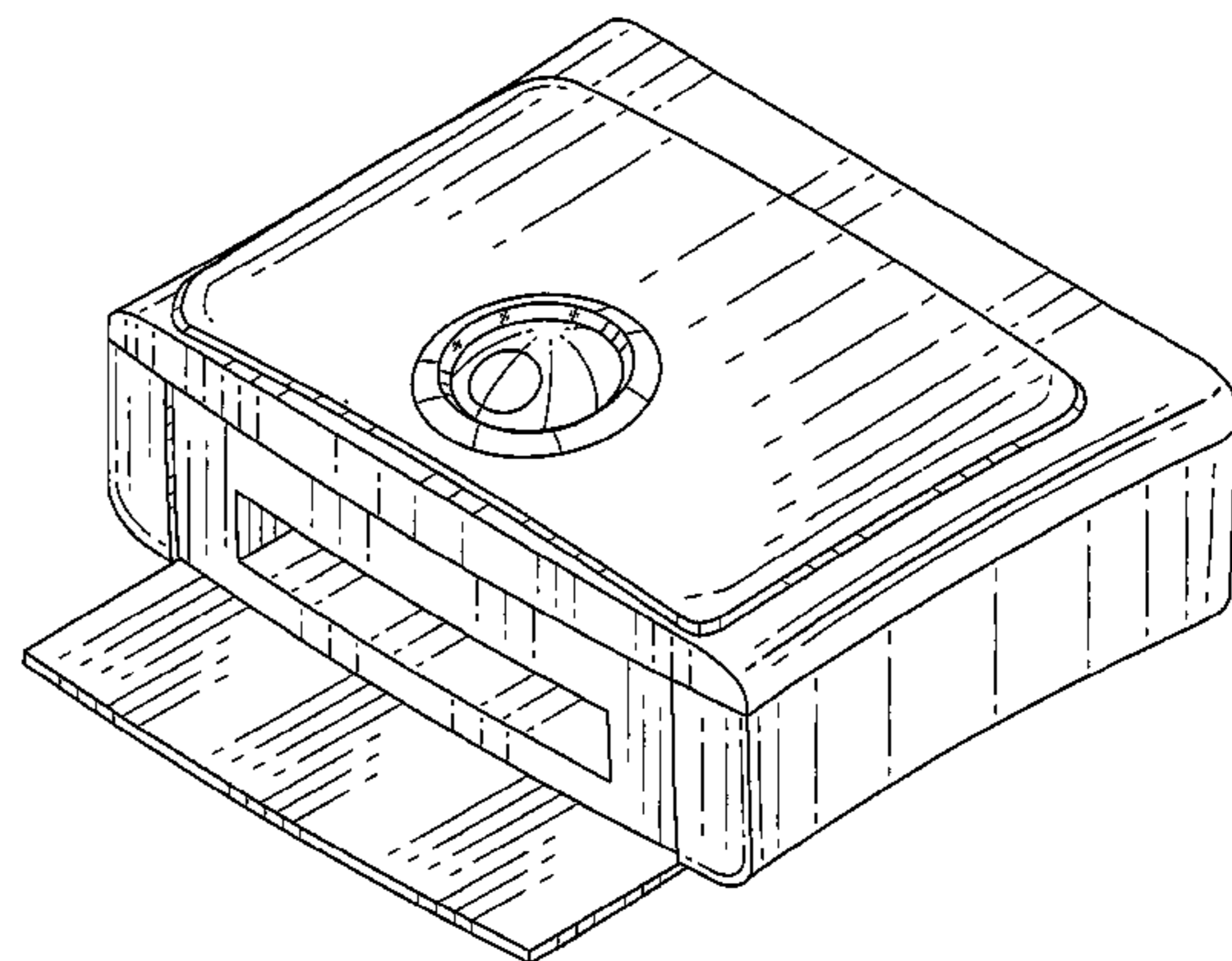
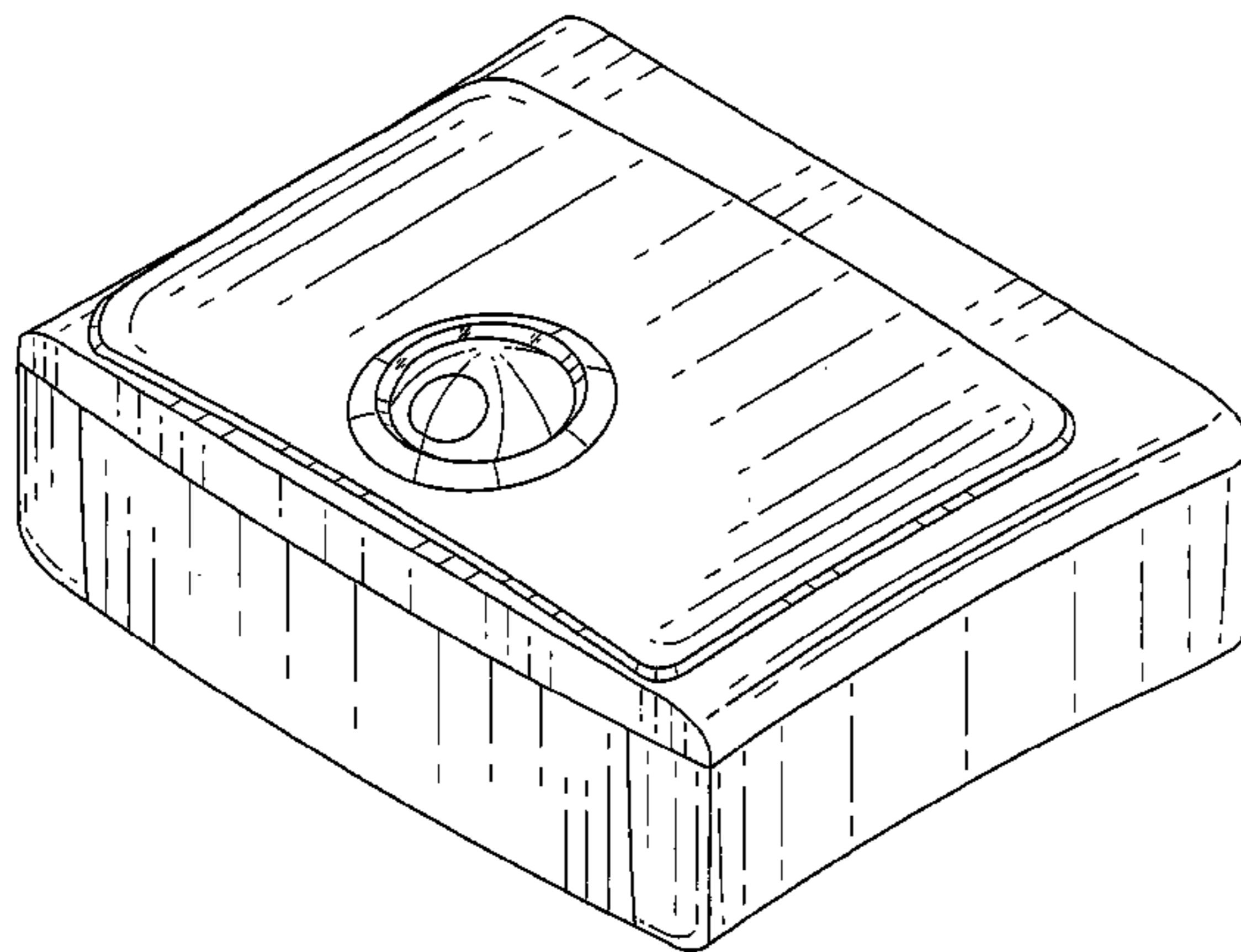


FIG.1

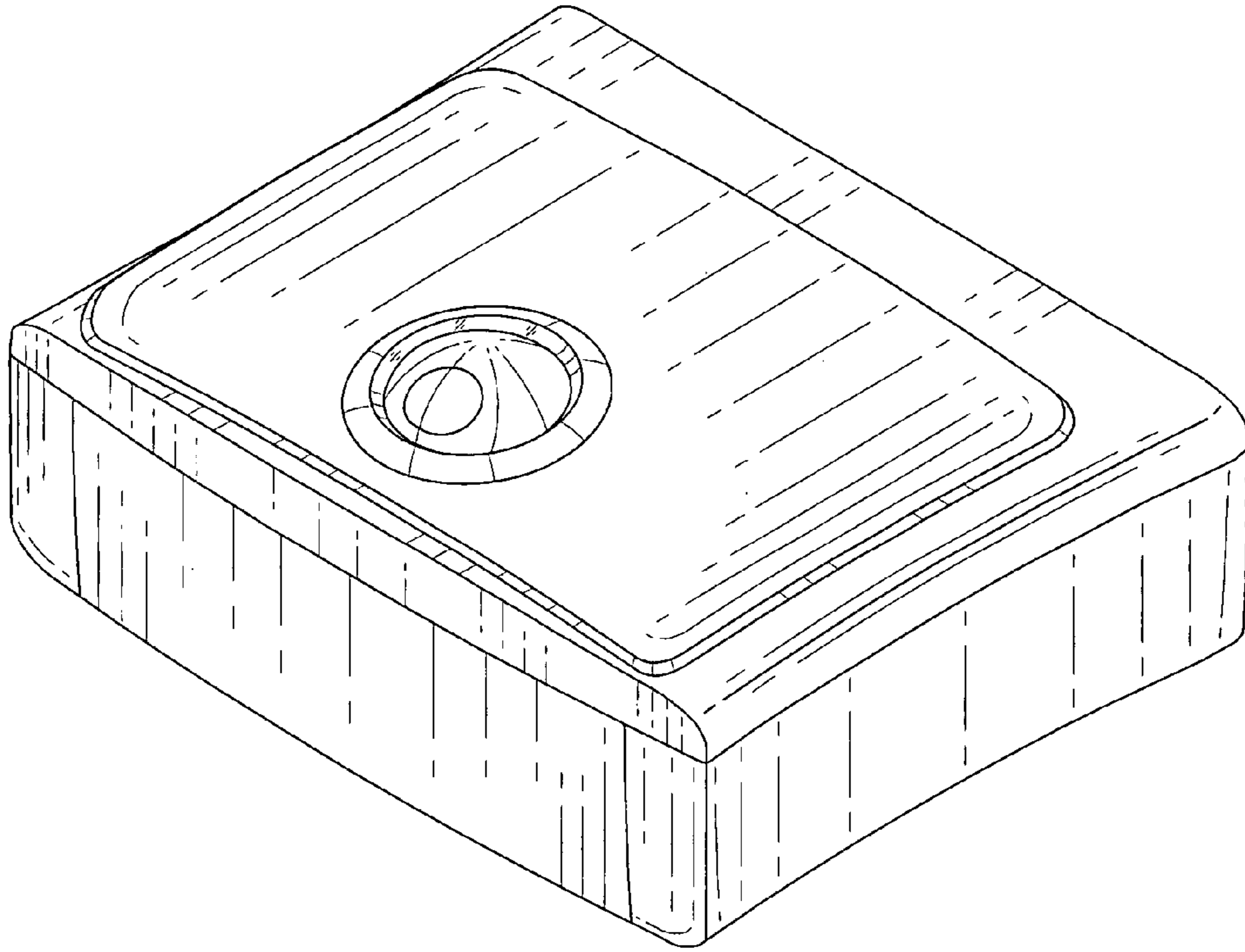


FIG.2

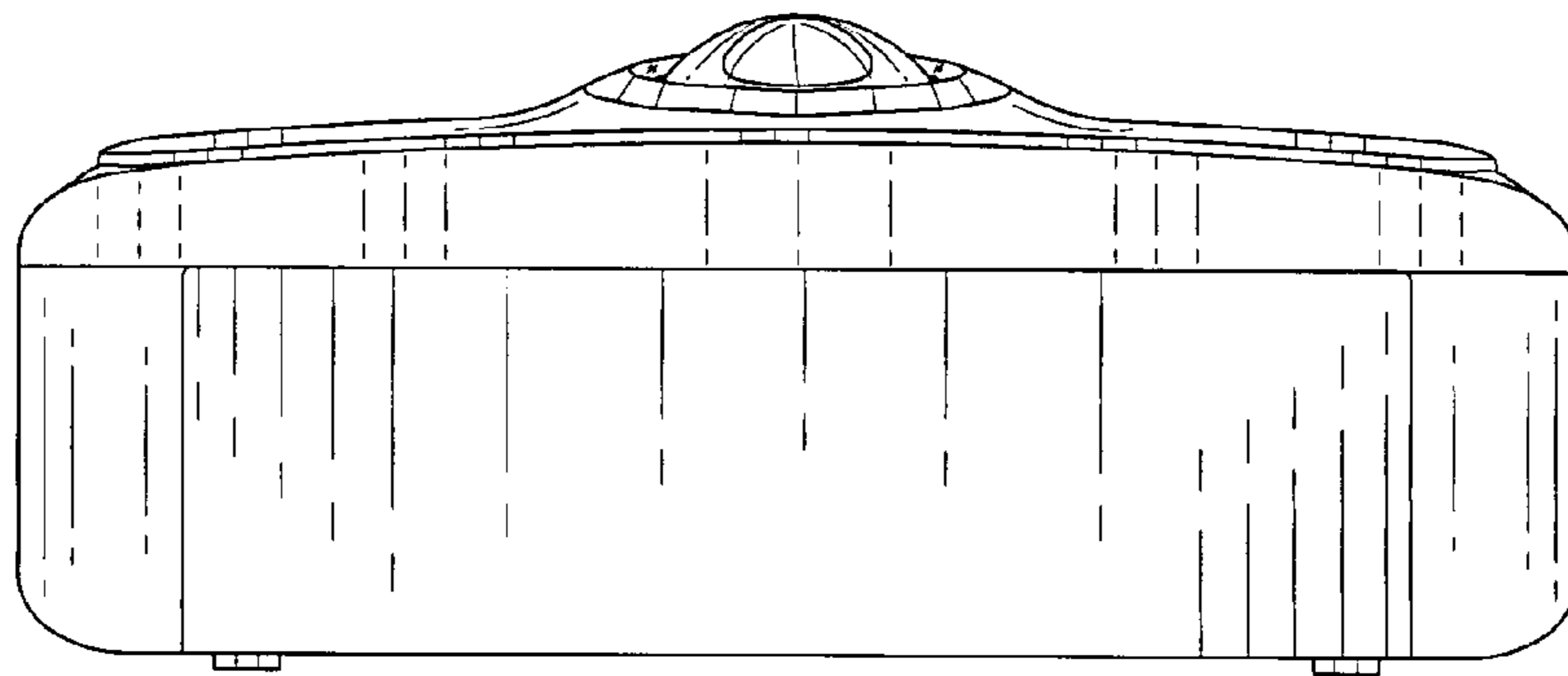


FIG.3

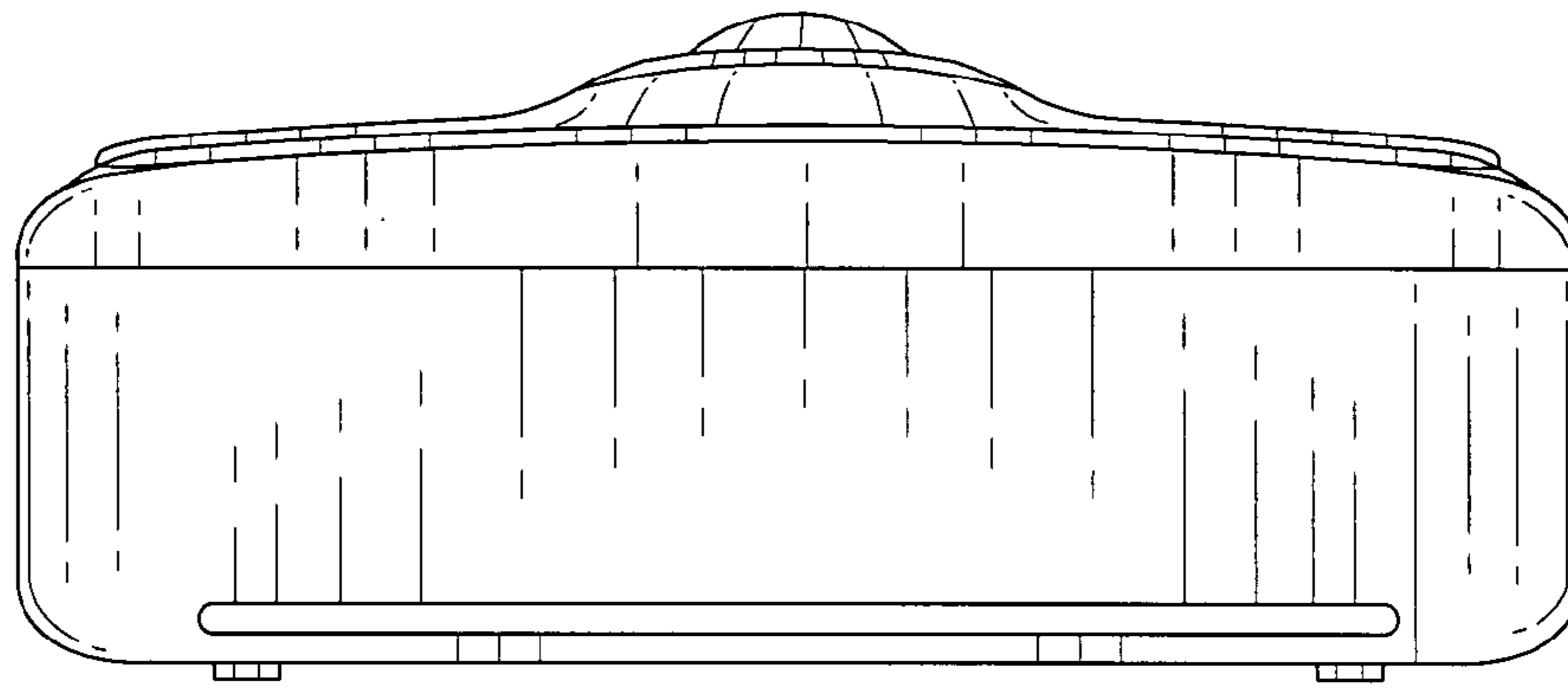


FIG.4

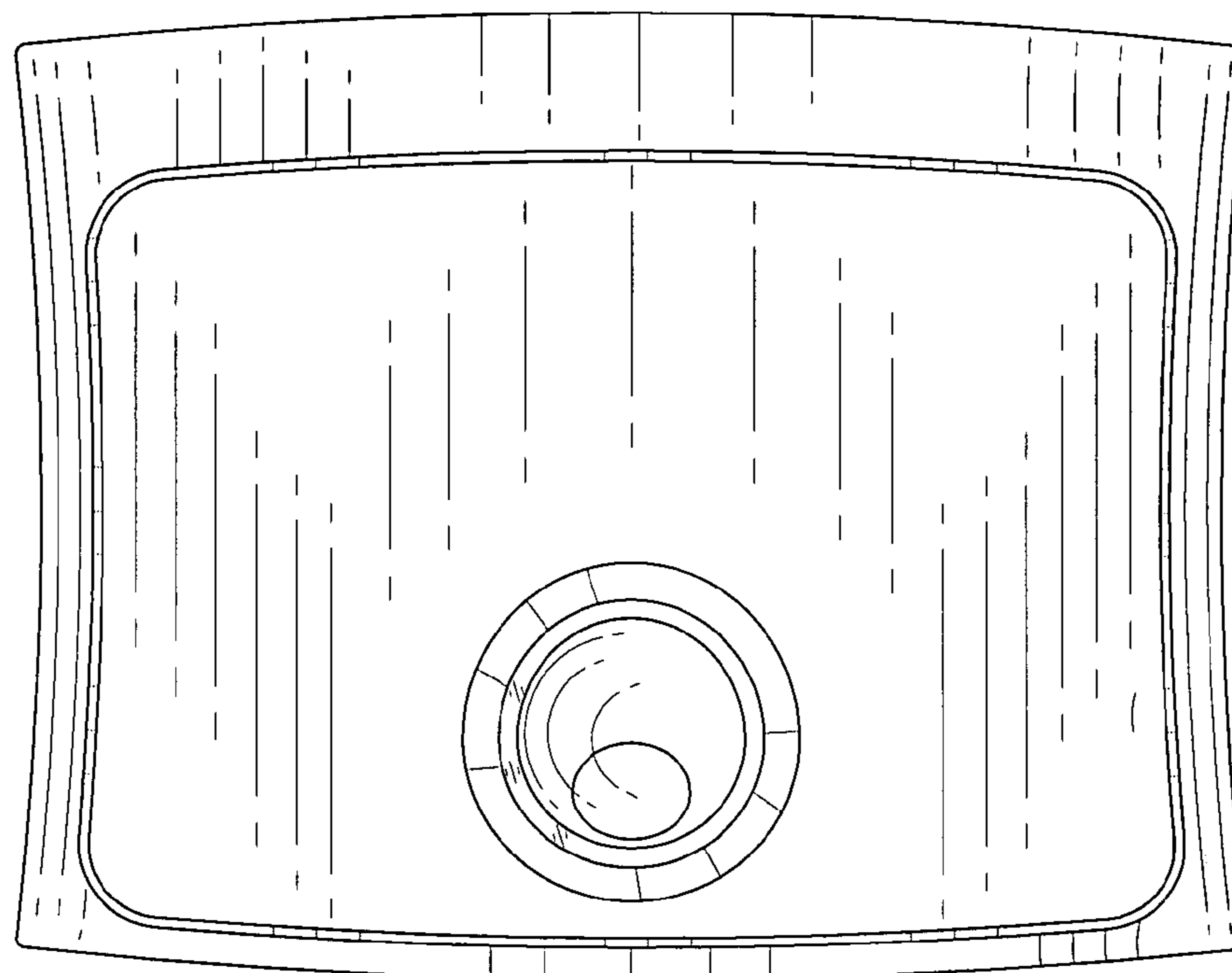


FIG.5

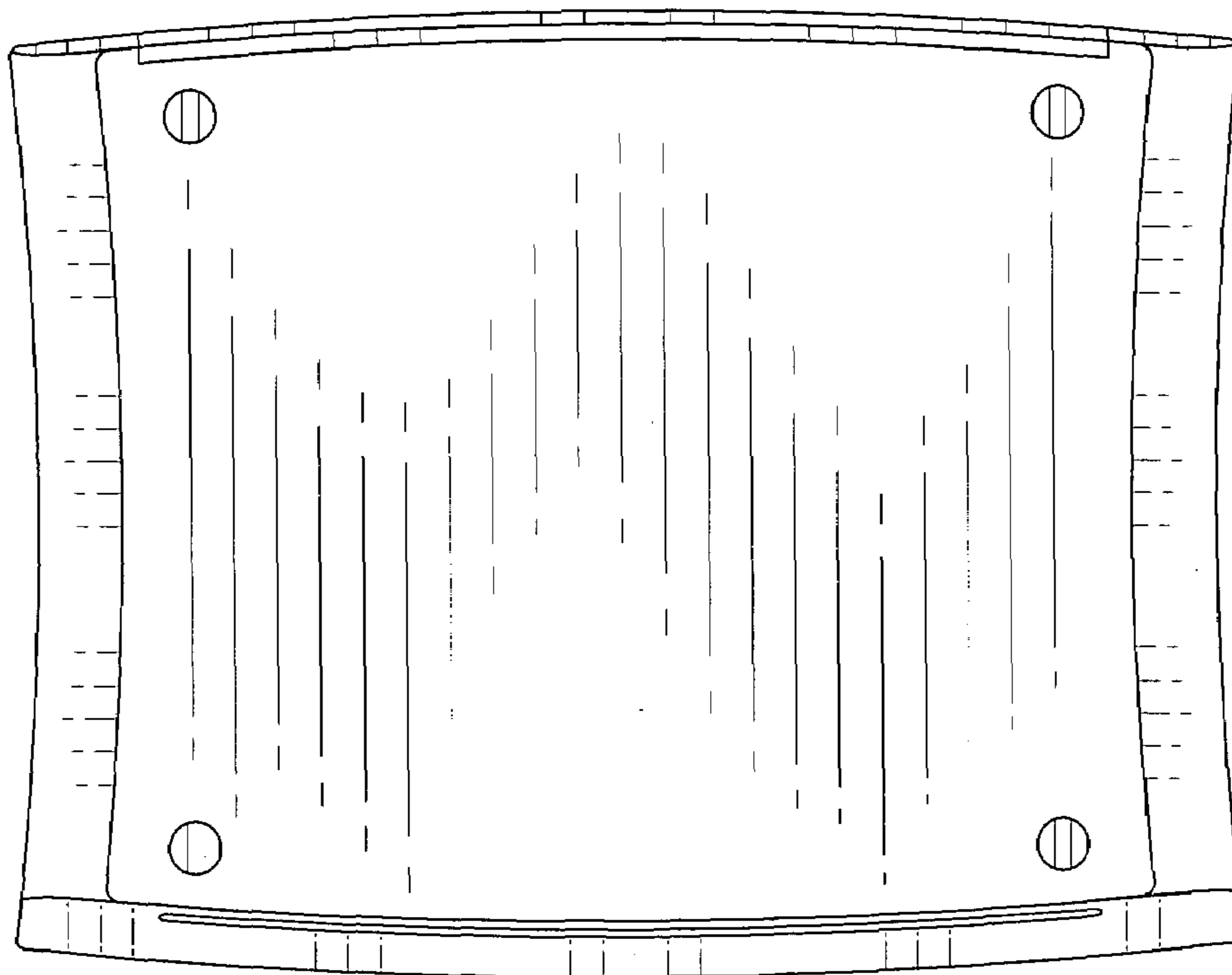


FIG.6

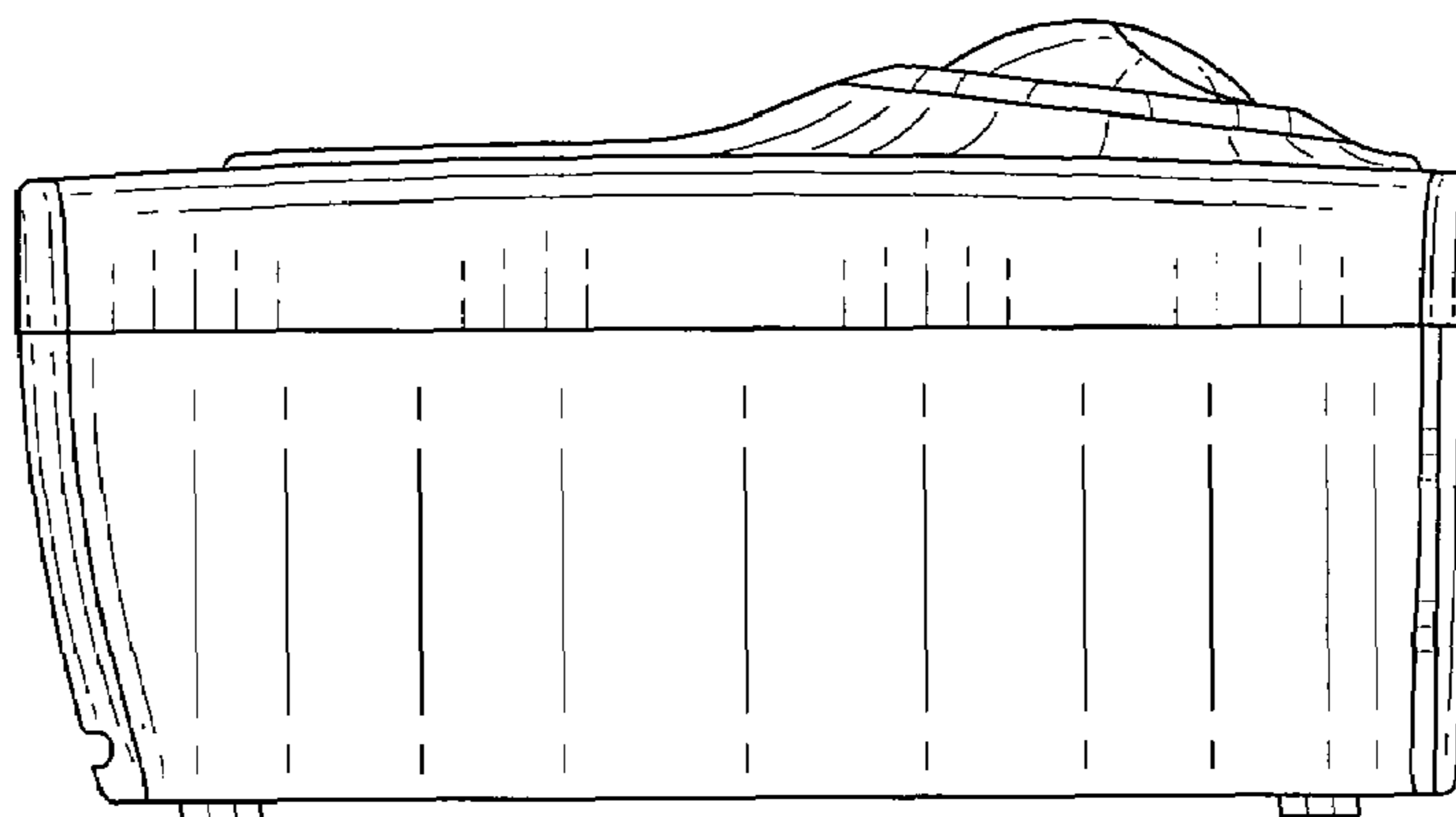


FIG. 7

