



US00D580962S

(12) **United States Design Patent**  
**Sukenari et al.**

(10) **Patent No.:** **US D580,962 S**

(45) **Date of Patent:** **\*\* Nov. 18, 2008**

(54) **IMAGE PICKUP APPARATUS**

(75) Inventors: **Kazuhiro Sukenari**, Nagoya (JP);  
**Hiroshi Yamakose**, Gifu (JP); **Tetsuro Kato**, Nagoya (JP); **Shinji Ono**, Nagoya (JP)

(73) Assignee: **Elmo Co., Ltd.**, Aichi (JP)

(\*\*) Term: **14 Years**

(21) Appl. No.: **29/268,834**

(22) Filed: **Nov. 14, 2006**

(30) **Foreign Application Priority Data**

May 18, 2006 (JP) ..... 2006-012498

(51) **LOC (8) Cl.** ..... **16-02**

(52) **U.S. Cl.** ..... **D16/232; D14/423**

(58) **Field of Classification Search** ..... D16/221,  
D16/225, 229, 232-233; D14/107, 423;  
353/119, 112, DIG. 3, DIG. 4, 122; 348/373,  
348/375-376; 396/428

See application file for complete search history.

(56) **References Cited**

**U.S. PATENT DOCUMENTS**

5,396,281	A *	3/1995	Maeda	.....	348/141
5,826,962	A *	10/1998	Rodriguez, Jr.	.....	353/82
D423,472	S *	4/2000	Adachi	.....	D14/423
D424,091	S *	5/2000	Oh	.....	D16/232
D425,098	S *	5/2000	Oh	.....	D16/232
D490,433	S *	5/2004	Moriya et al.	.....	D14/423

D494,995	S *	8/2004	Kim et al.	.....	D16/232
D498,782	S *	11/2004	Ooshima	.....	D16/235
D519,144	S *	4/2006	Kato et al.	.....	D16/232
2003/0076441	A1 *	4/2003	Maeda et al.	.....	348/375
2007/0146653	A1 *	6/2007	Sukenari et al.	.....	353/120
2007/0279519	A1 *	12/2007	Sukenari et al.	.....	348/373

\* cited by examiner

*Primary Examiner*—Adir Aronovich

*Assistant Examiner*—Wan Laymon

(74) *Attorney, Agent, or Firm*—William L. Androlia; H. Henry Koda

(57) **CLAIM**

The ornamental design for an image pickup apparatus, as shown and described.

**DESCRIPTION**

FIG. 1 is a front elevational view of the image pickup apparatus showing our new design,

FIG. 2 is a rear elevational view thereof;

FIG. 3 is a top plan view thereof;

FIG. 4 is a bottom plan view thereof;

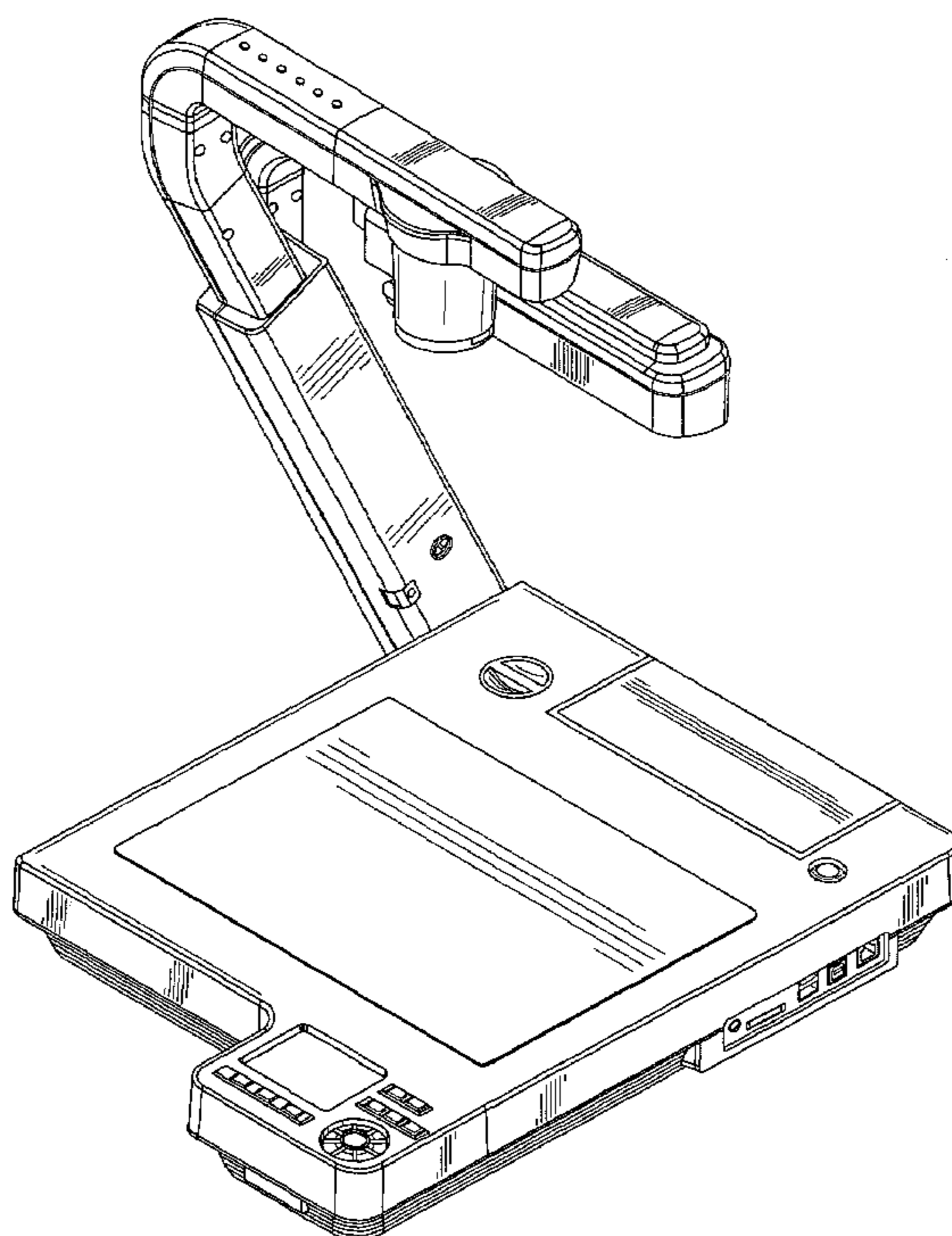
FIG. 5 is a right side elevational view thereof;

FIG. 6 is a left side elevational view thereof; and,

FIG. 7 is a perspective view taken from the front, top and right side of the image pickup apparatus.

The broken lines in the Figures are for illustrative purposes only and form no part of the claimed design.

**1 Claim, 7 Drawing Sheets**



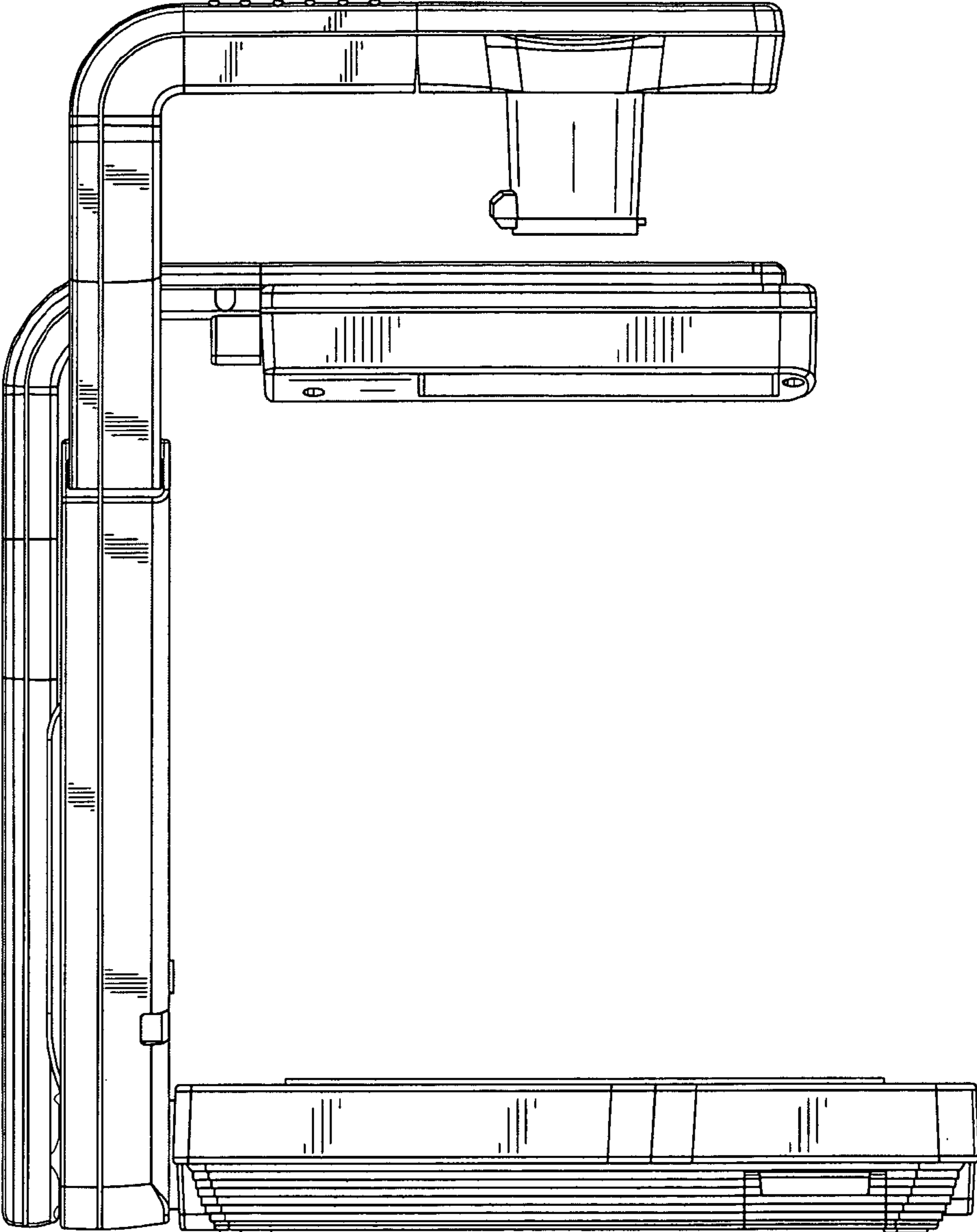


FIG. 1

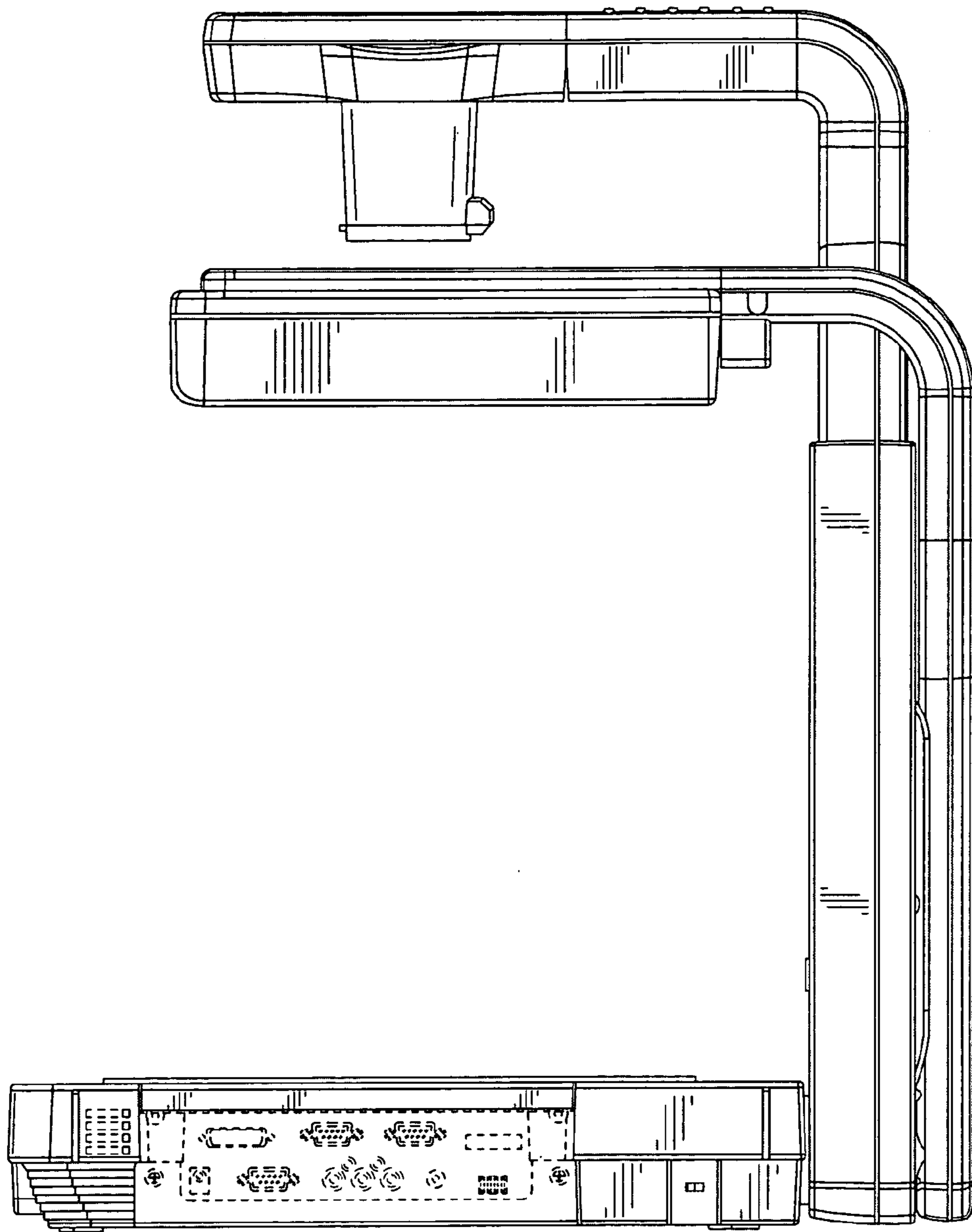


FIG. 2

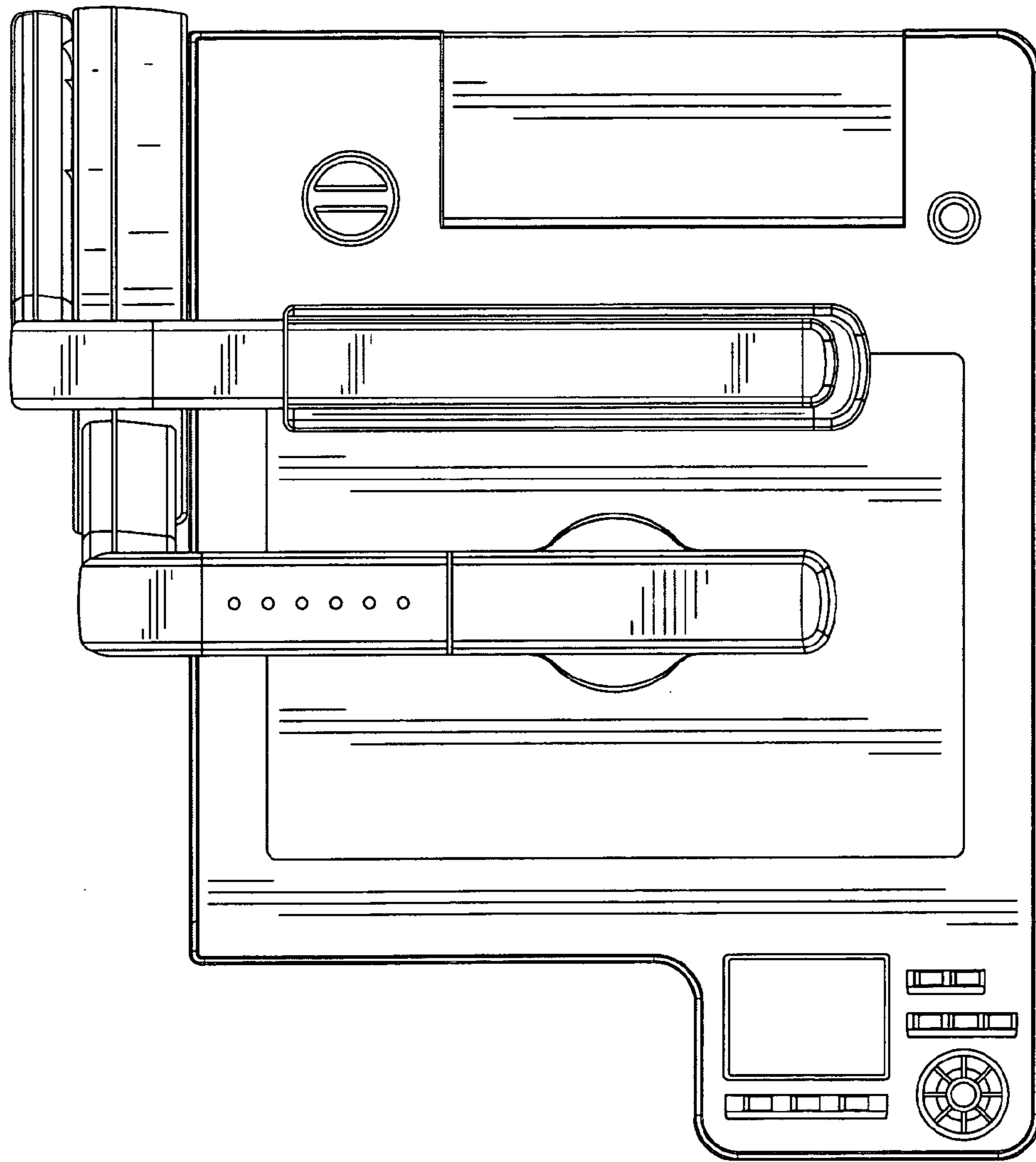


FIG. 3

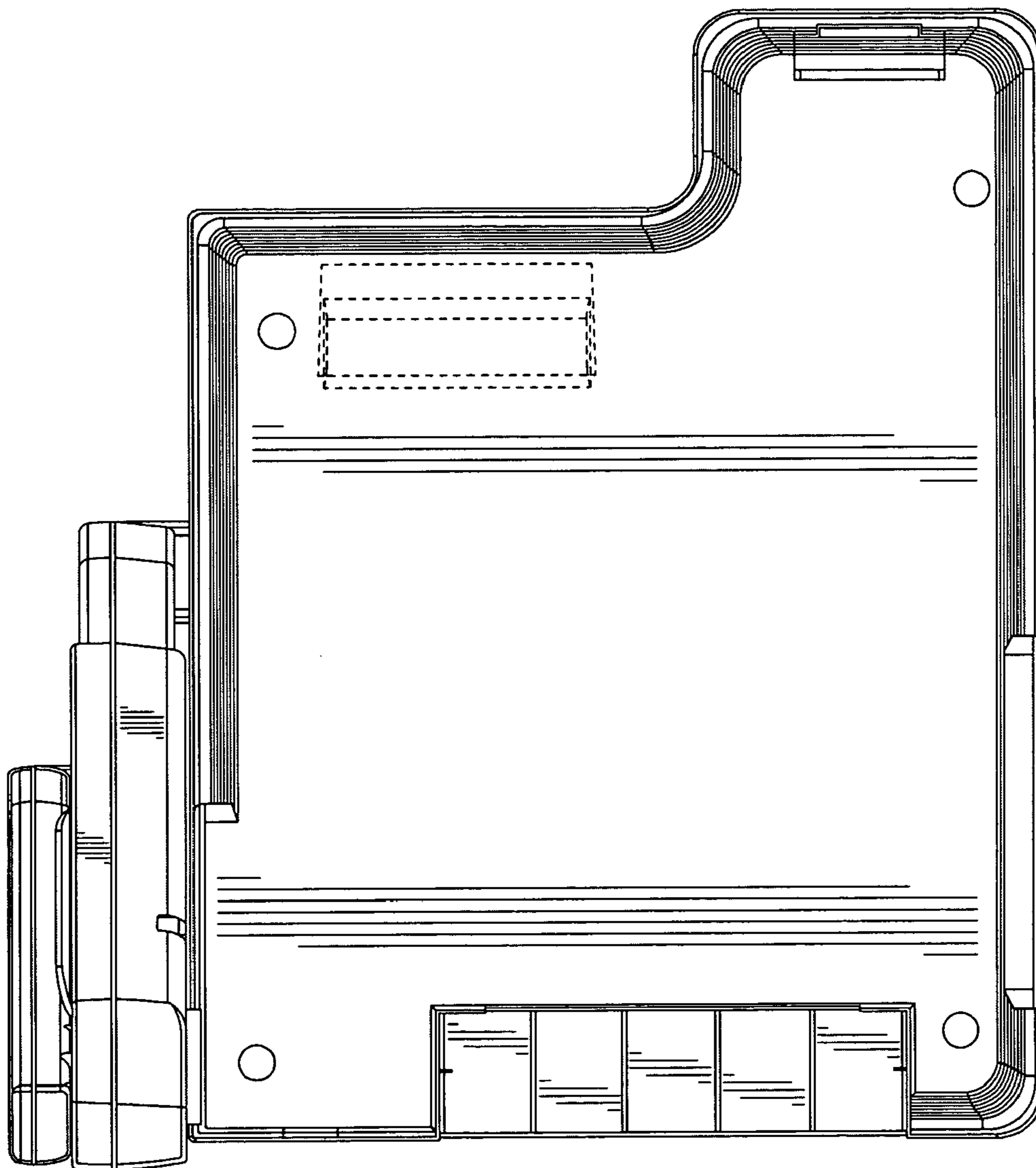


FIG. 4

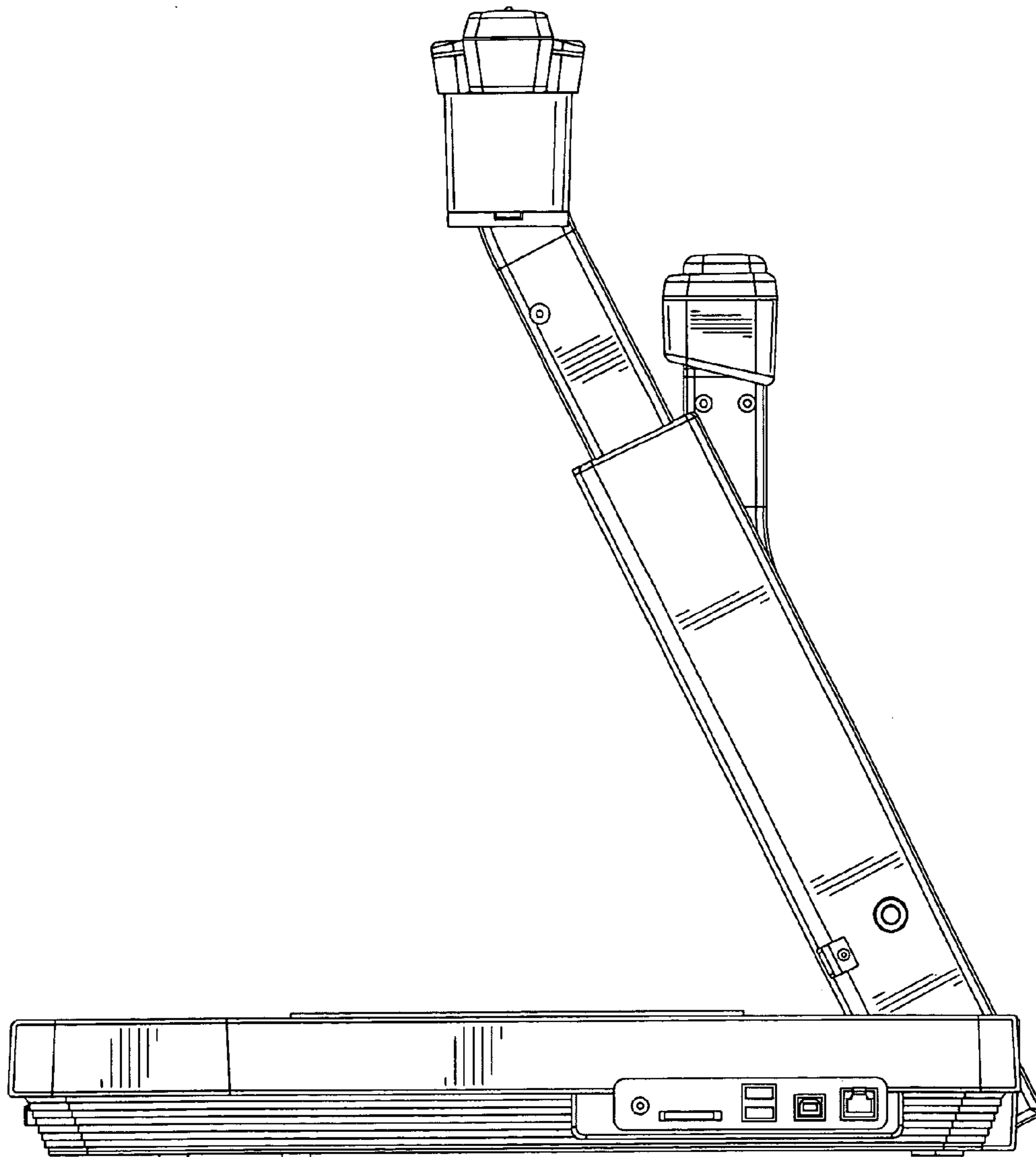


FIG. 5

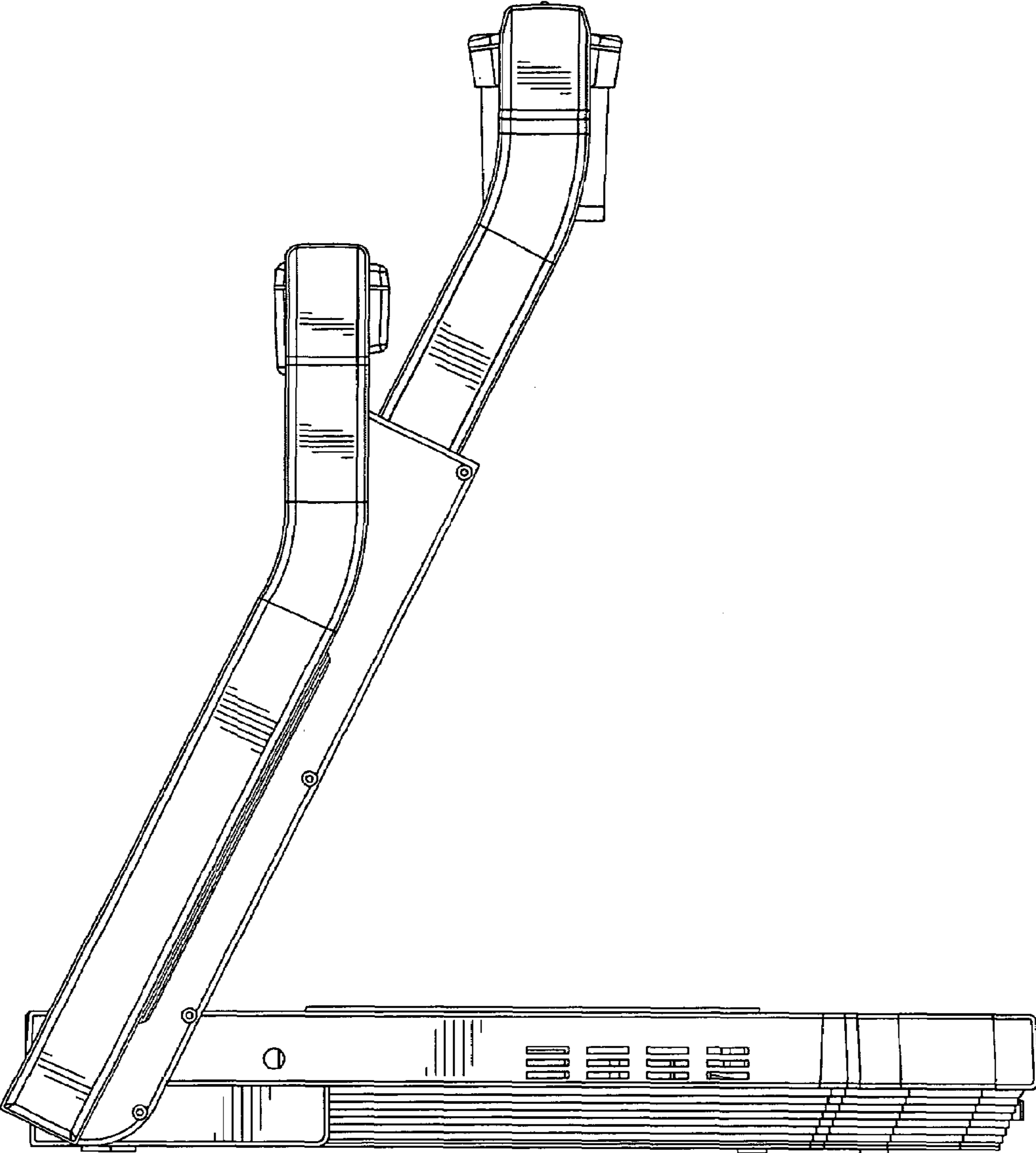


FIG. 6

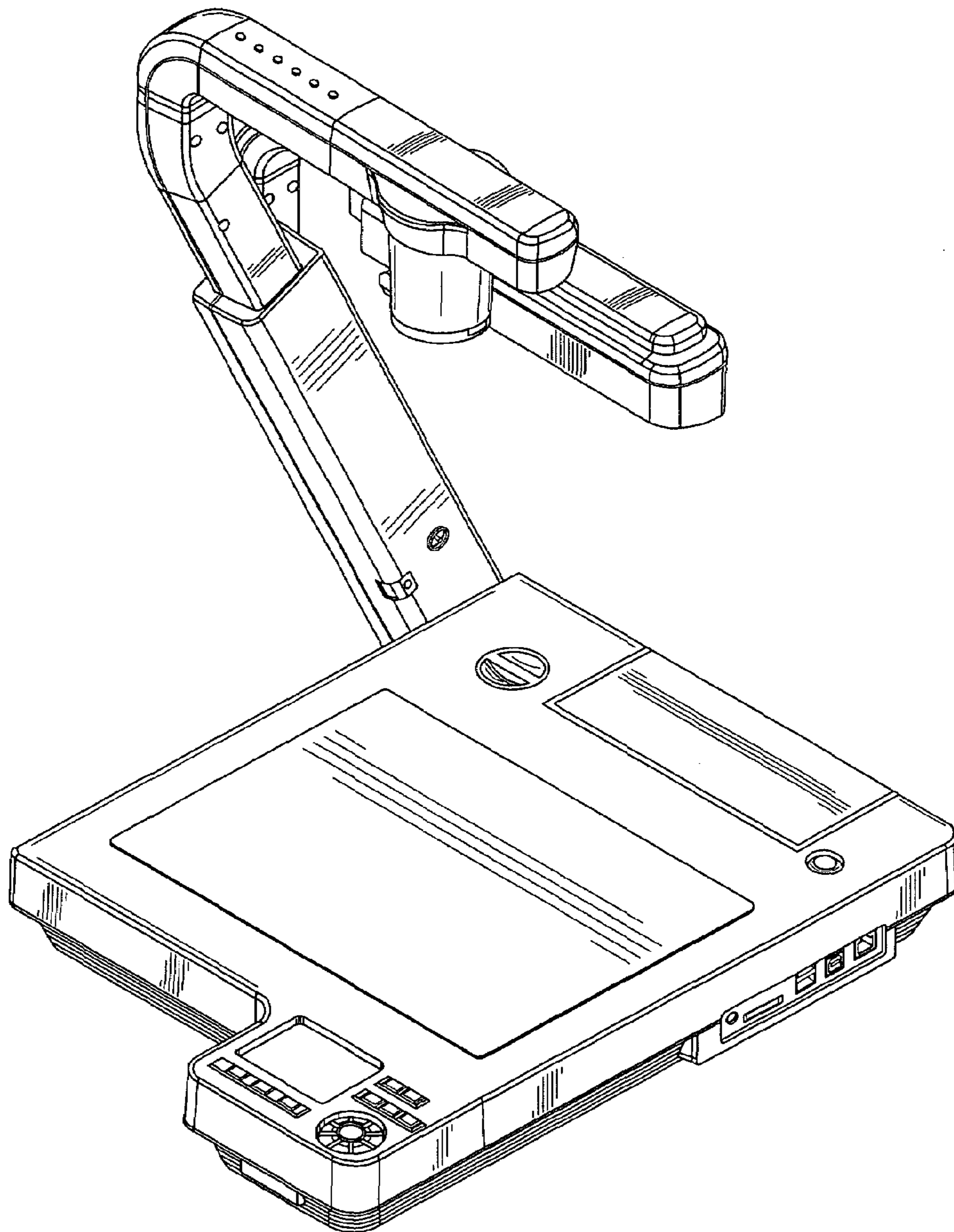


FIG. 7