



US00D580961S

(12) **United States Design Patent**
Ciccone, Jr. et al.

(10) **Patent No.:** **US D580,961 S**

(45) **Date of Patent:** **** Nov. 18, 2008**

(54) **FLASHLIGHT**

D522,031 S * 5/2006 Siu D16/132
D570,018 S * 5/2008 Ciccone et al. D26/37

(76) Inventors: **Ronald W. Ciccone, Jr.**, 62 Constance St., Bedford, NH (US) 03110; **Timothy R. Loring**, 4 Merlot Cir., Unit 4, Concord, NH (US) 03301

* cited by examiner

Primary Examiner—Ian Simmons
Assistant Examiner—Dana L Sipos

(**) Term: **14 Years**

(57) **CLAIM**

(21) Appl. No.: **29/296,912**

The ornamental design for a flashlight, as shown and described.

(22) Filed: **Oct. 31, 2007**

DESCRIPTION

(51) **LOC (8) Cl.** **16-06**

FIG. 1 is a top, rear, right side perspective view of a flashlight showing my new design;

(52) **U.S. Cl.** **D16/133**

FIG. 2 is a top, rear, left side perspective view thereof;

(58) **Field of Classification Search** D26/34, D26/37, 39, 51, 113, 120; D24/137, 150; D16/311, 133, 136; D29/103; D2/866, 875, D2/890–891; 362/103, 105–106, 253, 572, 362/804

FIG. 3 is a top, front, left side perspective view thereof;

FIG. 4 is a top, front, right side perspective view thereof;

See application file for complete search history.

FIG. 5 is a bottom, front, right side perspective view thereof;

FIG. 6 is a bottom, rear, left side perspective view thereof; and,

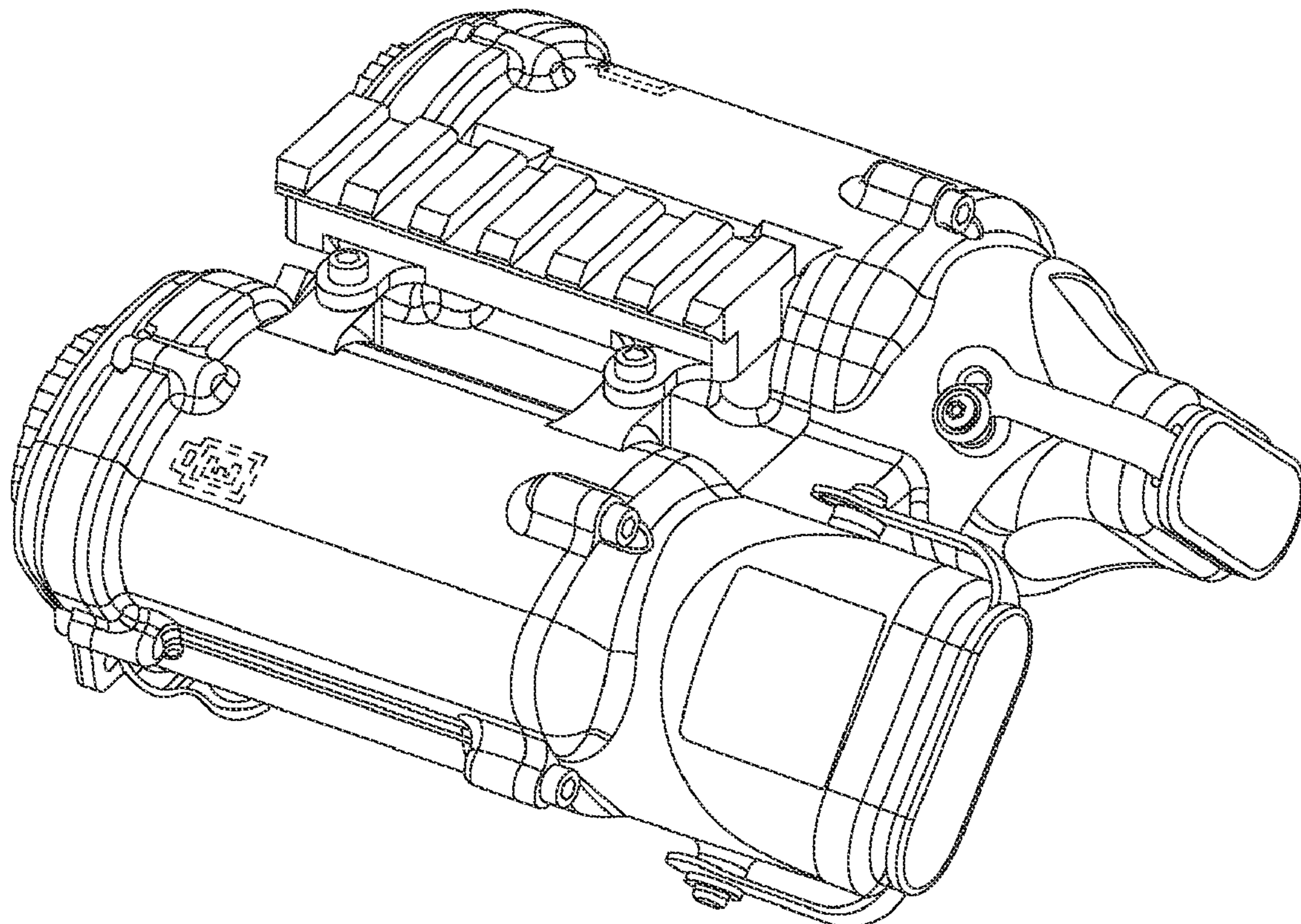
(56) **References Cited**

U.S. PATENT DOCUMENTS

D518,498 S * 4/2006 Reed et al. D16/132
D520,042 S * 5/2006 Kimura et al. D16/133

FIG. 7 is a top, rear, right side perspective view thereof, shown with the lens caps removed.

1 Claim, 7 Drawing Sheets



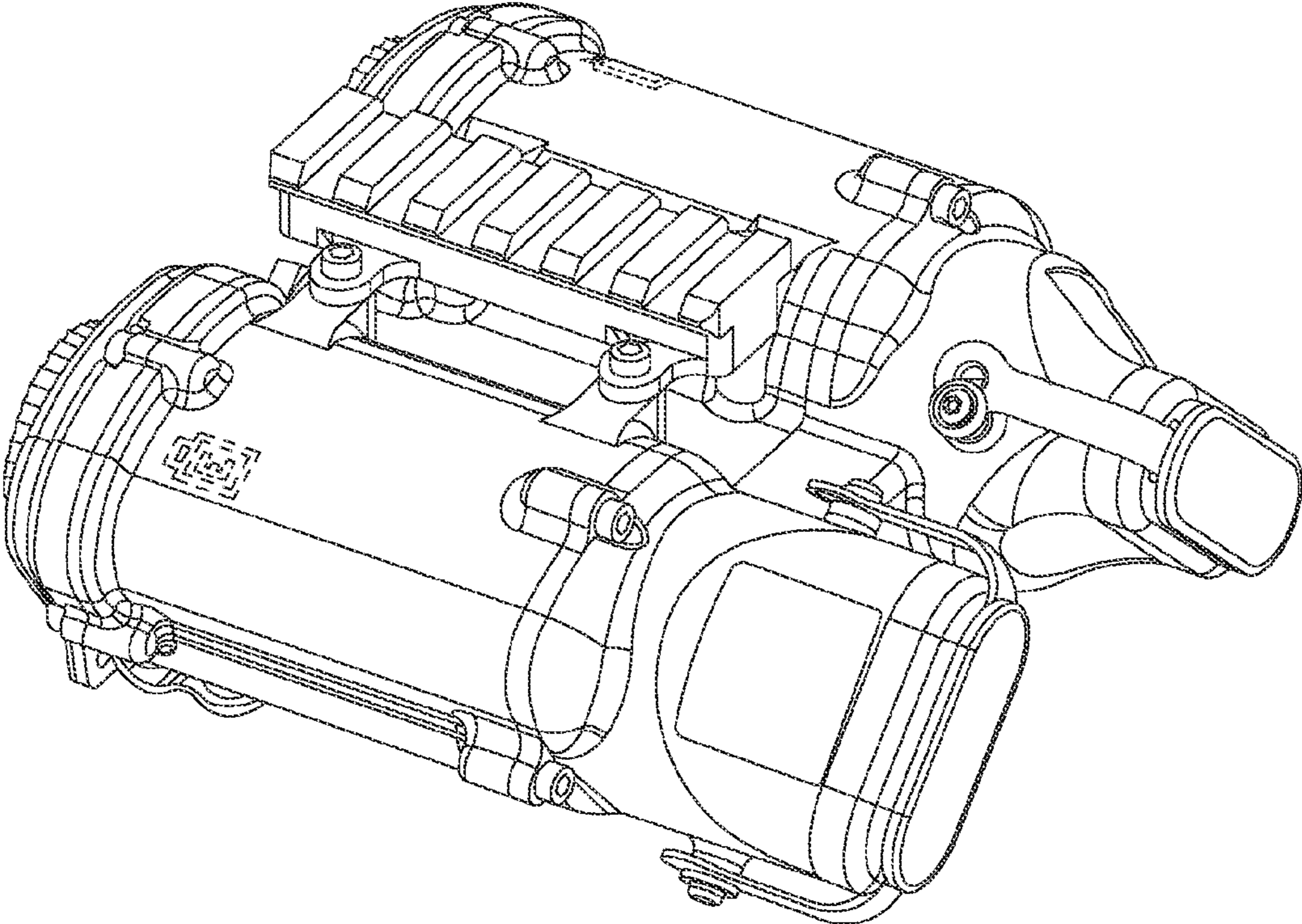


FIG. 1

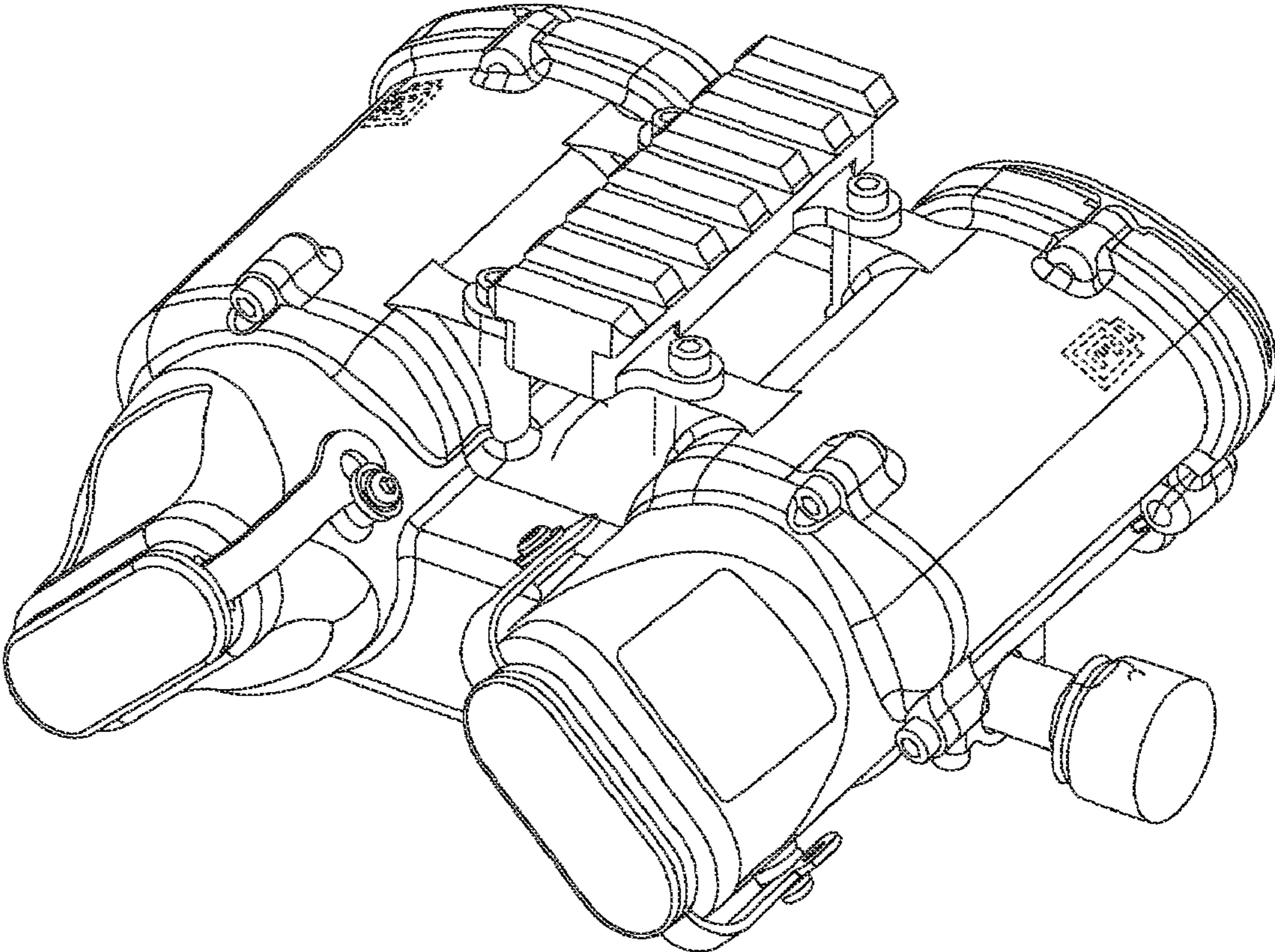


FIG. 2

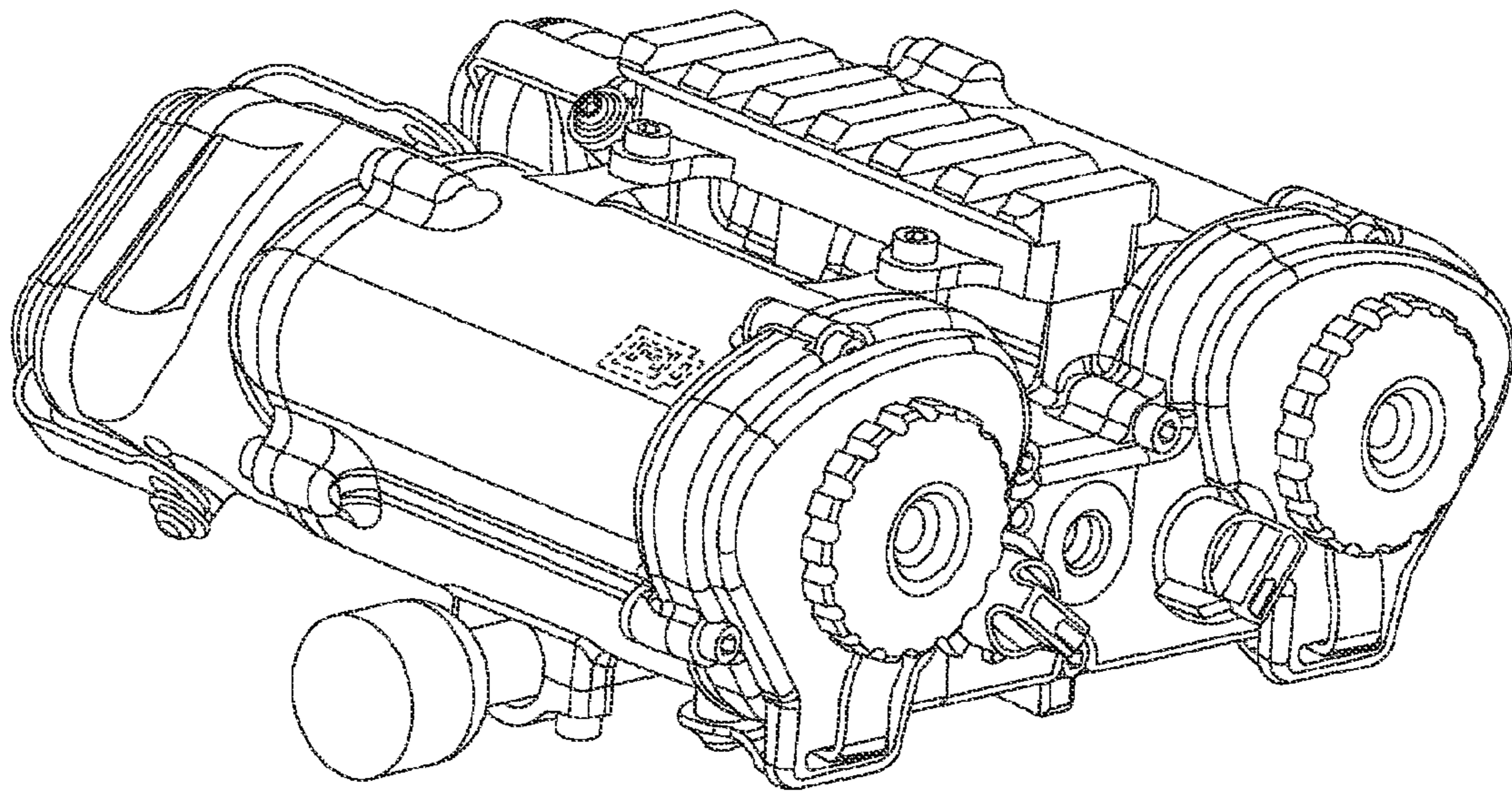


FIG. 3

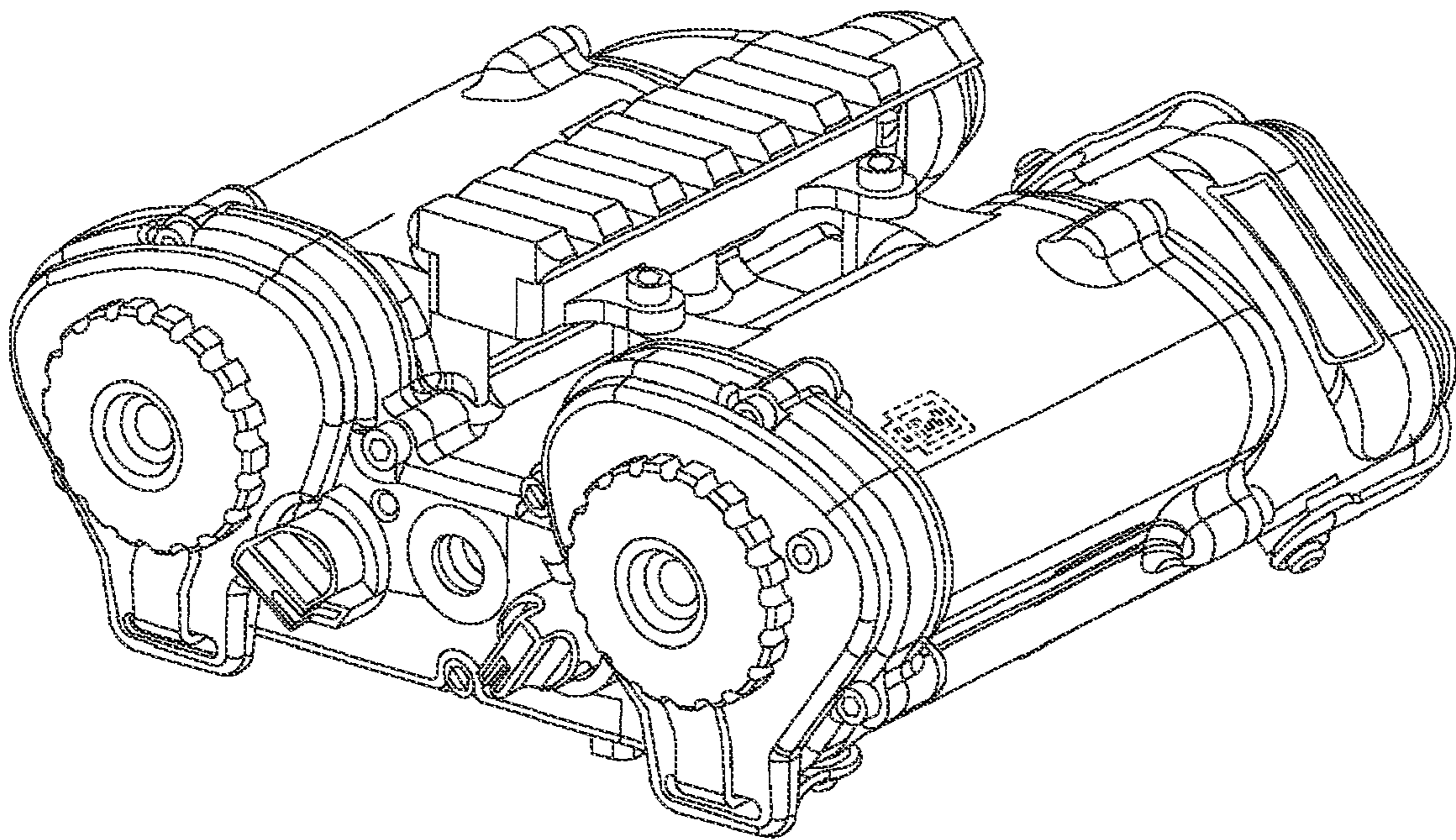


FIG. 4

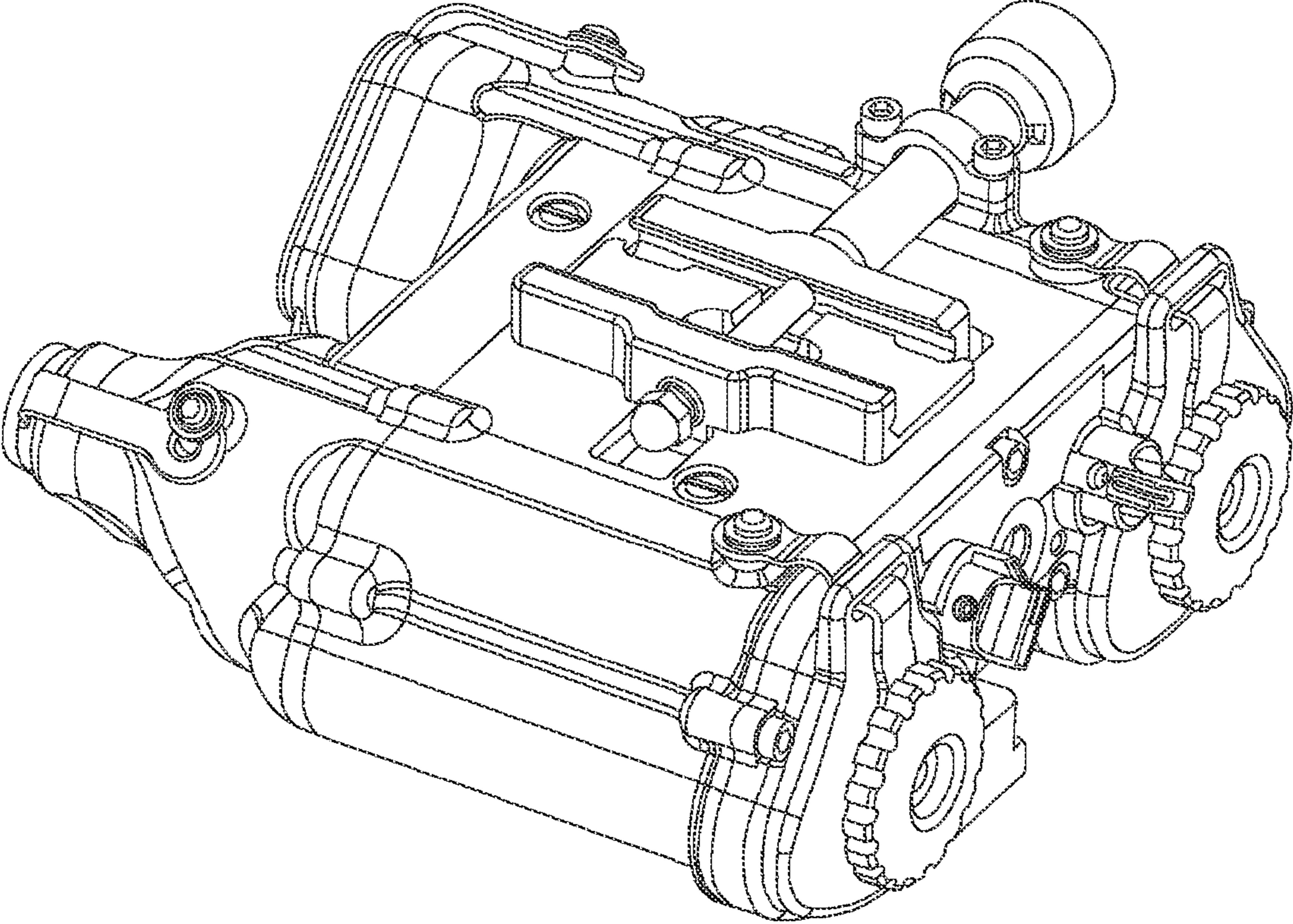


FIG. 5

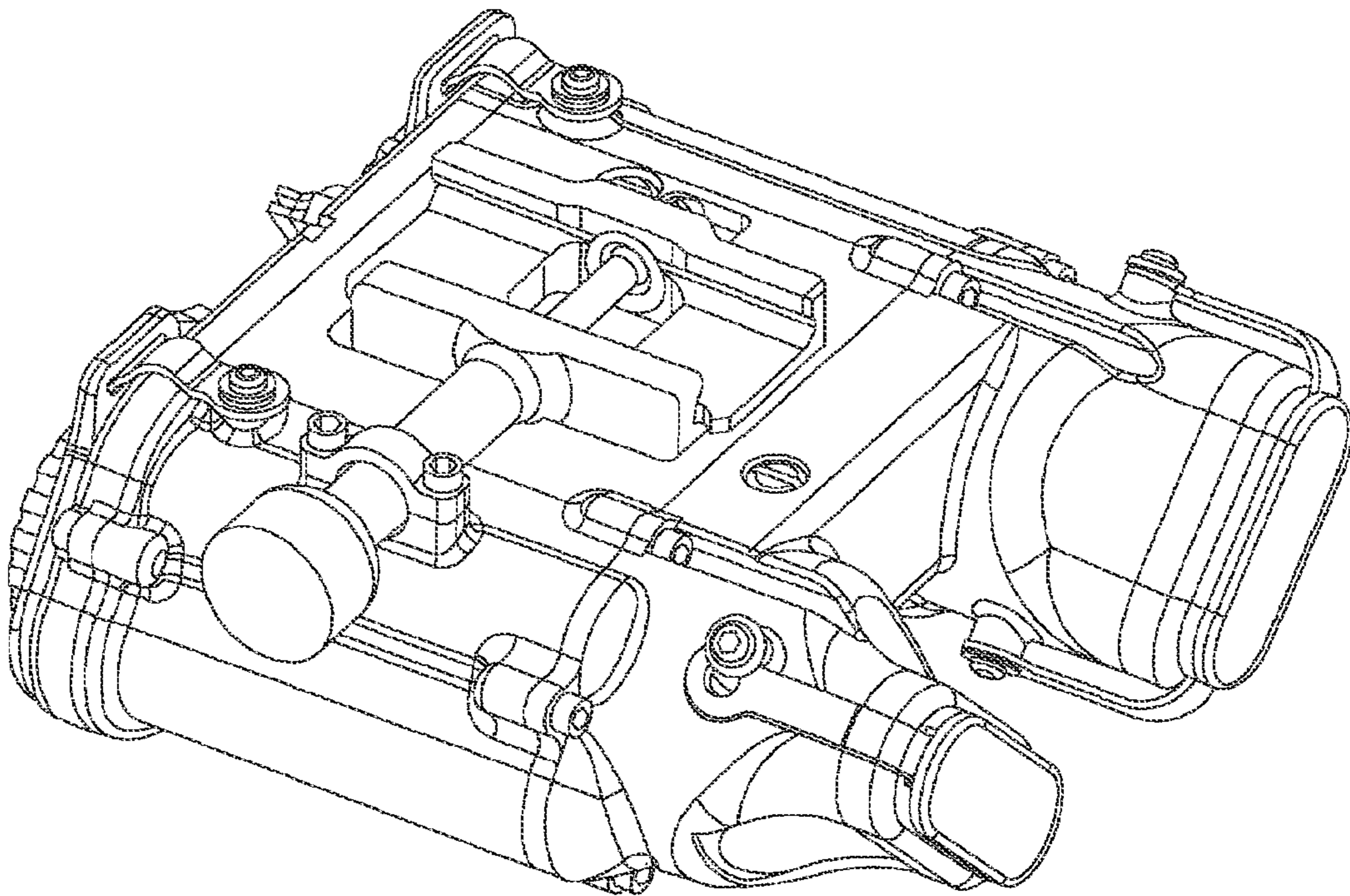


FIG. 6

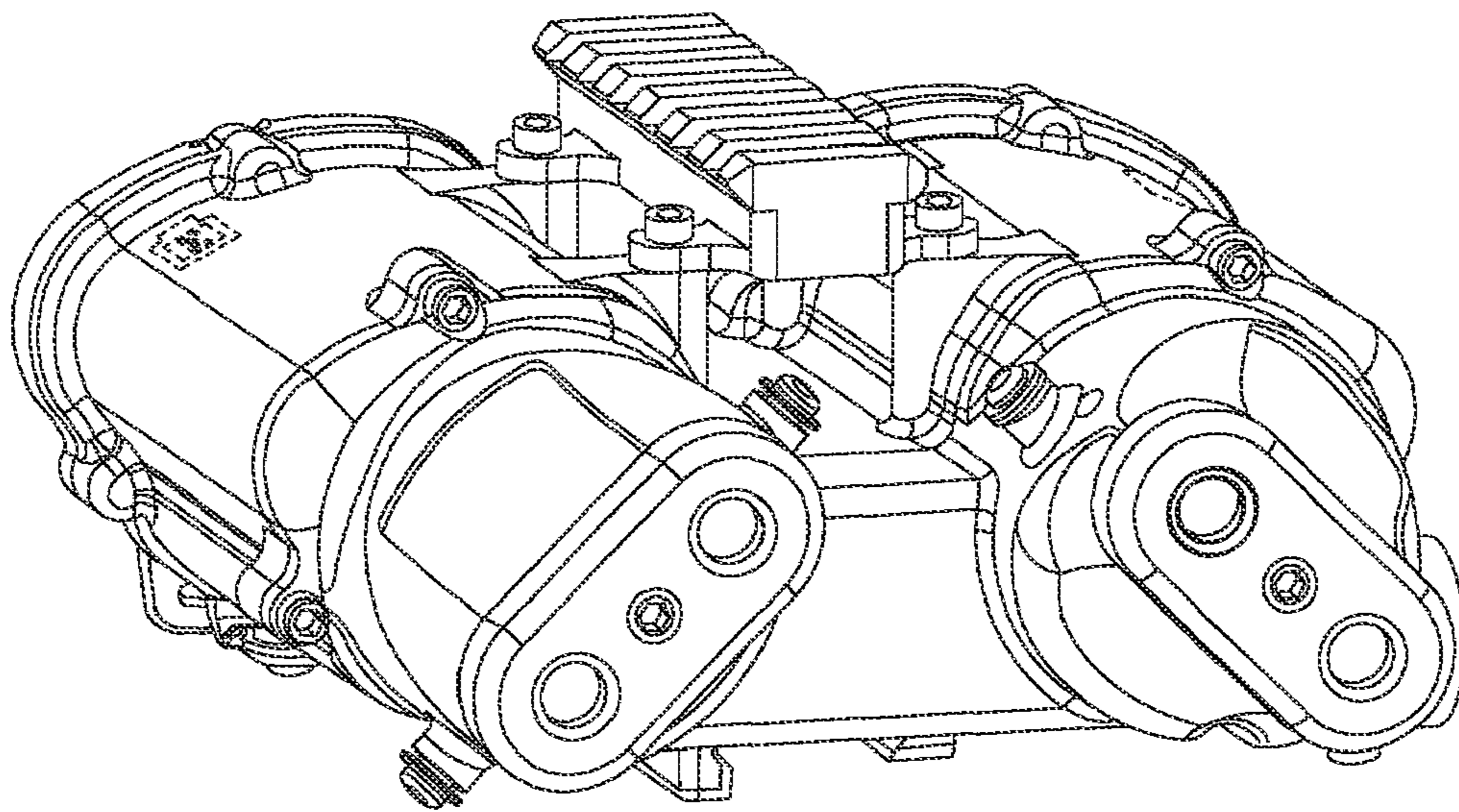


FIG. 7