



US00D580960S

(12) **United States Design Patent**
Yamaguchi et al.

(10) **Patent No.:** **US D580,960 S**

(45) **Date of Patent:** **** Nov. 18, 2008**

(54) **NOZZLE FOR PLASMA CUTTING MACHINE**

(75) Inventors: **Yoshihiro Yamaguchi**, Nomi (JP);
Kazuhiro Kuraoka, Nomi (JP)

(73) Assignee: **Komatsu Industries Corporation**,
Ishikawa (JP)

(**) Term: **14 Years**

(21) Appl. No.: **29/300,890**

(22) Filed: **May 27, 2008**

(30) **Foreign Application Priority Data**

Apr. 24, 2008 (JP) 2008-010514

(51) **LOC (8) Cl.** **15-09**

(52) **U.S. Cl.** **D15/144**

(58) **Field of Classification Search** D8/70,
D8/71; D15/144, 144.1, 144.2; 219/76,
219/121.4–121.5, 121.47, 121.48, 121.51,
219/121.52, 121.57

See application file for complete search history.

(56) **References Cited**

U.S. PATENT DOCUMENTS

5,060,983 A * 10/1991 Lee 285/39
D362,860 S * 10/1995 Carkhuff D15/144
D365,345 S * 12/1995 Carkhuff D15/144
D366,051 S * 1/1996 Lewis et al. D15/138
D369,648 S * 5/1996 Fowler D23/213
D379,577 S * 6/1997 Carkhuff D8/30
D391,825 S * 3/1998 Larson D8/303
5,726,415 A * 3/1998 Luo et al. 219/121.48
5,747,767 A * 5/1998 Severance et al. 219/121.5
D402,298 S * 12/1998 Hidaka D15/144
D405,342 S * 2/1999 Thompson D8/303
D407,728 S * 4/1999 Miyamoto D16/134
D428,652 S * 7/2000 Frezel et al. D24/152
D441,295 S * 5/2001 Krich D9/542
D445,301 S * 7/2001 Levie D7/395
D446,231 S * 8/2001 Kuraoka et al. D15/144
D446,530 S * 8/2001 Kuraoka et al. D15/144
D451,113 S * 11/2001 Shintani et al. D15/144

6,318,410 B1 * 11/2001 Miyajima et al. 138/109
D453,292 S * 2/2002 Tsuzuki D8/300
D456,362 S * 4/2002 Lee D13/154
D478,141 S * 8/2003 Huang D21/756
D497,373 S * 10/2004 Hewett et al. D15/144
D499,124 S * 11/2004 Kuraoka et al. D15/144
D500,064 S * 12/2004 Kuraoka et al. D15/144
D506,764 S * 6/2005 Kuraoka et al. D15/144
D517,577 S * 3/2006 Conway et al. D15/144
D519,137 S * 4/2006 Furujo et al. D15/144
D522,026 S * 5/2006 Colson, Jr. D15/144
D526,383 S * 8/2006 Byerly D23/209
D527,401 S * 8/2006 Mizuno et al. D15/144
2002/0125220 A1 * 9/2002 Augeraud et al. 219/121.5
2002/0145260 A1 * 10/2002 Komine et al. 279/20
2004/0079735 A1 * 4/2004 Kinerson et al. 219/121.48
2004/0169018 A1 * 9/2004 Brasseur et al. 415/110

FOREIGN PATENT DOCUMENTS

JP 1098824(S) 1/2001
JP 1209868(S) 6/2004

* cited by examiner

Primary Examiner—Sandra Snapp

Assistant Examiner—Patricia Palasik

(74) *Attorney, Agent, or Firm*—Manabu Kanesaka

(57) **CLAIM**

The ornamental design for a nozzle for plasma cutting machine, as shown and described.

DESCRIPTION

FIG. 1 is a perspective view of a nozzle for plasma cutting machine showing our new design;

FIG. 2 is a front view thereof, a rear view being symmetrical to the front view;

FIG. 3 is a right side view thereof, a left side view being the same as the right side view;

FIG. 4 is a bottom plan view thereof;

FIG. 5 is a top plan view thereof; and,

FIG. 6 is a sectional view thereof taken along line 6—6 in FIG. 2.

1 Claim, 3 Drawing Sheets

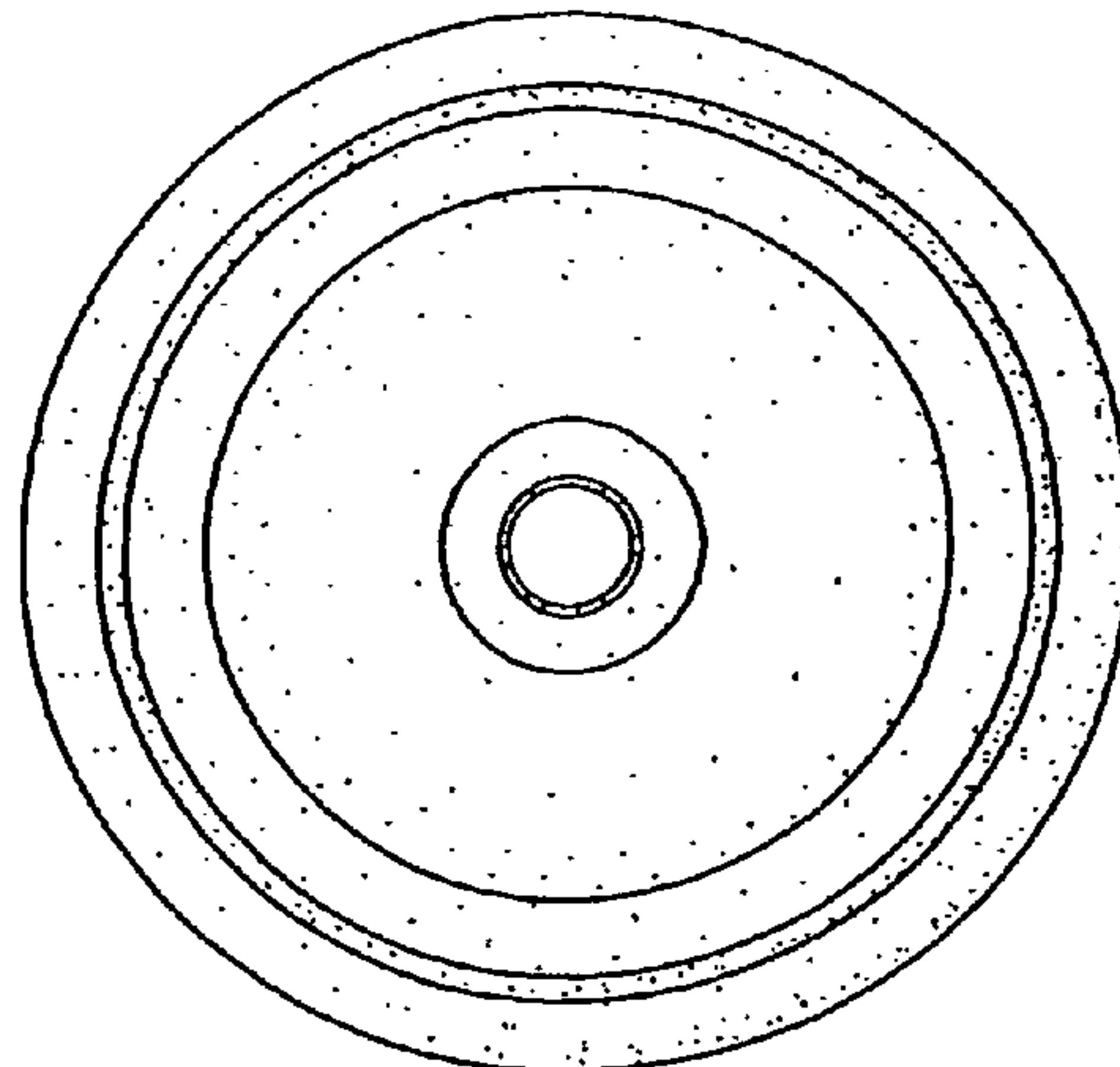


Fig. 1

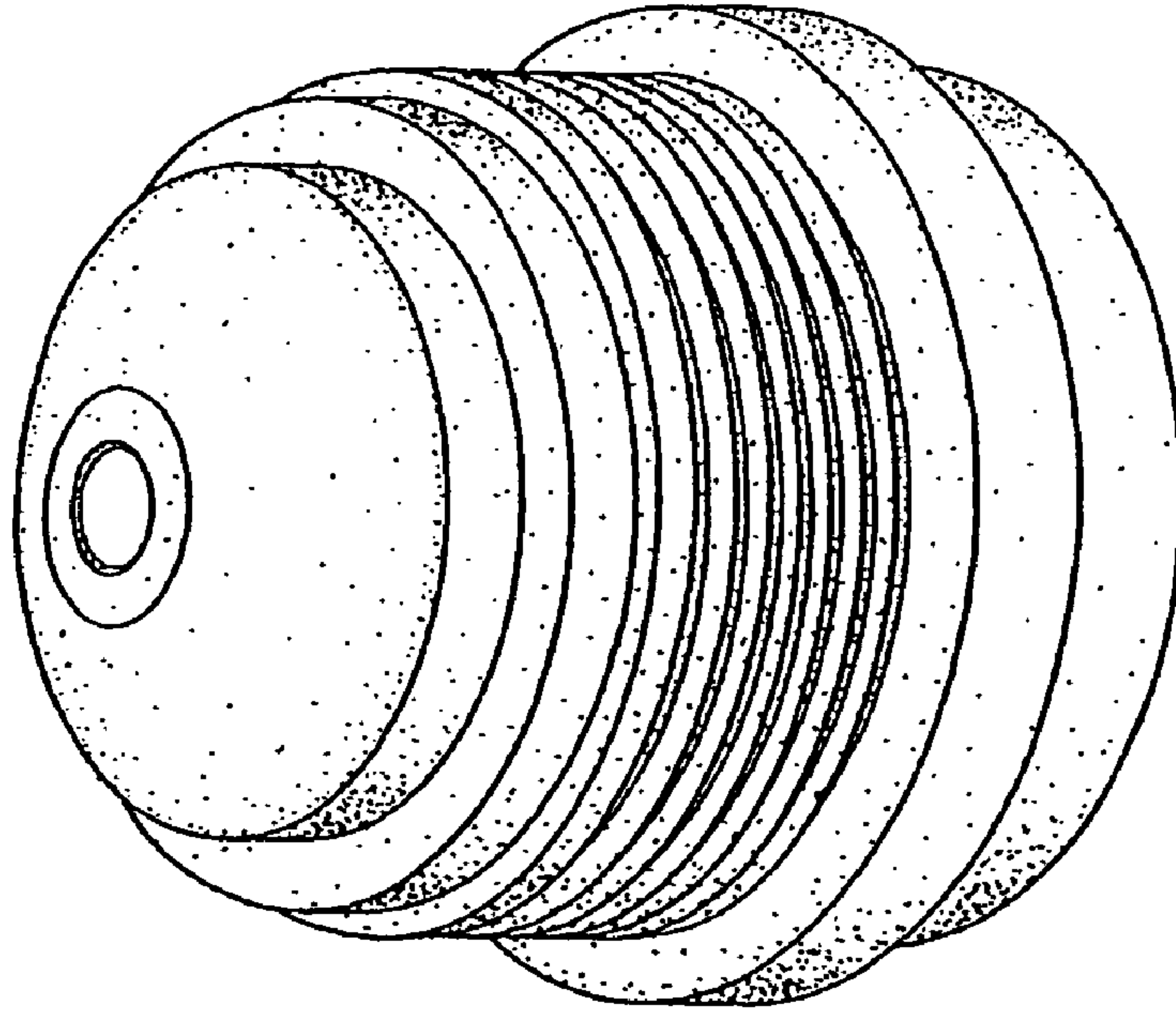


Fig. 2

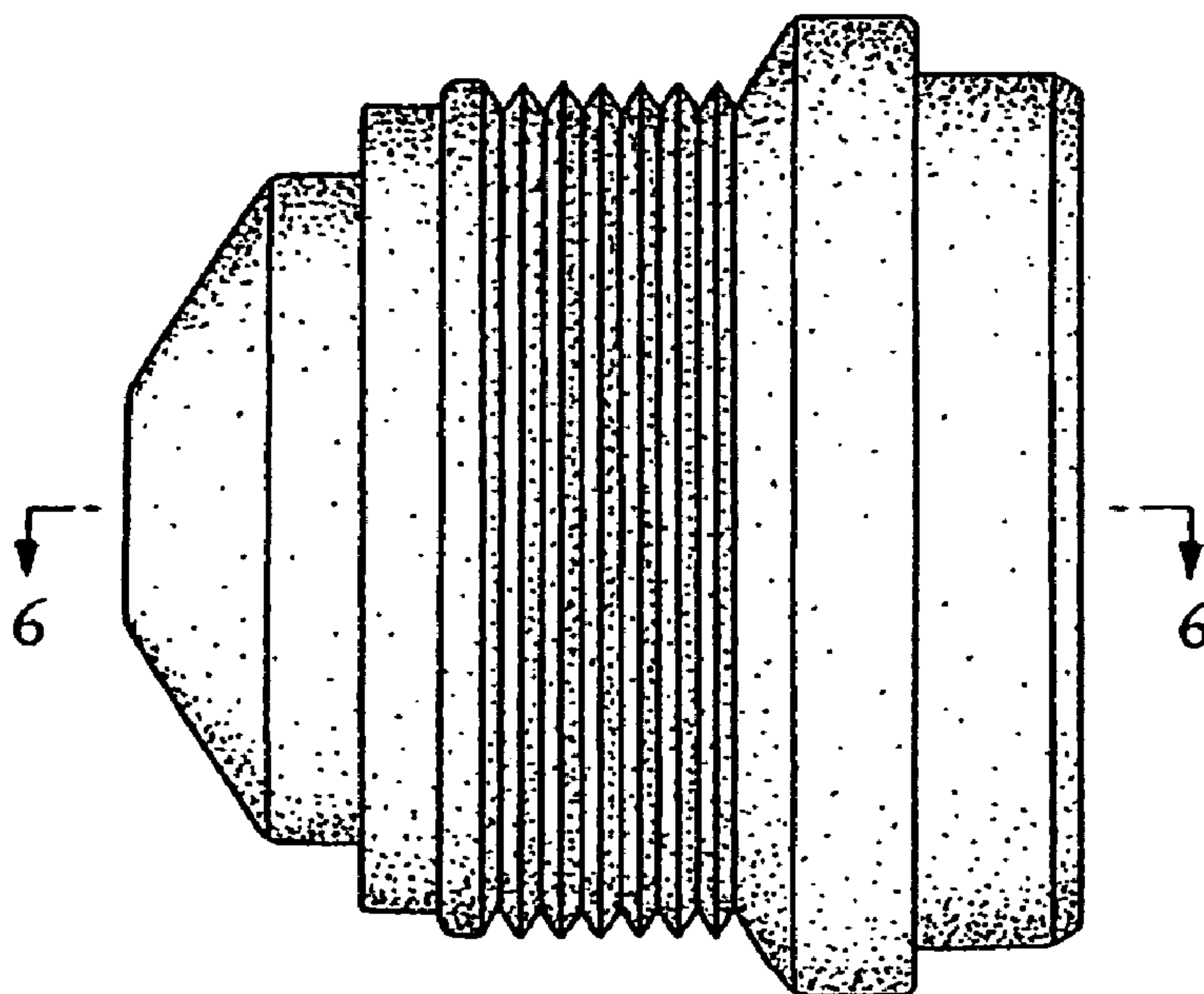


Fig. 3

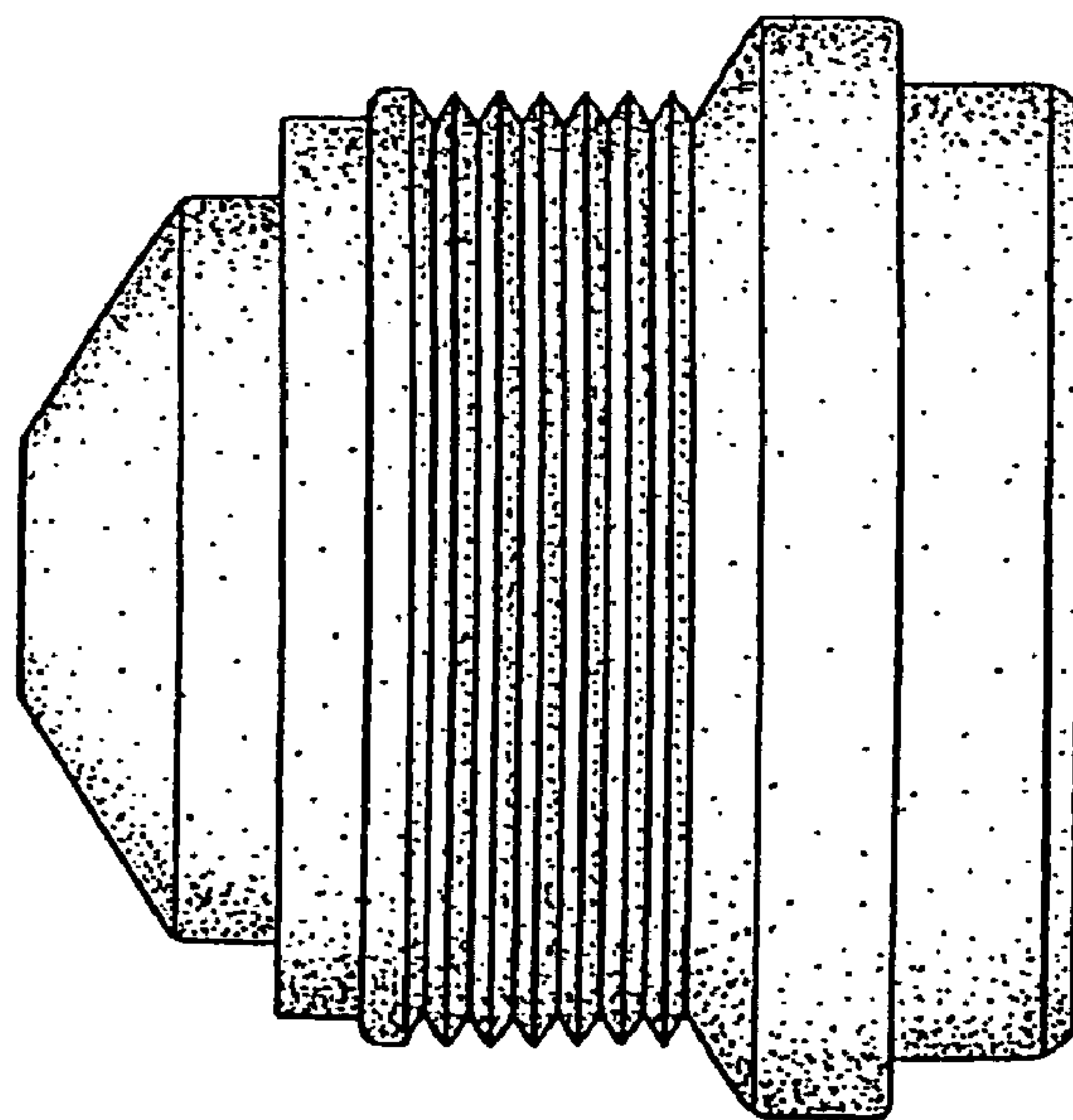


Fig. 4

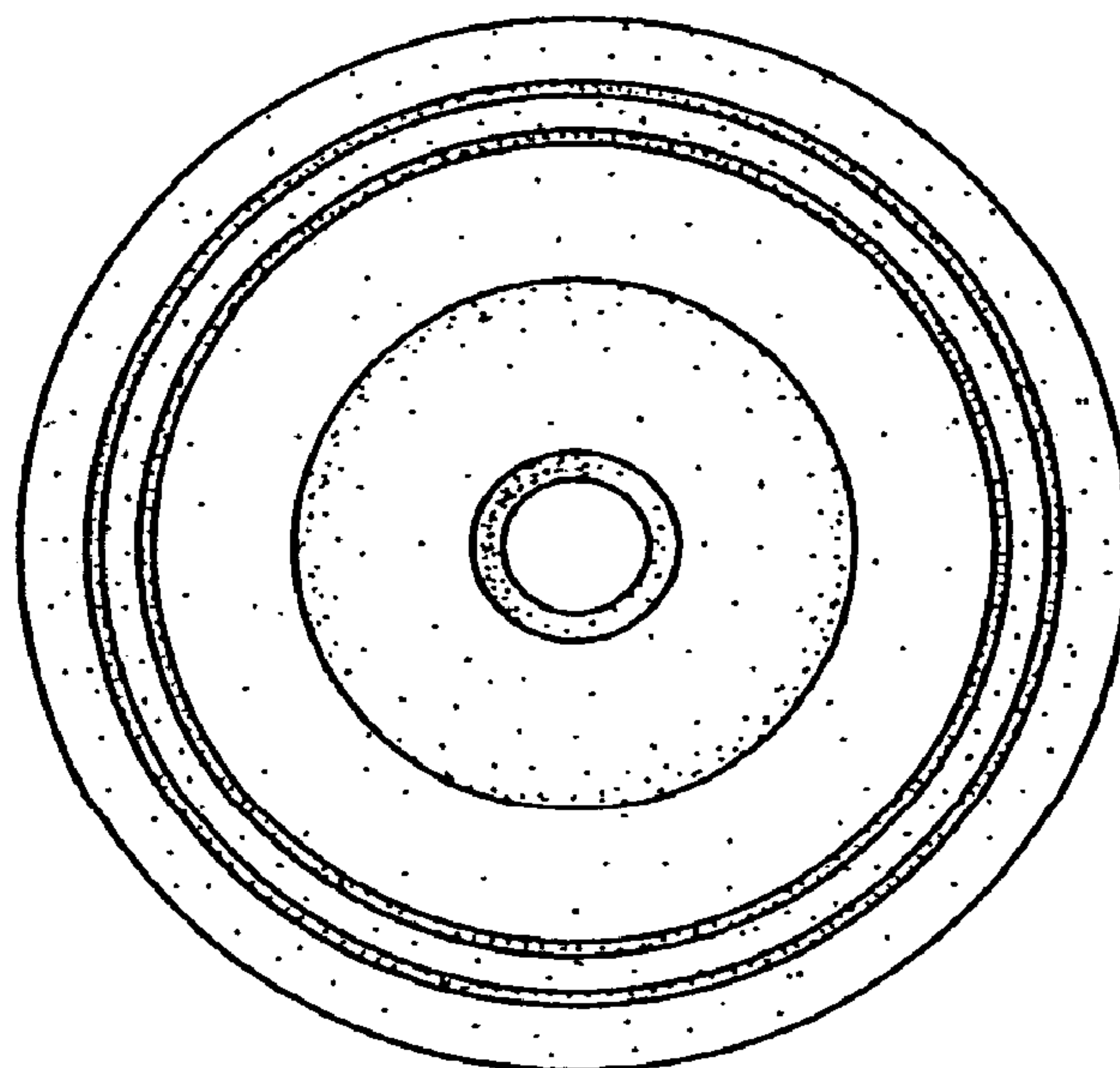


Fig. 5

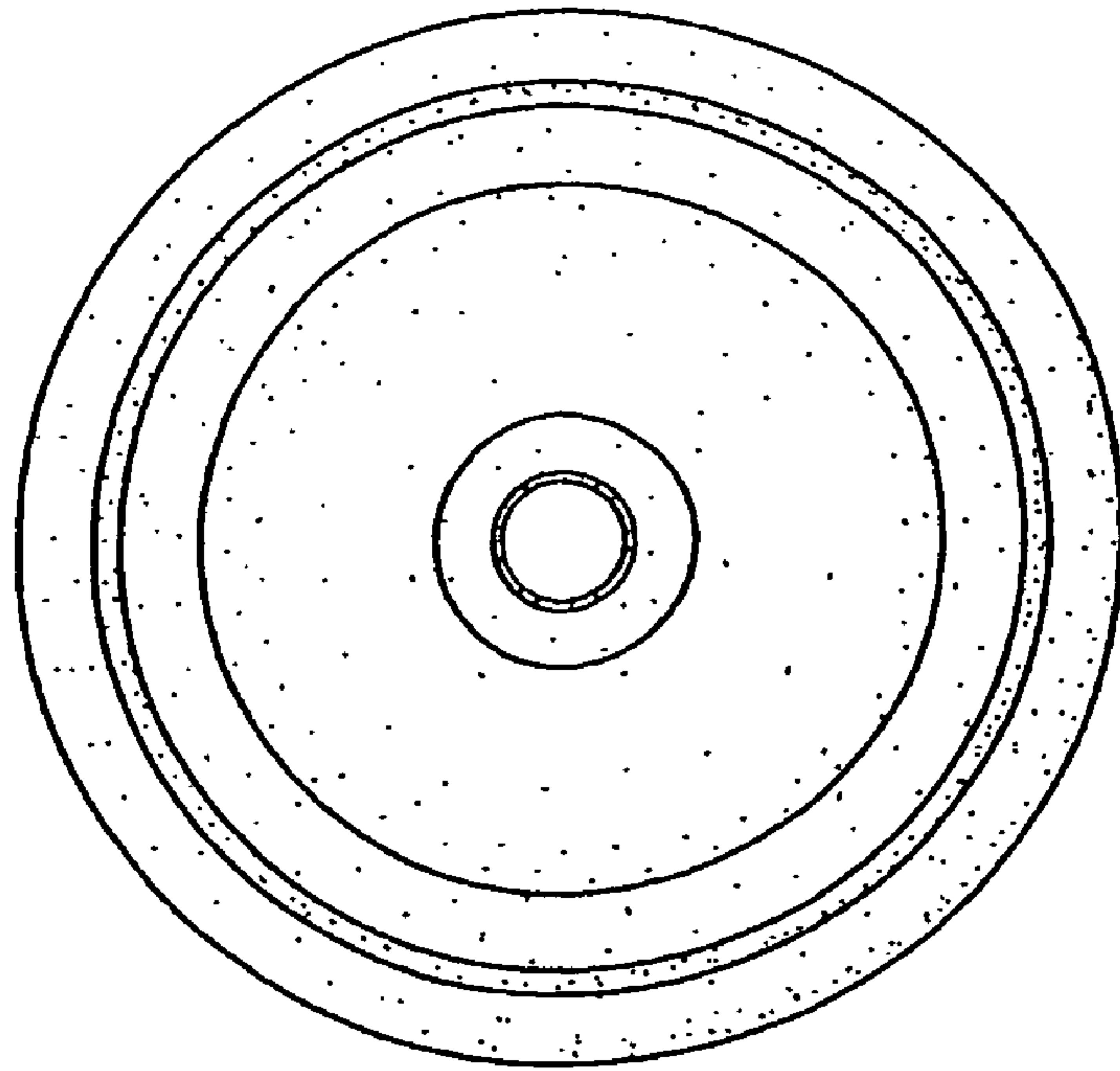


Fig. 6

