



US00D580958S

(12) **United States Design Patent**
Thew

(10) **Patent No.:** **US D580,958 S**

(45) **Date of Patent:** **** Nov. 18, 2008**

(54) **HYDROPAC TERTIARY DOORS**

(76) **Inventor:** **Peter Thew**, Blk 25 Hazel Park Terrace
#01-02 Hazel Park Condominium,
Singapore (SG) 678948

(**) **Term:** **14 Years**

(21) **Appl. No.:** **29/260,834**

(22) **Filed:** **Jun. 2, 2006**

(30) **Foreign Application Priority Data**

Dec. 6, 2005 (SG) D2005/2168/F

(51) **LOC (8) Cl.** **15-09**

(52) **U.S. Cl.** **D15/138**

(58) **Field of Classification Search** D15/70,
D15/122, 138, 139, 140, 144, 199; 141/1,
141/286; 219/421, 424, 544; 239/223, 224,
239/225, 665, 668, 673, 681, 682, 687; 264/328.14,
264/328.15; 422/219; 425/549, 550, DIG. 13
See application file for complete search history.

(56) **References Cited**

U.S. PATENT DOCUMENTS

4,424,837 A * 1/1984 Farrell 141/284
4,437,613 A * 3/1984 Olson 239/688
4,972,884 A * 11/1990 Souers et al. 141/1
5,280,813 A * 1/1994 Jackson 141/4
5,296,202 A * 3/1994 Souers et al. 422/219

5,421,379 A * 6/1995 Geiser 141/1
5,687,780 A * 11/1997 Minami 141/286
5,746,258 A * 5/1998 Huck 141/67
5,755,837 A * 5/1998 Beierle et al. 48/76

* cited by examiner

Primary Examiner—Sandra Snapp
Assistant Examiner—Patricia Palasik
(74) *Attorney, Agent, or Firm*—Heller Ehrman LLP

(57) **CLAIM**

The ornamental design for hydropac tertiary doors, as shown and described.

DESCRIPTION

FIG. 1 is a top perspective view of the hydropac tertiary doors, showing the design.

FIG. 2 is a front view of the hydropac tertiary doors of FIG. 1.

FIG. 3 is a rear view of the hydropac tertiary doors of FIG. 1.

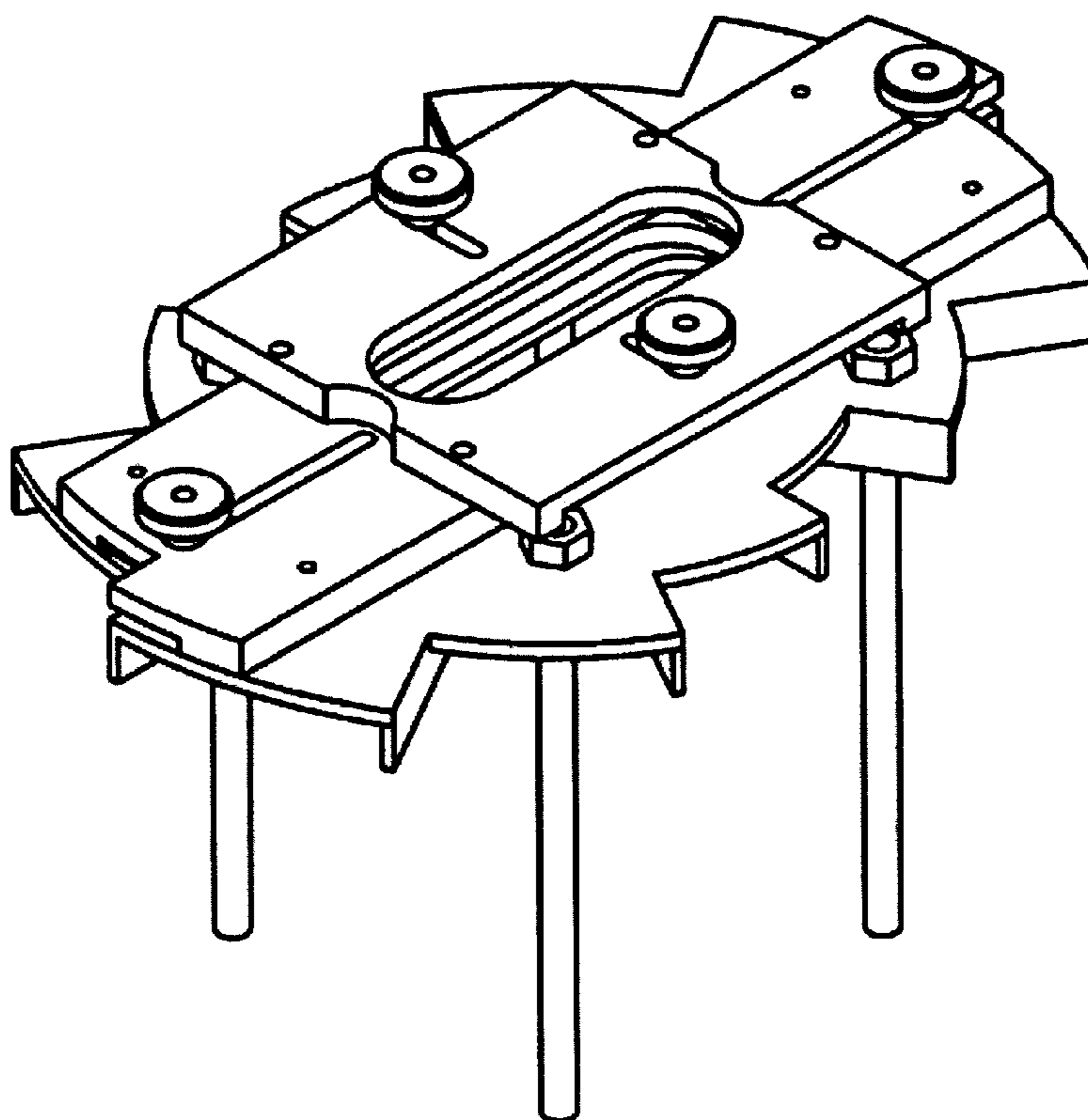
FIG. 4 is a right side view of the hydropac tertiary doors of FIG. 1.

FIG. 5 is a left side view of the hydropac tertiary doors of FIG. 1.

FIG. 6 is a bottom view of the hydropac tertiary doors of FIG. 1; and,

FIG. 7 is a top view of the hydropac tertiary doors of FIG. 1.

1 Claim, 7 Drawing Sheets



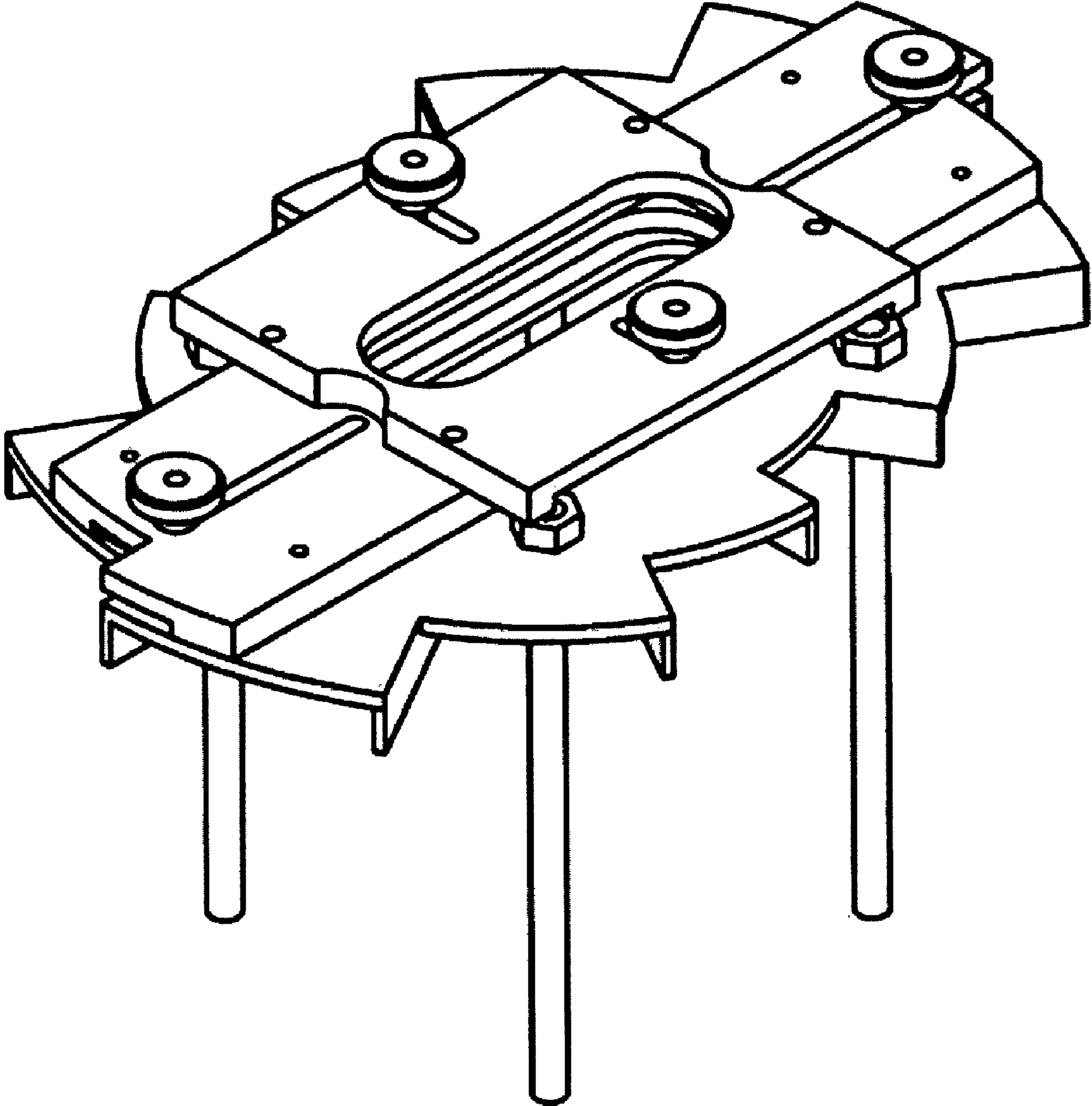


FIG. 1

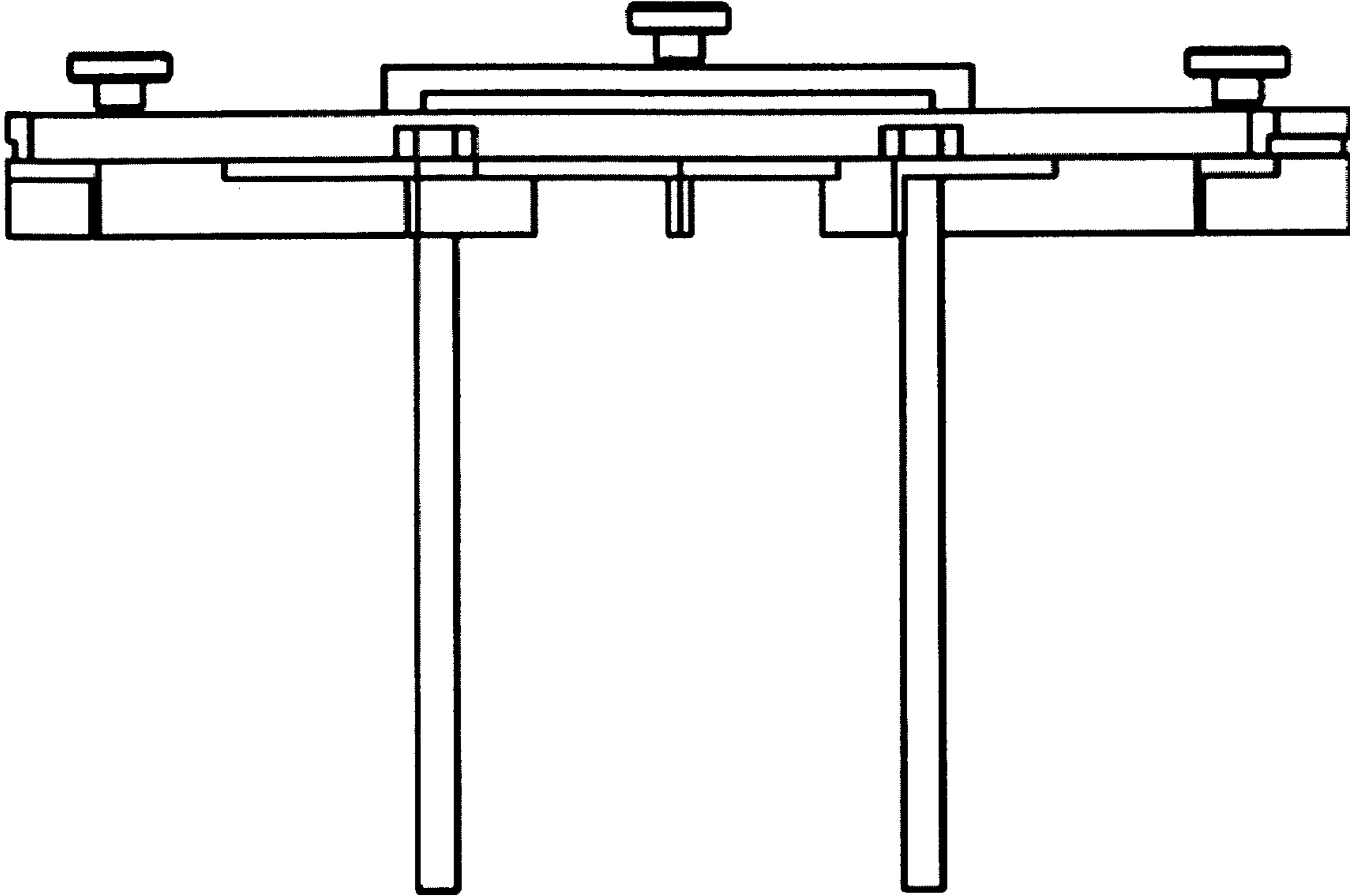


FIG. 2

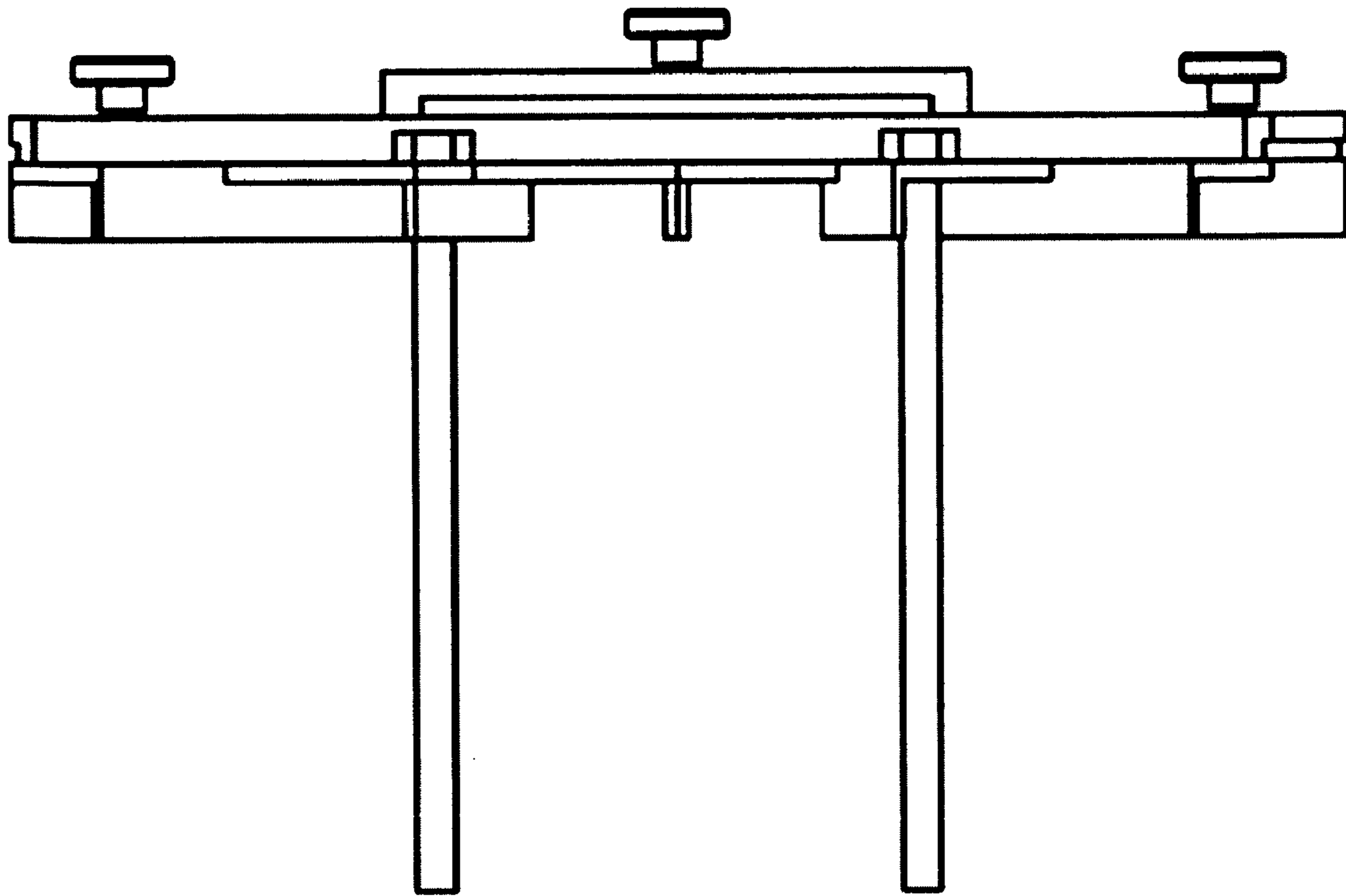


FIG. 3

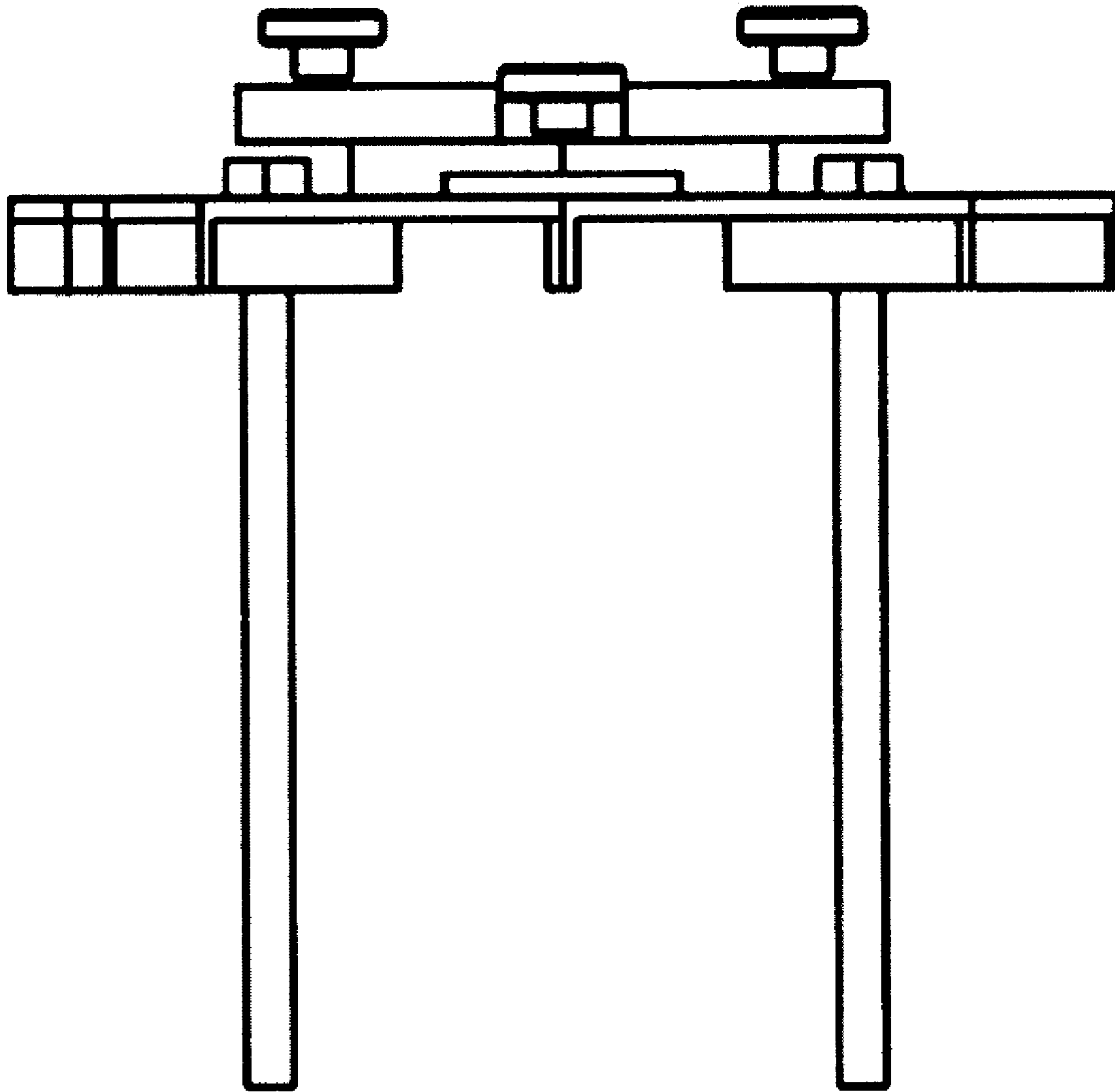


FIG. 4

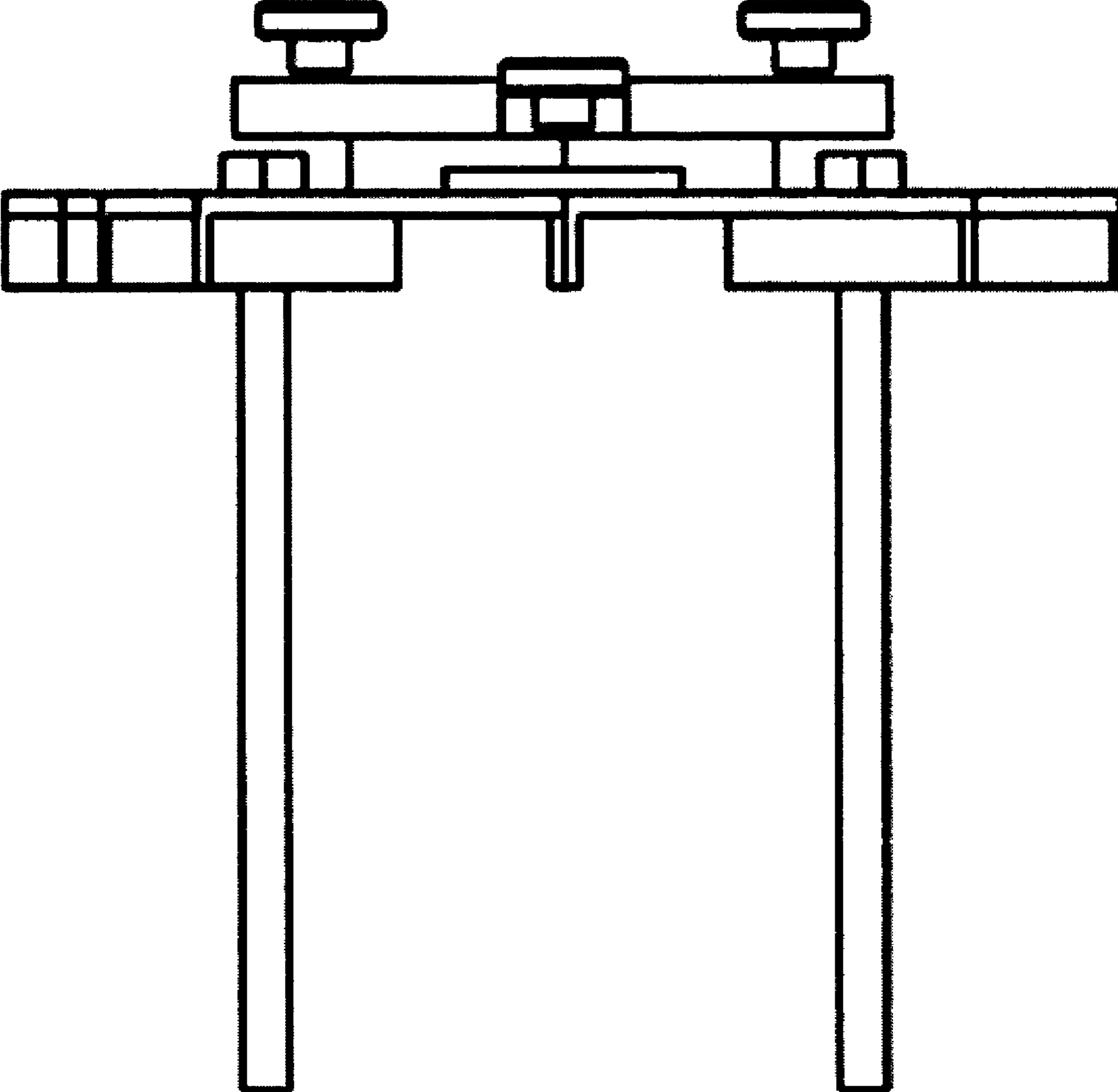


FIG. 5

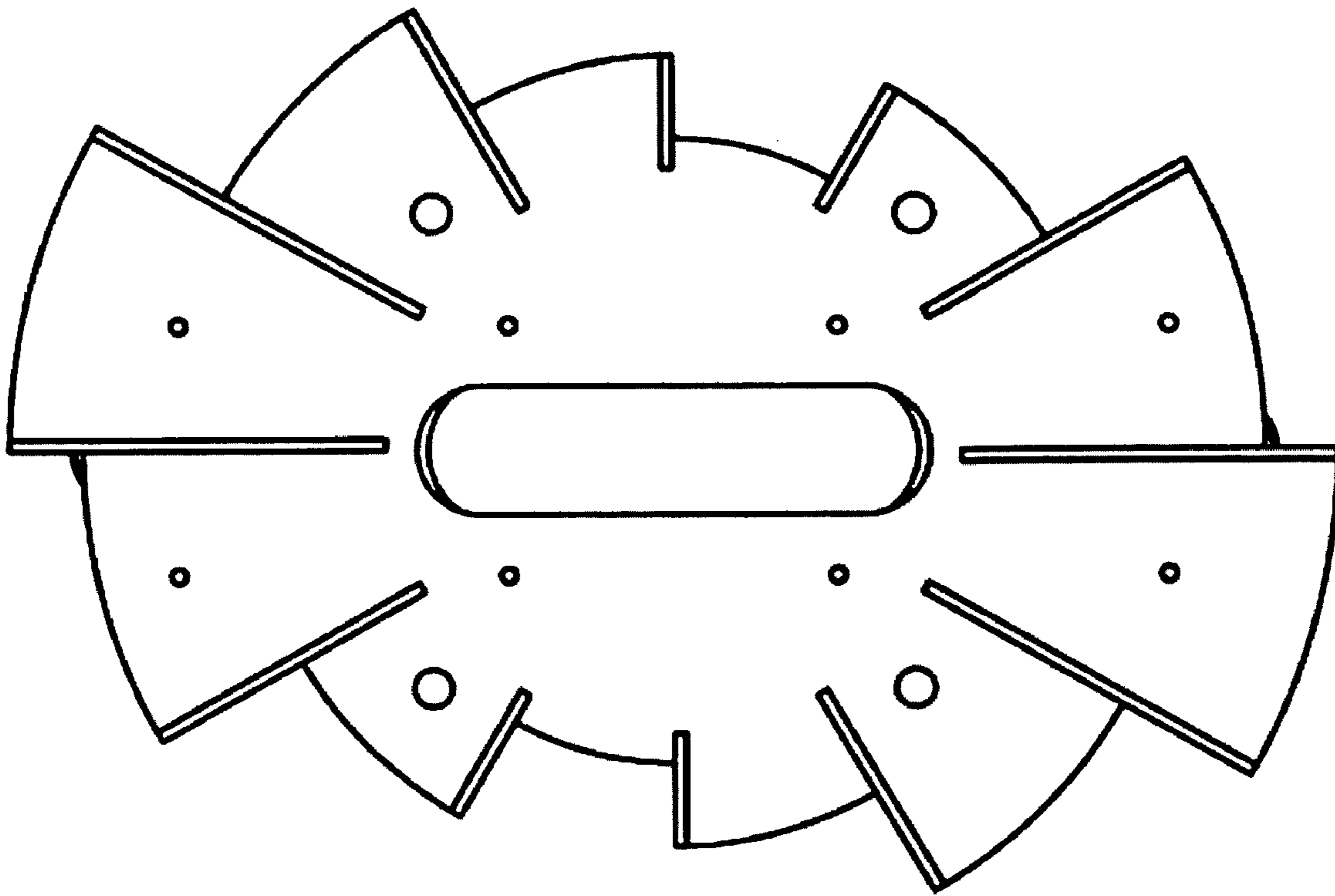


FIG. 6

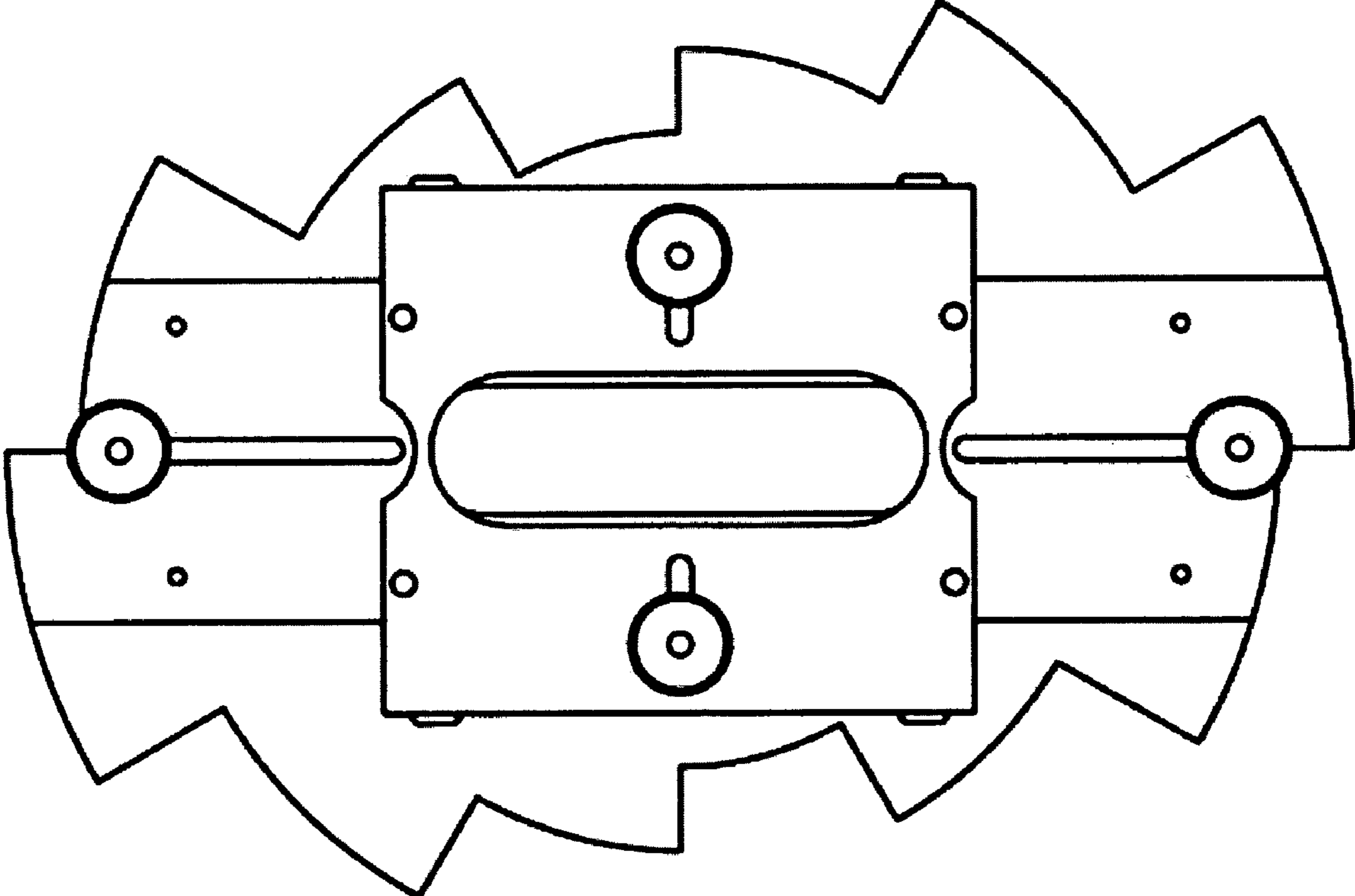


FIG. 7