



US00D580957S

(12) **United States Design Patent**
Zangari

(10) **Patent No.:** **US D580,957 S**

(45) **Date of Patent:** **** Nov. 18, 2008**

(54) **SHELF FOR A REFRIGERATED
MERCHANDISER**

(75) Inventor: **Jony M. Zangari**, O'Fallon, MO (US)

(73) Assignee: **Husmann Corporation**, Bridgeton,
MO (US)

(**) Term: **14 Years**

(21) Appl. No.: **29/296,710**

(22) Filed: **Oct. 26, 2007**

(51) **LOC (8) Cl.** **15-07**

(52) **U.S. Cl.** **D15/89**

(58) **Field of Classification Search** D15/79,
D15/81, 85, 89, 91; D7/409, 704; 211/90.01,
211/183, 194; 62/3.1, 3.6, 60, 125, 126,
62/187; 312/116, 247, 270.3, 319, 405-408;
32/55

See application file for complete search history.

(56) **References Cited**

U.S. PATENT DOCUMENTS

D312,545 S * 12/1990 Cohn D6/511
5,052,185 A * 10/1991 Spahr 62/60

D426,749 S * 6/2000 Barnes et al. D7/409
D475,374 S * 6/2003 Segers D15/89
D509,406 S * 9/2005 Freese et al. D7/409
D532,655 S * 11/2006 Elwell et al. D7/409
D551,263 S * 9/2007 Becke D15/89
D554,160 S * 10/2007 Morrison et al. D15/89

* cited by examiner

Primary Examiner—Stella M. Reid

Assistant Examiner—Shanda C Hill

(74) *Attorney, Agent, or Firm*—Michael Best & Friedrich
LLP

(57) **CLAIM**

We claim the ornamental design for a shelf for a refrigerated
merchandiser, as shown and described.

DESCRIPTION

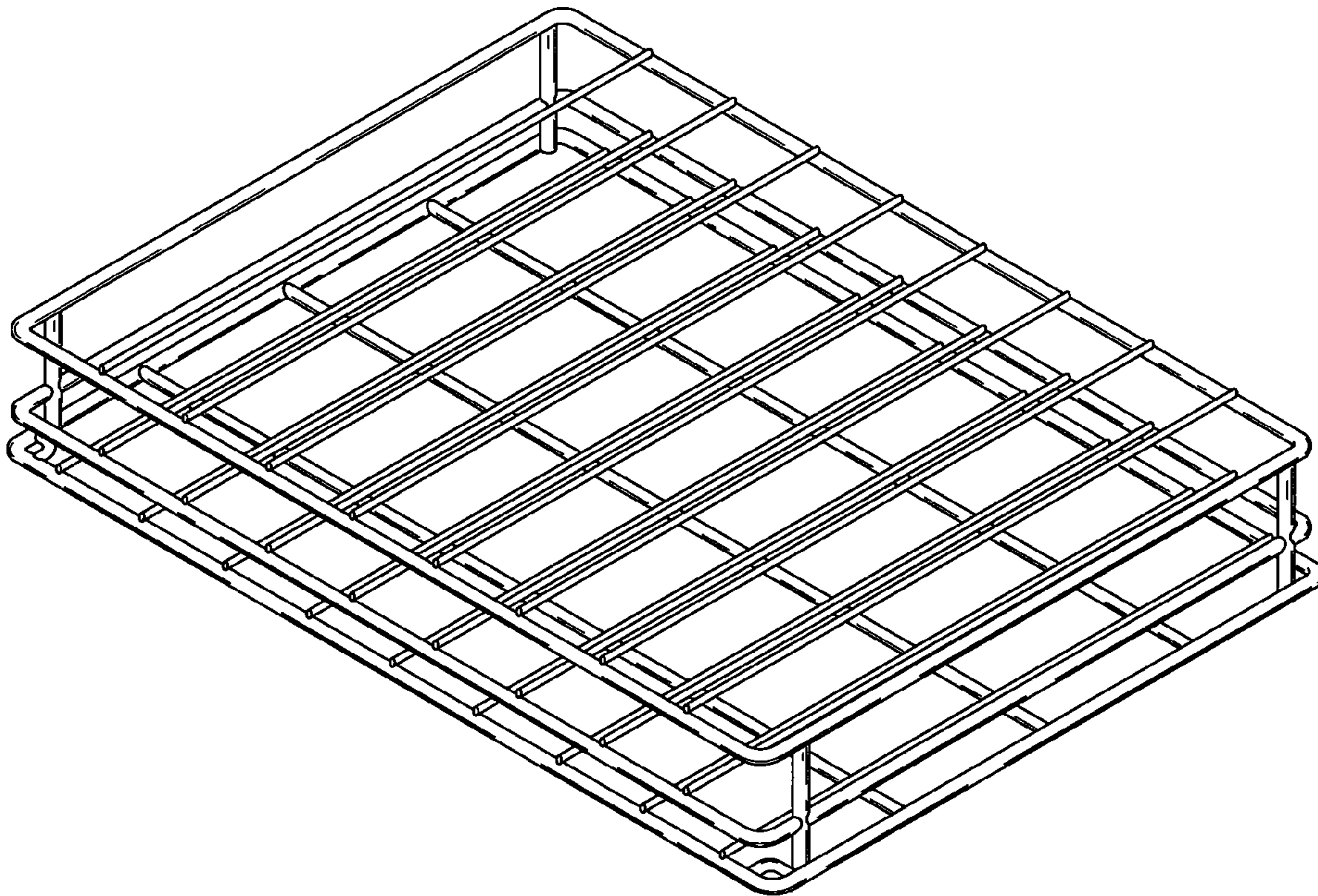
FIG. 1 is a perspective view of a shelf for a refrigerated
merchandiser according to the present invention.

FIG. 2 is a top view of the shelf shown in FIG. 1.

FIG. 3 is a front view of the shelf shown in FIG. 1; and,

FIG. 4 is a side view of the shelf shown in FIG. 1.

1 Claim, 3 Drawing Sheets



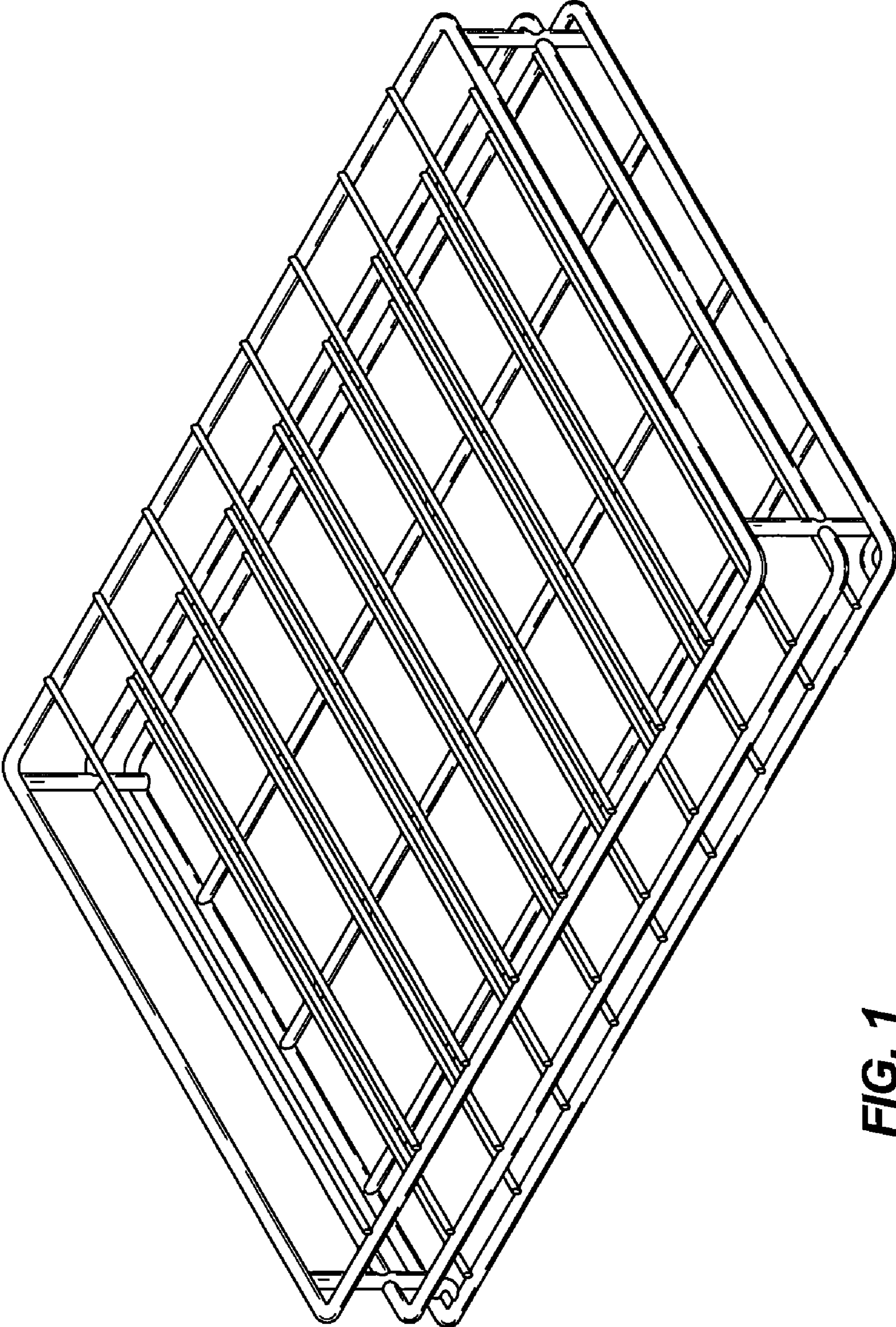


FIG. 1

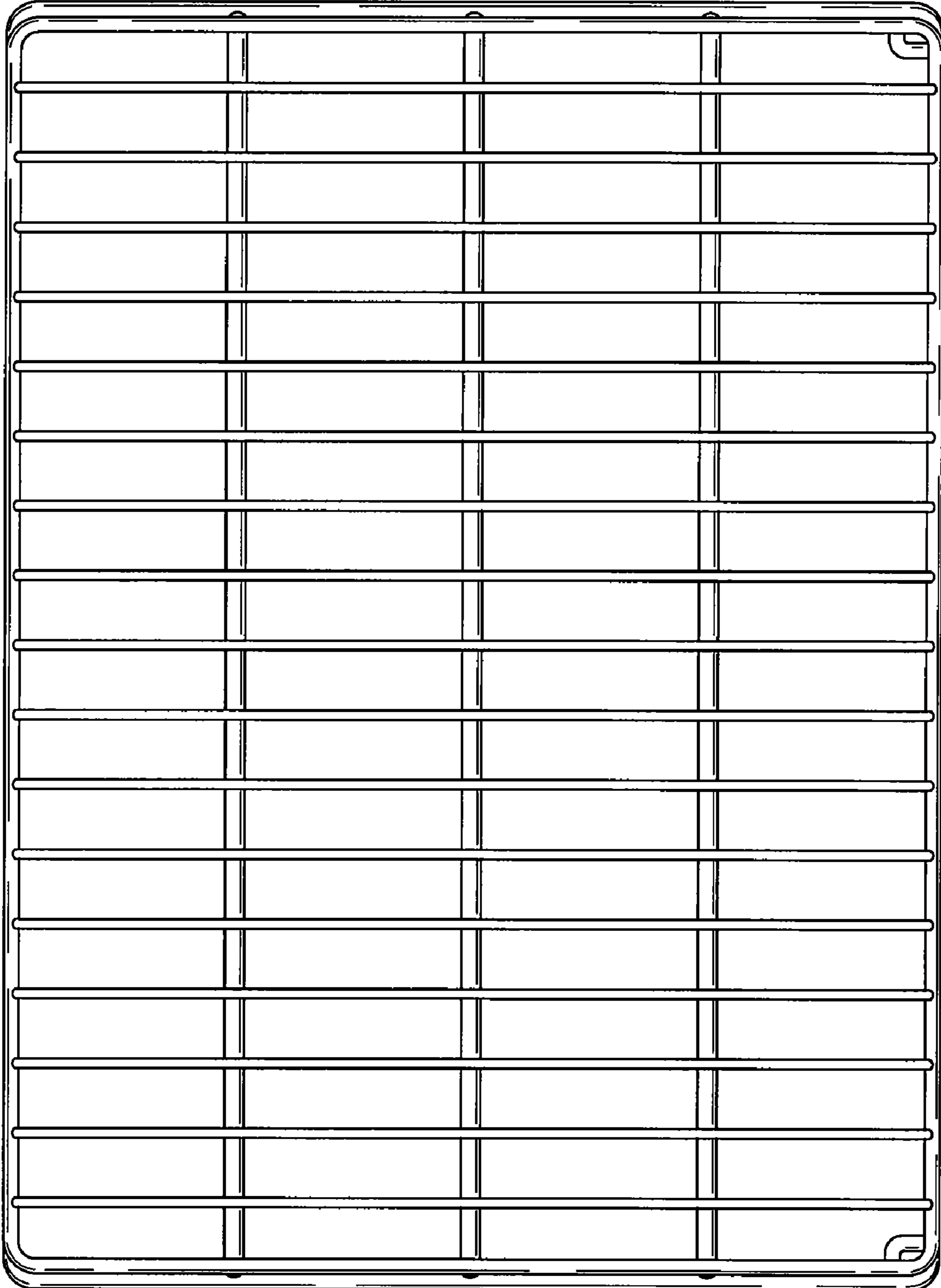


FIG. 2

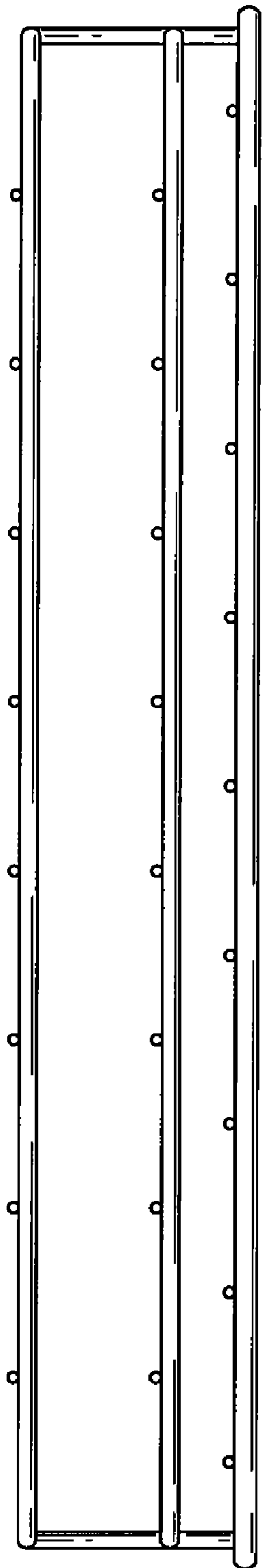


FIG. 3

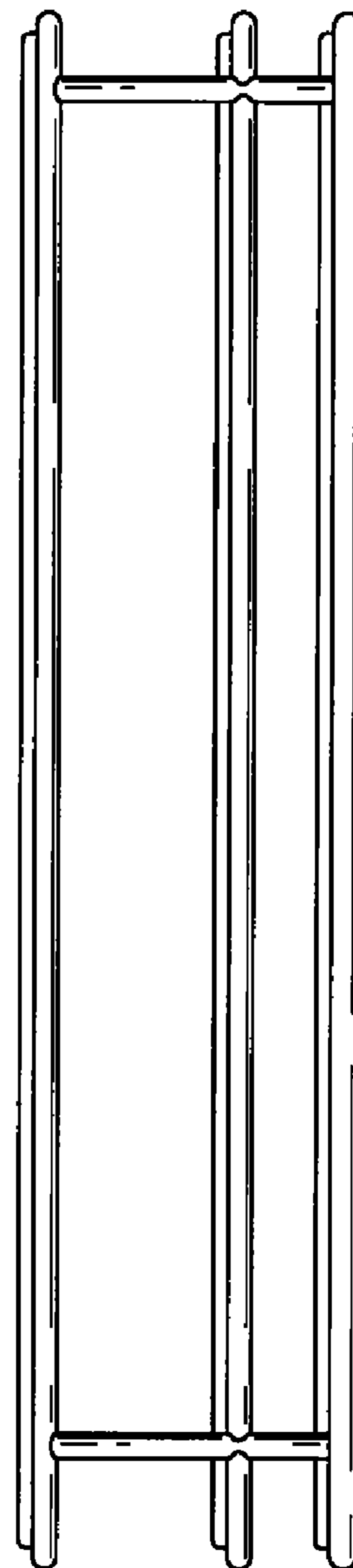


FIG. 4