



US00D580956S

(12) **United States Design Patent**
Bourrousse

(10) **Patent No.:** **US D580,956 S**

(45) **Date of Patent:** **** Nov. 18, 2008**

(54) **SOFT ICE DISPENSER**

(75) Inventor: **Emmanuel Bourrousse**, Beauvais (FR)

(73) Assignee: **Societe des Produits Nestle S.A.**, Vevey (CH)

(**) Term: **14 Years**

(21) Appl. No.: **29/302,732**

(22) Filed: **Jan. 23, 2008**

(30) **Foreign Application Priority Data**

Jul. 24, 2007 (CH) 134099

(51) **LOC (8) Cl.** **15-07**

(52) **U.S. Cl.** **D15/80**

(58) **Field of Classification Search** D15/79-82;
D7/300, 305, 306, 368, 372-374; 222/146.6;
62/3.1, 3.6, 125, 126; 312/116, 400-406
See application file for complete search history.

(56) **References Cited**

U.S. PATENT DOCUMENTS

- 4,139,126 A * 2/1979 Krasner et al. 222/146.6
- D256,124 S * 7/1980 Adamson et al. D15/82
- D265,203 S * 6/1982 Lents D15/80
- D271,462 S * 11/1983 Lents D7/305
- D271,496 S * 11/1983 Lents D15/80
- D298,434 S * 11/1988 Makihara D15/80
- D335,498 S * 5/1993 Kolada et al. D15/80
- D421,027 S * 2/2000 Strandell et al. D15/80
- D442,973 S * 5/2001 Strandell et al. D15/80
- D463,464 S * 9/2002 Strandell et al. D15/80
- D540,830 S * 4/2007 Gunshi D15/80

D569,879 S * 5/2008 Rousselin D15/81

* cited by examiner

Primary Examiner—Stella M. Reid

Assistant Examiner—Shanda C Hill

(74) *Attorney, Agent, or Firm*—Bell, Boyd & Lloyd LLP

(57) **CLAIM**

The ornamental design for a soft ice dispenser, as shown and described.

DESCRIPTION

FIG. 1 illustrates a front perspective view of the soft ice dispenser;

FIG. 2 illustrates a front elevation view of the soft ice dispenser of FIG. 1;

FIG. 3 illustrates a rear elevation view of the soft ice dispenser of FIG. 1;

FIG. 4 illustrates a right side elevation view of the soft ice dispenser of FIG. 1;

FIG. 5 illustrates a left side elevation view of the soft ice dispenser of FIG. 1;

FIG. 6 illustrates a top view of the soft ice dispenser of FIG. 1;

FIG. 7 illustrates a front perspective view of the soft ice dispenser of FIG. 1 showing the lid in an open position; and,

FIG. 8 illustrates a front elevation view of the soft ice dispenser of FIG. 1 showing the front bar in a rotated position.

The broken lines shown in the drawing disclosure are for illustrative purposes only and form no part of the claimed design.

1 Claim, 8 Drawing Sheets

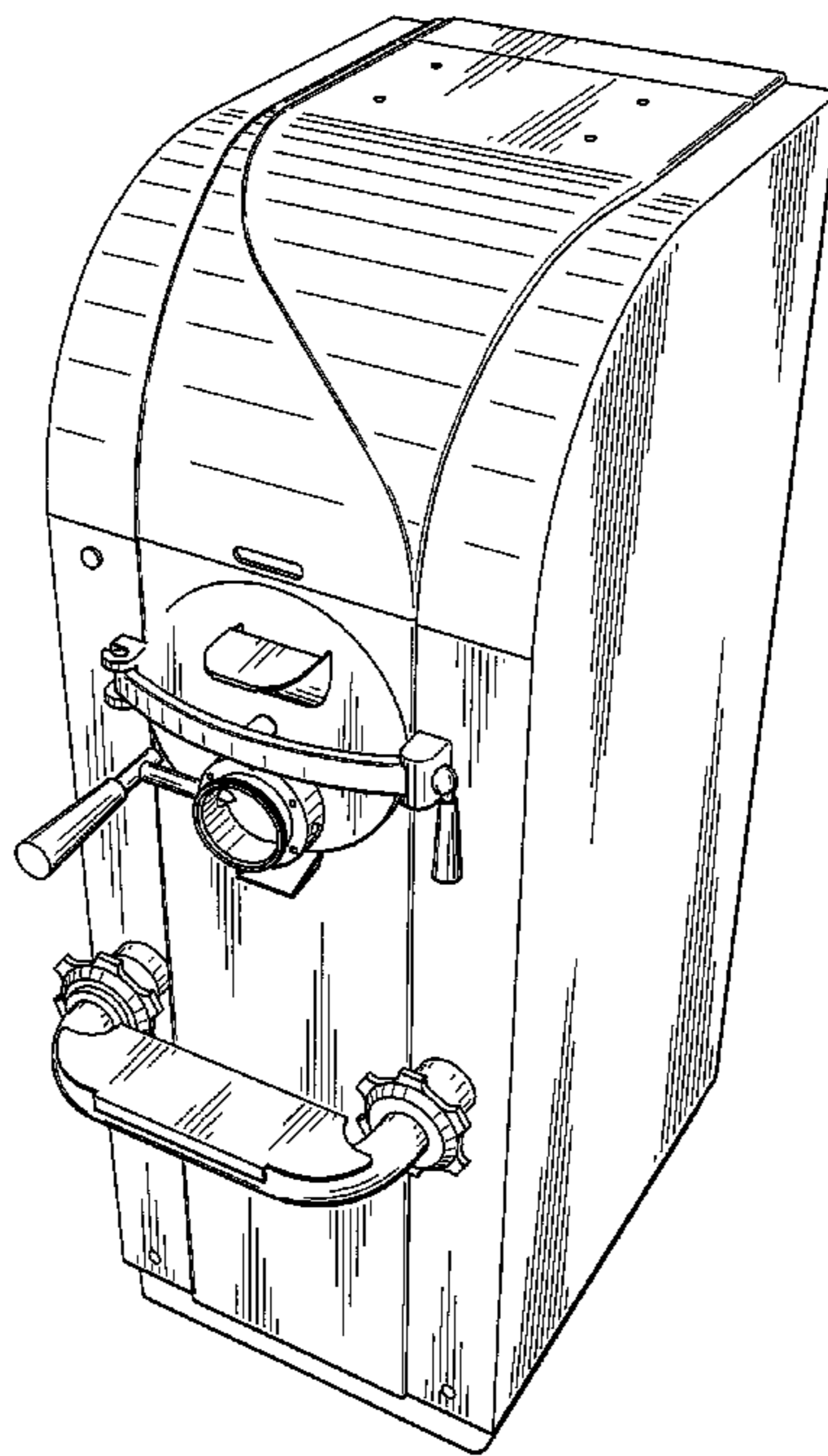


FIG.1

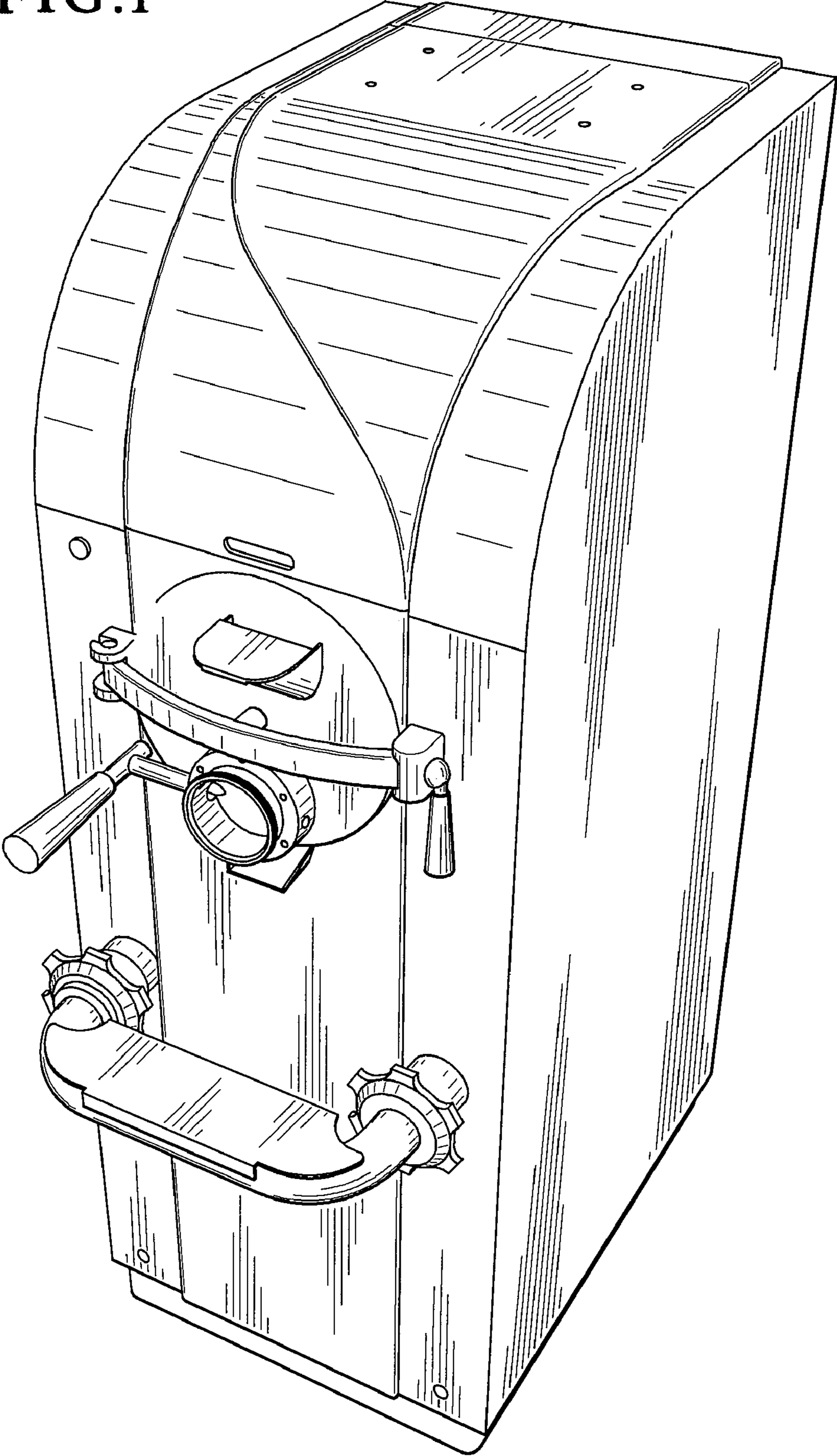


FIG. 2

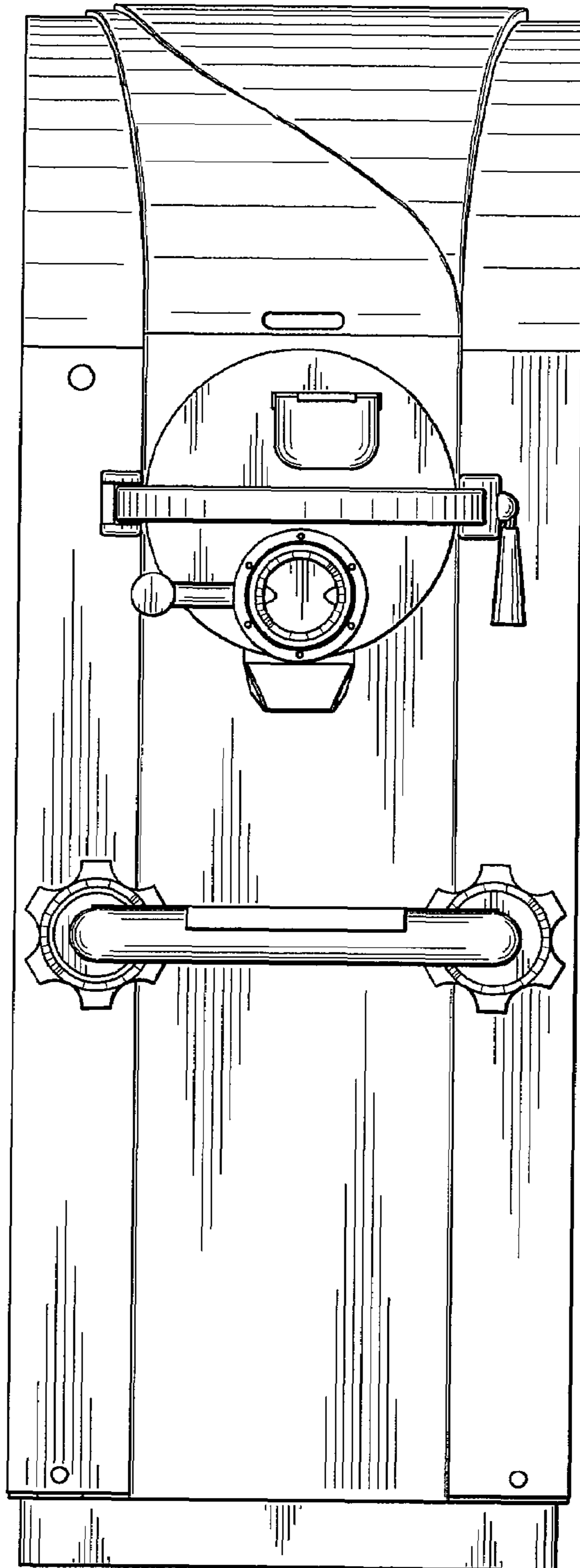


FIG. 3

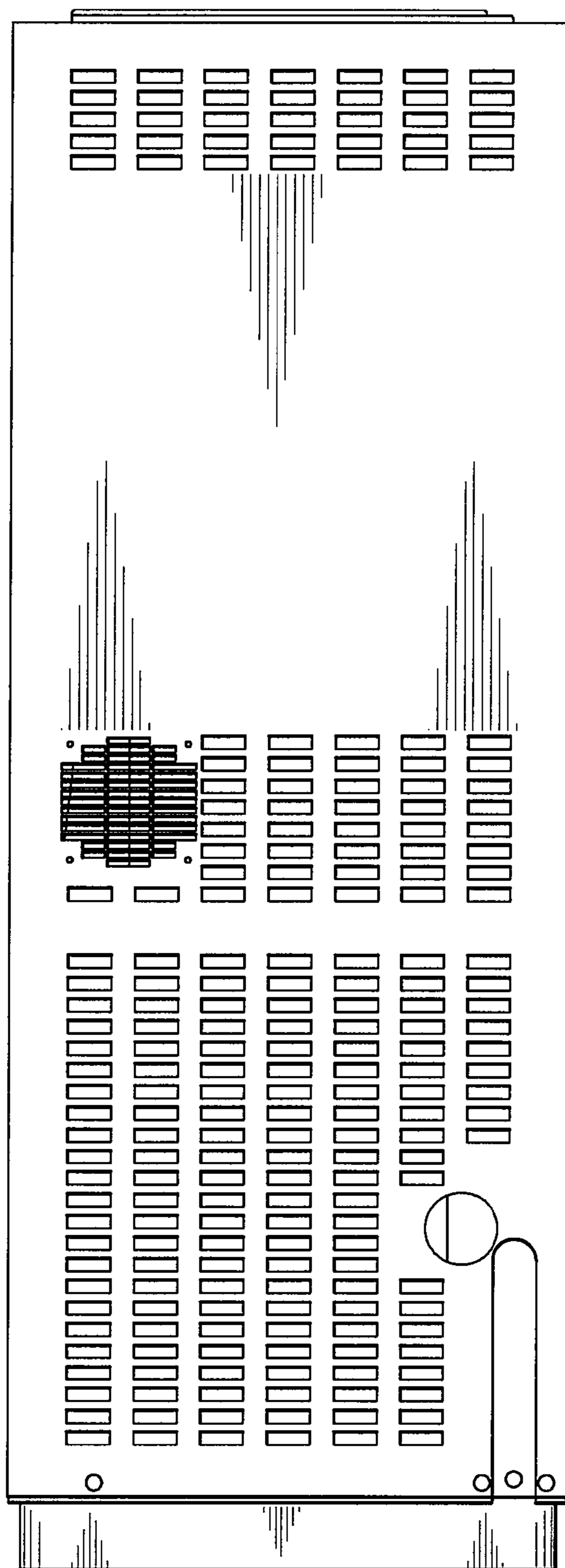


FIG. 4

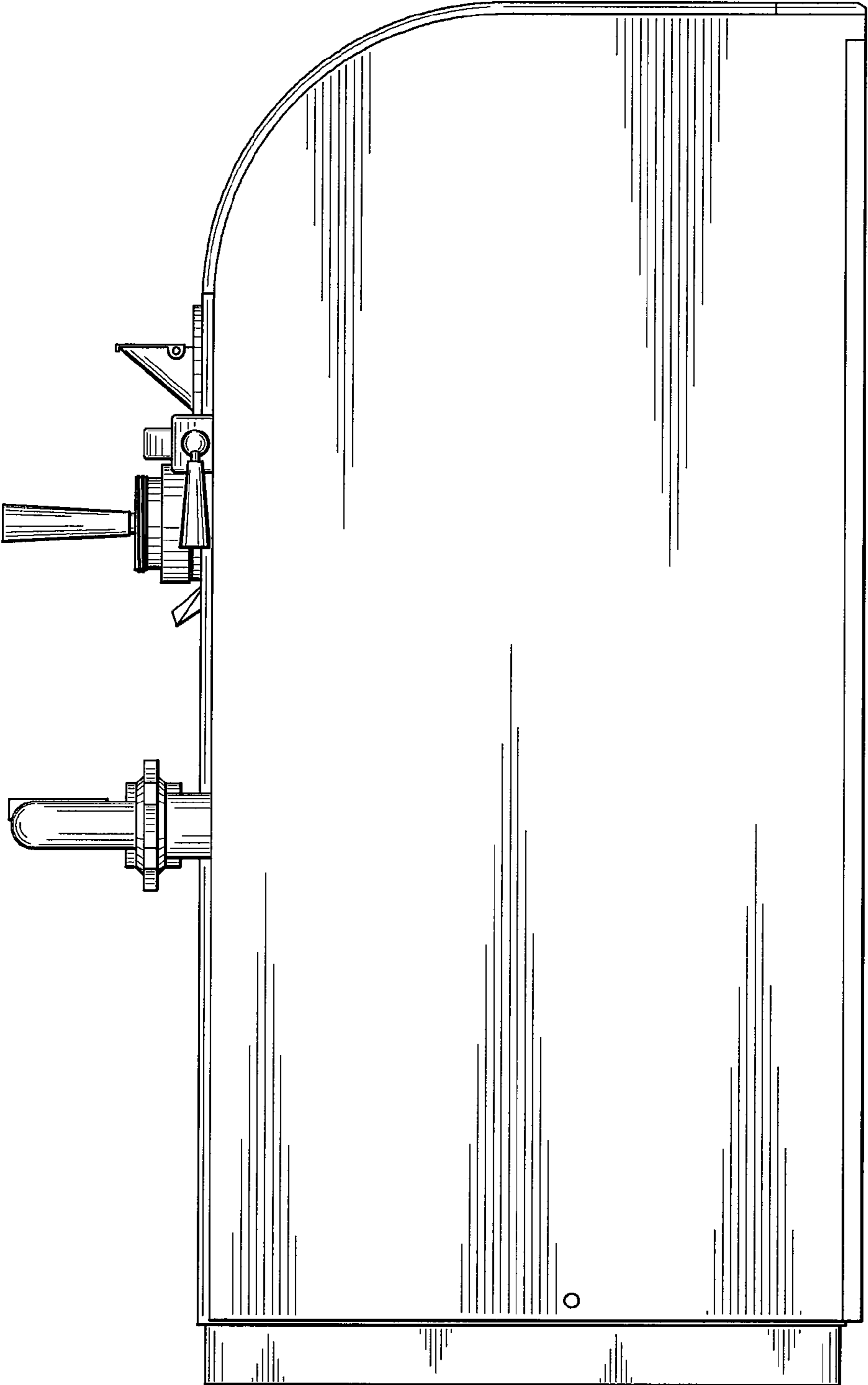


FIG. 5

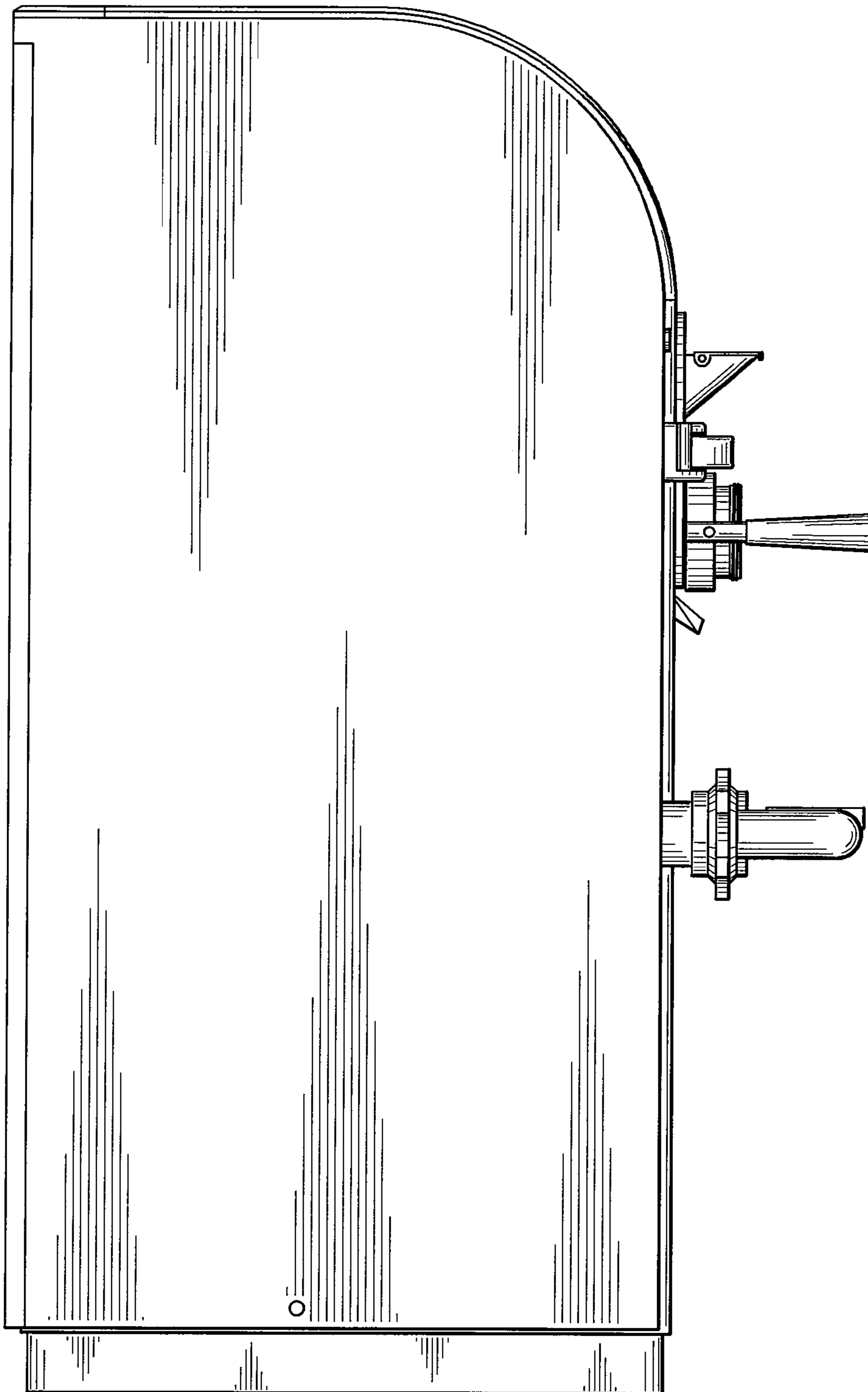


FIG. 6

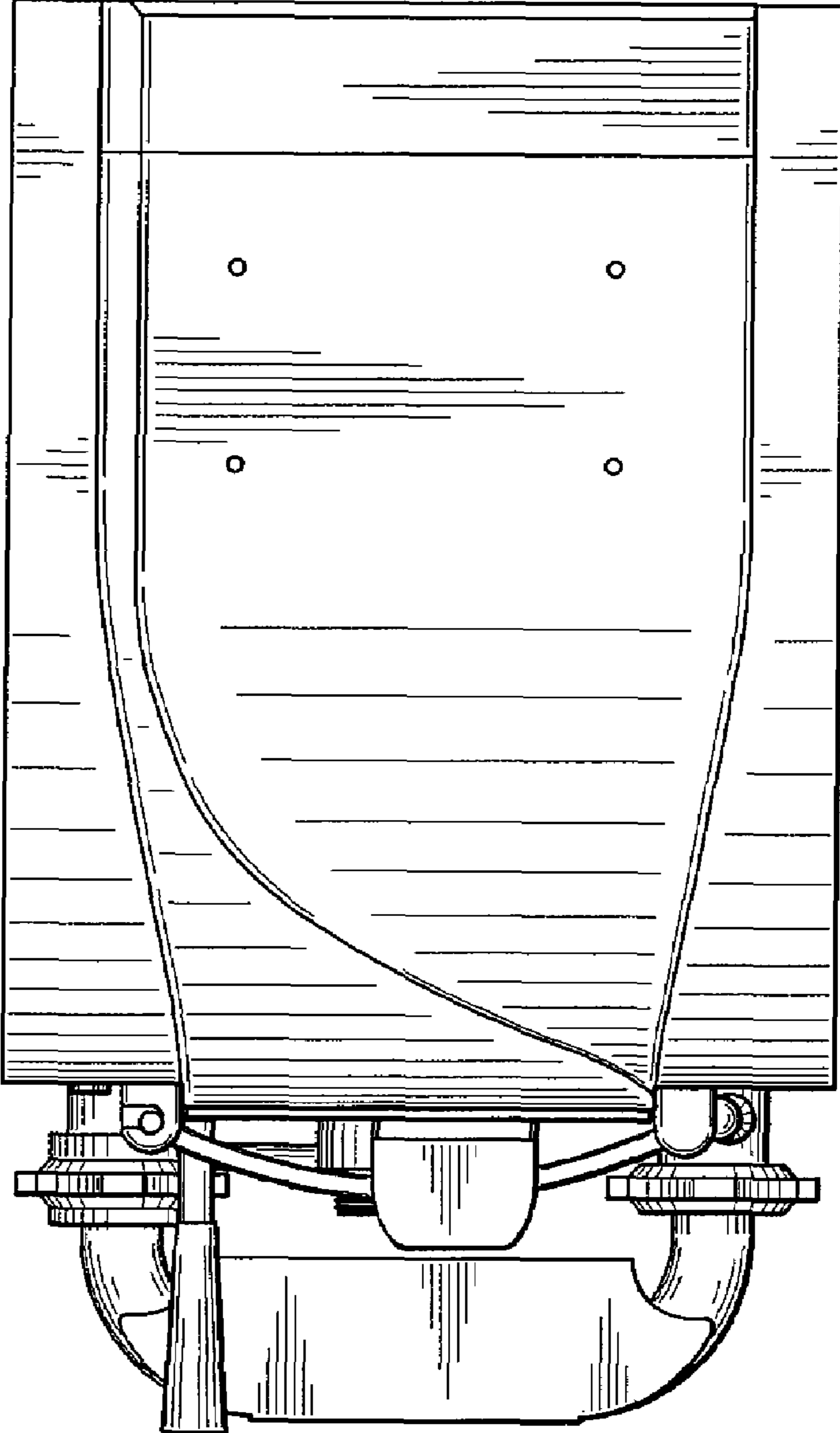


FIG. 7

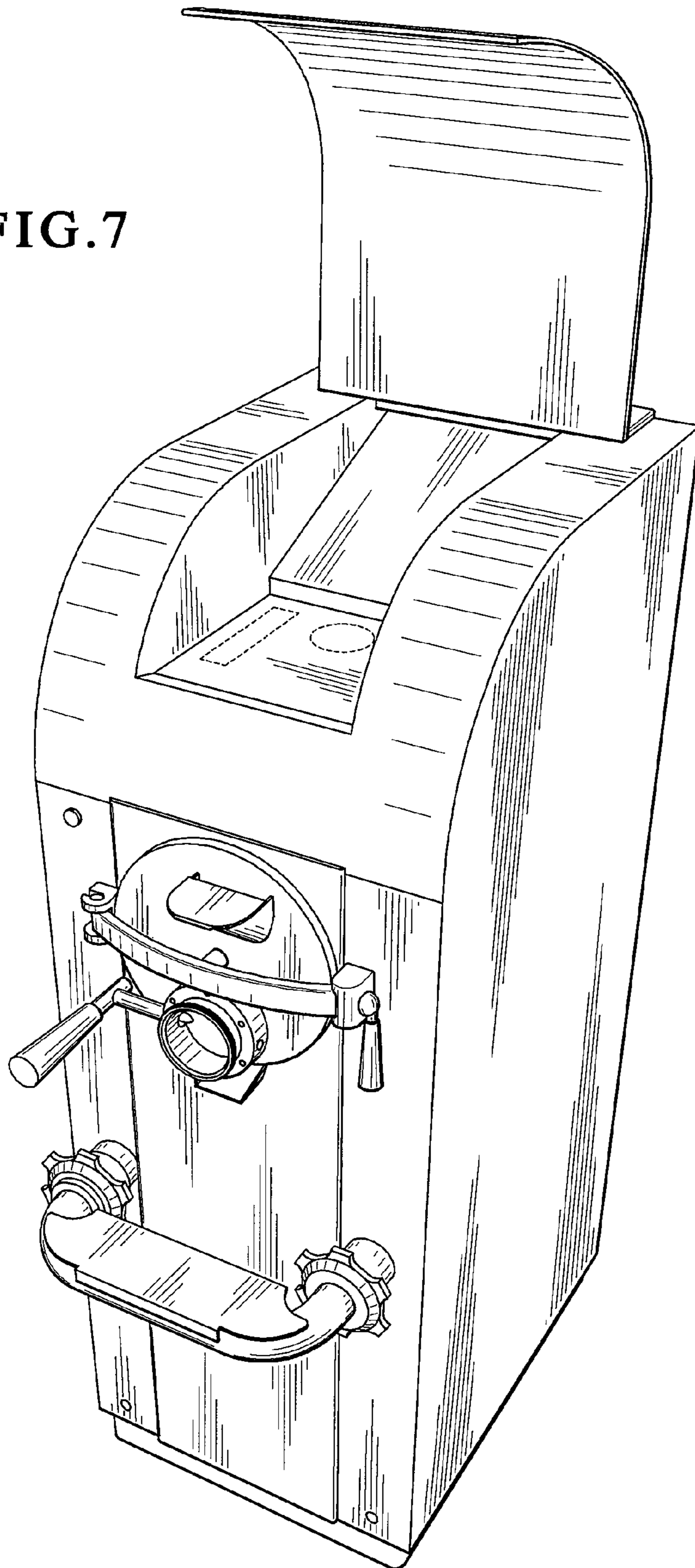


FIG. 8

