



US00D580954S

(12) **United States Design Patent**
Platt

(10) **Patent No.:** **US D580,954 S**

(45) **Date of Patent:** **** Nov. 18, 2008**

(54) **VALVE COVER**

(76) **Inventor:** **Richard B. Platt**, 381 Country Club La.,
Grosse Pointe Farms, MI (US) 48236

(**) **Term:** **14 Years**

(21) **Appl. No.:** **29/297,545**

(22) **Filed:** **Nov. 13, 2007**

(51) **LOC (8) Cl.** **15-01**

(52) **U.S. Cl.** **D15/5**

(58) **Field of Classification Search** D15/1,
D15/3, 5; 123/90.38, 195 C, 90.37

See application file for complete search history.

(56) **References Cited**

U.S. PATENT DOCUMENTS

D252,878 S	9/1979	Bellino et al.
4,388,898 A	6/1983	Larson
4,492,189 A	1/1985	Ogawa et al.
4,538,560 A	9/1985	Alden
4,788,950 A	12/1988	Finley
D305,123 S	12/1989	Garrett et al.
D305,767 S	1/1990	Tauschke
D306,735 S	3/1990	Finley
D324,867 S	3/1992	Lyndhurst et al.
5,367,993 A	11/1994	Tulach et al.
5,513,604 A	5/1996	Clement
5,655,489 A	8/1997	Kammerer et al.
D418,844 S	1/2000	Occhiuto

D422,551 S	4/2000	Haines
6,302,074 B1	10/2001	Bolsover et al.
6,382,158 B1	5/2002	Durnen
6,491,014 B1	12/2002	Eickert
D479,244 S	9/2003	Kern et al.
D479,721 S	9/2003	Kern et al.
D503,724 S	4/2005	Grant
D531,641 S	11/2006	Schultz et al.
D533,567 S	12/2006	D'Amico
7,343,890 B1 *	3/2008	Platt 123/90.38

* cited by examiner

Primary Examiner—Lisa P Lichtenstein

(74) *Attorney, Agent, or Firm*—Dickinson Wright PLLC

(57) **CLAIM**

The ornamental design for the valve cover, as shown and described.

DESCRIPTION

FIG. 1 is a perspective view of the valve cover embodying the new design;

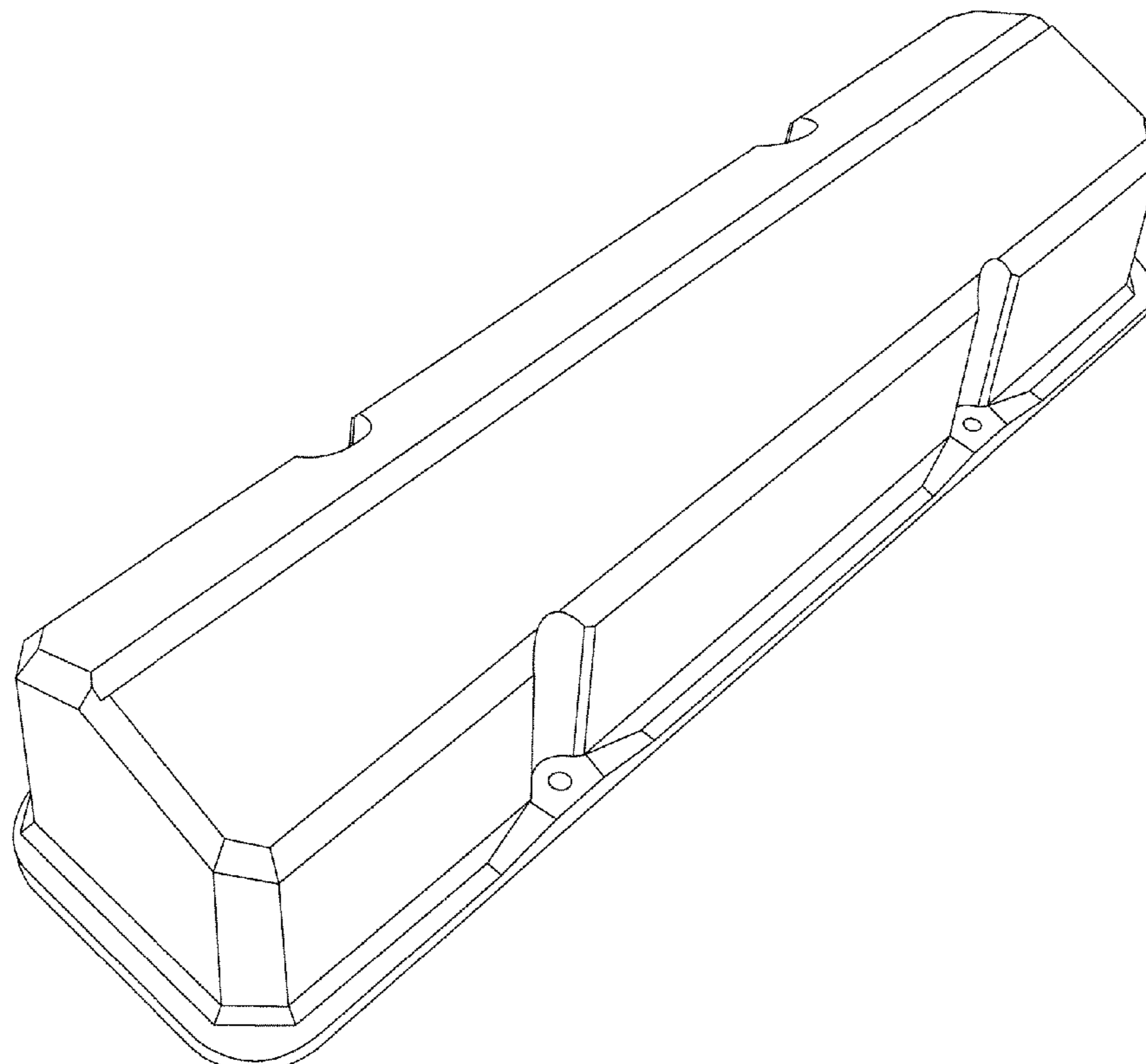
FIG. 2 is an enlarged right elevational view thereof, the left elevational view being a mirror image thereof;

FIG. 3 is a front elevational view thereof;

FIG. 4 is a rear elevational view thereof; and,

FIG. 5 is a top plan view thereof.

1 Claim, 4 Drawing Sheets



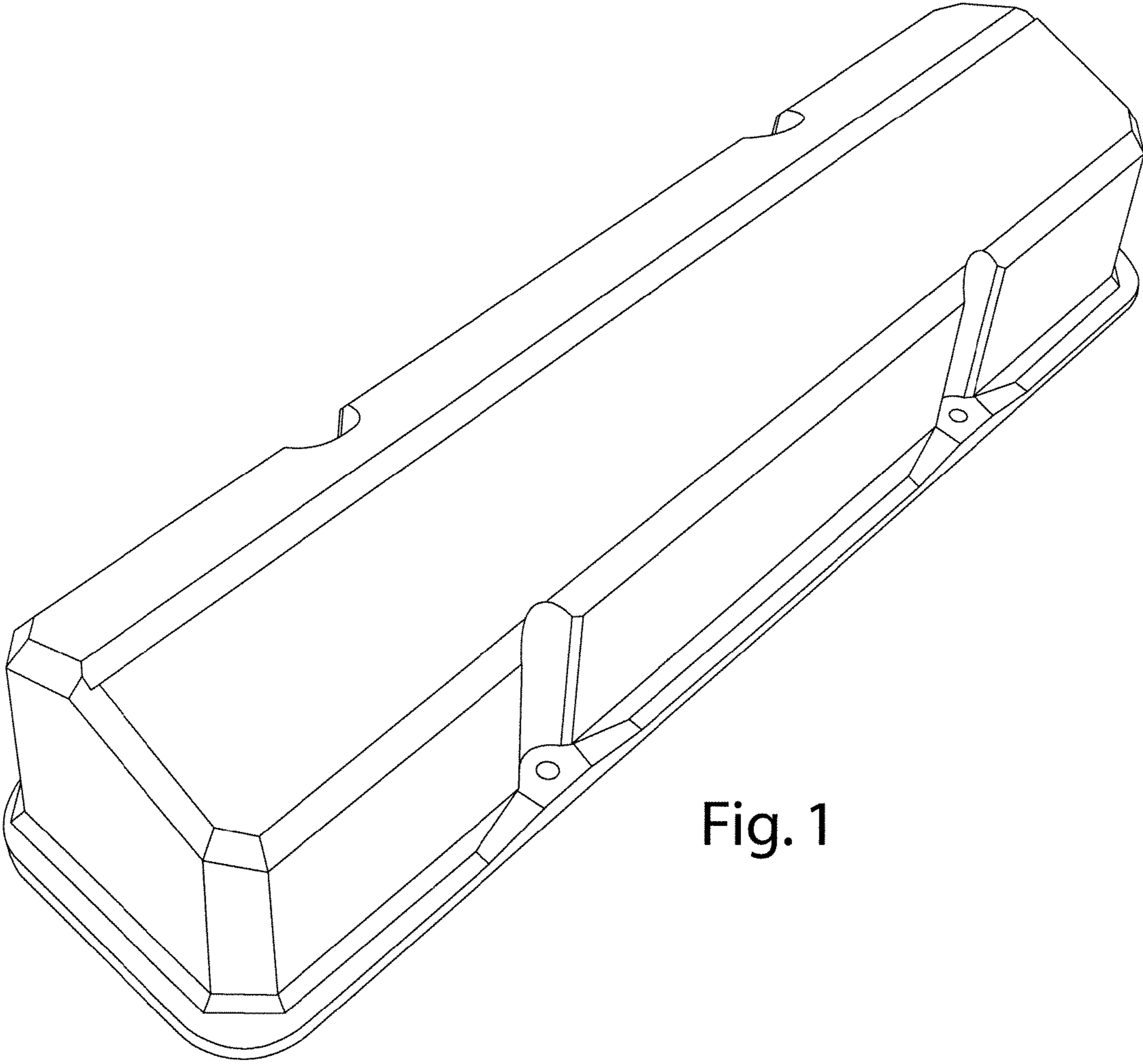


Fig. 1

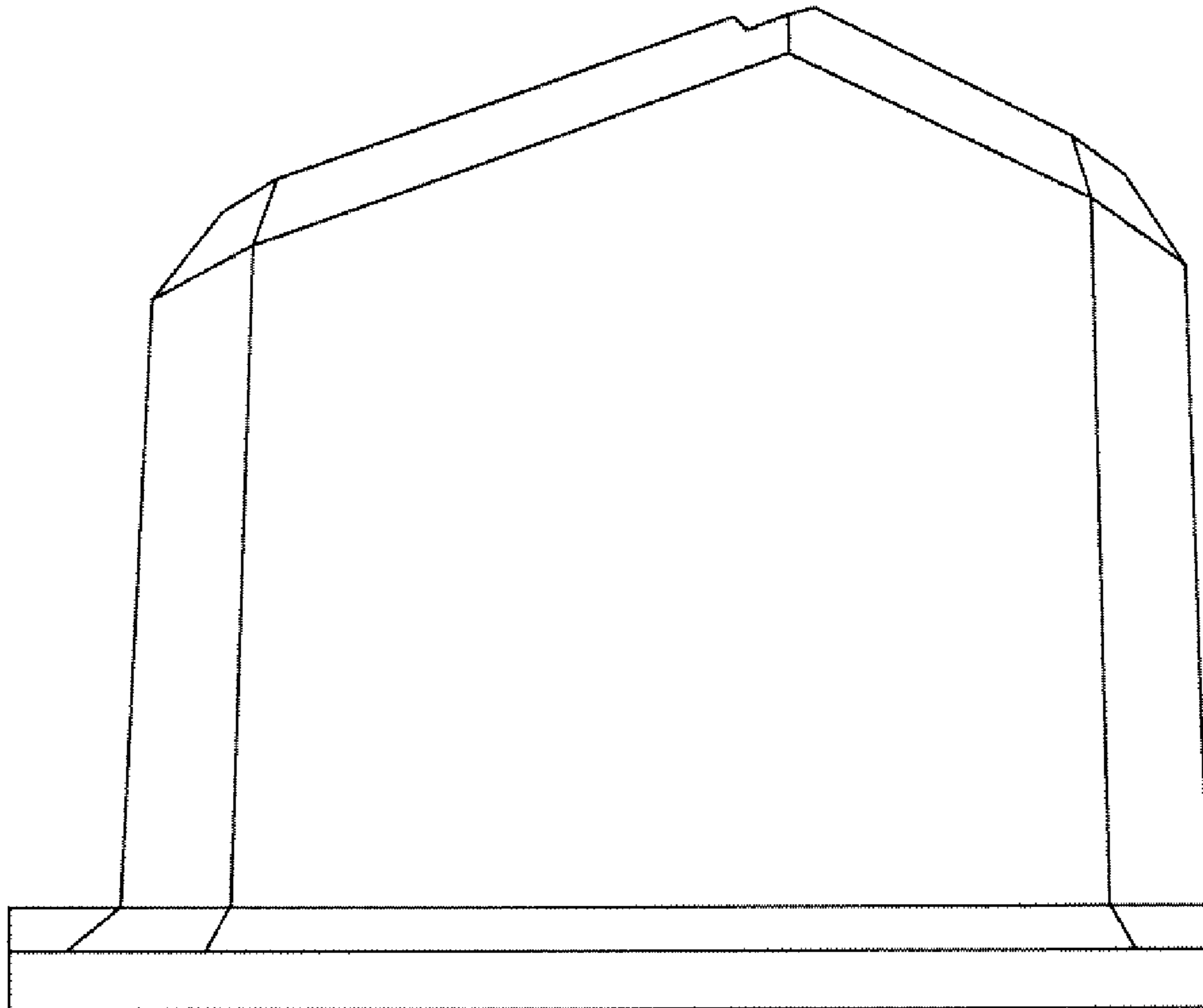


Fig. 2

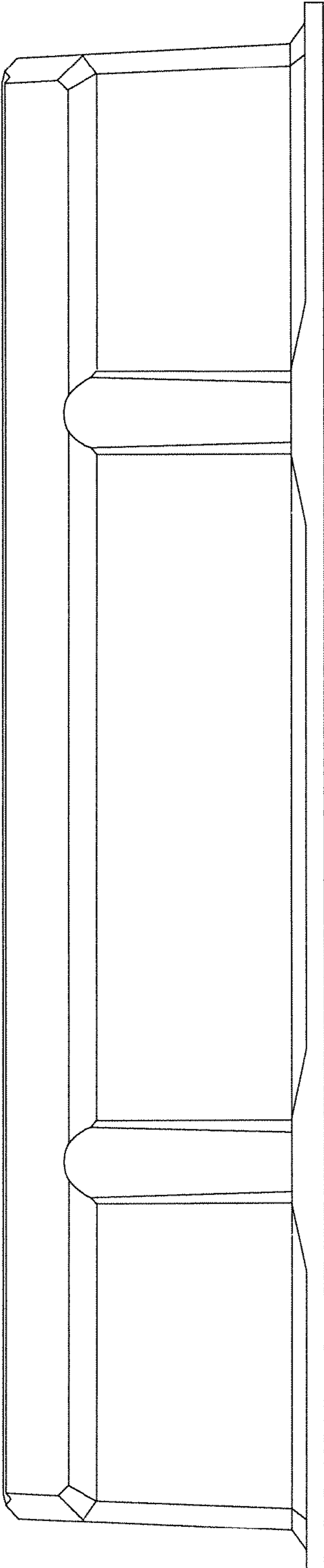


Fig. 3

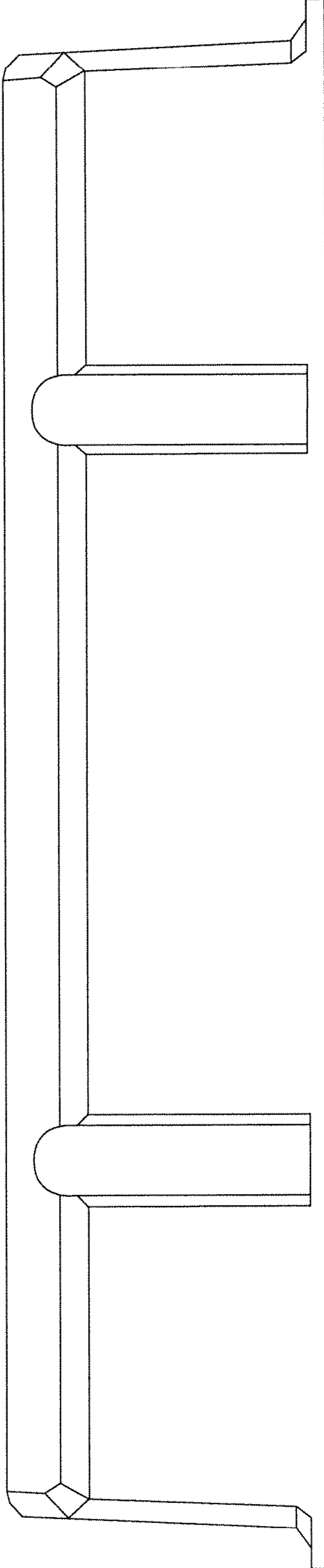


Fig. 4

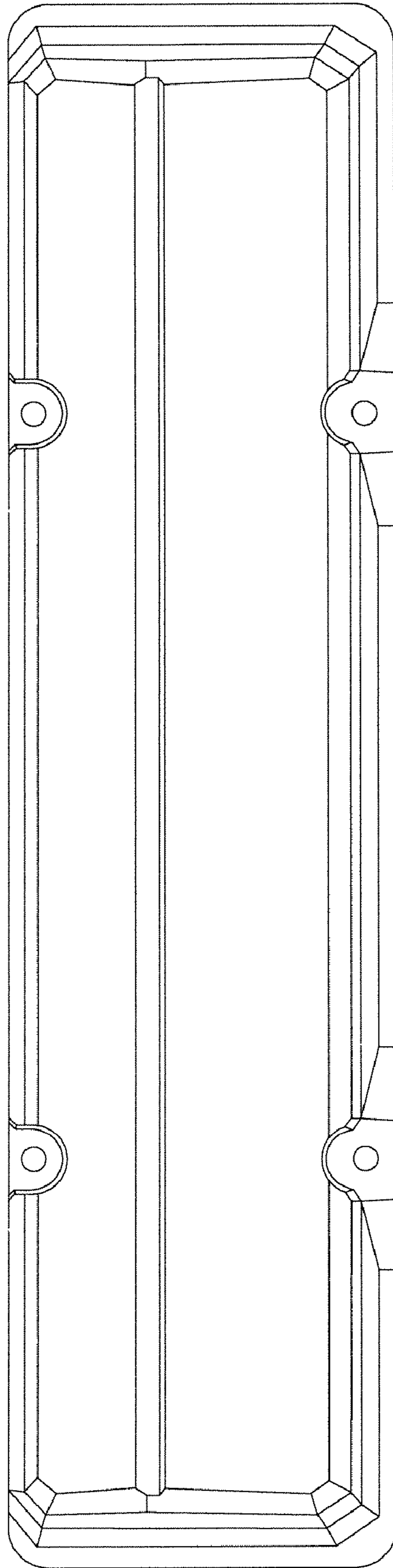


Fig. 5