



US00D580953S

(12) **United States Design Patent**  
**Andre et al.**

(10) **Patent No.:** **US D580,953 S**  
(45) **Date of Patent:** **\*\* Nov. 18, 2008**

(54) **MEDIA DEVICE**

(75) Inventors: **Bartley K. Andre**, Menlo Park, CA (US); **Daniel J. Coster**, San Francisco, CA (US); **Daniele De Iuliis**, San Francisco, CA (US); **Richard P. Howarth**, San Francisco, CA (US); **Jonathan P. Ive**, San Francisco, CA (US); **Steve Jobs**, San Francisco, CA (US); **Duncan Robert Kerr**, San Francisco, CA (US); **Shin Nishibori**, San Francisco, CA (US); **Matthew Dean Rohrbach**, San Francisco, CA (US); **Douglas B. Satzger**, Menlo Park, CA (US); **Calvin Q. Seid**, Palo Alto, CA (US); **Christopher J. Stringer**, Portola Valley, CA (US); **Eugene Antony Whang**, San Francisco, CA (US); **Rico Zorkendorfer**, San Francisco, CA (US)

(73) Assignee: **Apple Inc.**, Cupertino, CA (US)

(\*\*) Term: **14 Years**

(21) Appl. No.: **29/304,037**

(22) Filed: **Feb. 22, 2008**

**Related U.S. Application Data**

(63) Continuation of application No. 29/265,520, filed on Sep. 1, 2006, now Pat. No. Des. 568,338.

(51) **LOC (8) Cl.** ..... **14-03**

(52) **U.S. Cl.** ..... **D14/496**

(58) **Field of Classification Search** ..... D14/496,  
D14/401, 435, 474, 483, 217, 137, 138, 160,  
D14/168; 345/156, 169, 173-179, 905; 715/727-729,  
715/864; 455/11.1, 773, 344-347, 93, 95;  
370/342-344; 369/1, 2, 6, 12; 463/43-47;  
273/148 B

See application file for complete search history.

(56) **References Cited**

U.S. PATENT DOCUMENTS

D264,969 S 6/1982 McGourty  
4,976,435 A 12/1990 Shatford et al.  
5,192,082 A 3/1993 Inoue et al.

(Continued)

FOREIGN PATENT DOCUMENTS

CN 3260632 10/2002

(Continued)

OTHER PUBLICATIONS

U.S. Appl. No. 29/237,225, Andre et al., Media Device, filed Aug. 24, 2005.

(Continued)

*Primary Examiner*—Prabhakar Deshmukh  
(74) *Attorney, Agent, or Firm*—Sterne, Kessler, Goldstein & Fox P.L.L.C.

(57) **CLAIM**

We claim the ornamental design for an media device, substantially as shown and described.

**DESCRIPTION**

FIG. 1 is a perspective view of a media device showing our new design.

FIG. 2 is a front view thereof;

FIG. 3 is a rear view thereof;

FIG. 4 is a top view thereof;

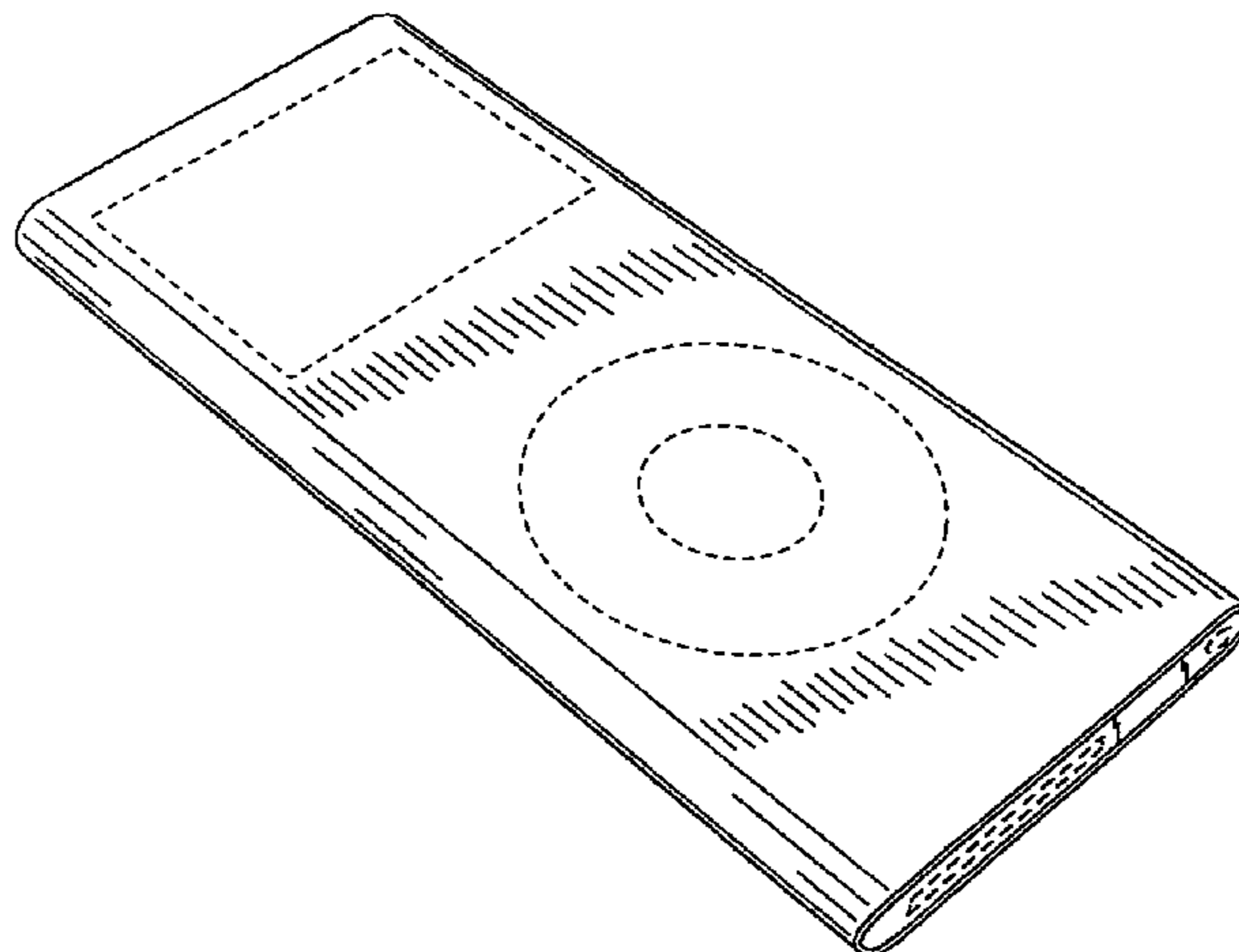
FIG. 5 is a bottom view thereof;

FIG. 6 is a right side view thereof; and,

FIG. 7 is a left view thereof.

The broken lines immediately adjacent to the shaded areas represent the boundaries of the claimed design. Other broken lines are for illustrative purpose only and form no part of the claimed design. None of the broken lines form part of the claimed design.

**1 Claim, 3 Drawing Sheets**



U.S. PATENT DOCUMENTS

5,661,632 A 8/1997 Register  
 D412,940 S 8/1999 Kato et al.  
 5,964,661 A 10/1999 Dodge  
 D425,885 S 5/2000 Amron  
 D430,169 S 8/2000 Scibora  
 6,122,526 A \* 9/2000 Parulski et al. .... 455/556.1  
 D432,523 S 10/2000 Grinkus et al.  
 D437,860 S 2/2001 Suzuki et al.  
 D438,525 S \* 3/2001 Katayama ..... D14/156  
 D441,735 S \* 5/2001 Katayama ..... D14/156  
 6,227,966 B1 5/2001 Yokoi  
 6,254,477 B1 7/2001 Sasaki et al.  
 6,262,785 B1 7/2001 Kim  
 D448,810 S 10/2001 Goto  
 D450,713 S 11/2001 Masamitsu et al.  
 6,314,483 B1 11/2001 Goto et al.  
 D452,250 S 12/2001 Chan  
 D455,793 S 4/2002 Lin  
 D468,365 S 1/2003 Bransky et al.  
 D469,109 S 1/2003 Andre et al.  
 D472,245 S 3/2003 Andre et al.  
 D473,207 S 4/2003 Tanio  
 6,567,011 B1 \* 5/2003 Young et al. .... 340/825.69  
 6,591,085 B1 7/2003 Grady  
 D483,809 S 12/2003 Lim  
 D486,813 S 2/2004 Chun  
 D489,052 S 4/2004 Shiraki et al.  
 D489,731 S 5/2004 Huang  
 D490,068 S 5/2004 Chen  
 D492,323 S 6/2004 Wang  
 D494,188 S 8/2004 Huang  
 D497,618 S 10/2004 Andre et al.  
 D499,423 S 12/2004 Bahroocha et al.  
 D499,424 S 12/2004 Bahroocha  
 D503,409 S \* 3/2005 Wong et al. .... D14/496  
 D506,476 S 6/2005 Andre et al.  
 D507,003 S 7/2005 Pai et al.  
 D507,277 S 7/2005 Sitoh  
 6,920,344 B2 7/2005 Jang  
 D509,833 S 9/2005 Yang  
 D510,937 S 10/2005 Tsai  
 D511,347 S 11/2005 Naruki  
 D511,529 S 11/2005 Sassano  
 D512,403 S 12/2005 Yang  
 6,977,675 B2 12/2005 Kotzin  
 D513,512 S 1/2006 Tsai  
 D514,120 S 1/2006 Chan  
 D514,121 S 1/2006 Johnson  
 D514,589 S 2/2006 Chen  
 D515,099 S 2/2006 Lee  
 D515,545 S \* 2/2006 Griffin ..... D14/155  
 D515,546 S 2/2006 Mu  
 D516,576 S 3/2006 Ive et al.  
 D516,579 S 3/2006 Nakamura  
 D517,088 S 3/2006 Chong et al.  
 7,013,164 B2 \* 3/2006 Lin ..... 455/557  
 D518,290 S 4/2006 Andre et al.  
 D519,523 S 4/2006 Chiu et al.  
 D520,020 S 5/2006 Senda et al.  
 7,046,230 B2 5/2006 Zadesky et al.  
 D525,986 S 8/2006 Kim  
 D529,512 S 10/2006 Reawsanguanwong  
 D534,184 S \* 12/2006 Leija et al. .... D14/496  
 D534,545 S \* 1/2007 Leija et al. .... D14/496  
 D538,820 S 3/2007 Andre et al.  
 D539,814 S \* 4/2007 Andre et al. .... D14/496  
 D541,297 S 4/2007 Andre et al.  
 D541,298 S 4/2007 Andre et al.  
 D541,299 S 4/2007 Andre et al.

D542,306 S 5/2007 Andre et al.  
 D542,808 S 5/2007 Andre et al.  
 D543,553 S 5/2007 Langberg et al.  
 7,230,822 B2 6/2007 Langbert et al.  
 D548,744 S 8/2007 Andre et al.  
 D548,745 S 8/2007 Andre et al.  
 D548,746 S 8/2007 Andre et al.  
 D548,747 S 8/2007 Andre et al.  
 D549,237 S 8/2007 Andre et al.  
 D551,680 S 9/2007 Andre et al.  
 2004/0224638 A1 11/2004 Fadell et al.

FOREIGN PATENT DOCUMENTS

CN 3260633 10/2002  
 CN 3269799 12/2002  
 CN 3286007 4/2003  
 CN 3287344 4/2003  
 CN 3331371 10/2003  
 CN 339759 12/2003  
 CN 3375890 6/2004  
 CN 3380859 7/2004  
 CN 3389184 9/2004  
 CN 3389185 9/2004  
 CN 3453893 6/2005  
 CN 3453894 6/2005  
 CN 3453909 6/2005  
 CN 3468582 8/2005  
 CN 3468598 8/2005  
 CN 3480659 10/2005  
 CN 3484184 11/2005  
 CN 3490573 12/2005  
 CN 3490574 12/2005  
 CN 3509995 3/2006  
 CN 3513646 3/2006  
 CN 3518964 4/2006  
 CN 3518979 4/2006  
 CN 3534319 6/2006  
 CN 3543434 7/2006  
 CN 3545312 7/2006  
 CN 3549064 8/2006  
 JP 1228217 1/2005

OTHER PUBLICATIONS

U.S. Appl. No. 29/237,232, Andre et al., Handheld Portable Computing Device, filed Aug. 24, 2005.  
 U.S. Appl. No. 29/287,025, Andre et al., Media Device, filed Jul. 10, 2007.  
 U.S. Appl. No. 29/288,717, Andre et al., Media Device, filed Jun. 20, 2007.  
 U.S. Appl. No. 29/196,832, Andre et al., Media Device, filed Jan. 5, 2004.  
 U.S. Appl. No. 29/224,220, Andre et al., Electronic Device, filed Feb. 25, 2005.  
 U.S. Appl. No. 29/281,530, Andre et al., Media Device, filed Jun. 26, 2007.  
 Apple iPod, product sheet, Mac Mall.com (on line), (c) 2005-2005, (retrieved on Aug. 25, 2007) retrieved on internet <URL:http://www.Macmall.com>, 2 pages.  
 Apple iPod U2 special edition (20GB), product sheet, Selectmore.com (on line), (c) 1998-2004 (retrieved on Aug. 25, 2007) retrieved on internet <URL:http://www.selectmore.com>, 5 pages.  
 Apple iPod U2 special edition black, product sheet, Winbuyer.com (on line), (retrieved on Aug. 25, 2007) retrieved on internet <URL:http://www.winbuyer.com>, 4 pages.  
 Black iPod player, product sheet, Satsig.ntblack-ipod.htm. (c) 2007, (retrieved on internet Aug. 8, 2007), 1 page.  
 HA16004656, Design of HDD Mobile Audio Player, Received by National Center for Industrial Property Information on Apr. 14, 2004. Publication "Good Press" issued on May 10, 2004, No. 5, p. 47.

\* cited by examiner

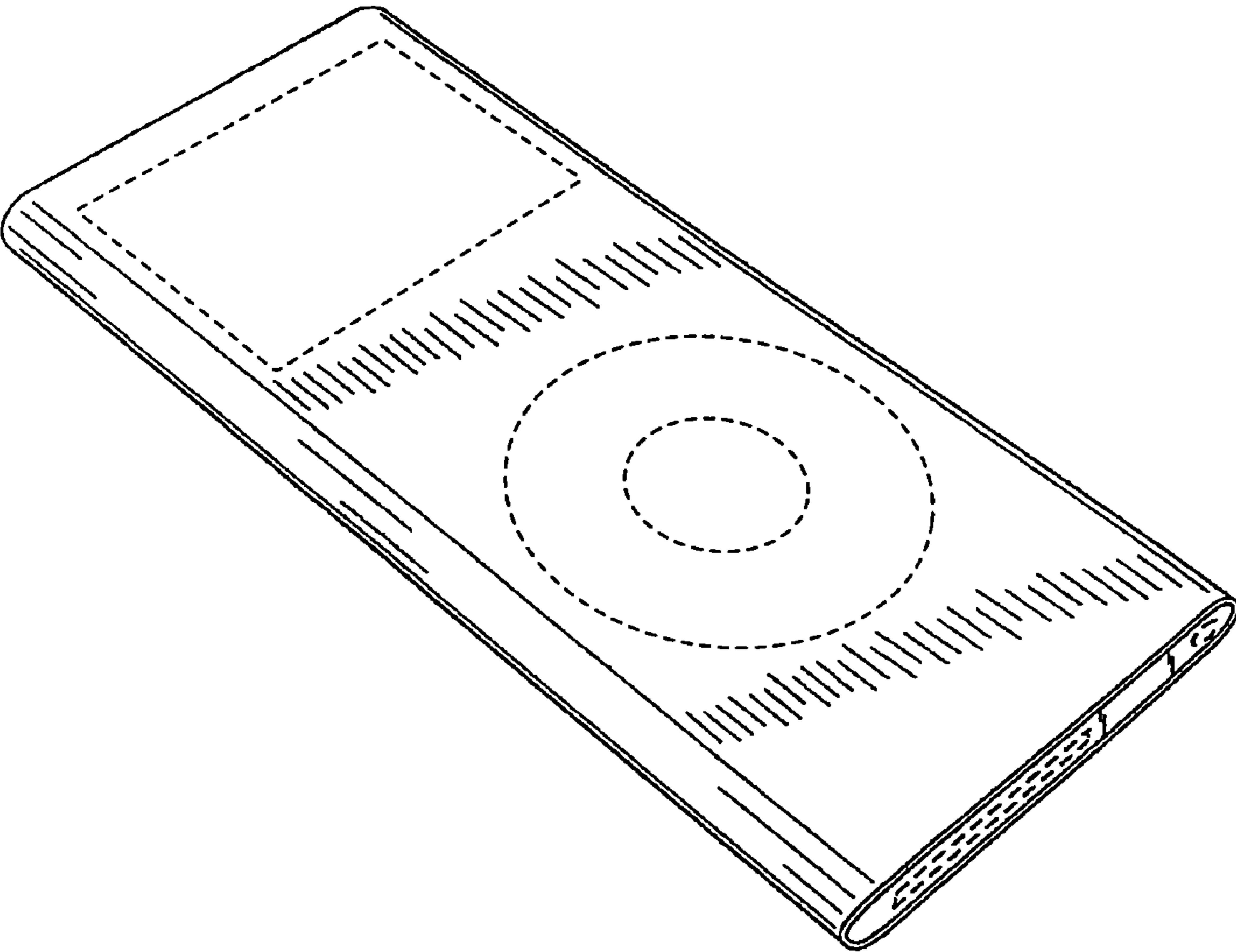


FIG. 1

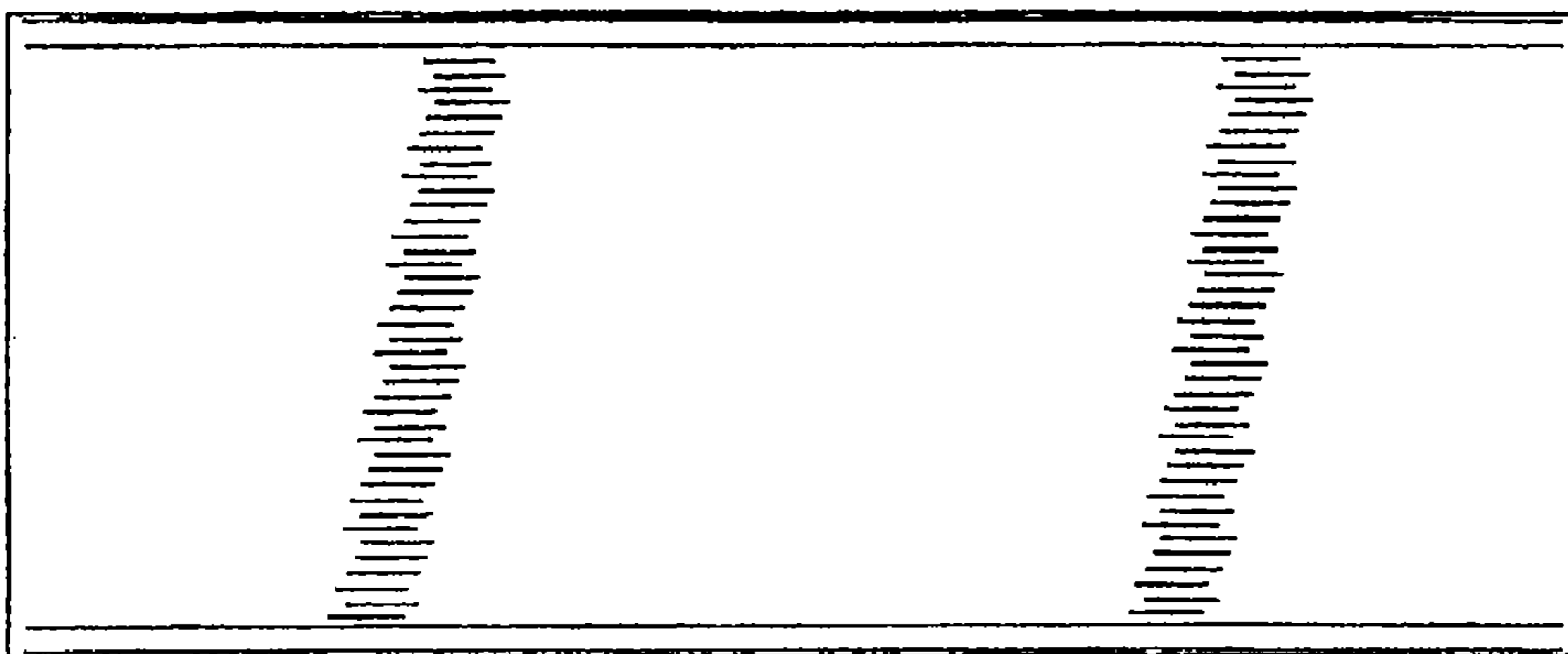


FIG. 3

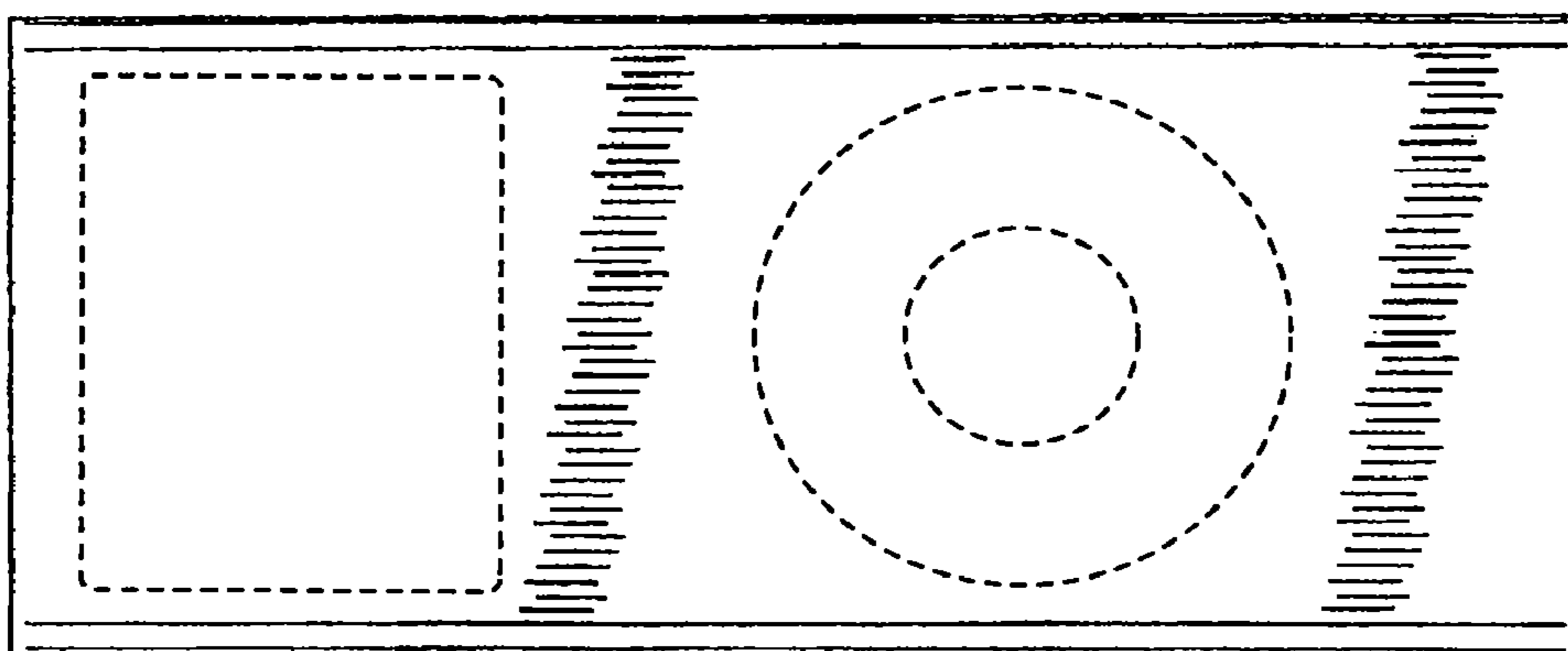


FIG. 2

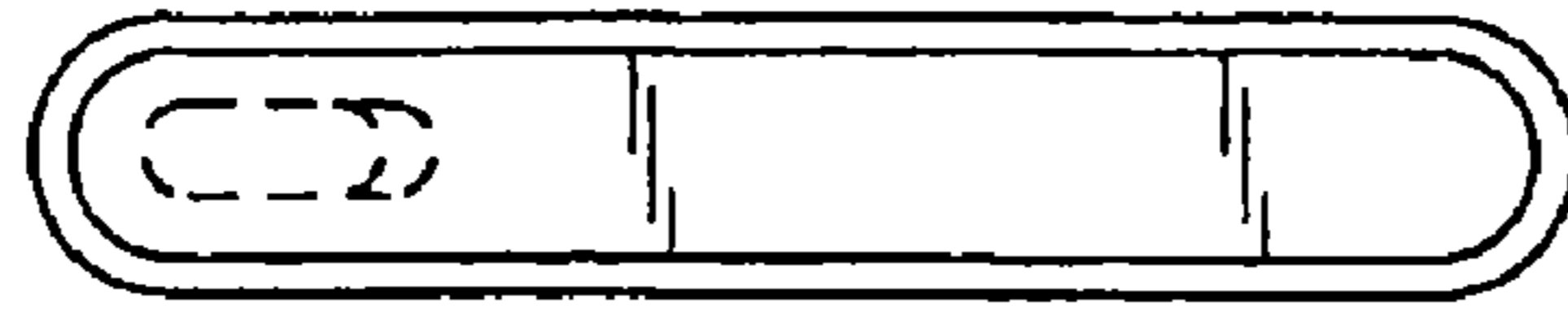


FIG. 4

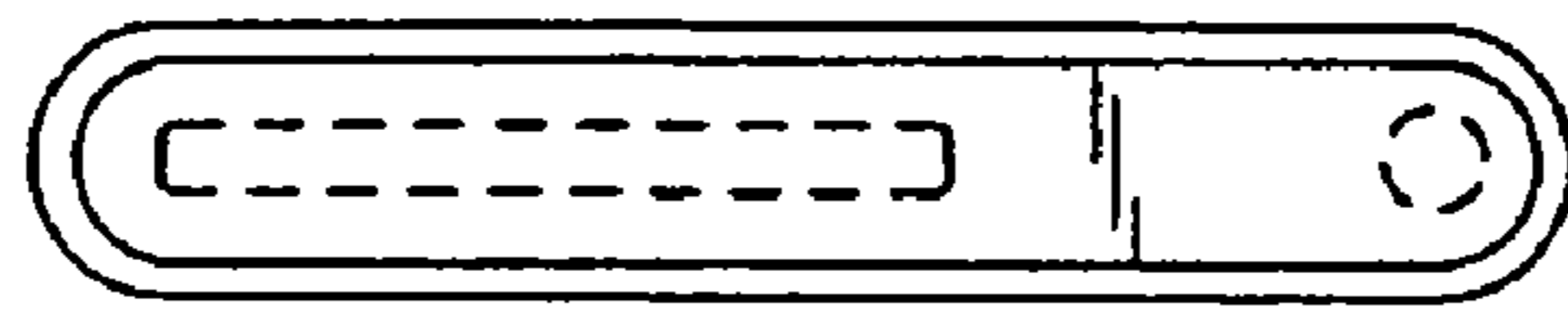


FIG. 5

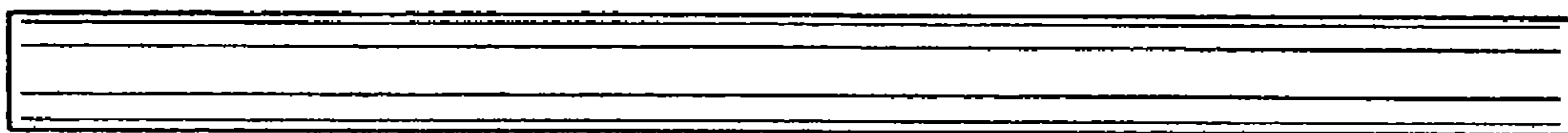


FIG. 6

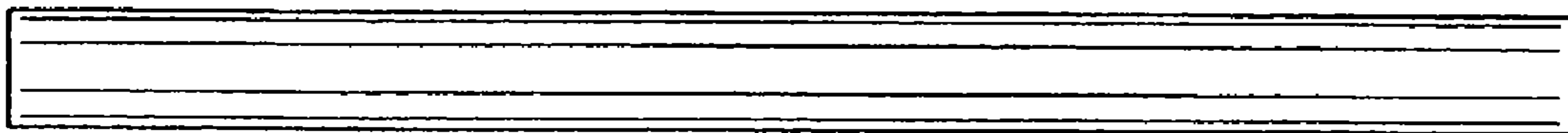


FIG. 7