



US00D580952S

(12) **United States Design Patent**
Liu

(10) **Patent No.:** **US D580,952 S**
(45) **Date of Patent:** **** Nov. 18, 2008**

(54) **MP3 PLAYER**

D552,127 S * 10/2007 Song D14/496
7,303,282 B2 * 12/2007 Dwyer et al. 353/15

(76) Inventor: **Keng-Yuan Liu**, 8F-2, No. 6, Lane 609,
Sec. 5, Chongxin Rd., Sanchong City,
Taipei County (TW) 241

* cited by examiner

Primary Examiner—Prabhakar Deshmukh
(74) *Attorney, Agent, or Firm*—WPAT, P.C.; Anthony King

(**) Term: **14 Years**

(21) Appl. No.: **29/284,844**

(57) **CLAIM**

(22) Filed: **Sep. 17, 2007**

The ornamental design for a MP3 player, as shown and described.

(51) **LOC (8) Cl.** **14-03**

(52) **U.S. Cl.** **D14/496**

(58) **Field of Classification Search** D14/496,
D14/401, 435, 474, 483, 217, 137, 138, 160,
D14/168; 345/156, 169, 173–179, 905; 715/727–729,
715/864; 710/1, 5, 8; 713/1, 600; 455/11,
455/1.7, 73, 344–347, 93, 95; 370/342–344;
369/1, 2, 6, 12; 463/43–47; 273/148 B
See application file for complete search history.

DESCRIPTION

FIG. 1 is a perspective view of a MP3 player;
FIG. 2 is a front elevation thereof;
FIG. 3 is a rear elevation thereof;
FIG. 4 is a left side elevation thereof;
FIG. 5 is a right side elevation thereof;
FIG. 6 is a top plan view thereof; and,
FIG. 7 is a bottom view thereof.

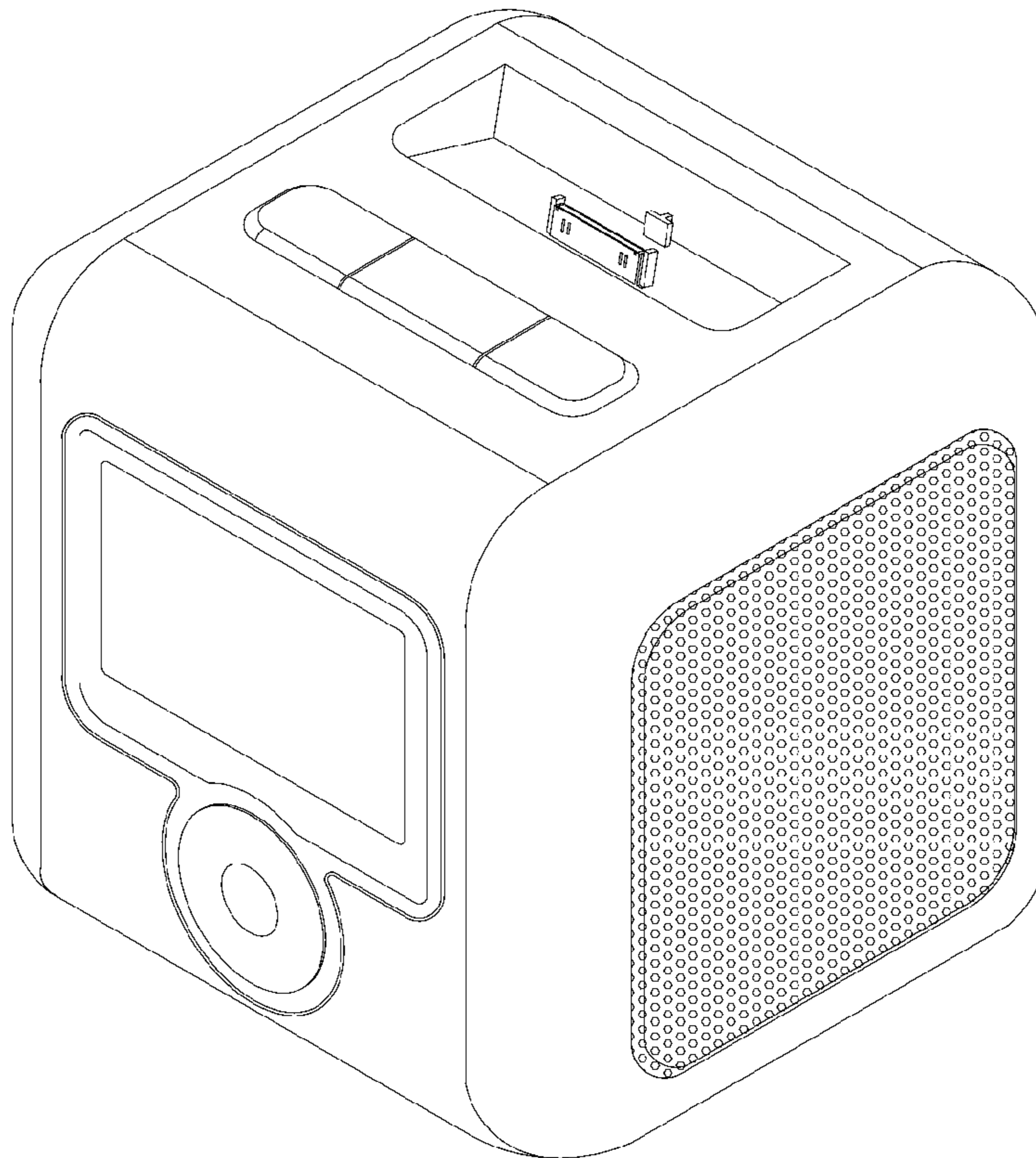
(56) **References Cited**

U.S. PATENT DOCUMENTS

6,565,444 B2 * 5/2003 Nagata et al. 463/46
6,869,320 B2 * 3/2005 Haas et al. 439/701
D504,409 S * 4/2005 Kim D14/156
D519,522 S * 4/2006 Lee D14/496
D520,519 S * 5/2006 Chin et al. D14/496
D542,303 S * 5/2007 Cheng D14/496

The broken lines immediately adjacent to the claimed areas in the views represent the boundaries of the design. Other broken lines in the figures illustrate the portions of the design that form no part of the claim. None of the broken lines form any part of the claimed design.

1 Claim, 7 Drawing Sheets



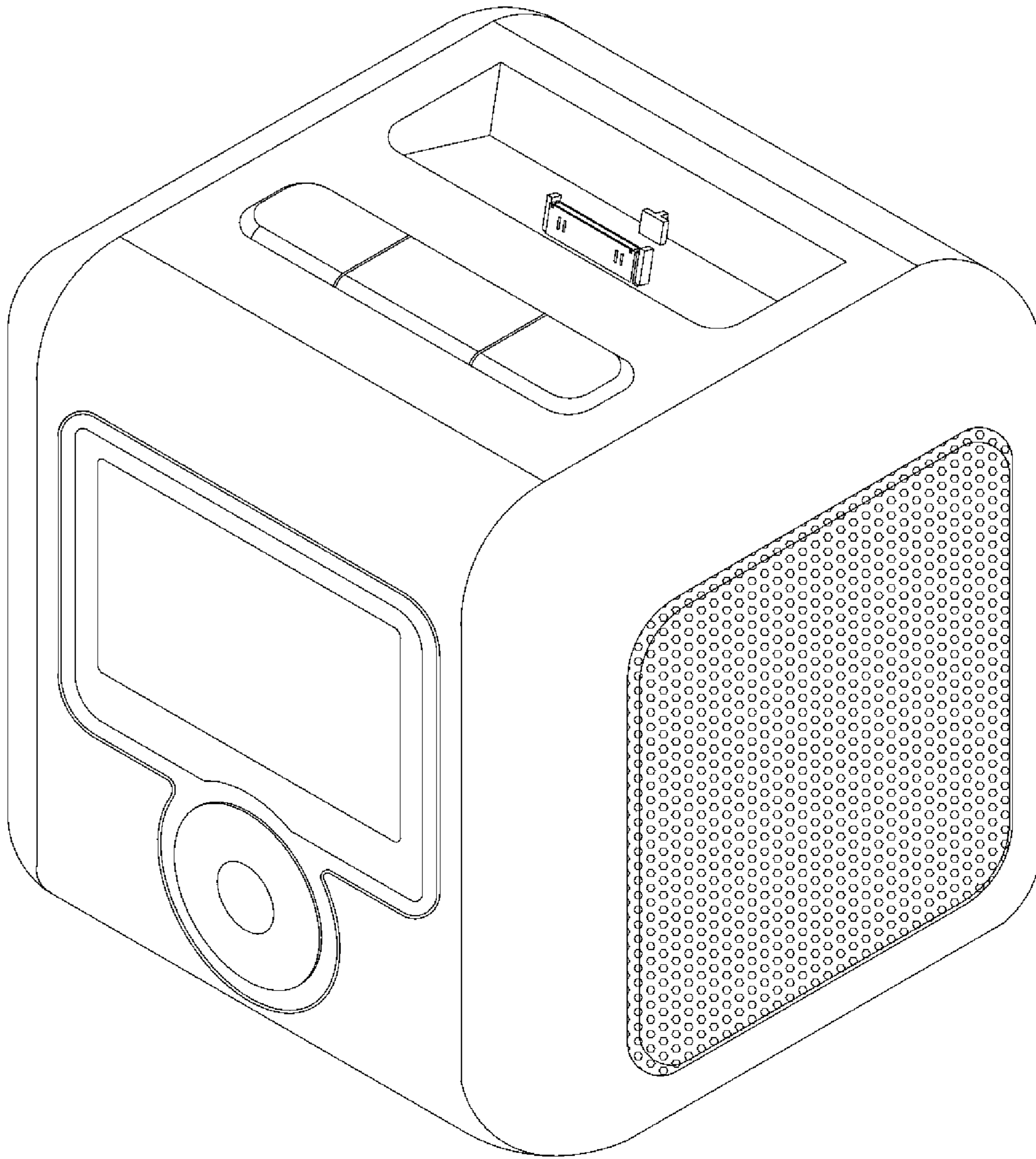


Fig. 1

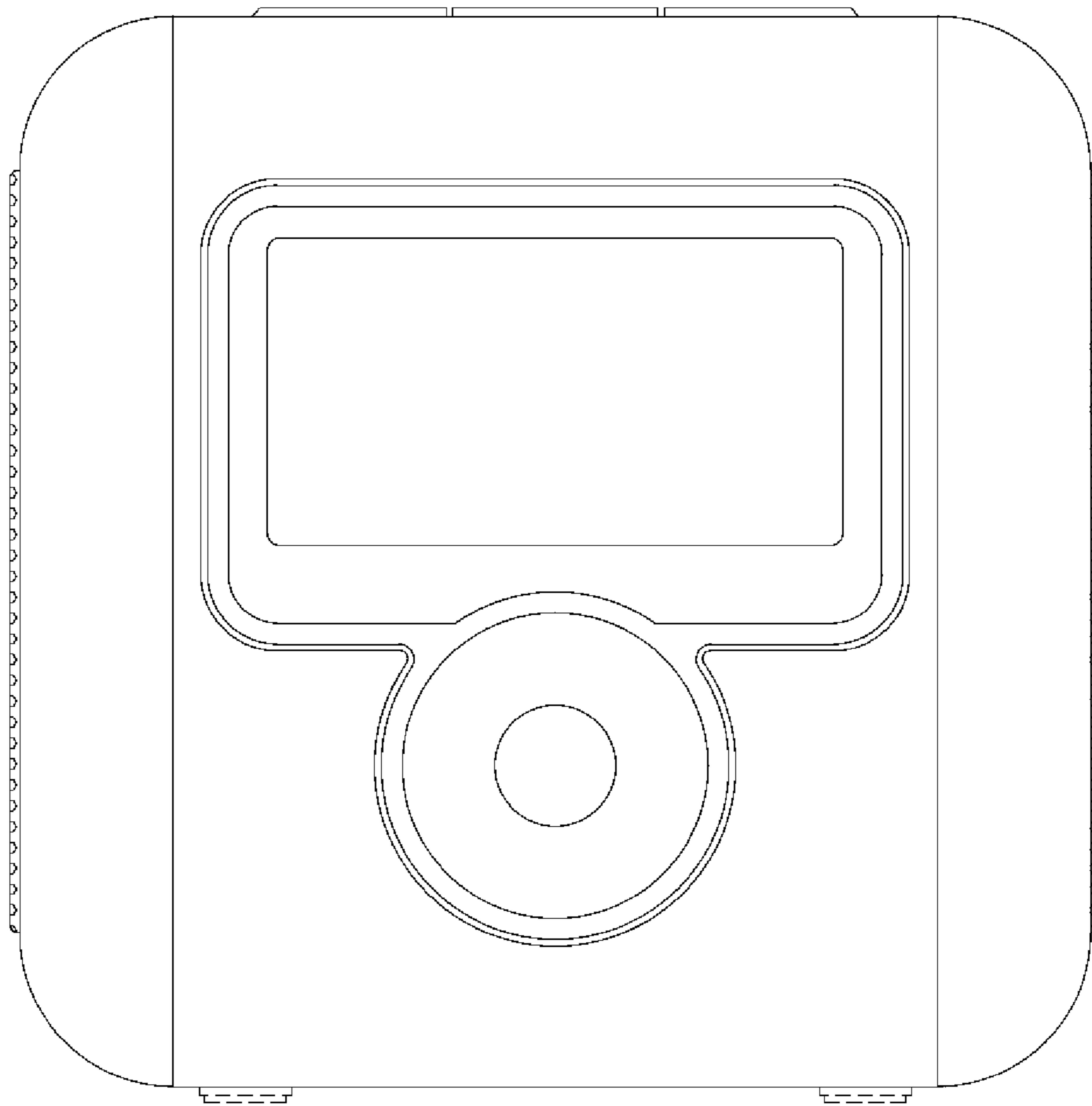


Fig. 2

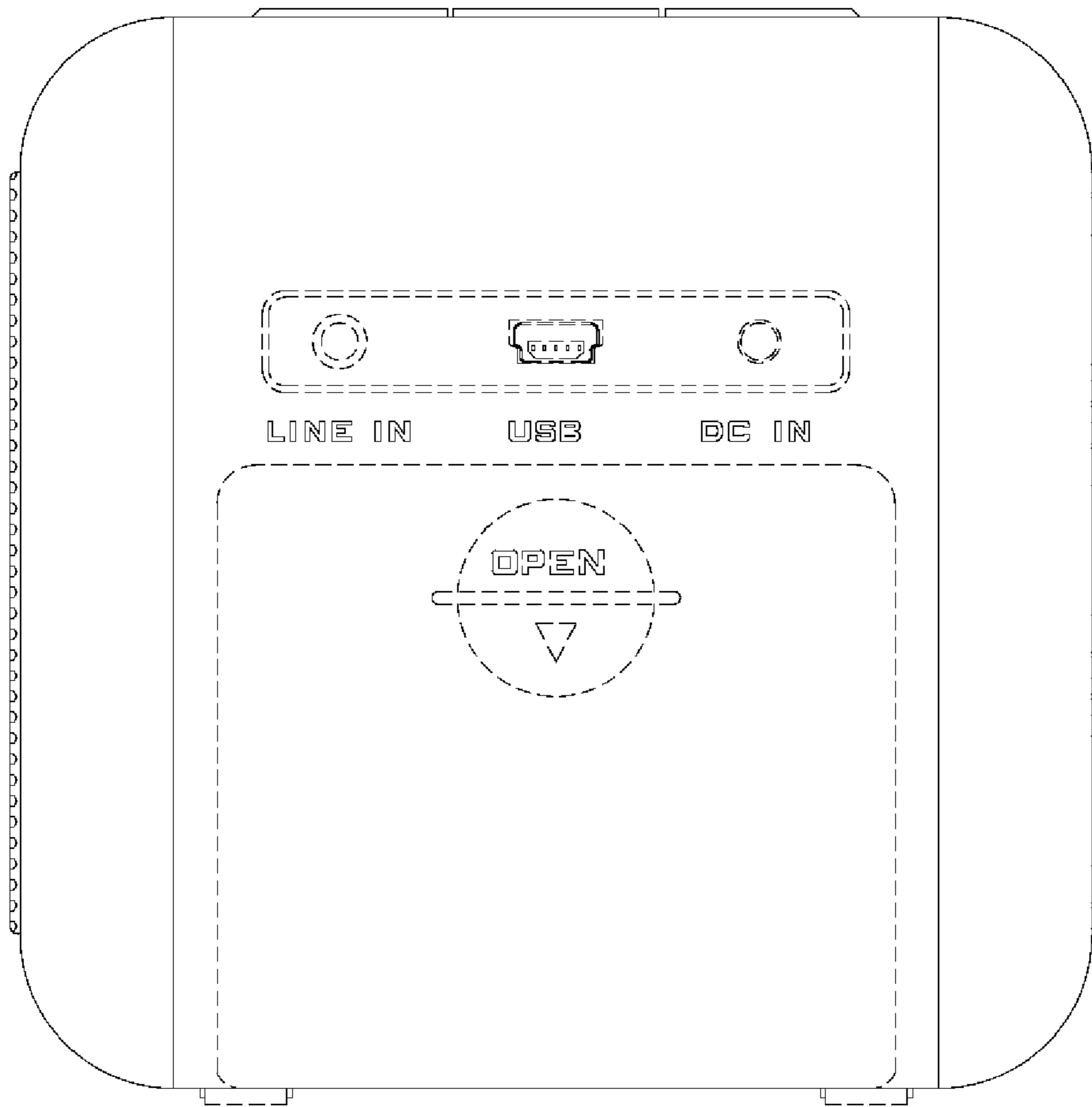


Fig. 3

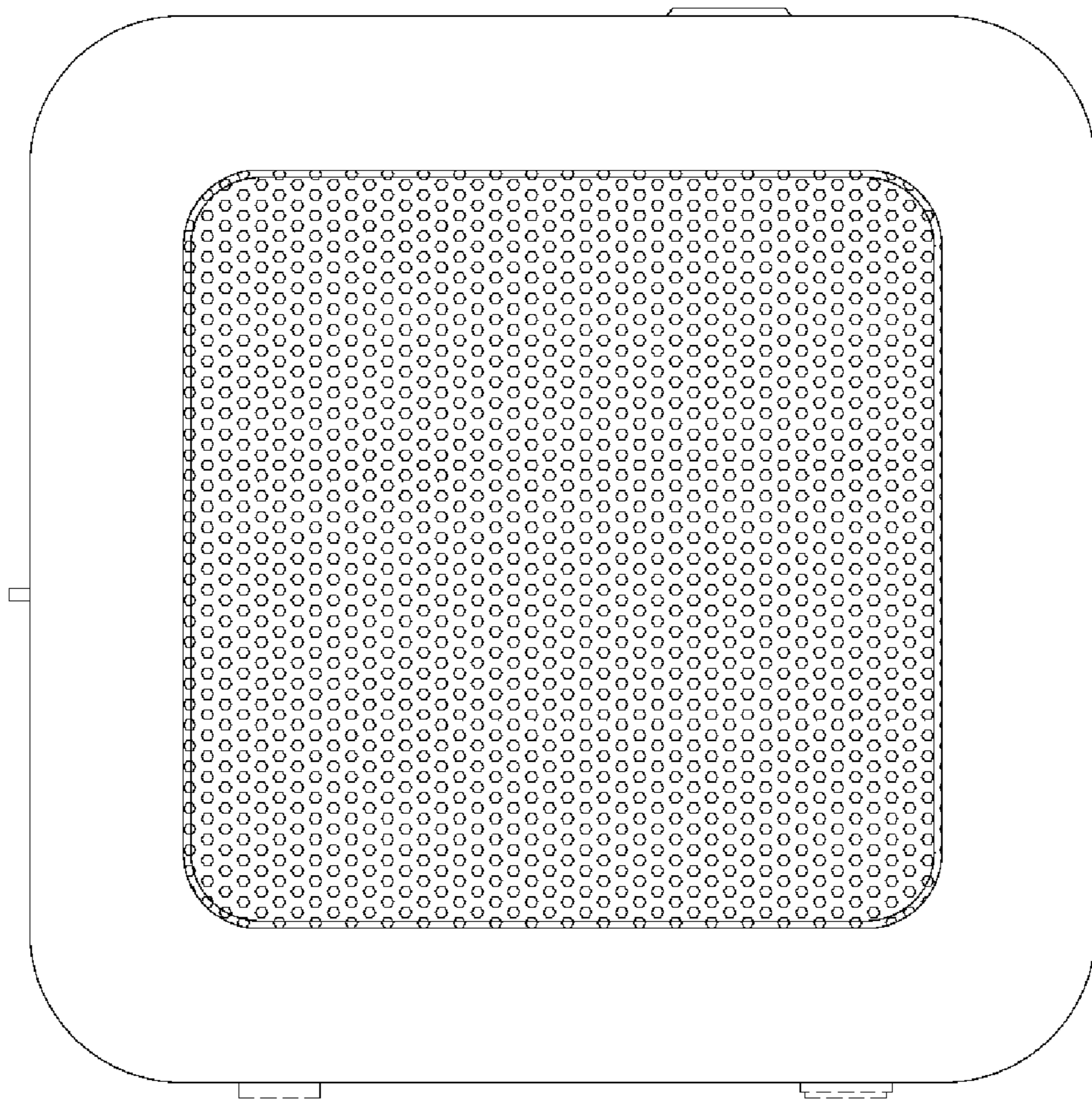


Fig. 4

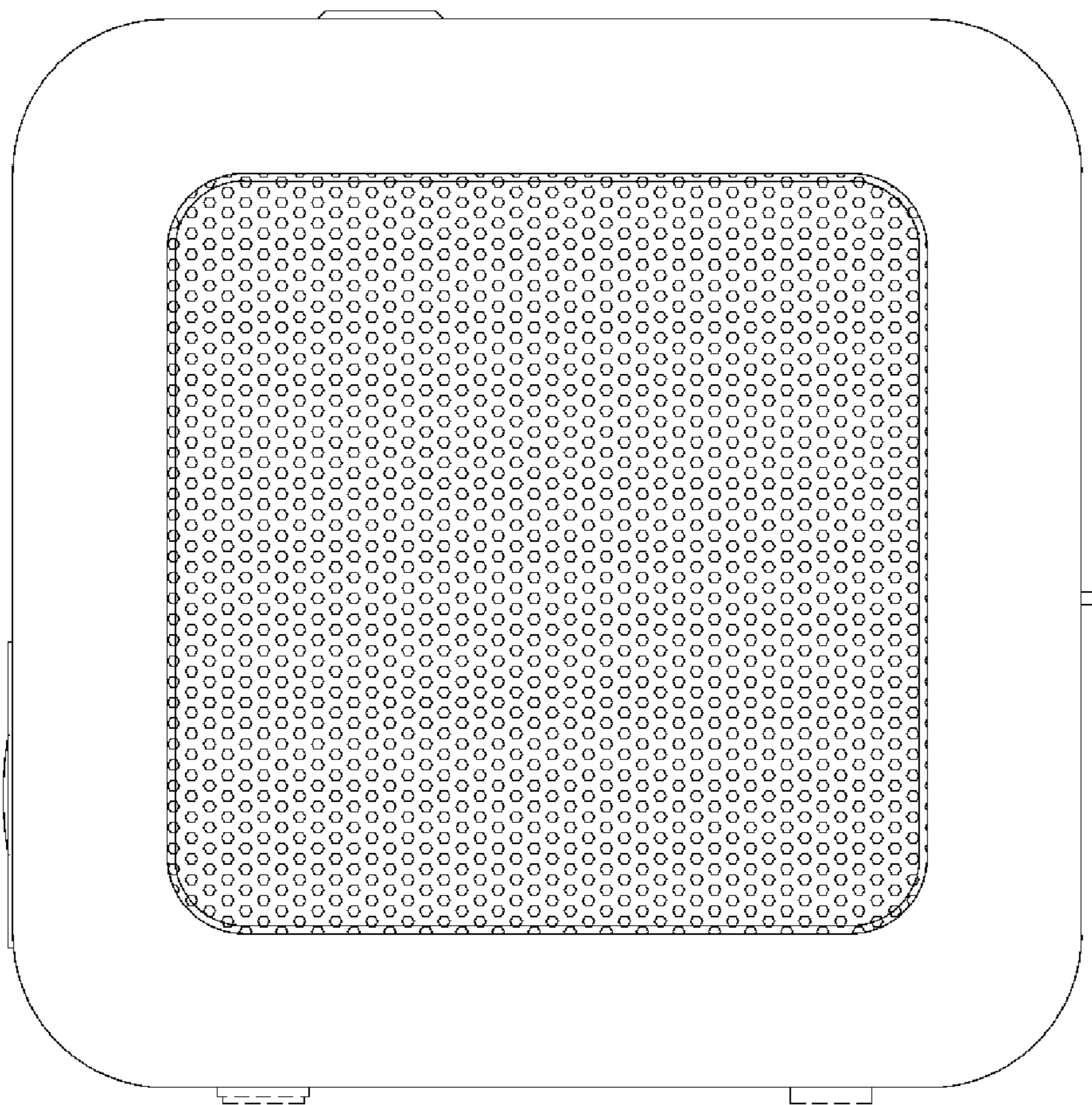


Fig. 5

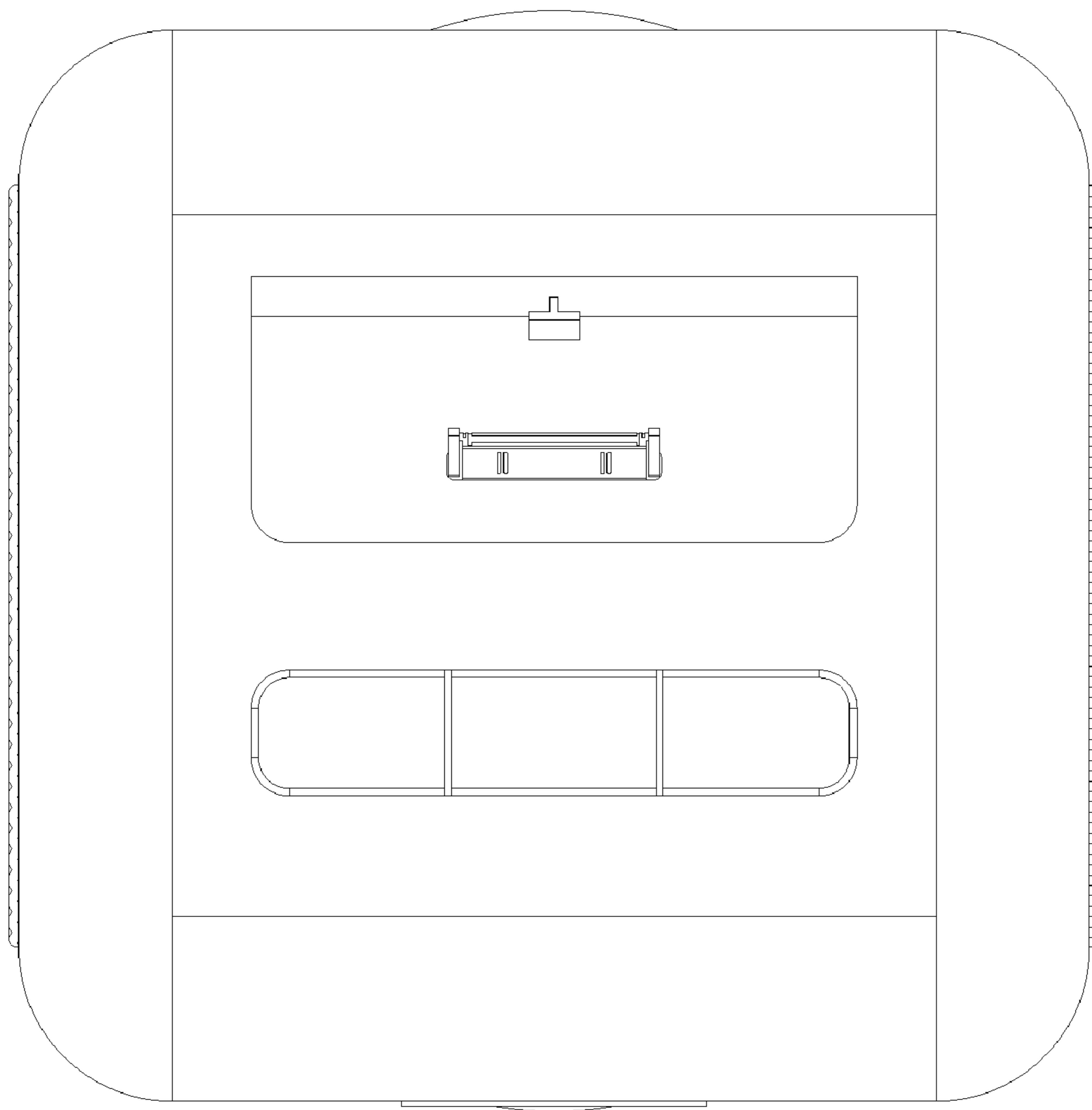


Fig. 6

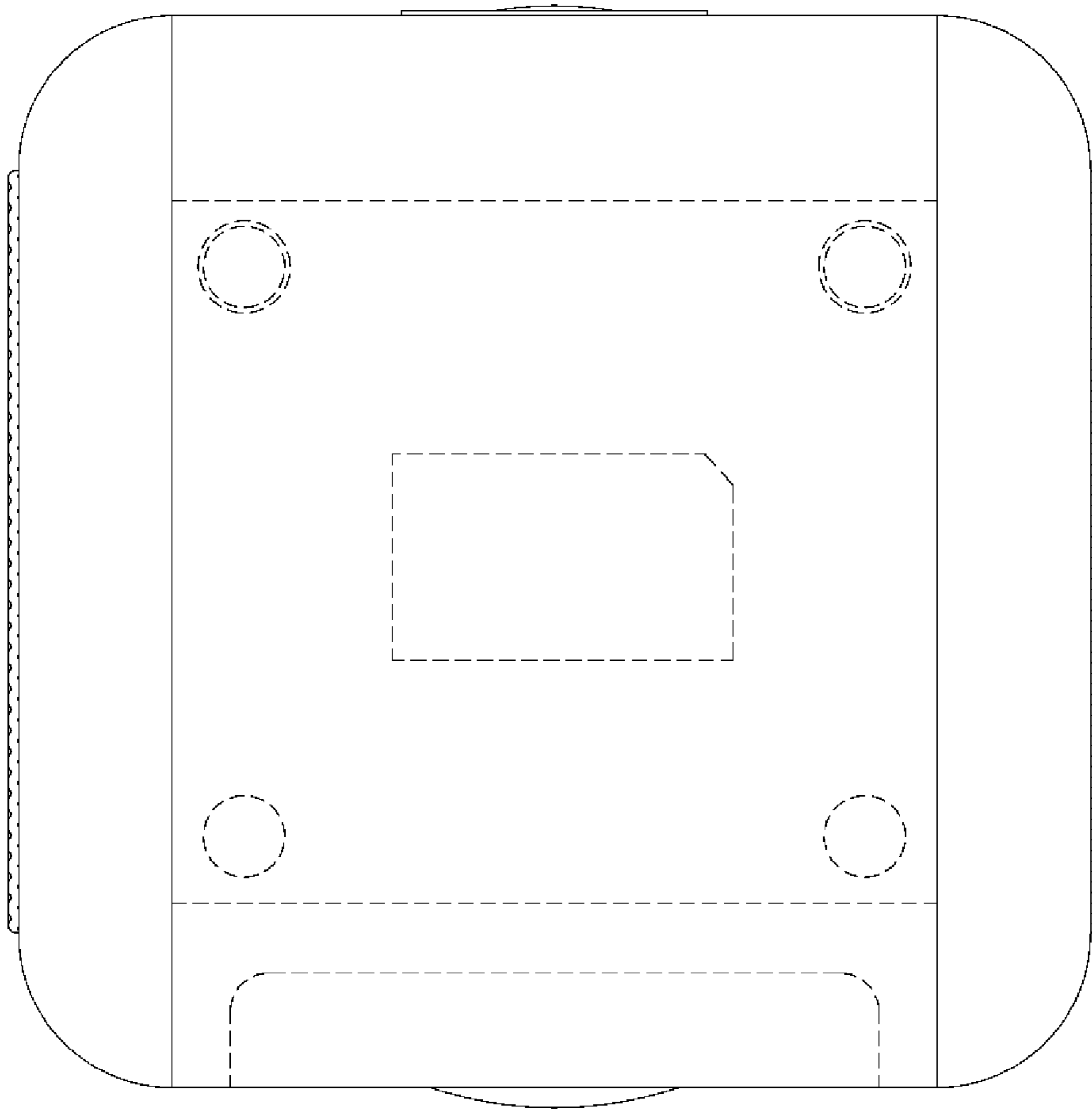


Fig. 7