



US00D580940S

(12) **United States Design Patent**
Dabov

(10) **Patent No.:** **US D580,940 S**
(45) **Date of Patent:** **** Nov. 18, 2008**

(54) **KEYPAD**

(75) Inventor: **Teodor Dabov**, Toronto (CA)

(73) Assignee: **Research In Motion Limited**, Waterloo,
Ontario (CA)

(**) Term: **14 Years**

(21) Appl. No.: **29/231,438**

(22) Filed: **Jun. 3, 2005**

(51) **LOC (8) Cl.** **14-02**

(52) **U.S. Cl.** **D14/455**

(58) **Field of Classification Search** D14/137,
D14/138, 144, 147, 148, 218, 247, 248, 329,
D14/331, 333, 338-9, 341-7, 387, 390-2,
D14/396-399, 432, 454, 455, 456; D18/1,
D18/2, 6, 7, 12.2, 25, 52; D21/329; 235/145 R;
341/22, 27, 28; 345/168, 169, 170, 171,
345/172, 947, 948; 379/368, 915, 433.07;
400/109, 110, 111, 472, 484, 485, 486, 488,
400/489, 490, 491, 492; 455/550.1, 556.2,
455/186.2

See application file for complete search history.

(56) **References Cited**

U.S. PATENT DOCUMENTS

3,848,723 A * 11/1974 Hogue 400/490
D491,930 S * 6/2004 Widiaman D14/247
D499,088 S * 11/2004 Sheu D14/247
D516,547 S * 3/2006 Tyneski et al. D14/247

D516,548 S * 3/2006 Corley et al. D14/247
D521,506 S * 5/2006 Tyneski et al. D14/247
D523,007 S * 6/2006 Corley et al. D14/247
D523,423 S * 6/2006 Corley et al. D14/247
D523,834 S * 6/2006 Liao D14/138
D524,803 S * 7/2006 Tyneski et al. D14/247
2004/0165924 A1 * 8/2004 Griffin 400/486
2006/0058063 A1 * 3/2006 Bocking et al. 455/556.2
2006/0103553 A1 * 5/2006 Pathiyal 341/22

* cited by examiner

Primary Examiner—Cathron Brooks

Assistant Examiner—Angela J Lee

(74) *Attorney, Agent, or Firm*—Brij K. Agarwal; Eckert
Seamans Cherin & Mellot, LLC

(57) **CLAIM**

The ornamental design for a keypad, as shown and described.

DESCRIPTION

FIG. 1 is a perspective view of a keypad depicting my new design;

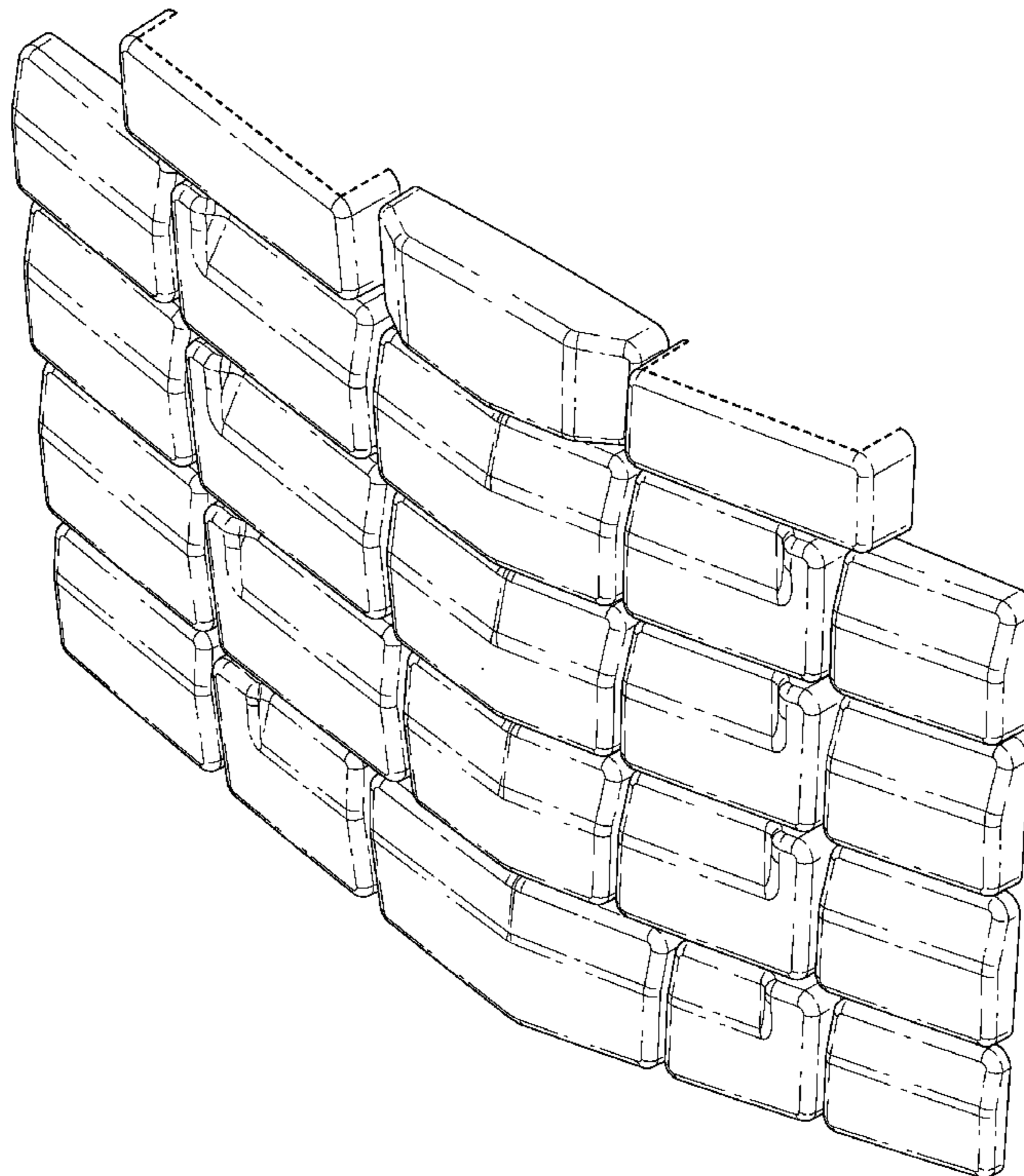
FIG. 2 is another perspective view thereof; and

FIG. 3 is a front elevational view thereof; and,

FIG. 4 is an enlarged view of an indicated portion of FIG. 1. The enlarged view shows additional surface shading that is not shown in the other views for ease of illustration.

The broken lines are included for the purpose of illustrating boundaries and form no part of the claimed design.

1 Claim, 4 Drawing Sheets



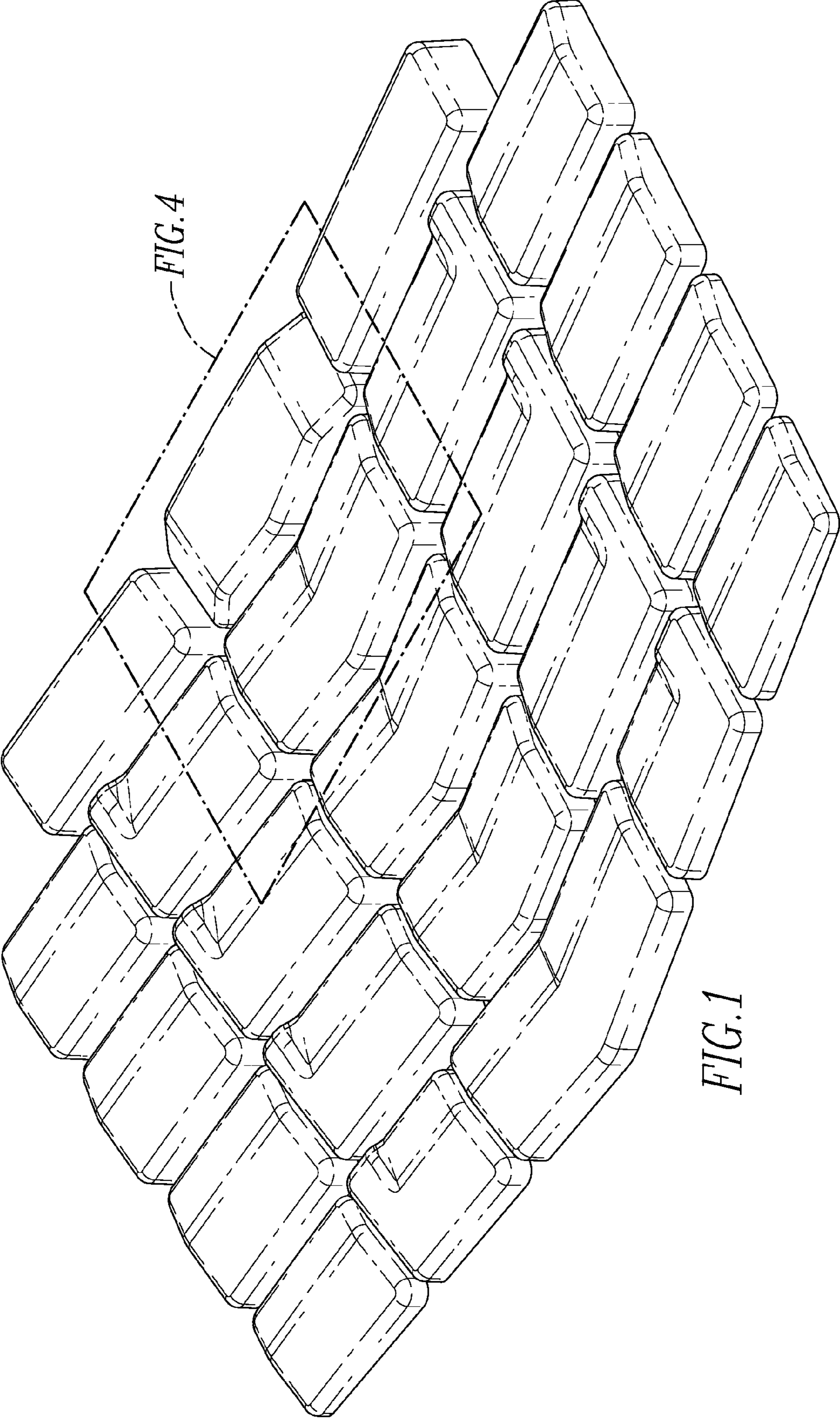


FIG. 4

FIG. 1

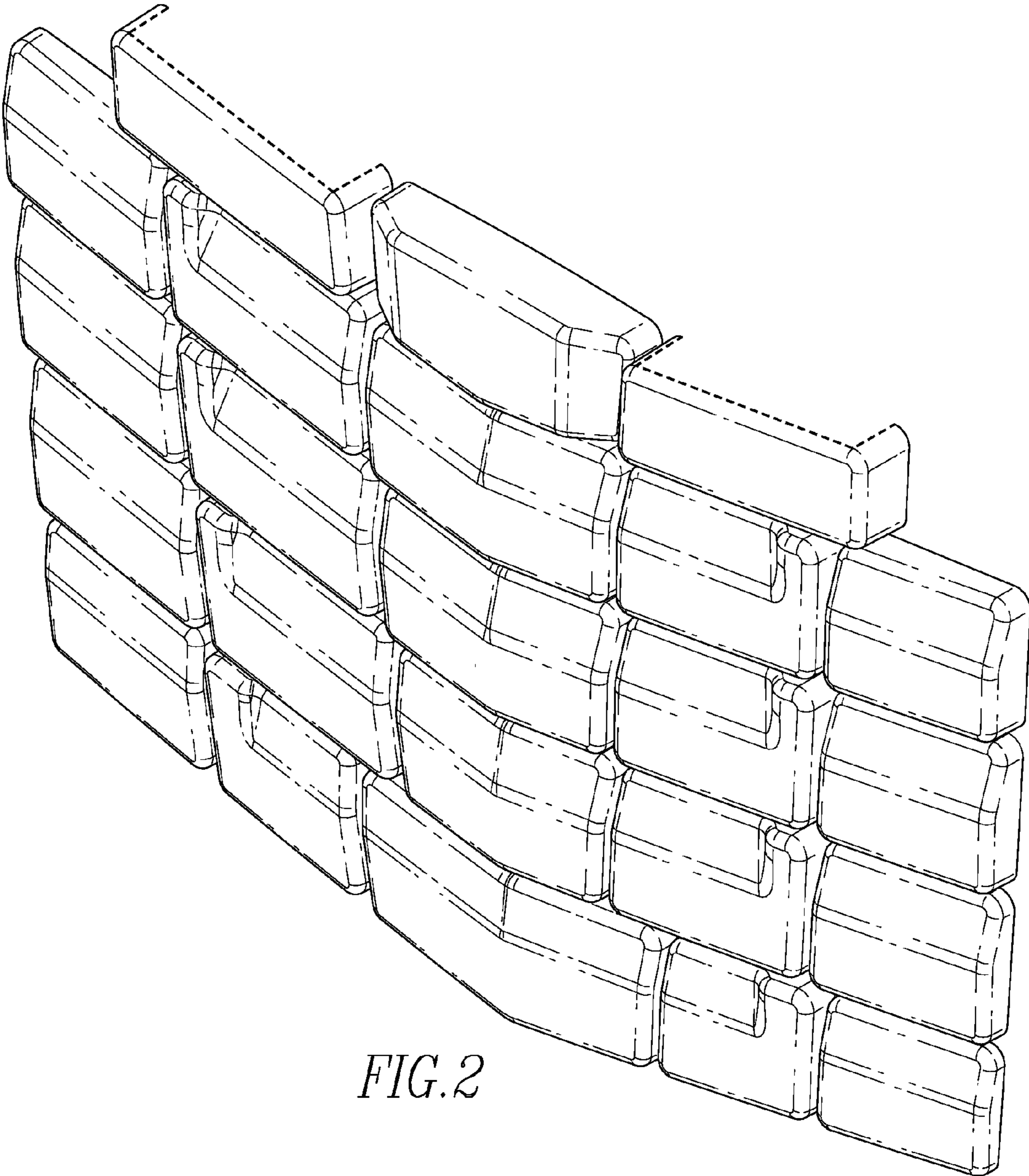


FIG. 2

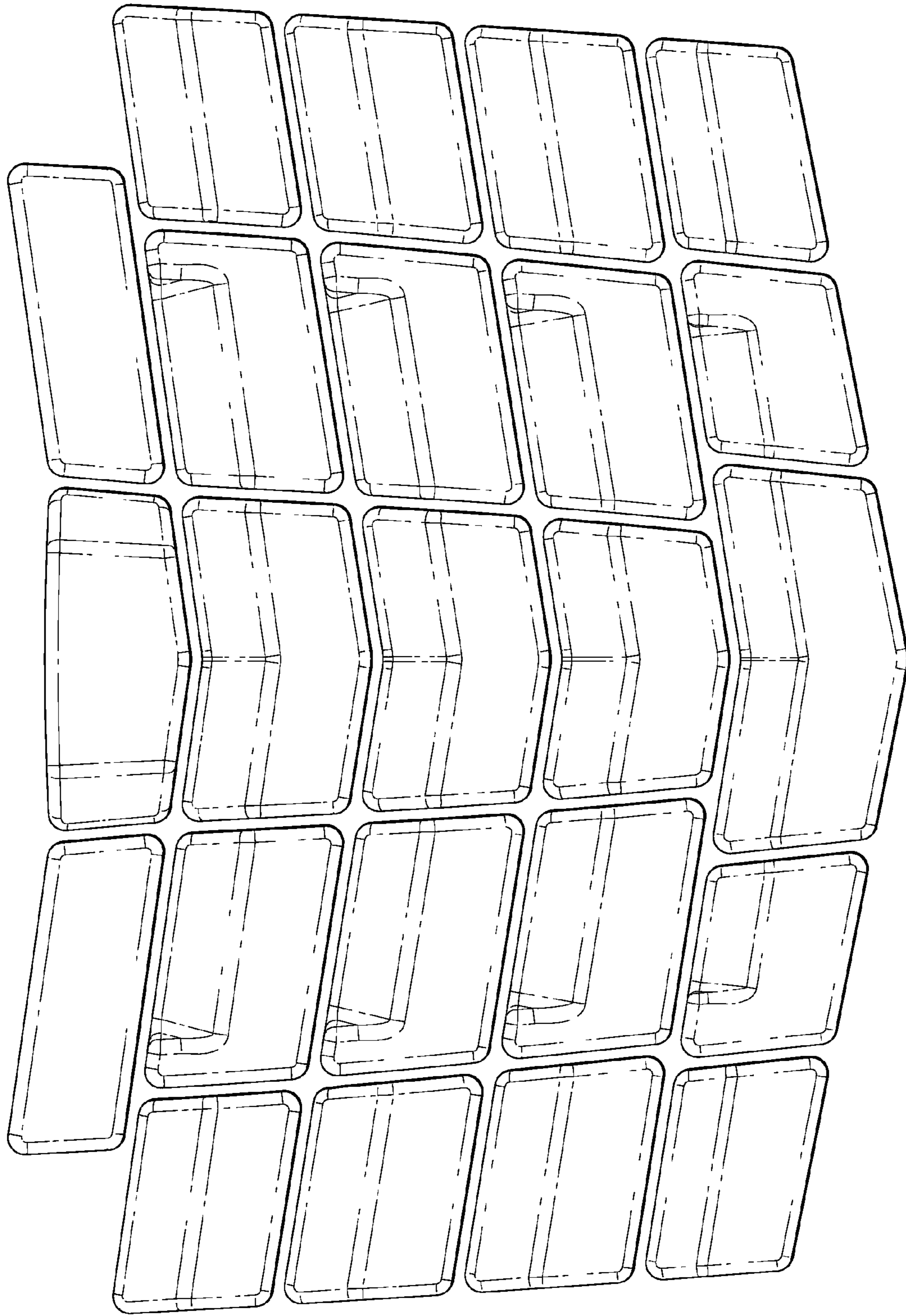


FIG. 3

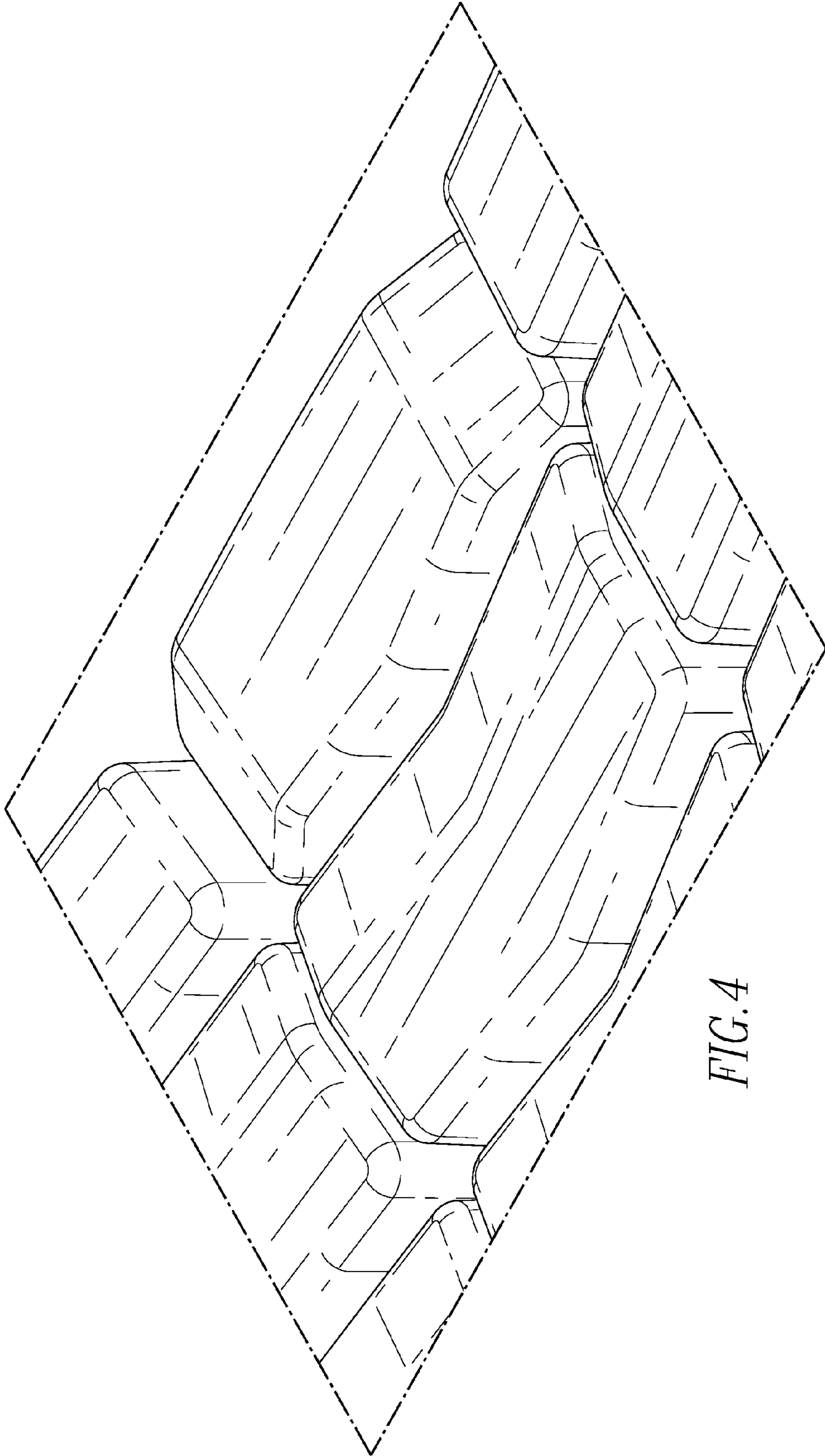


FIG. 4

UNITED STATES PATENT AND TRADEMARK OFFICE
CERTIFICATE OF CORRECTION

PATENT NO. : Des. 580,940 S
APPLICATION NO. : 29/231438
DATED : November 18, 2008
INVENTOR(S) : Teodor Dabov

Page 1 of 1

It is certified that error appears in the above-identified patent and that said Letters Patent is hereby corrected as shown below:

On the title page, (73), Assignee, delete "Ontarrio" and insert therefor -- Ontario --.

Signed and Sealed this

Eighth Day of June, 2010

A handwritten signature in black ink that reads "David J. Kappos". The signature is written in a cursive style with a large initial 'D' and a stylized 'K'.

David J. Kappos
Director of the United States Patent and Trademark Office