

US00D580936S

(12) **United States Design Patent**  
**Meyer et al.**

(10) **Patent No.:** **US D580,936 S**

(45) **Date of Patent:** **\*\* Nov. 18, 2008**

(54) **KEYBOARD**

(75) Inventors: **Steven H. Meyer**, Austin, TX (US); **Joel A. East**, Austin, TX (US)

(73) Assignee: **iKey, Ltd.**, Austin, TX (US)

(\*\*) Term: **14 Years**

(21) Appl. No.: **29/276,621**

(22) Filed: **Jan. 31, 2007**

(51) **LOC (8) Cl.** ..... **14-02**

(52) **U.S. Cl.** ..... **D14/391**

(58) **Field of Classification Search** ..... D14/391-399,  
D14/385; D18/1, 2, 7, 11; 178/17 A, 17 C;  
200/5 A, 5 R, 6 A, 6 R; 235/145 A, 145 R;  
341/22, 23, 35; 345/160, 168; 400/484-486,  
400/488, 489, 492; D24/158; 708/144

See application file for complete search history.

(56) **References Cited**

**U.S. PATENT DOCUMENTS**

D220,218 S	3/1971	Jacobs et al.
D276,230 S	11/1984	Akiyama
4,563,550 A	1/1986	Bertina
4,772,769 A	9/1988	Shumate
4,823,311 A *	4/1989	Hunter et al. .... 708/144
5,096,317 A	3/1992	Phillippe
D340,445 S	10/1993	Marquardt et al.
D357,911 S	5/1995	Grant et al.
5,439,304 A	8/1995	Phillips et al.
D363,277 S	10/1995	Chung
D365,552 S	12/1995	Marquardt et al.
D366,256 S	1/1996	Landry et al.
D379,179 S	5/1997	Kawauchi et al.
D387,050 S	12/1997	Chen
5,717,565 A	2/1998	Raasch
5,743,381 A	4/1998	Patak et al.
5,777,281 A	7/1998	Riddiford
D404,392 S	1/1999	Inbal et al.
5,903,548 A	5/1999	Delamater
5,923,522 A	7/1999	Sajna
D413,319 S	8/1999	Louis et al.

6,016,423 A	1/2000	Ross et al.
6,031,470 A	2/2000	Asari et al.
D422,273 S	4/2000	Lee
6,057,517 A	5/2000	Meyer
D428,888 S	8/2000	Ledbetter et al.
D434,765 S	12/2000	Mikan
6,215,420 B1 *	4/2001	Harrison et al. .... 341/22
6,219,038 B1	4/2001	Cho
D441,361 S	5/2001	Sanders
D455,428 S	4/2002	Andres et al.
D456,409 S	4/2002	Mason
6,424,522 B1	7/2002	Lin et al.

(Continued)

**OTHER PUBLICATIONS**

Motorola MW-520 Police Car MDT Computer Radio Fire; Internet Ebay Auction (<http://hub.ebay.com/buy>); Item No. 120154541913; Item description states keyboard manufactured in 1998; Item posted prior to Mar. 17, 2008; (4 pages).

(Continued)

*Primary Examiner*—Freda S Nunn

(74) *Attorney, Agent, or Firm*—Meyertons Hood Kivlin Kowert & Goetzel, P.C.; Jeffrey C. Hood; Russell E. Henrichs

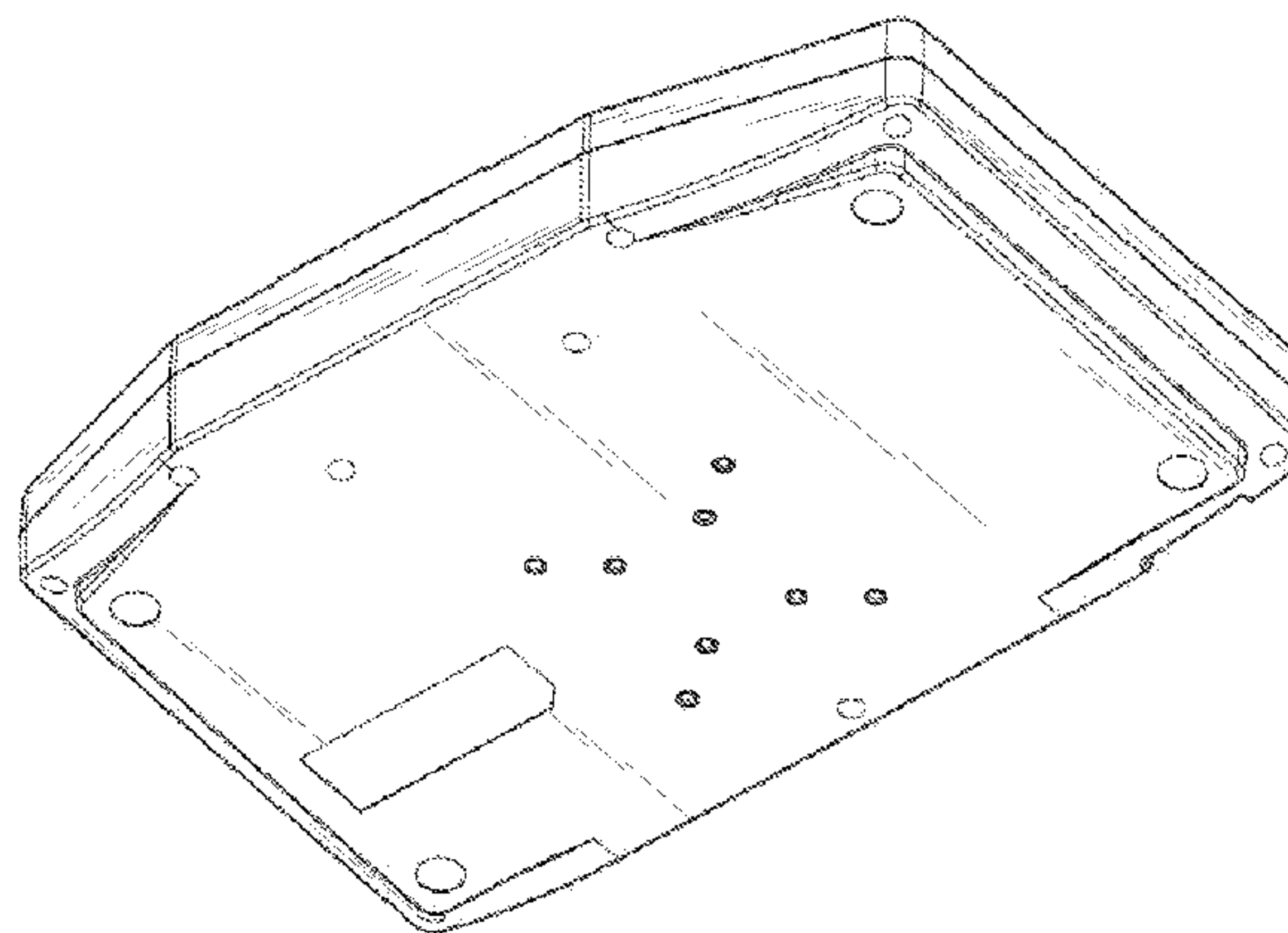
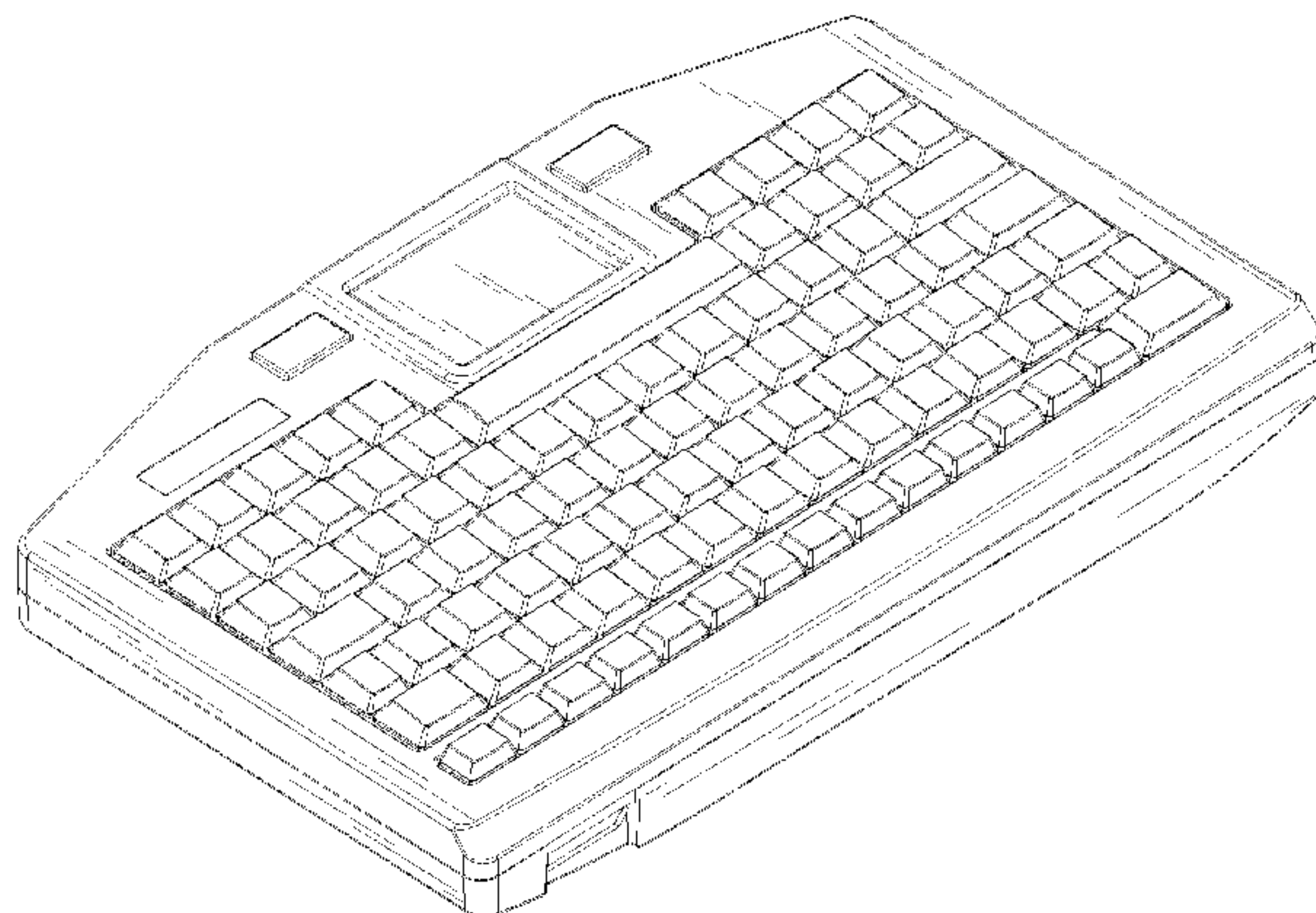
(57) **CLAIM**

The ornamental design for a keyboard, as shown and described.

**DESCRIPTION**

FIG. 1 is a top-back-right perspective view thereof;  
FIG. 2 is a bottom-front-right perspective view thereof;  
FIG. 3 is a top view thereof;  
FIG. 4 is a front view thereof;  
FIG. 5 is a bottom view thereof;  
FIG. 6 is a back view thereof;  
FIG. 7 is a right view thereof; and,  
FIG. 8 is a left view thereof.

**1 Claim, 4 Drawing Sheets**



U.S. PATENT DOCUMENTS

D462,682	S	9/2002	Andres et al.	
6,501,462	B1	12/2002	Garner	
D471,551	S *	3/2003	Mah .....	D14/392
D481,730	S *	11/2003	Kang et al. ....	D14/385
D481,735	S	11/2003	Marucci et al.	
D485,271	S	1/2004	Kamegi	
D492,308	S	6/2004	Ozolins et al.	
D492,309	S	6/2004	Buhler	
6,803,865	B2	10/2004	DeLuga	
D500,318	S	12/2004	Buhler	
D509,505	S	9/2005	Brazil et al.	
D516,070	S	2/2006	Ozolins et al.	
D522,513	S	6/2006	Lo	
7,294,799	B2	11/2007	Meyer et al.	
D569,377	S *	5/2008	Lundgren et al. ....	D14/396
2005/0110745	A1	5/2005	Rutledge et al.	

OTHER PUBLICATIONS

Motorola MW-520 Monitor Keyboard Mount Police Computer; Internet Ebay auction (<http://hub.ebay.com/buy>); Item No. 120212889580; Item posted prior to Mar. 18, 2008; (3 pages).  
 Motorola Mobile Workstation 800 (MW 800) Series Specification Sheet; Copyright 2005; (4 pages).  
 Universal Computer Mounting Platforms; Havis-Shields Publication; [www.havis.com/havis\\_catalog/HS-CATALOG-F-8-06/Consoles/computer%20mount.pdf](http://www.havis.com/havis_catalog/HS-CATALOG-F-8-06/Consoles/computer%20mount.pdf); link appears to include date "HS-CATALOG-F-8-06"; (11 pages).

TG3 Electronics Custom Keyboards BLT Series Backlit Keyboards with Touchpad; Product Datasheet; <http://www.tg3electronics/support/documents/blt.pdf>; Copyright 2002; (2 pages).  
 "Toughbook PDRC"; Panasonic Data Sheet; accessed from [http://www.feeneywireless.com/products/computers/panasonic/panasonic\\_toughbook\\_pdrc.php](http://www.feeneywireless.com/products/computers/panasonic/panasonic_toughbook_pdrc.php); Dated Nov. 2005; (2 pages).  
*TG3 Electronics, Inc. vs. Ikey Industrial Peripherals and Stacoswitch*; Complaint; United States District Court Eastern District of Wisconsin; Case No. 08-C-0093; Filed Jan. 25, 2008; (11 pages).  
 Product Bulletin; Data Entry Product Series M779; accessed at [http://www.stacosystems.com/PDF/M779%20PB%2012\\_12\\_06.pdf](http://www.stacosystems.com/PDF/M779%20PB%2012_12_06.pdf); Date Info: "Product Bulletin 11/06M779"; HTML Source date info: "<meta name='CreationDate'content='D:20061212161439-08'00'>"; (2 pages).  
 Product Bulletin; Data Entry Product Series M779; accessed at <http://www.stacosystems.com/Library/keyboards.htm>; clicking on reference link labeled "Version: 1/22/07M779" provides Product Bulletin dated "Product Bulletin 05/07M779"; (2 pages).  
 Electrone 7540 Mini Keyboard; <http://www.electroneamericas.com/PDF/7540.pdf>, date unknown (accessed 2008); (1 page).  
 Motorola MW-520 In Car Mobile Computer; Internet Ebay auction (<http://hub.ebay.com/buy>); Item No. 150226774608; Item posted prior to Mar. 17, 2008; manufacture date of keyboard is unknown; (7 pages).  
 Electrone Mini Keyboards, <http://web.archive.org/web/20061105081004/www.electrone.com/mini2.htm>, web archive dated 2006, accessed on Apr. 18, 2008 (1 page).  
 "iKey Industrial Peripherals Catalog"; iKey; 2004; pp. 1-48.  
 "iKey Industrial Peripherals Catalog"; iKey; 2005; pp. 1-52.  
 "iKey Industrial Peripherals Catalog"; iKey; 2005; pp. 1-52.  
 \* cited by examiner



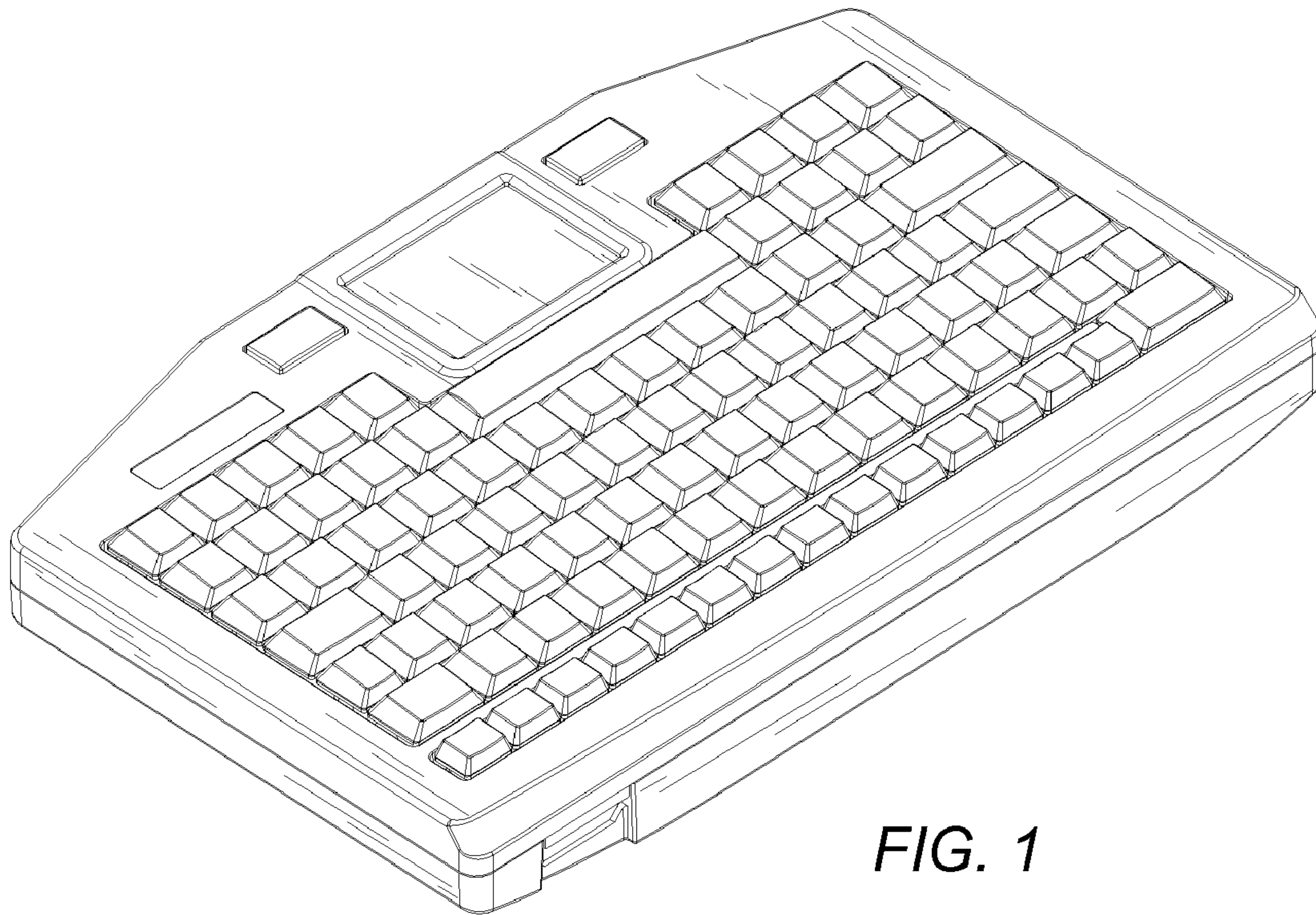


FIG. 1

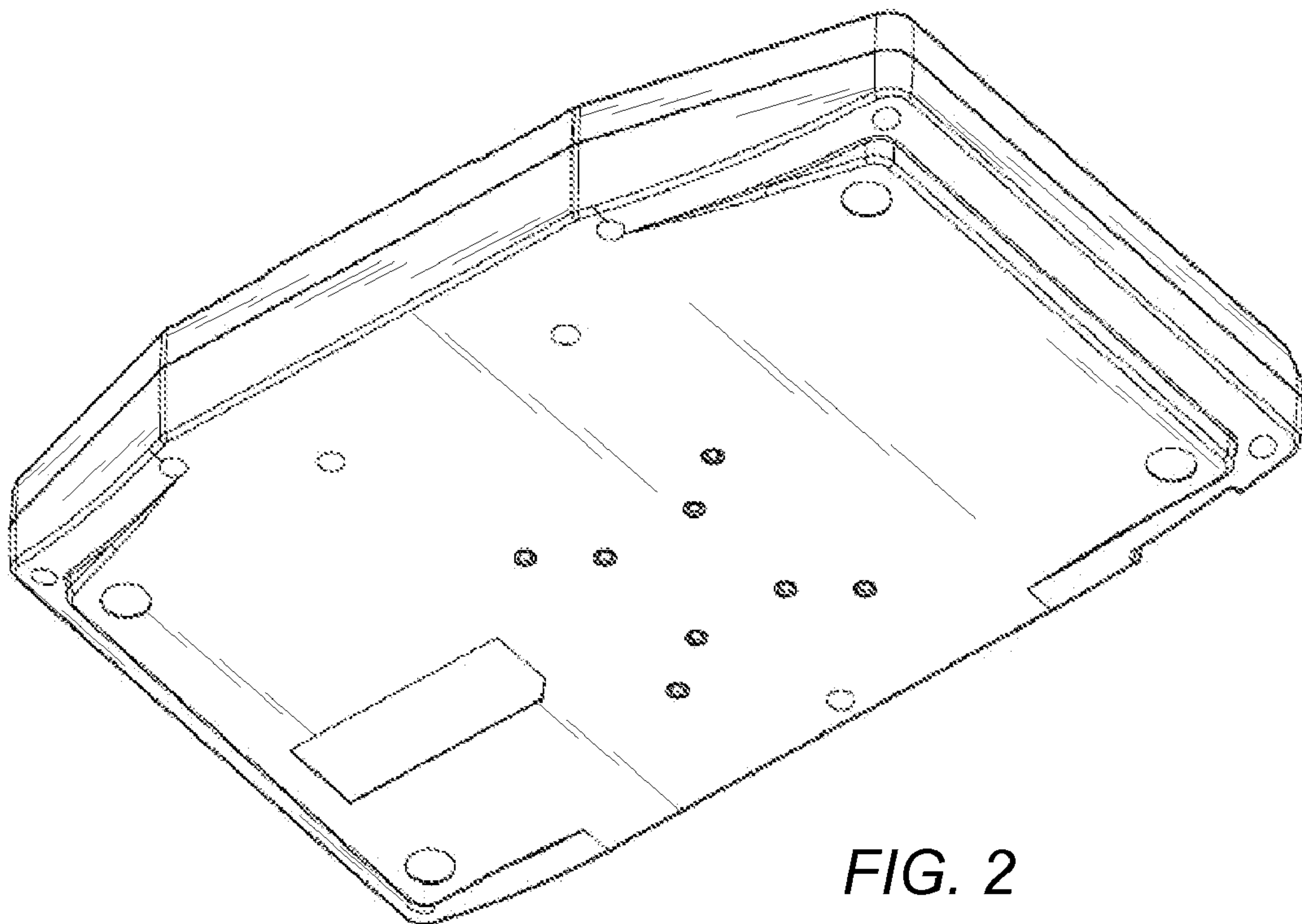


FIG. 2

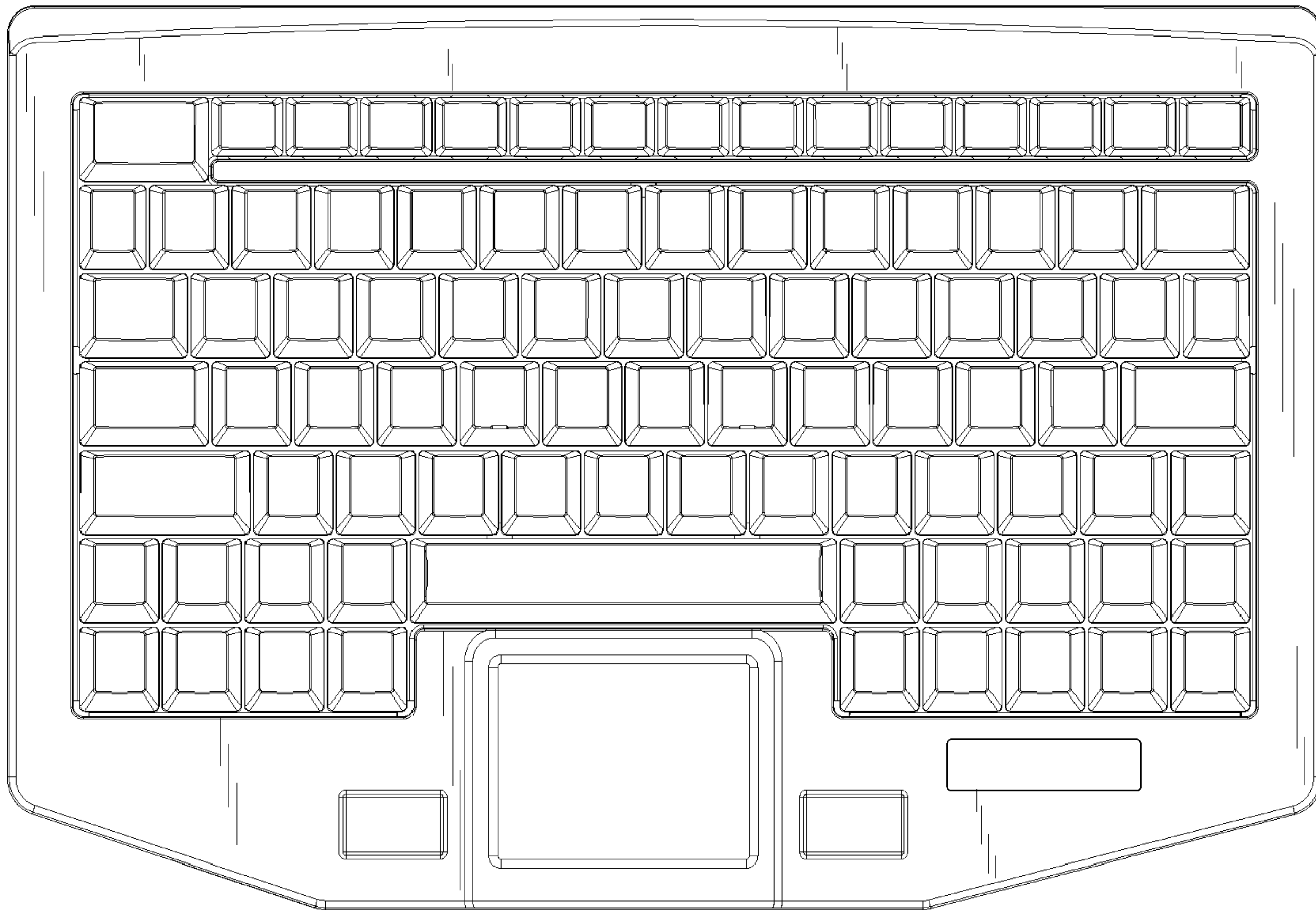


FIG. 3

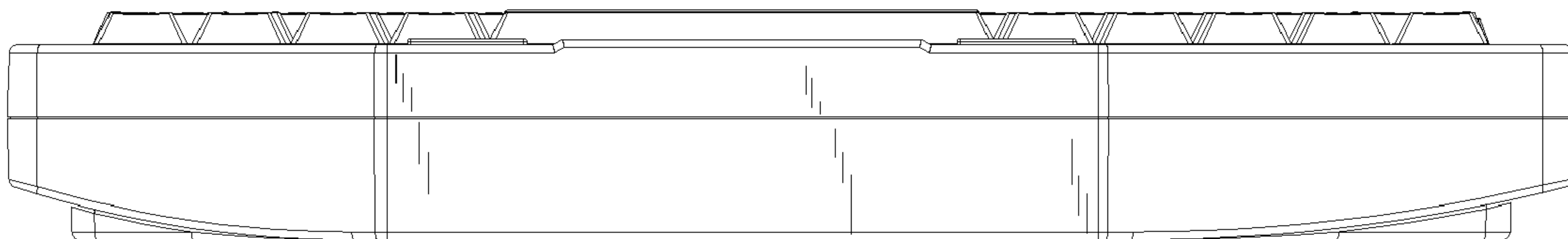


FIG. 4

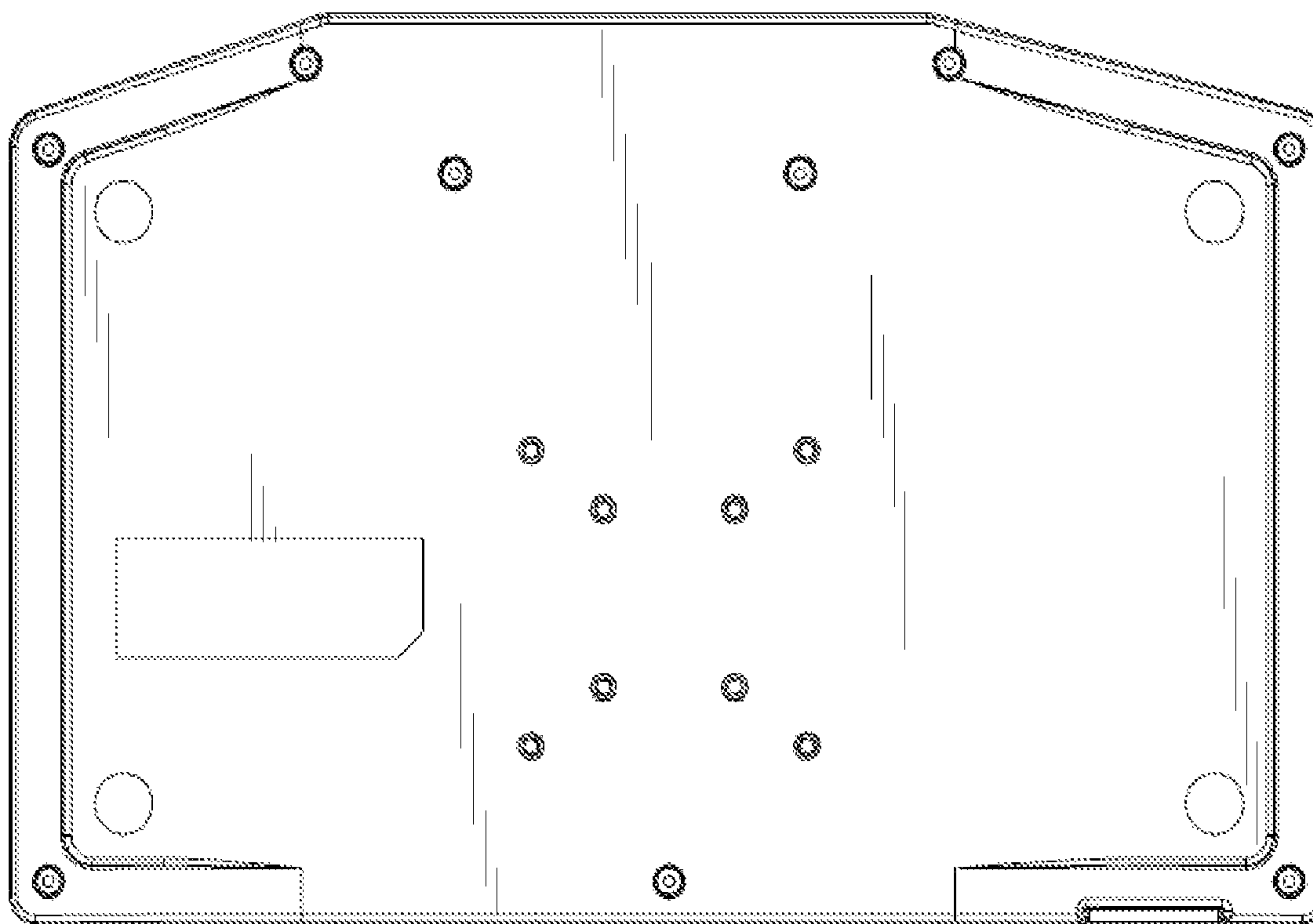


FIG. 5

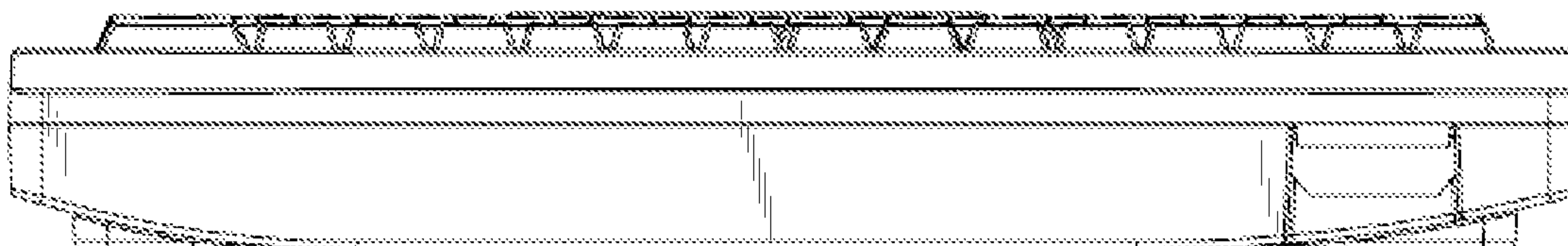
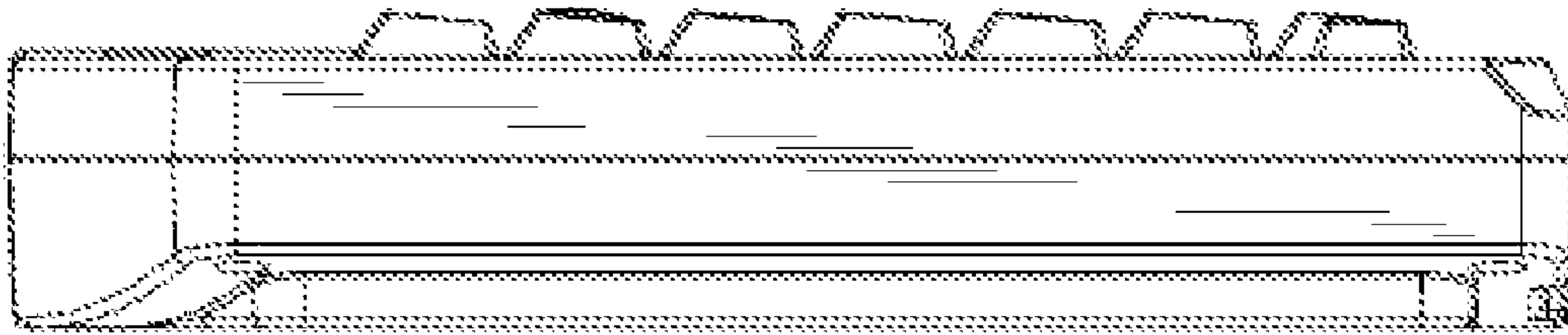
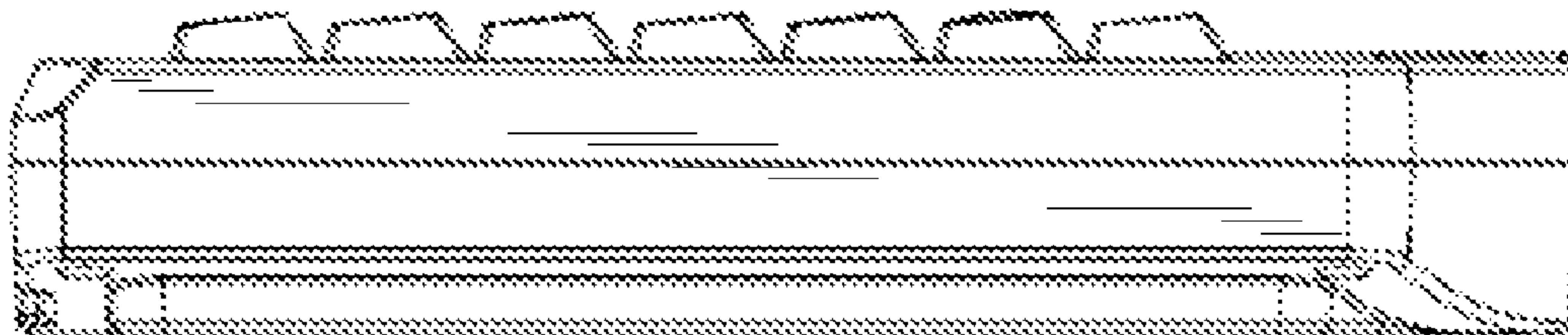


FIG. 6



*FIG. 7*



*FIG. 8*