



US00D580934S

(12) **United States Design Patent**
Hasegawa et al.

(10) **Patent No.:** **US D580,934 S**

(45) **Date of Patent:** **** Nov. 18, 2008**

(54) **COMPUTER DISPLAY**

(75) Inventors: **Kenichi Hasegawa**, Tokyo (JP);
Yoshihiro Takechi, Tokyo (JP); **Satoshi**
Kurihara, Tokyo (JP)

(73) Assignee: **NEC Display Solutions, Ltd.**, Tokyo
(JP)

(**) Term: **14 Years**

(21) Appl. No.: **29/280,034**

(22) Filed: **May 15, 2007**

(30) **Foreign Application Priority Data**

Nov. 15, 2006 (JP) 2006-031373

(51) **LOC (8) Cl.** **14-02**

(52) **U.S. Cl.** **D14/371**

(58) **Field of Classification Search** D14/371,
D14/374-376, 126-129; 345/1.1, 104, 156,
345/157, 168, 173; 348/180, 184, 325, 739;
341/12; 349/1, 2, 11, 62; 361/680-686;
700/94

See application file for complete search history.

(56) **References Cited**

U.S. PATENT DOCUMENTS

D424,068 S * 5/2000 Takemasa D14/374

D467,232 S * 12/2002 Bong et al. D14/126
D497,362 S * 10/2004 Wang et al. D14/371
D529,490 S * 10/2006 Jackson, Jr. D14/341
2002/0188363 A1* 12/2002 Ashy 700/94
2005/0052837 A1* 3/2005 Kota et al. 361/683
2005/0243505 A1* 11/2005 Jackson, Jr. 361/683

* cited by examiner

Primary Examiner—Freda S Nunn

(74) *Attorney, Agent, or Firm*—Wood, Herron & Evans, LLP

(57) **CLAIM**

The ornamental design for a computer display, as shown and described.

DESCRIPTION

FIG. 1 is a perspective view of a computer display.

FIG. 2 is a front elevation view thereof.

FIG. 3 is a rear elevation view thereof.

FIG. 4 is a top plan view thereof.

FIG. 5 is a bottom plan view thereof.

FIG. 6 is a left side elevation view thereof; and,

FIG. 7 is a right side elevation view thereof.

1 Claim, 7 Drawing Sheets

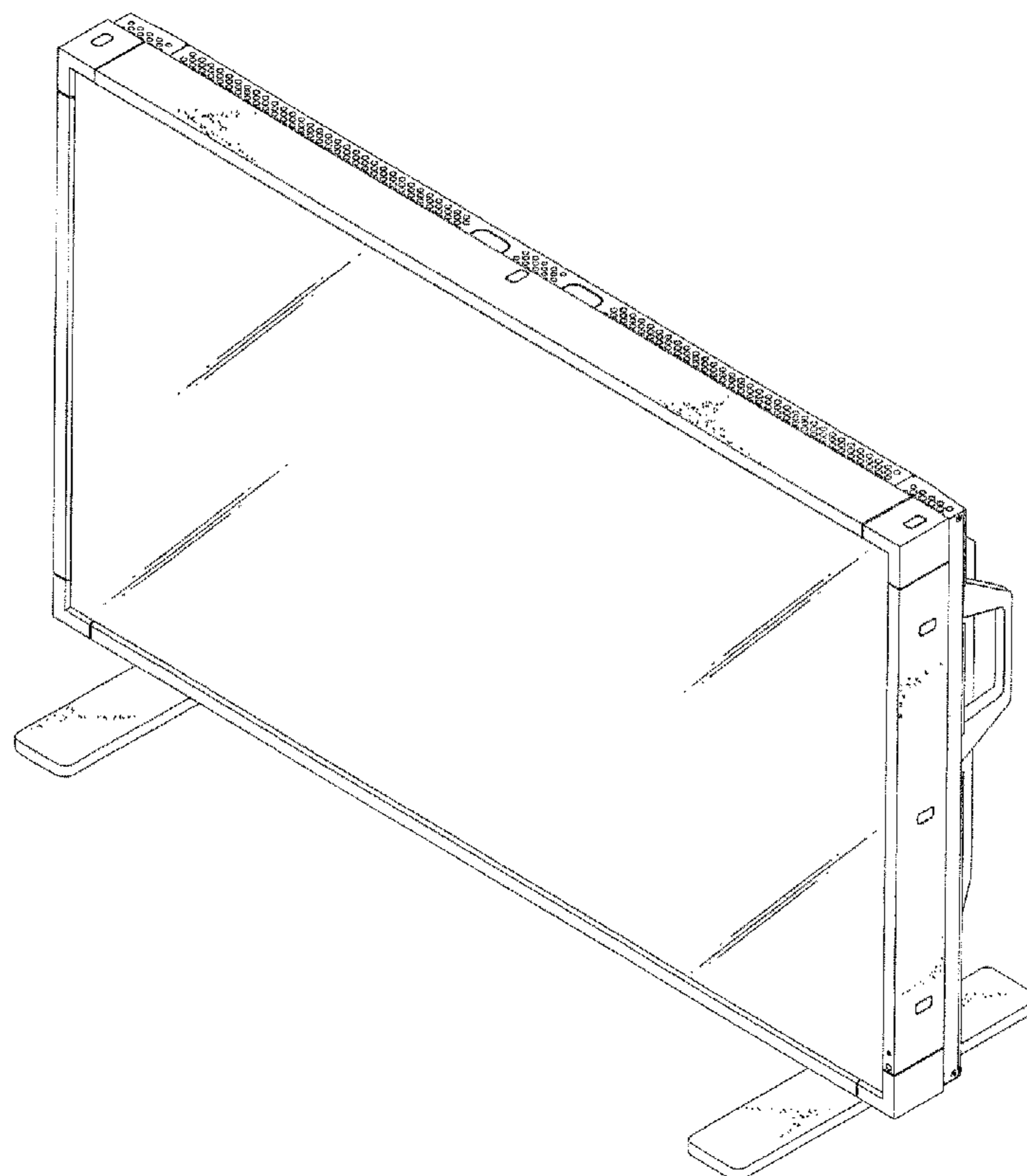


FIG. 1

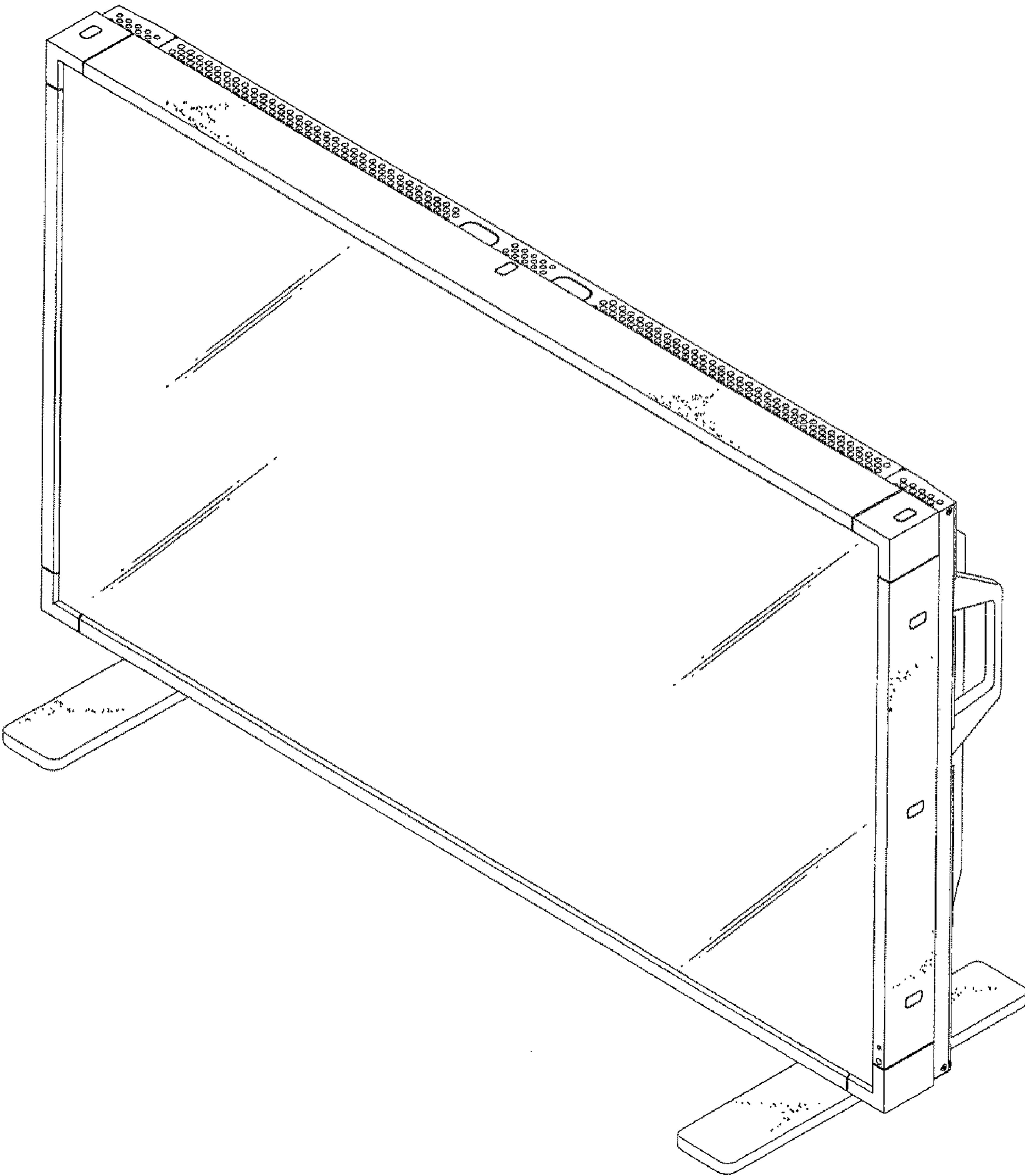


FIG. 2

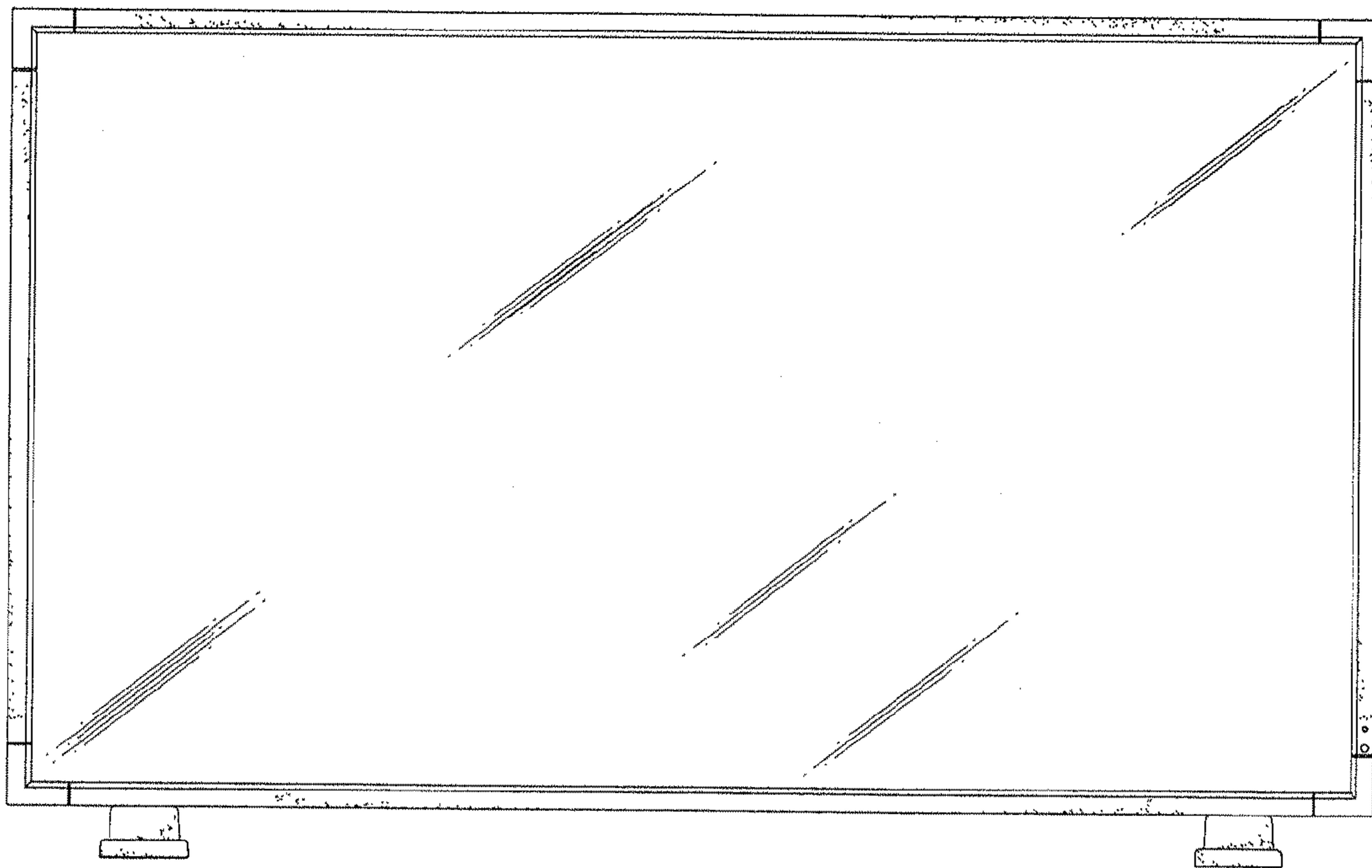


FIG. 3

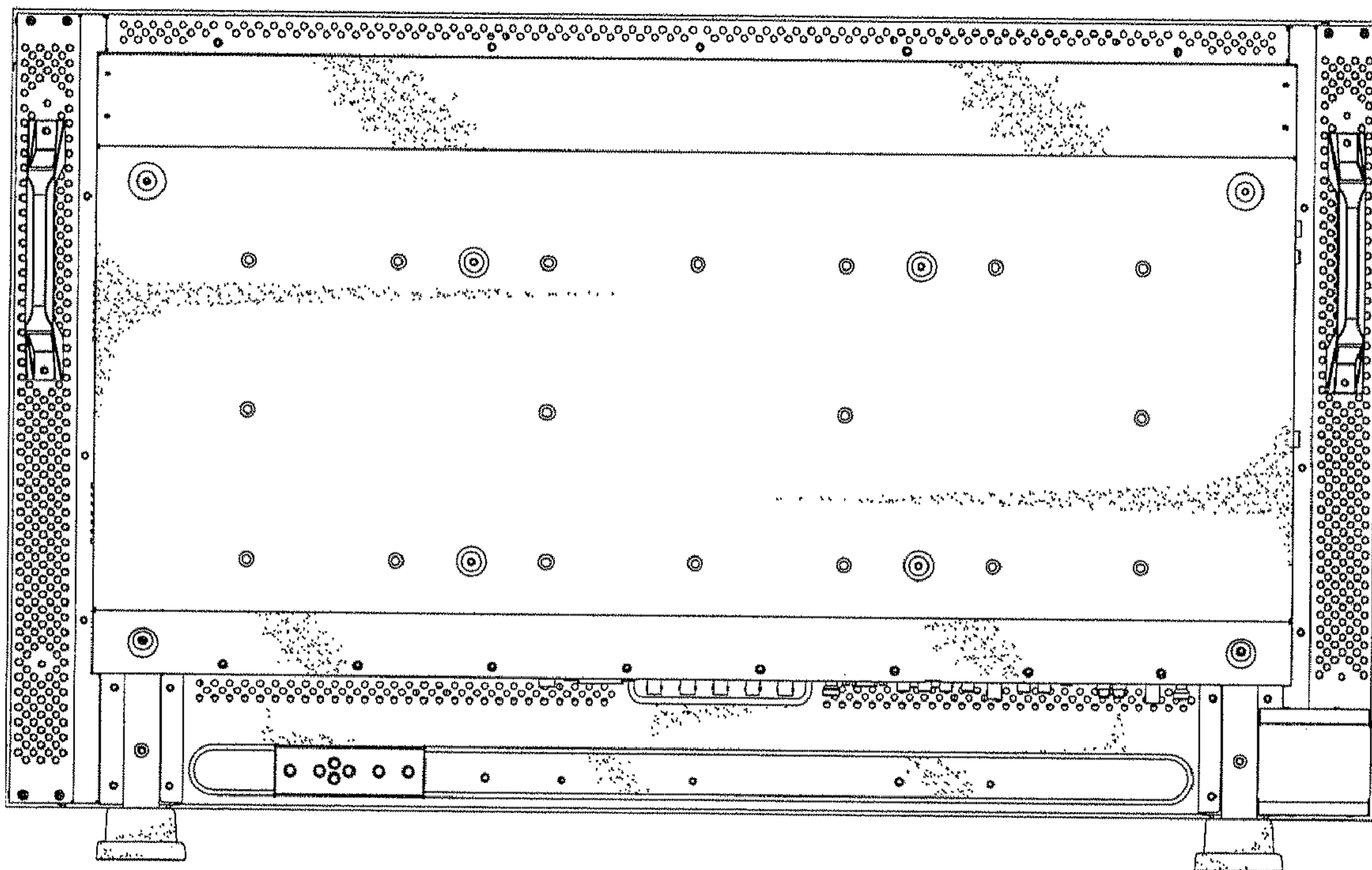


FIG. 4

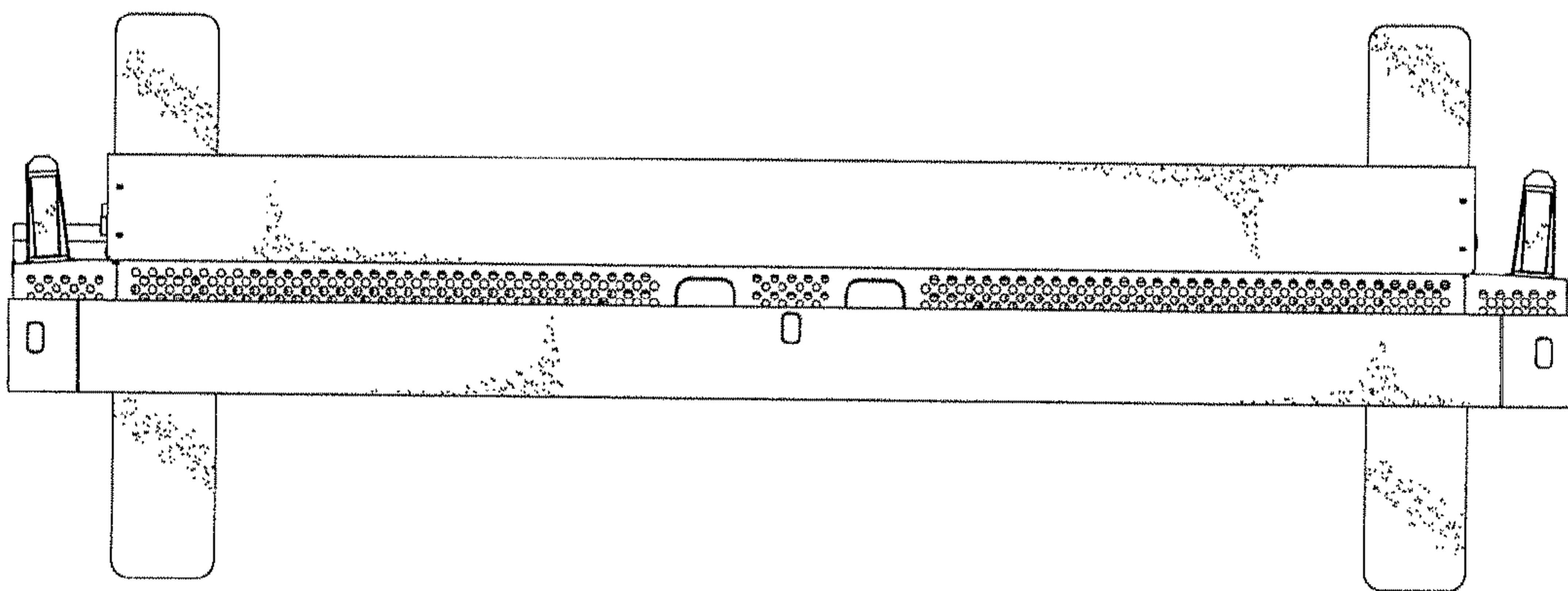


FIG. 5

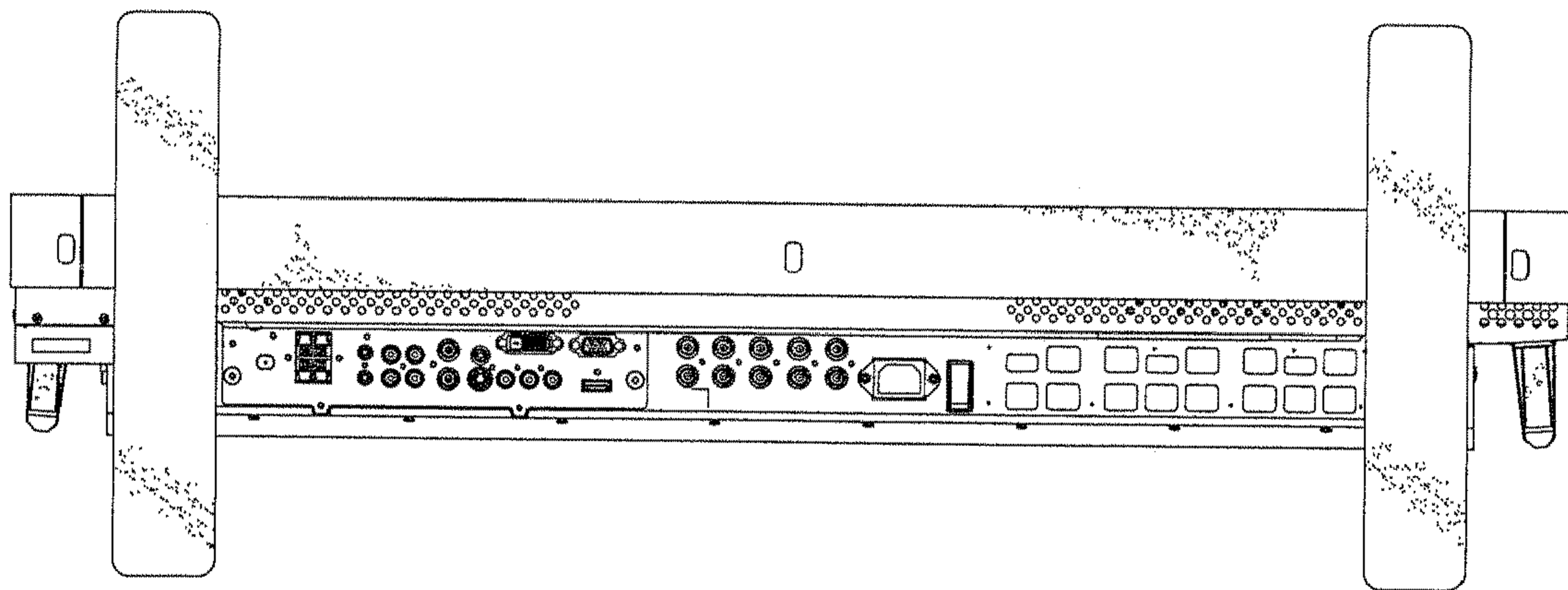


FIG. 6

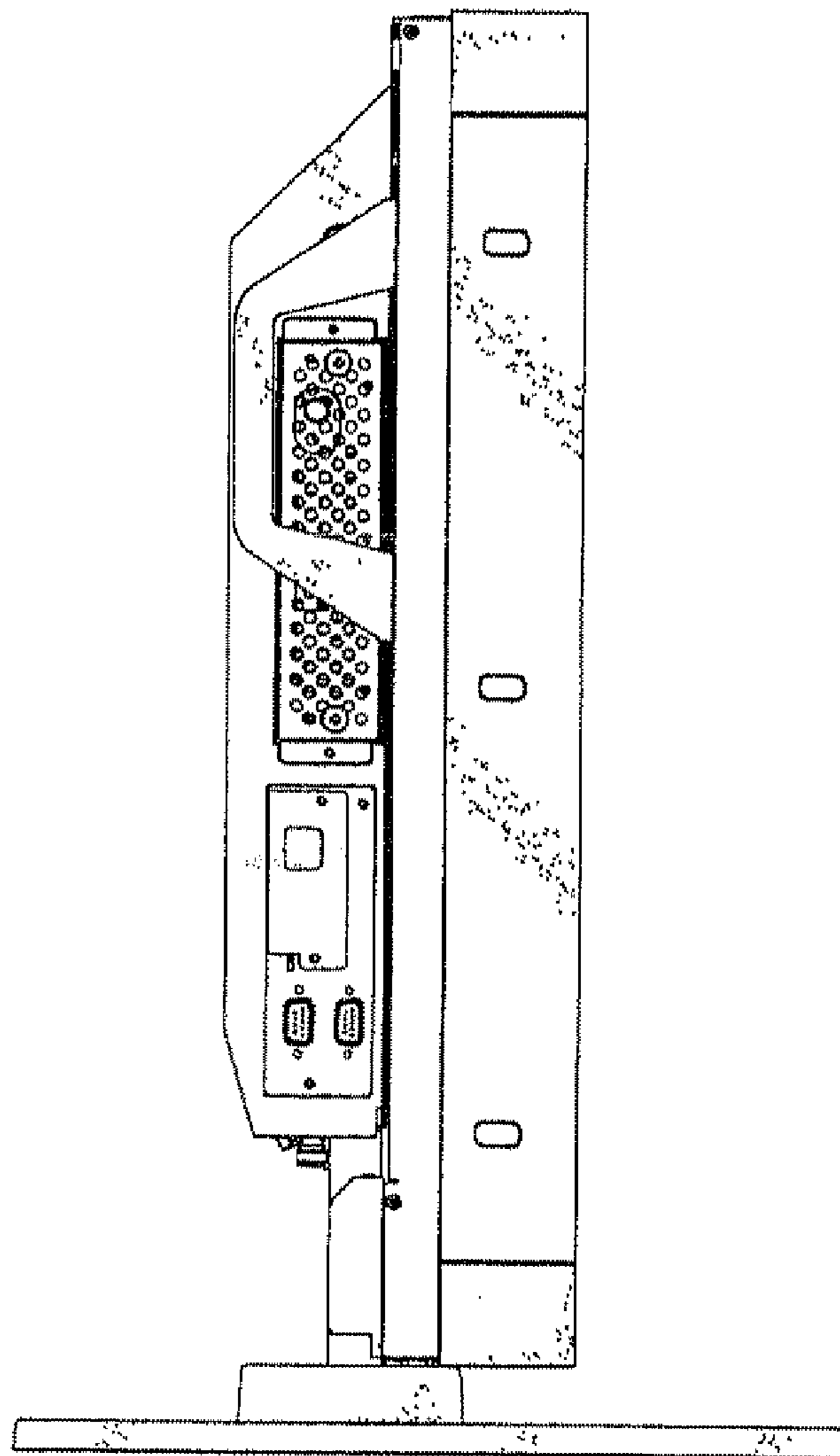


FIG. 7

