

US00D580932S

(12) **United States Design Patent**
Tzou et al.

(10) **Patent No.:** **US D580,932 S**

(45) **Date of Patent:** **** Nov. 18, 2008**

(54) **PRINT SERVER**

(75) Inventors: **Jyh-Chyang Tzou**, Taipei (TW);
Chi-Zen Peng, Taipei (TW)

(73) Assignee: **Inventec Corporation**, Taipei (TW)

(**) Term: **14 Years**

(21) Appl. No.: **29/271,195**

(22) Filed: **Jan. 12, 2007**

(51) **LOC (8) Cl.** **14-02**

(52) **U.S. Cl.** **D14/356**

(58) **Field of Classification Search** D14/301,
D14/313, 348-349, 351-370, 432, 435-436,
D14/496, 137, 155, 167-168, 240, 242, 299;
D18/56; D13/149, 184; D3/201, 273
See application file for complete search history.

(56) **References Cited**

U.S. PATENT DOCUMENTS

D272,342 S *	1/1984	Cheng	D14/435
D299,651 S *	1/1989	Preussner	D14/354
D304,309 S *	10/1989	Vories	D10/106
D330,370 S *	10/1992	Tseng	D14/435
D349,701 S *	8/1994	Beutler et al.	D14/149
D366,878 S *	2/1996	Wakabayashi et al.	D14/242
D422,962 S *	4/2000	Shevlin et al.	D13/103

D426,221 S *	6/2000	Shindo	D14/156
D459,339 S *	6/2002	Tong	D14/197
D472,555 S *	4/2003	Tomino	D14/433
6,615,435 B2 *	9/2003	Randall	15/104.2
D491,563 S *	6/2004	Sato et al.	D14/433
D509,214 S *	9/2005	Chung	D14/240

* cited by examiner

Primary Examiner—Robin V. Webster

Assistant Examiner—Karen E Kearney

(74) *Attorney, Agent, or Firm*—Birch, Stewart, Kolasch & Birch, LLP

(57) **CLAIM**

The ornamental design for a print server, as shown and described.

DESCRIPTION

FIG. 1 is a perspective view of a print server showing our new design;

FIG. 2 is a front elevational view thereof;

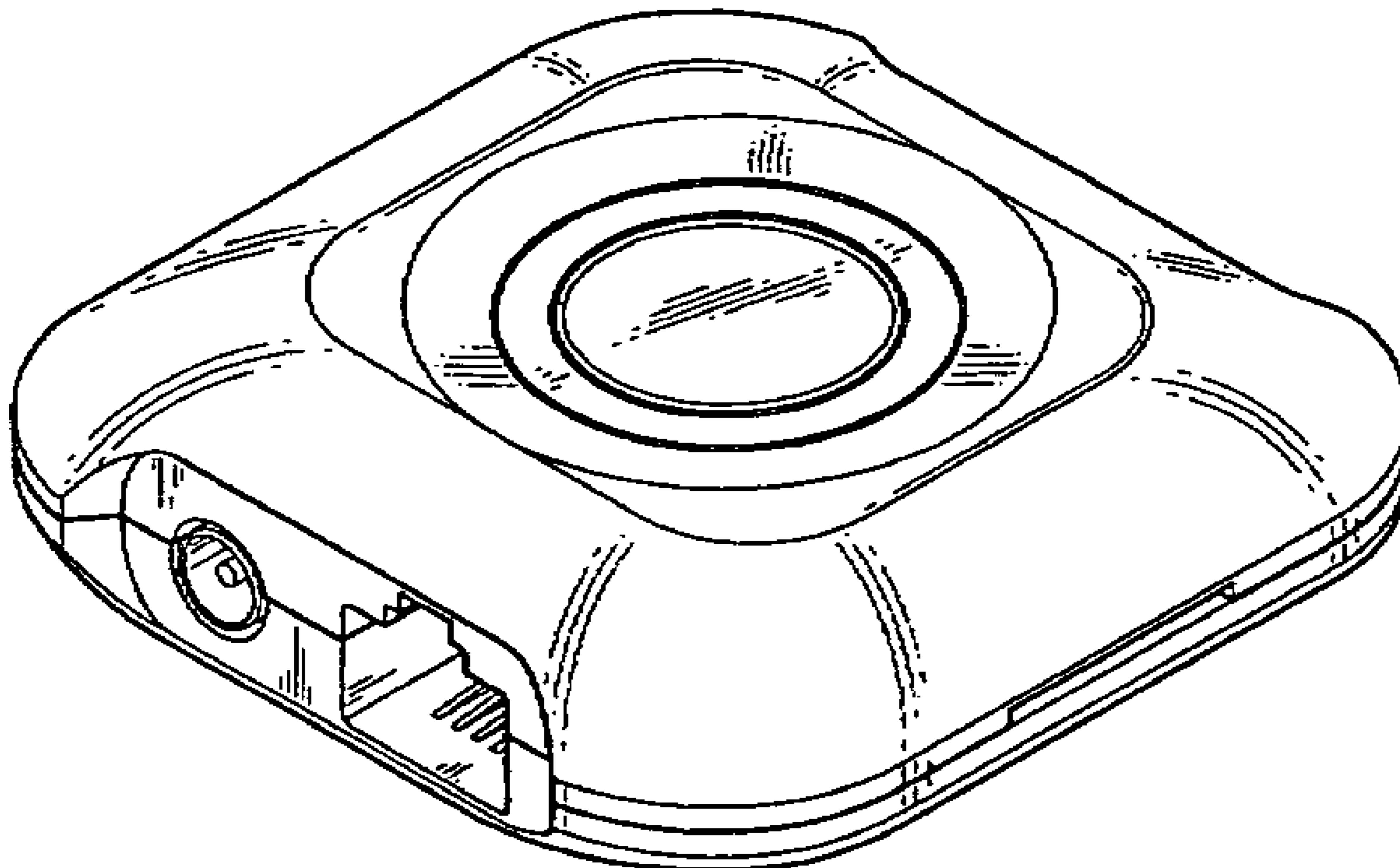
FIG. 3 is a rear elevational view thereof;

FIG. 4 is a right side elevational view thereof, the left side being a mirror image;

FIG. 5 is a top plan view thereof; and,

FIG. 6 is a bottom plan view thereof.

1 Claim, 4 Drawing Sheets



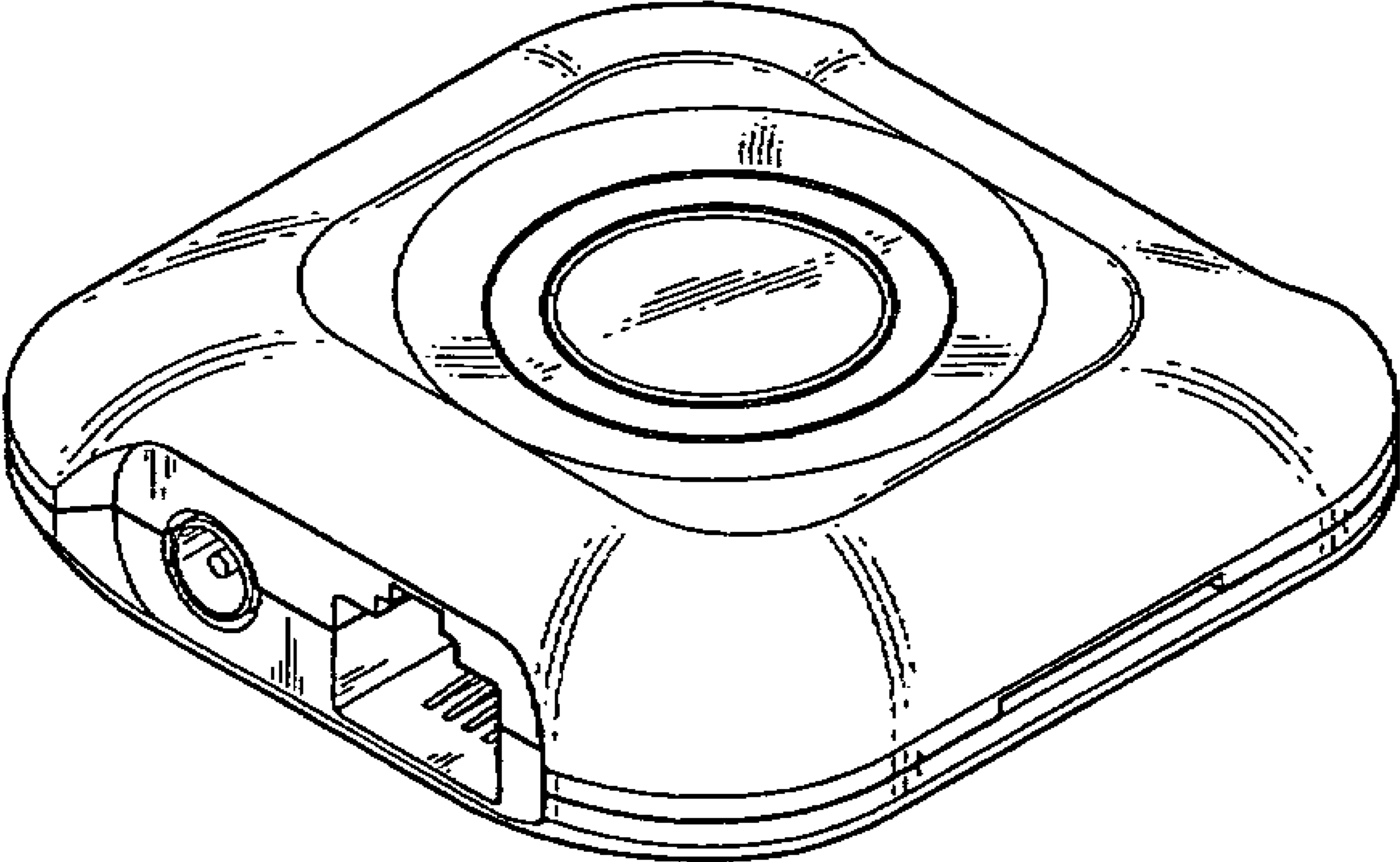


Fig. 1

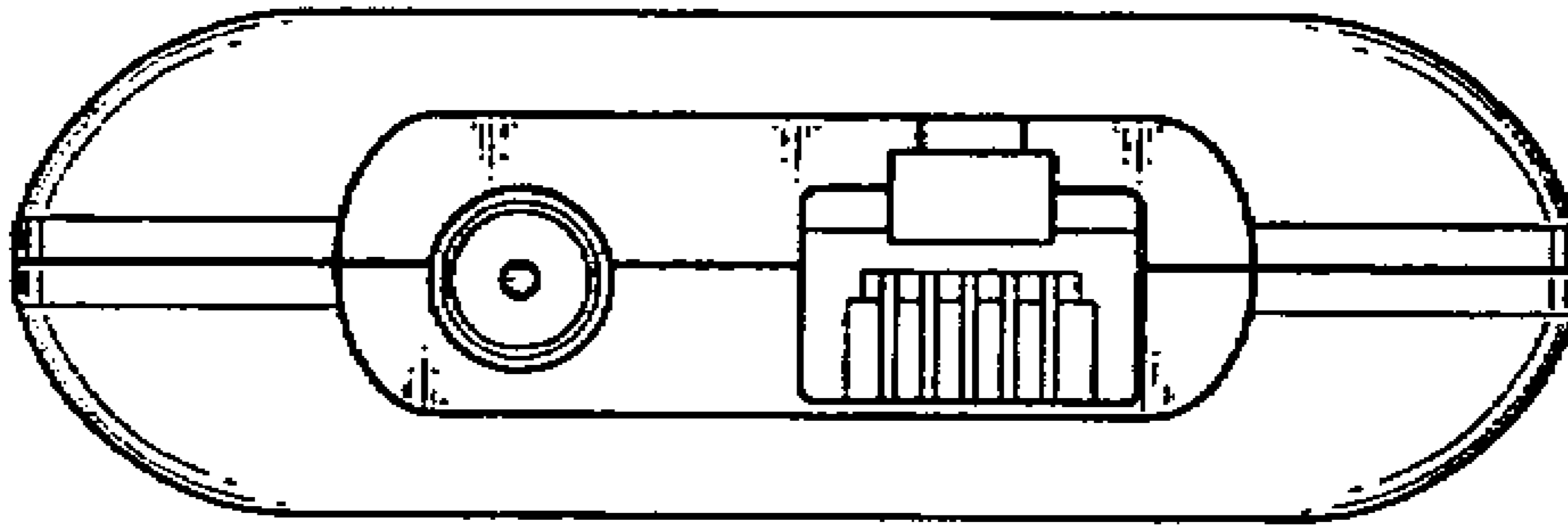


Fig. 2

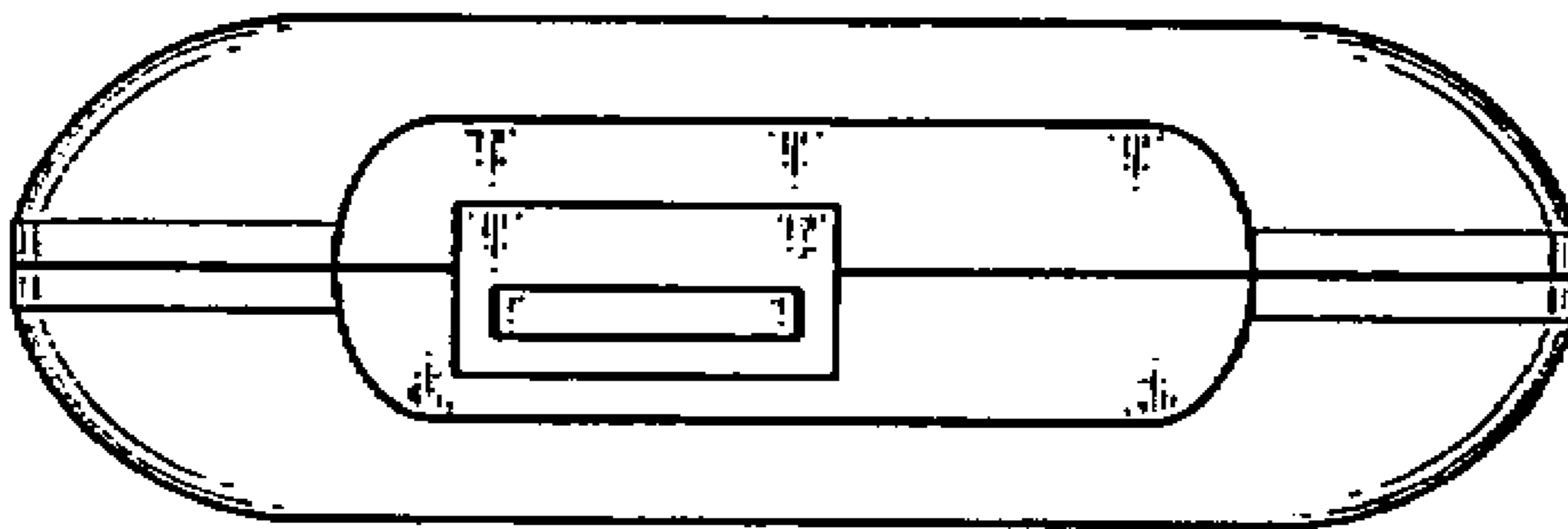


Fig. 3

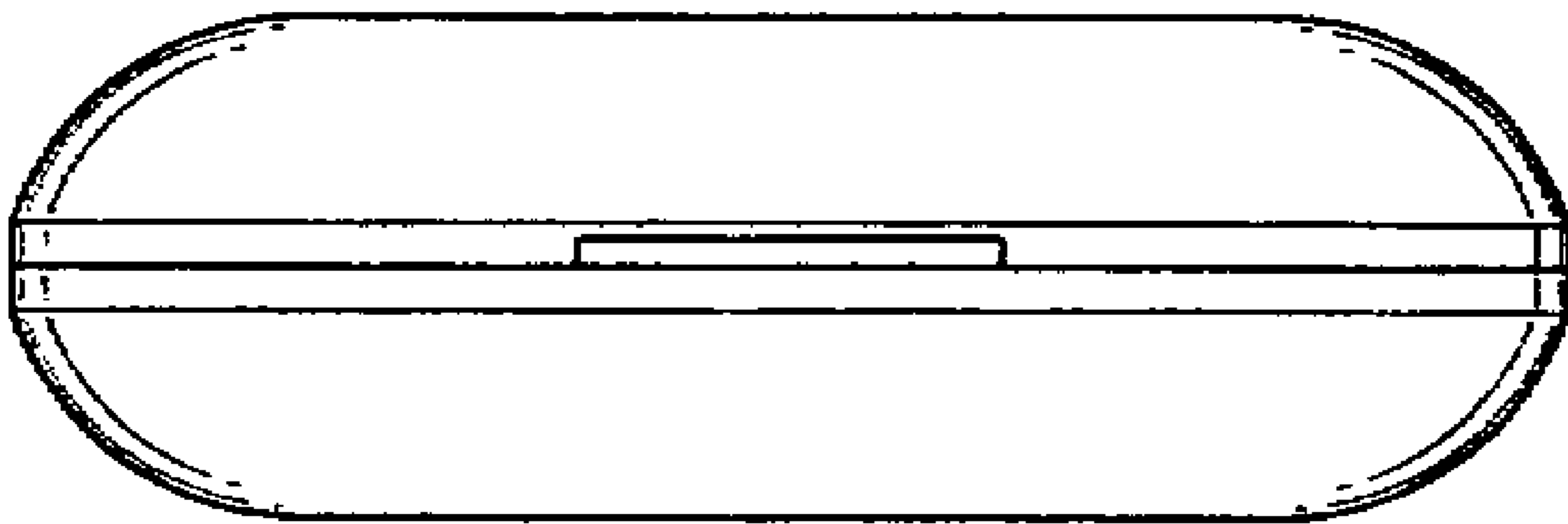


Fig. 4

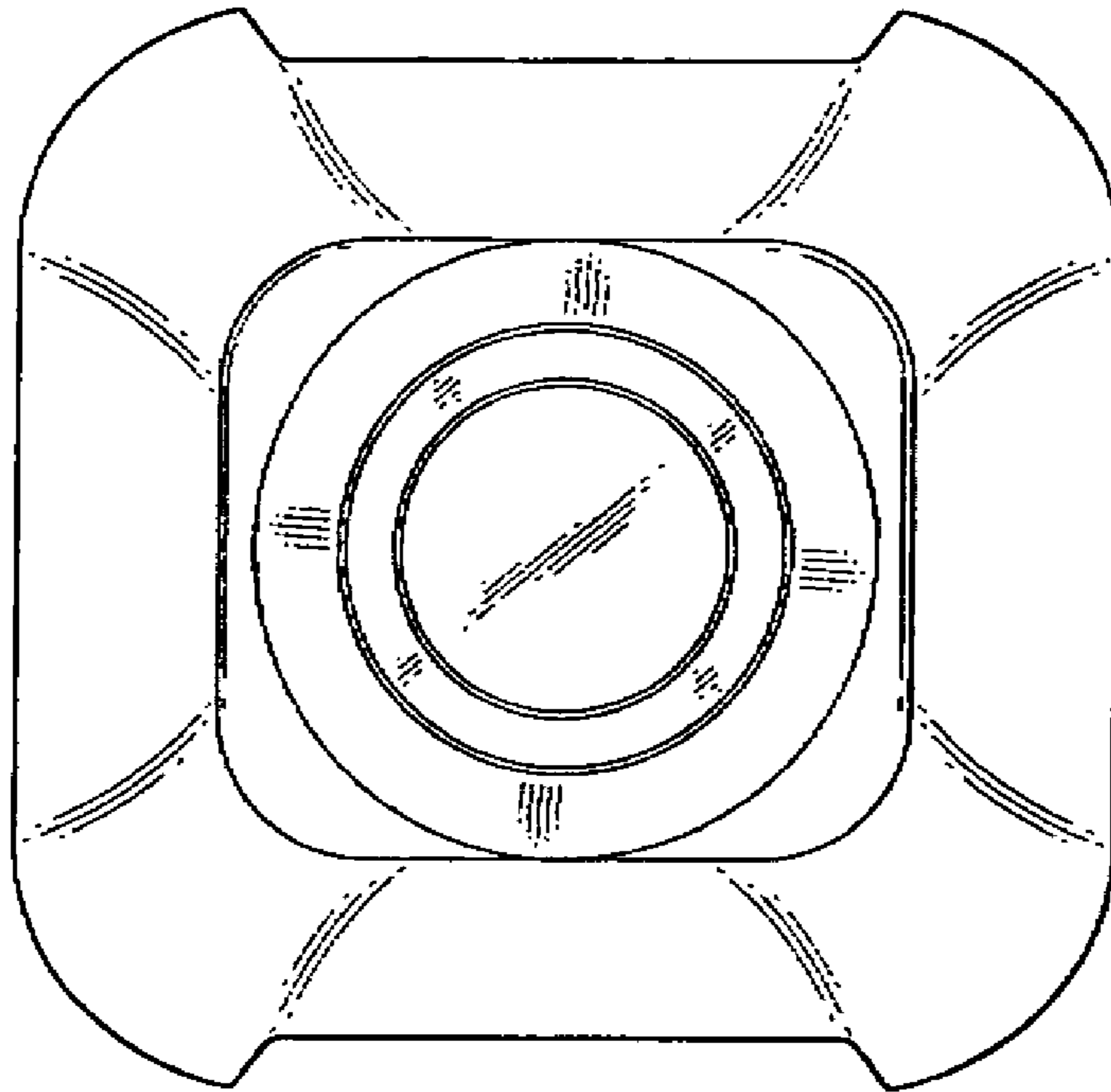


Fig. 5

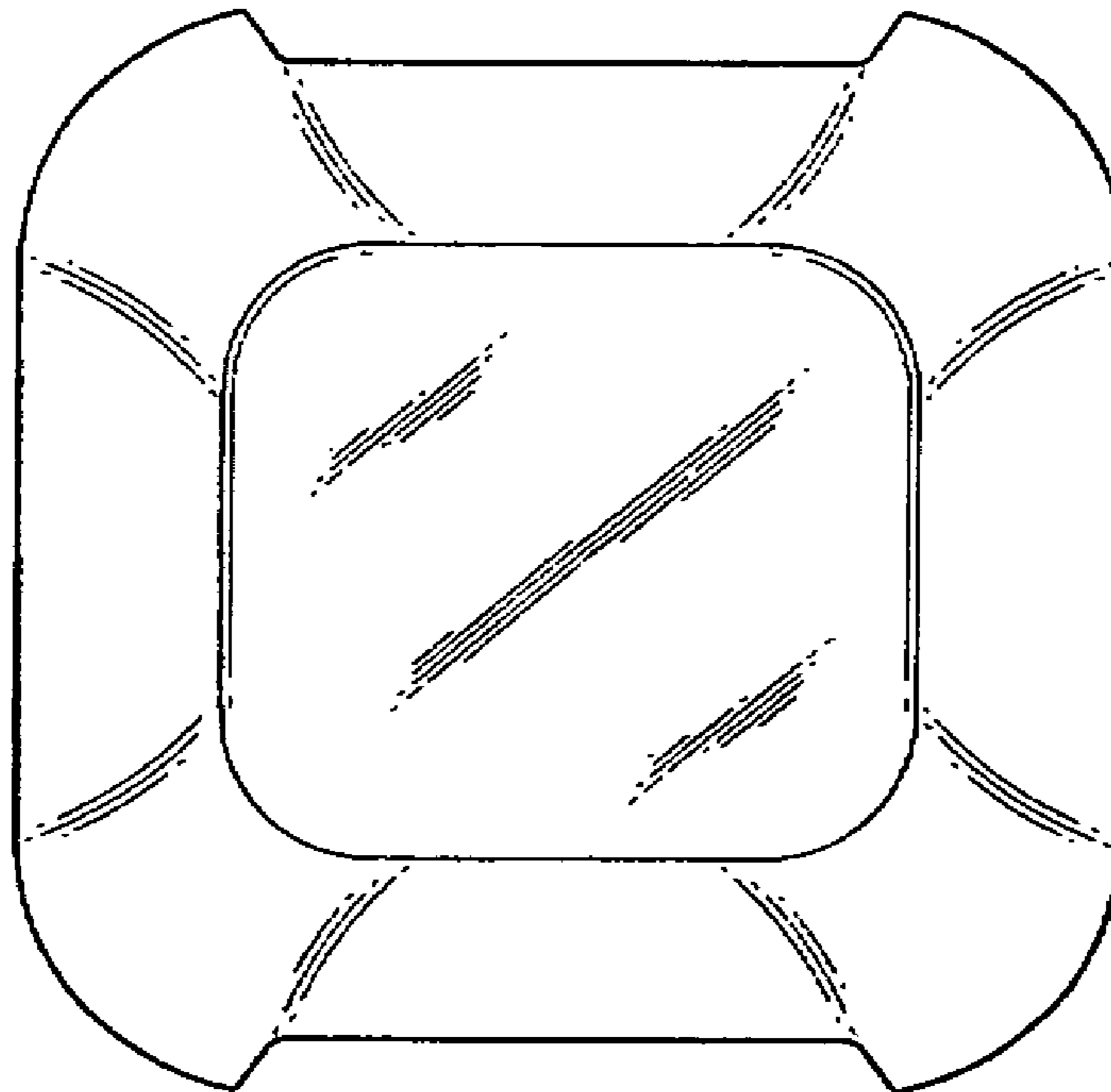


Fig. 6