



US00D580930S

(12) **United States Design Patent**
Chien et al.

(10) **Patent No.:** **US D580,930 S**
(45) **Date of Patent:** **** Nov. 18, 2008**

(54) **ELECTRONIC DEVICE**

(75) Inventors: **Chih-Ling Chien**, Taoyuan (TW);
Yi-Bin Ho, Taoyuan (TW); **Pal-Lin Ho**,
Taoyuan (TW)

(73) Assignee: **High Tech Computer Corp.**, Taoyuan
(TW)

(**) Term: **14 Years**

(21) Appl. No.: **29/287,504**

(22) Filed: **Aug. 15, 2007**

(30) **Foreign Application Priority Data**

Mar. 26, 2007 (TW) 96301693

(51) **LOC (8) Cl.** **14-02**

(52) **U.S. Cl.** **D14/346**

(58) **Field of Classification Search** D14/341-347,
D14/138, 454-456, 391, 218, 327, 338, 387,
D14/390, 399, 426, 429, 432, 439, 137, 247,
D14/496, 125, 126, 129, 318, 326, 248; D18/7;
D13/168; 361/680; D21/517, 329, 330,
D21/331; D10/65, 104; 345/169; 379/433.04,
379/433.06, 433.07, 433.11, 433.12, 433.13;
348/14.02; 455/556.1, 556.2, 566, 575.1,
455/575.3, 575.4, 90.3; 341/22

See application file for complete search history.

(56) **References Cited**

U.S. PATENT DOCUMENTS

D506,753 S * 6/2005 Duarte et al. D14/346
D519,116 S * 4/2006 Tanaka et al. D14/341
D524,308 S * 7/2006 Lai D14/346
D524,809 S * 7/2006 Alcouloumre et al. D14/341
D529,045 S * 9/2006 Shin D14/496
D533,214 S * 12/2006 Oas D18/7
7,298,610 B2 * 11/2007 Kim et al. 361/683
D565,597 S * 4/2008 Kim D14/496
2002/0039074 A1 * 4/2002 England 341/22

2002/0077161 A1 * 6/2002 Eromaki 455/575
2007/0254730 A1 * 11/2007 Kim et al. 455/575.4
2007/0259702 A1 * 11/2007 Kemppinen 455/575.4
2008/0009330 A1 * 1/2008 Jung et al. 455/575.3

OTHER PUBLICATIONS

HTC Shift, Mar. 2007, http://www.gsmarena.com/htc_shift-1934.php.
HTC Advantage, Feb. 2008, http://www.gsmarena.com/htc_advantage_x7510-2267.php.

* cited by examiner

Primary Examiner—Jennifer Rivard

Assistant Examiner—Angela J Lee

(74) *Attorney, Agent, or Firm*—Birch, Stewart, Kolasch &
Birch, LLP

(57) **CLAIM**

The ornamental design for electronic device, as shown and described.

DESCRIPTION

FIG. 1 is a perspective view of an electronic device showing our new design;

FIG. 2 is a front side view thereof;

FIG. 3 is a rear side view thereof;

FIG. 4 is a left side view thereof;

FIG. 5 is a right side view thereof;

FIG. 6 is a top plan view thereof;

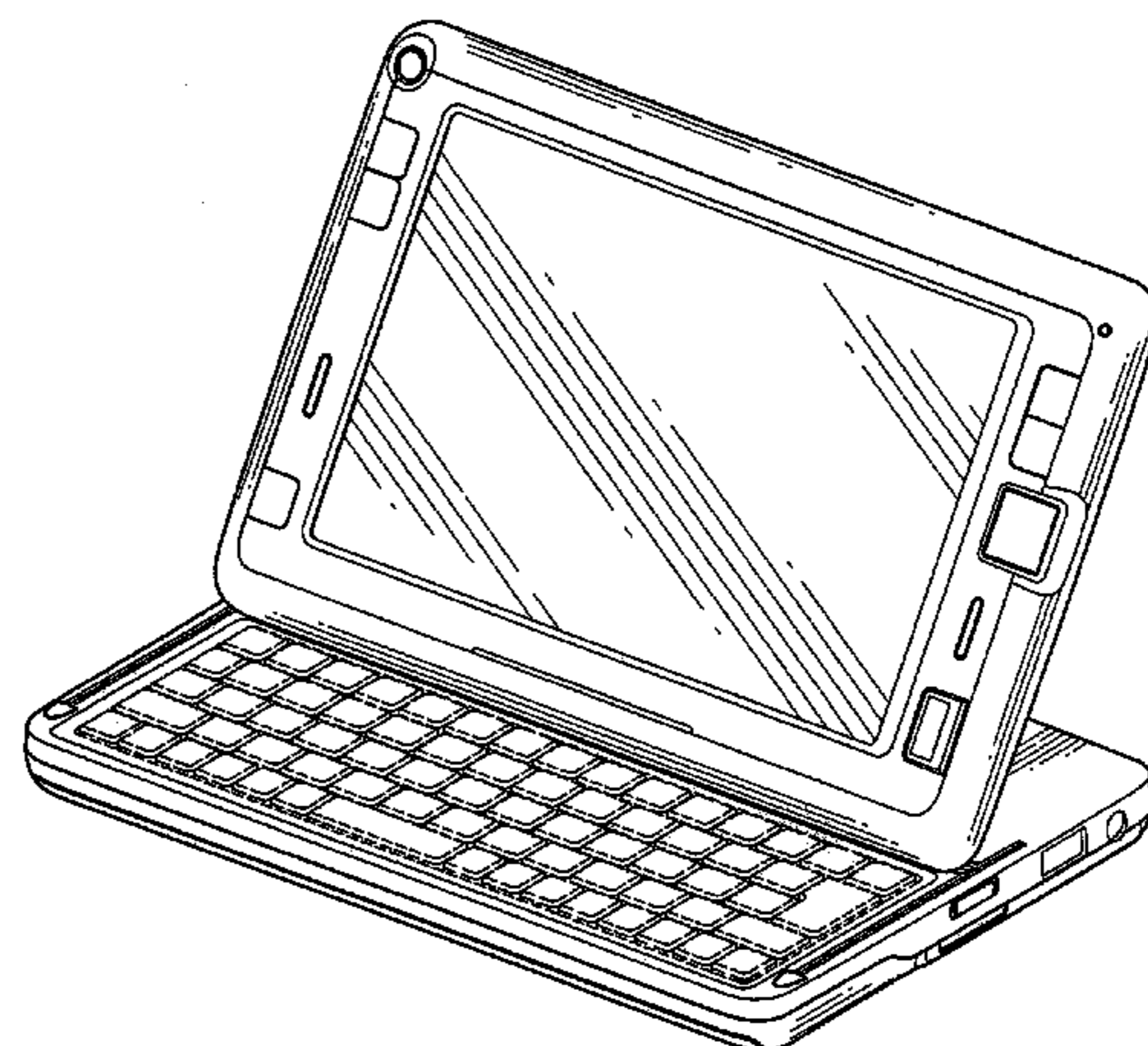
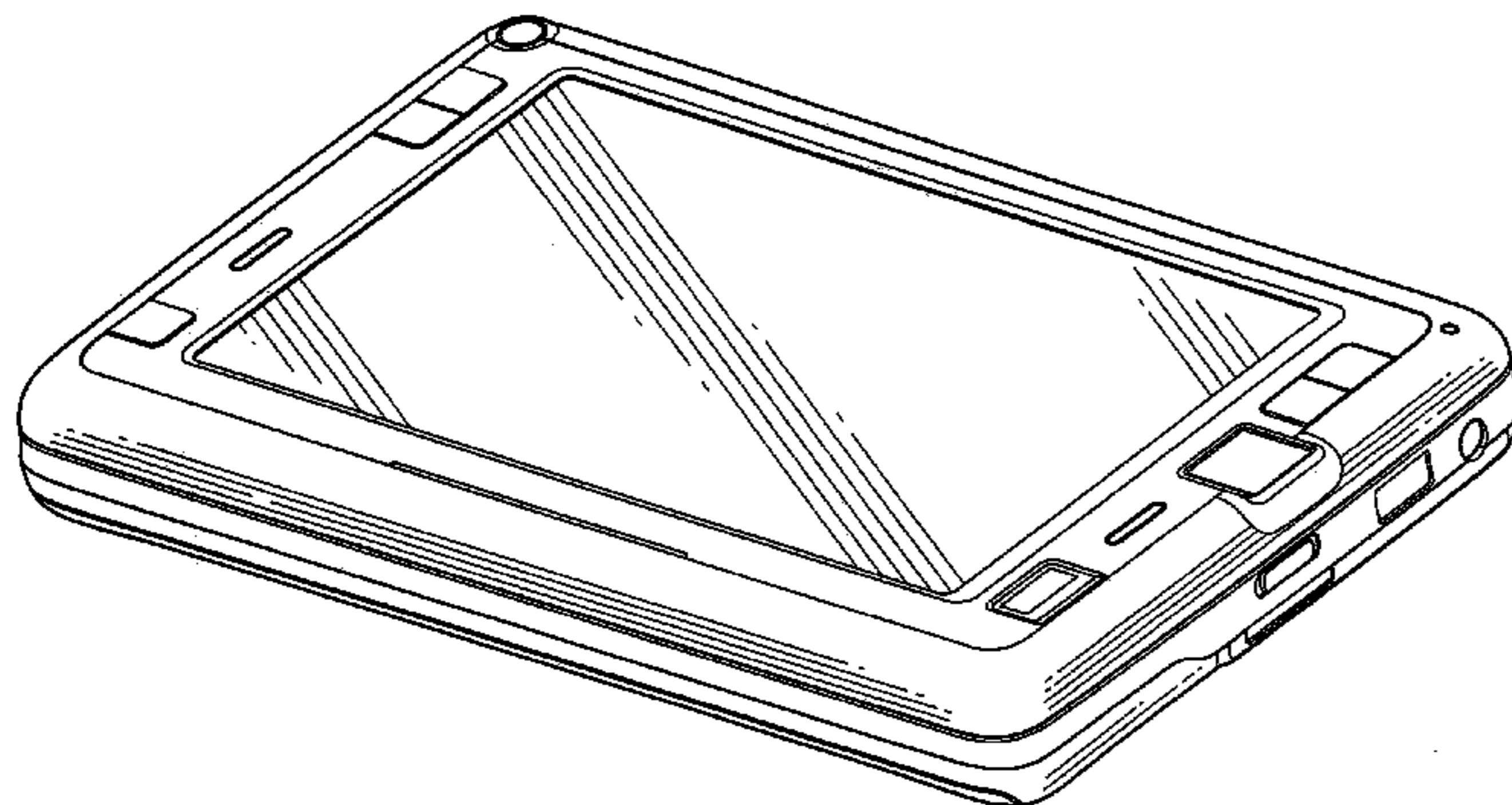
FIG. 7 is a bottom plan view thereof;

FIG. 8 is another perspective view thereof, showing the design in a slide-out position; and,

FIG. 9 is still another perspective view thereof, showing the design in a tilt position.

The broken line showing of a keypad in FIGS. 8 and 9 is included for the purpose of illustrating portions of the article and forms no part of the claimed design.

1 Claim, 9 Drawing Sheets



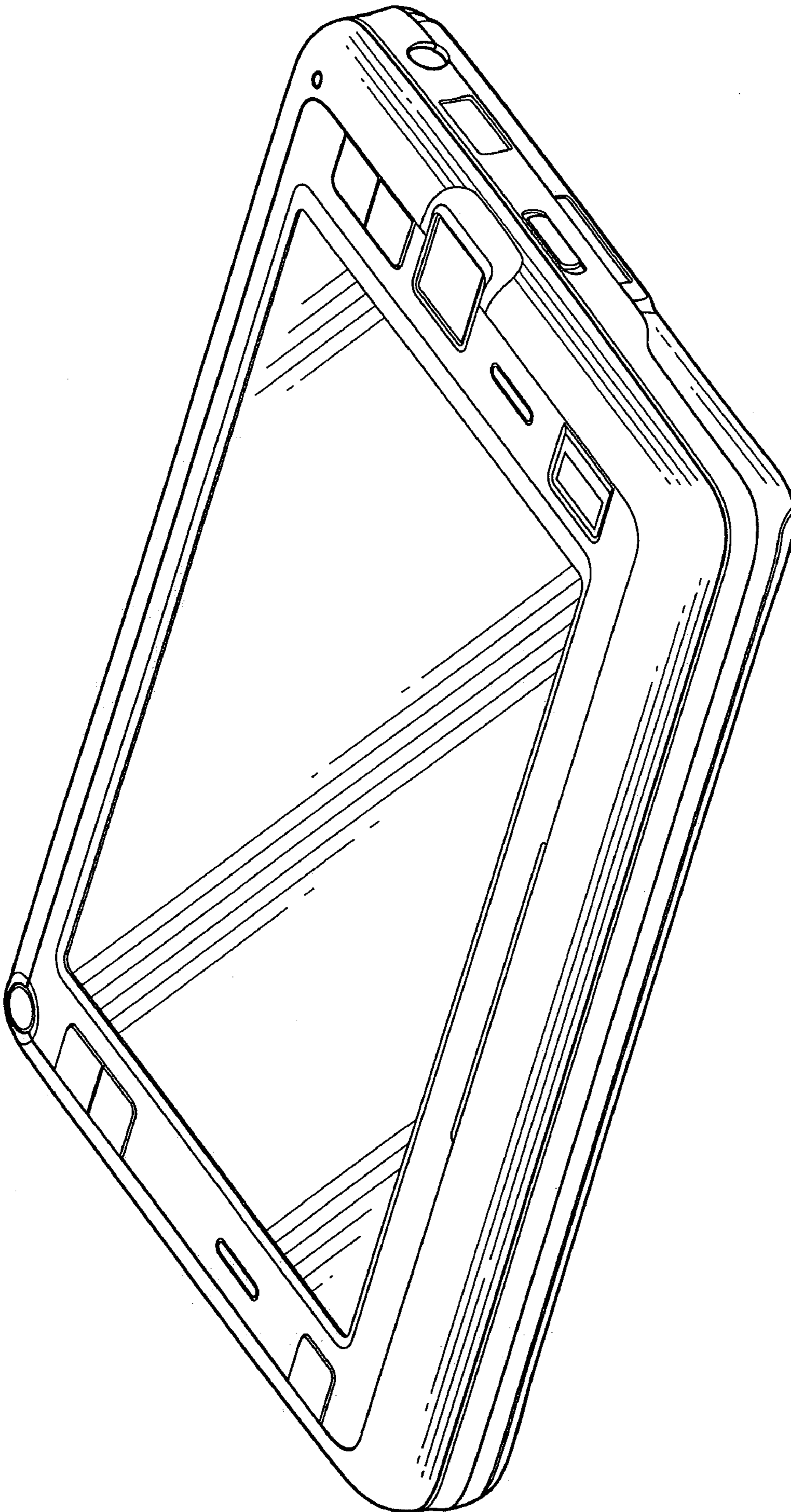


FIG. 1

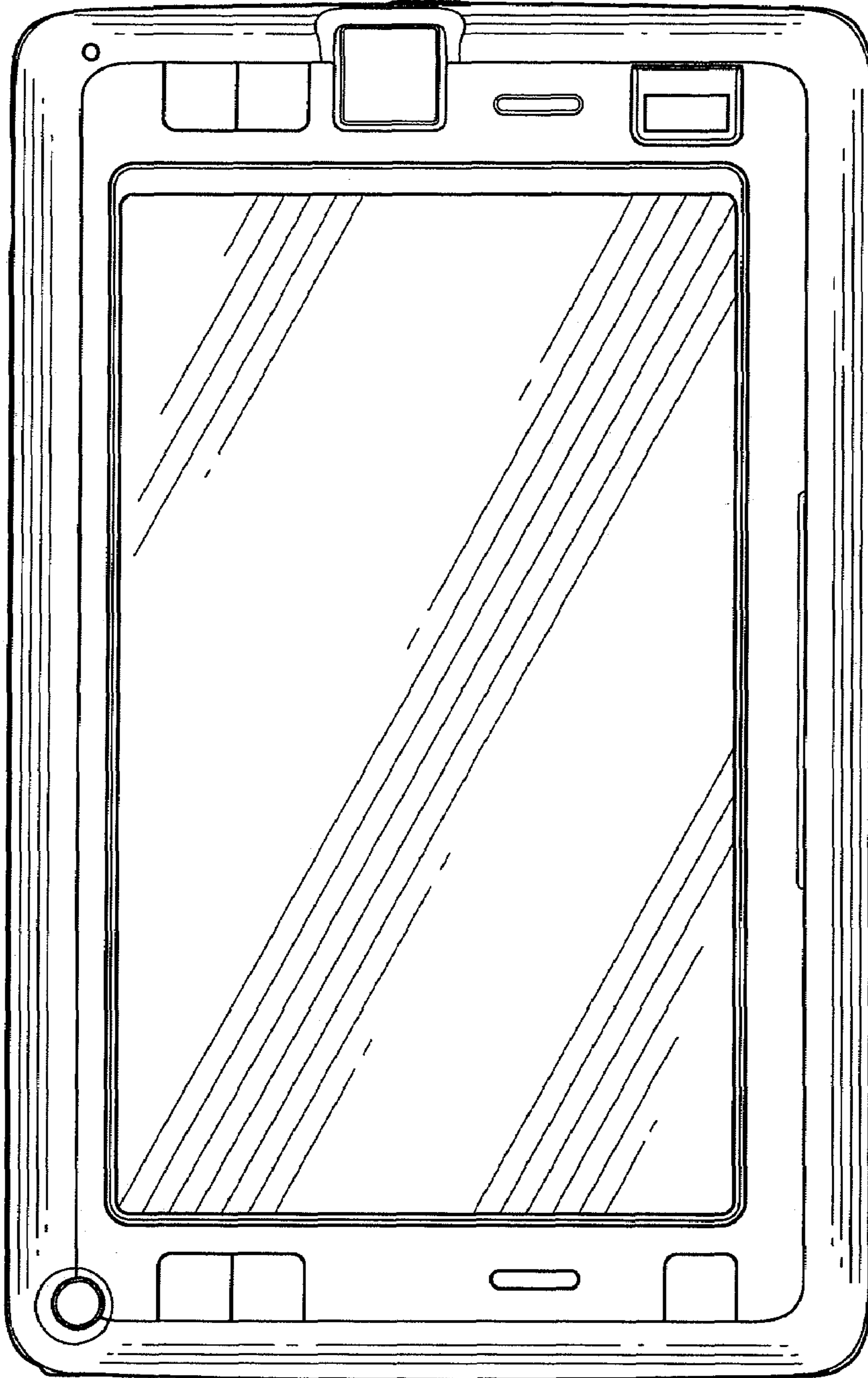


FIG. 2

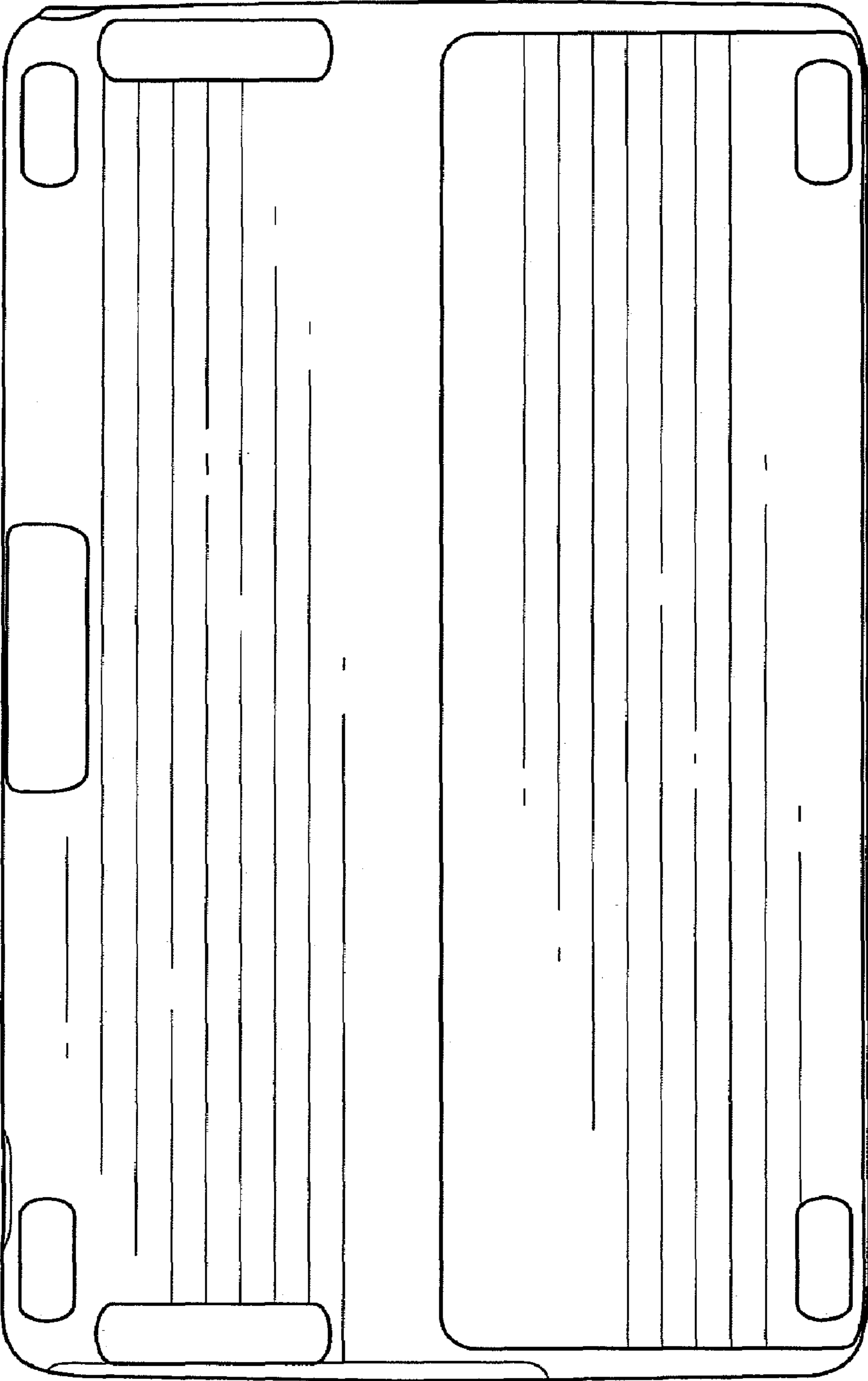


FIG. 3

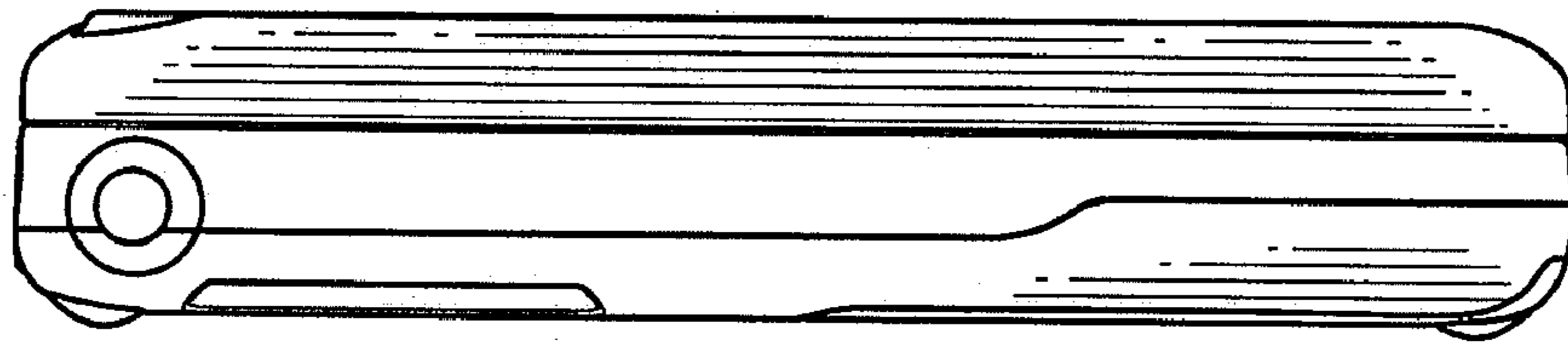


FIG. 4

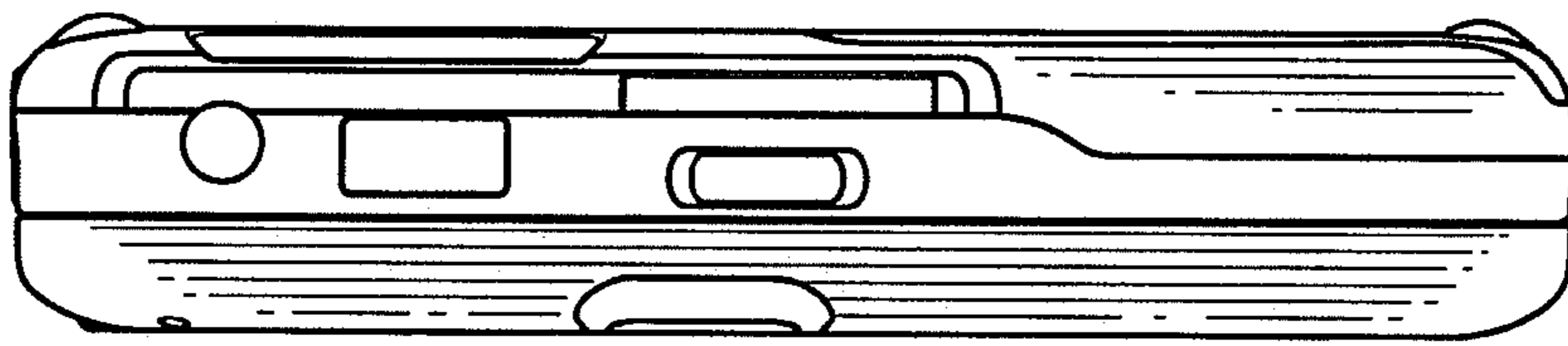


FIG. 5

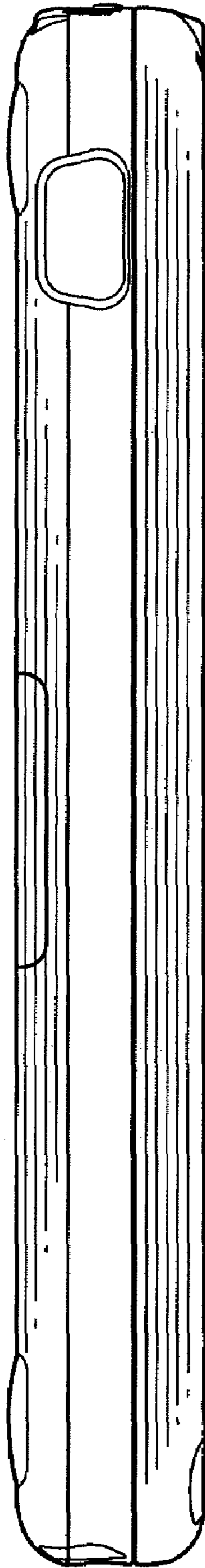


FIG. 6

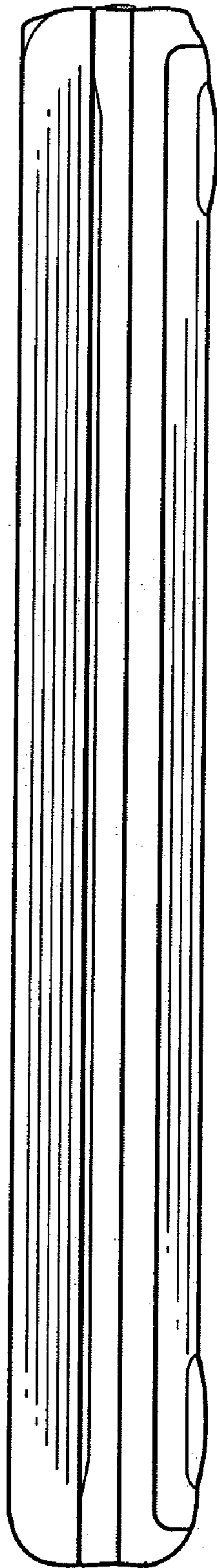


FIG. 7

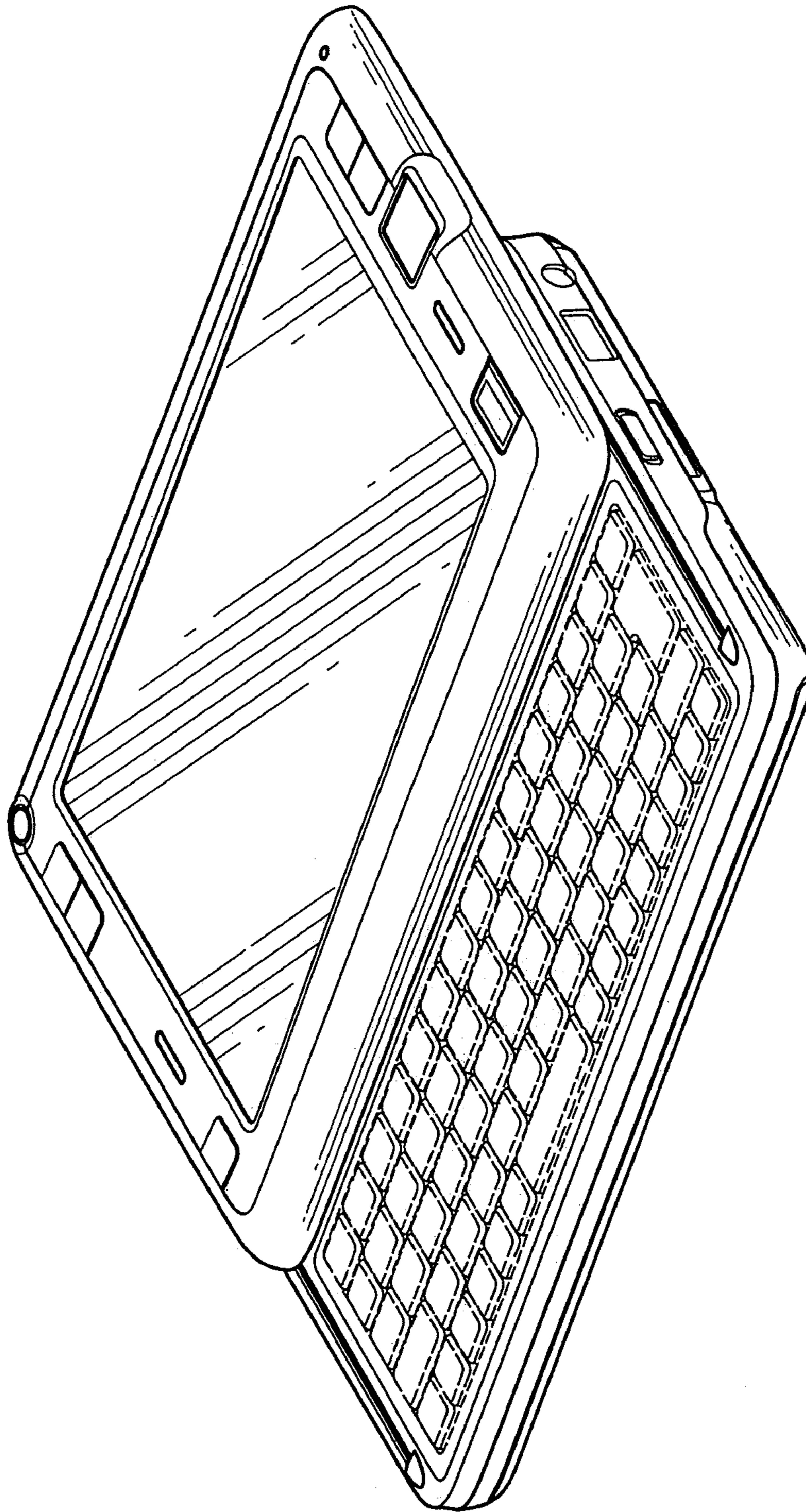


FIG. 8

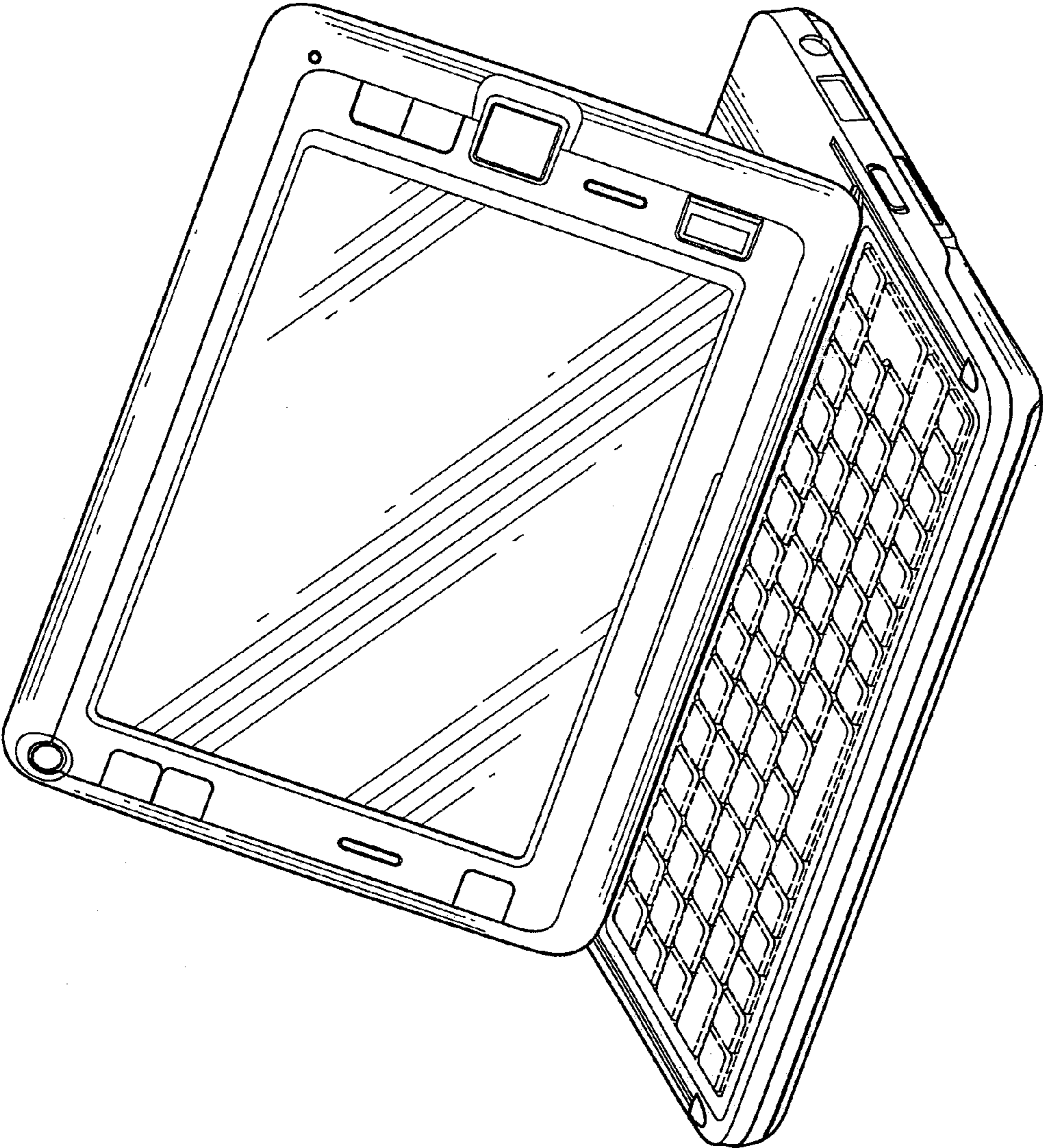


FIG. 9