



US00D580919S

(12) **United States Design Patent**
Yokota

(10) **Patent No.:** **US D580,919 S**
(45) **Date of Patent:** **** Nov. 18, 2008**

(54) **TELEVISION RECEIVER**
(75) Inventor: **Hiroaki Yokota**, Tokyo (JP)
(73) Assignee: **Sony Corporation**, Tokyo (JP)
(**) Term: **14 Years**
(21) Appl. No.: **29/290,477**
(22) Filed: **Dec. 10, 2007**

D453,022 S 1/2002 Oba
D462,359 S * 9/2002 Scharer et al. D14/451
D526,291 S 8/2006 Anzures
D539,273 S 3/2007 Fujii

FOREIGN PATENT DOCUMENTS

JP D1155176 S 10/2002
JP D1176244 S 6/2003
JP D1221477 S 11/2004
KR D30-0334382 S 10/2003

* cited by examiner

(30) **Foreign Application Priority Data**
Jun. 13, 2007 (JP) 2007-015720

Primary Examiner—Raphael Barkai
Assistant Examiner—Randall H Gholson
(74) *Attorney, Agent, or Firm*—Rader, Fishman & Grauer, PLLC

(51) **LOC (8) Cl.** **14-03**
(52) **U.S. Cl.** **D14/239**
(58) **Field of Classification Search** D14/239,
D14/451-454, 224, 316, 375-377, 432, 439,
D14/447, 448, 455, 457, 469, 125-134; D8/363,
D8/373, 349, 394; 248/126, 278.1, 279.1,
248/514, 291.1, 125.1, 121, 124.1, 125.7,
248/276.1, 415, 284.1, 286.1, 281.11, 292.11,
248/181.2, 917-921, 127, 128, 133, 178.1,
248/183.1, 183.2, 346.01, 346.03, 349.1,
248/371, 473, 474, 512; 348/825, 827, 836,
348/837; 600/443

See application file for complete search history.

(57) **CLAIM**

The ornamental design for a television receiver, as shown and described.

DESCRIPTION

FIG. 1 is a front perspective view of a television receiver showing my new design;
FIG. 2 is a front elevational view thereof;
FIG. 3 is a rear elevational view thereof;
FIG. 4 is a left side elevational view thereof;
FIG. 5 is a right side elevational view thereof; and
FIG. 6 is a top plan view thereof.
FIG. 7 is a bottom plan view thereof; and
FIG. 8 is a rear perspective view thereof.

The portions indicated in broken lines are for illustrative purposes only and form no part of the claimed design.

(56) **References Cited**
U.S. PATENT DOCUMENTS

D217,225 S * 4/1970 Fitsimmons D8/373
4,278,225 A * 7/1981 Phelps 248/311.3
D312,205 S * 11/1990 de Rooij D8/373
D317,910 S * 7/1991 Hawkins et al. D14/447
D400,781 S * 11/1998 Wilkening et al. D8/381
D421,383 S * 3/2000 Walker et al. D8/373
D447,047 S * 8/2001 Clifford D8/373

1 Claim, 8 Drawing Sheets

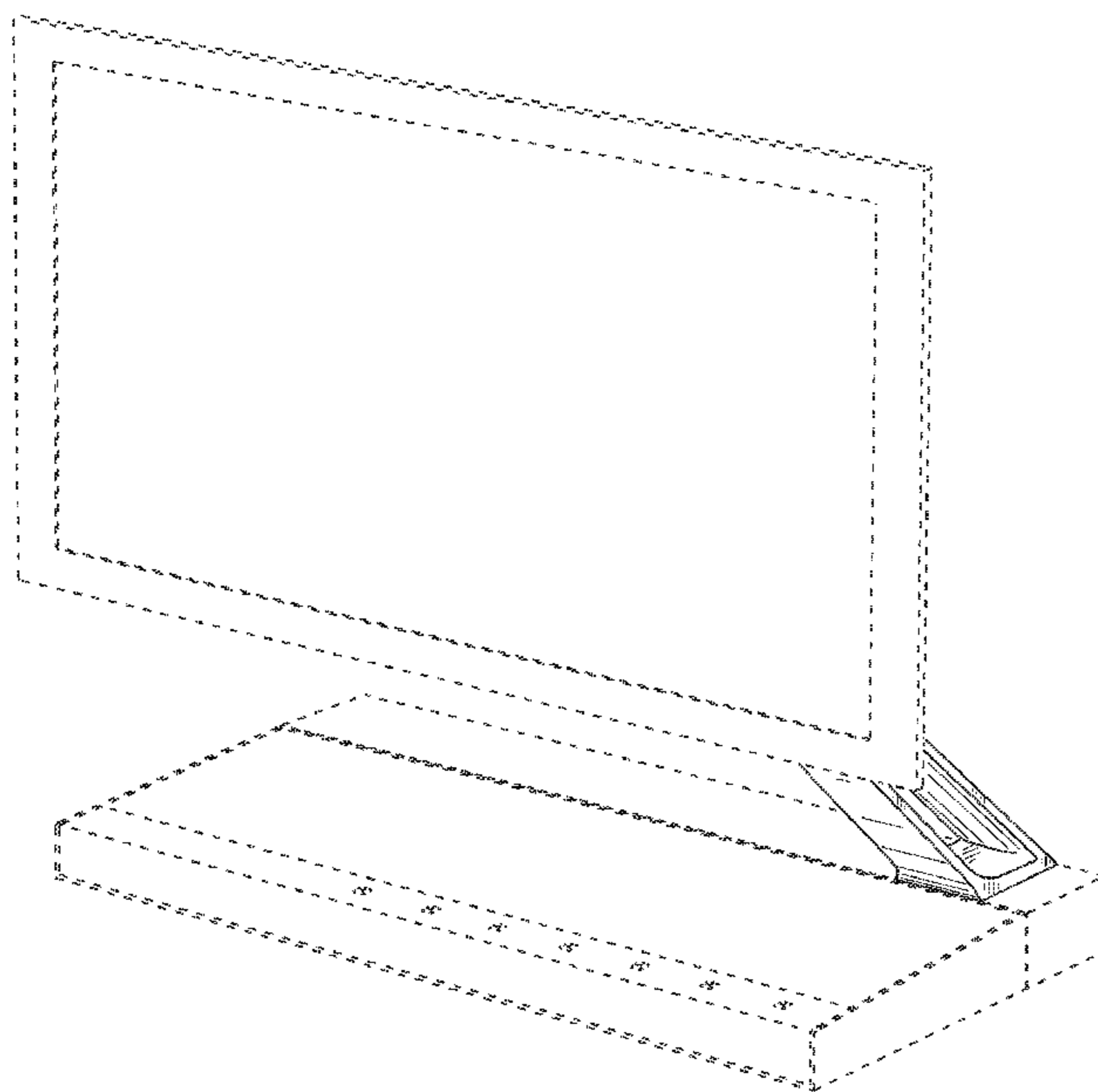
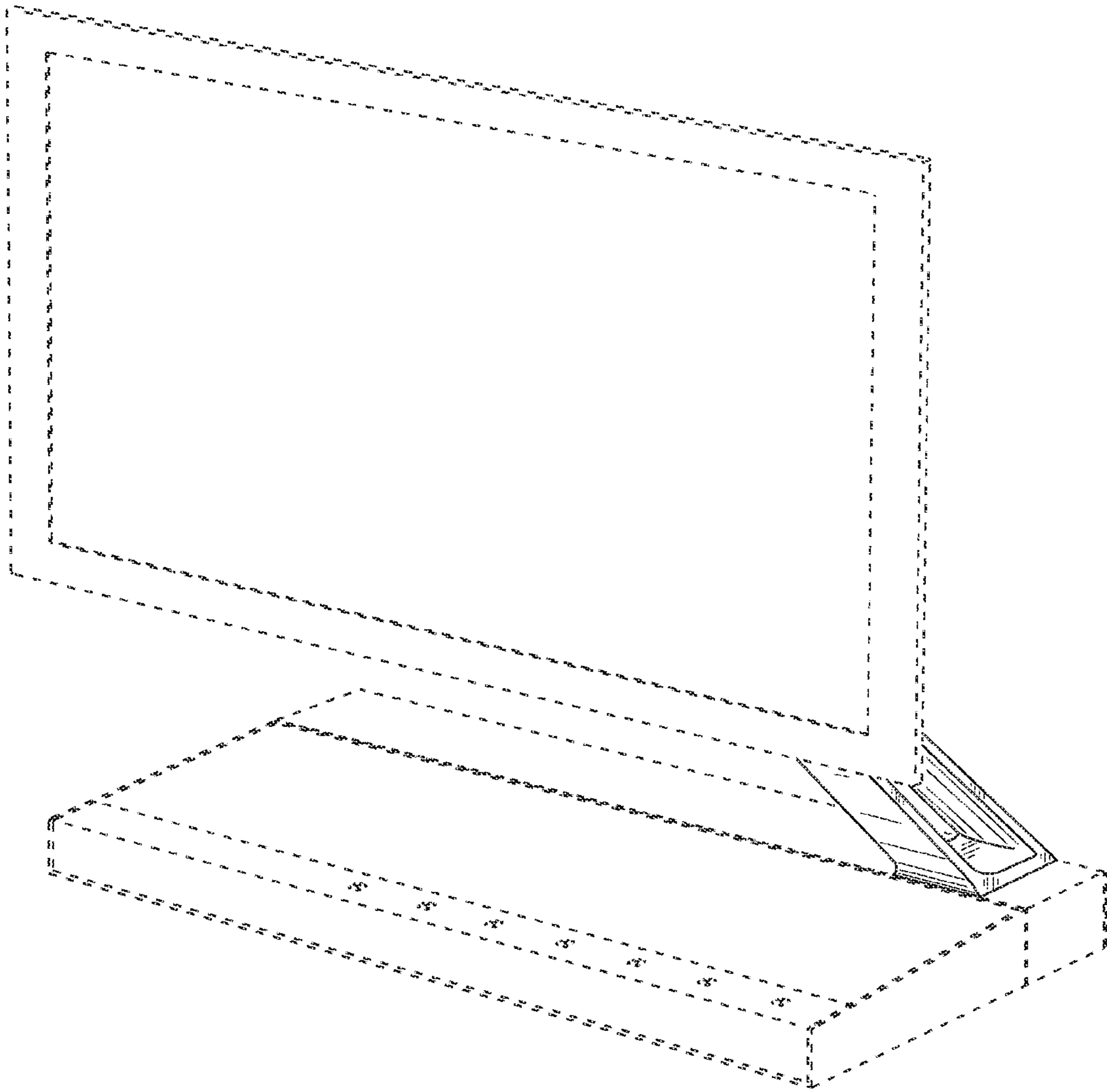


FIG.1



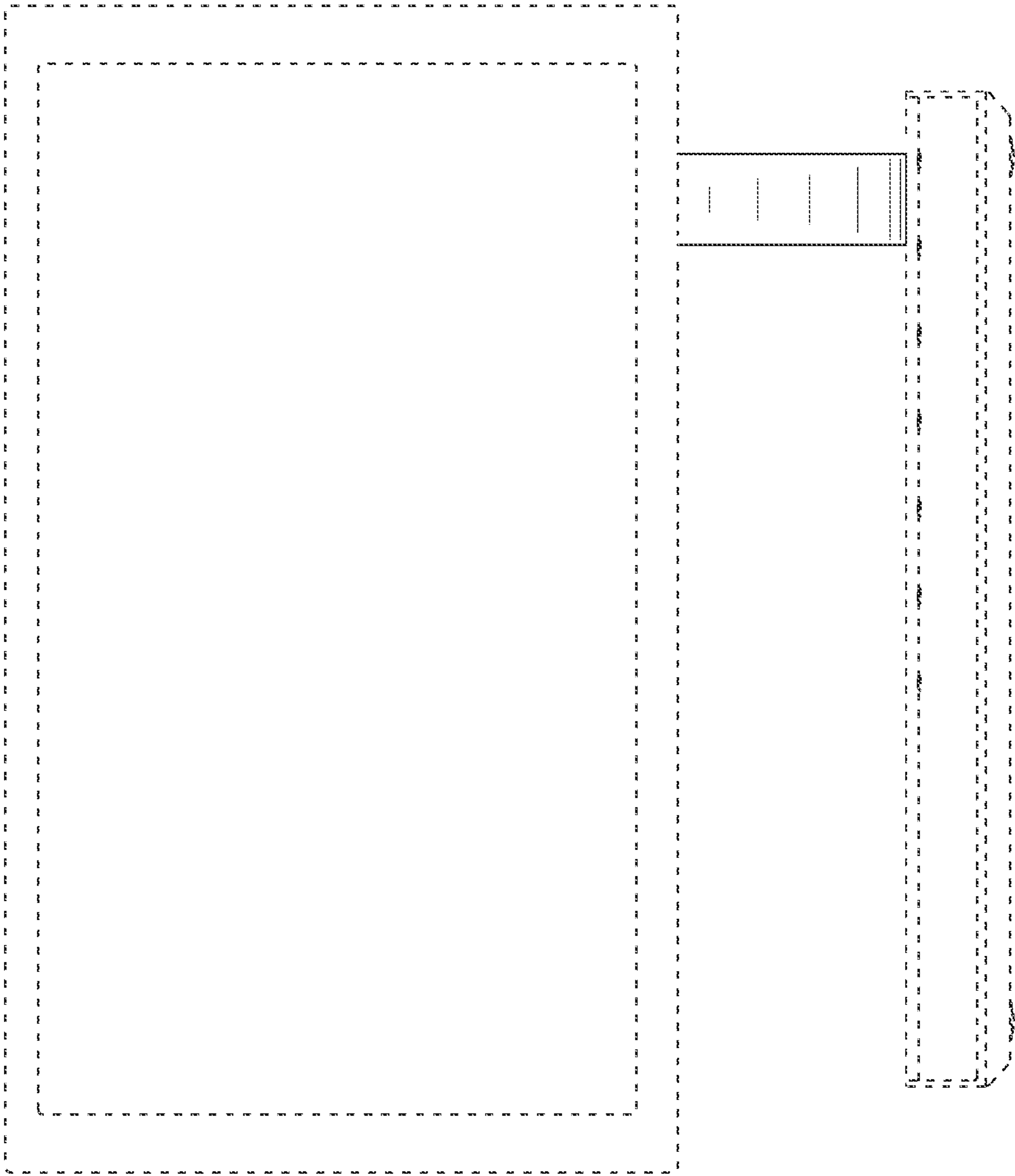


FIG. 2

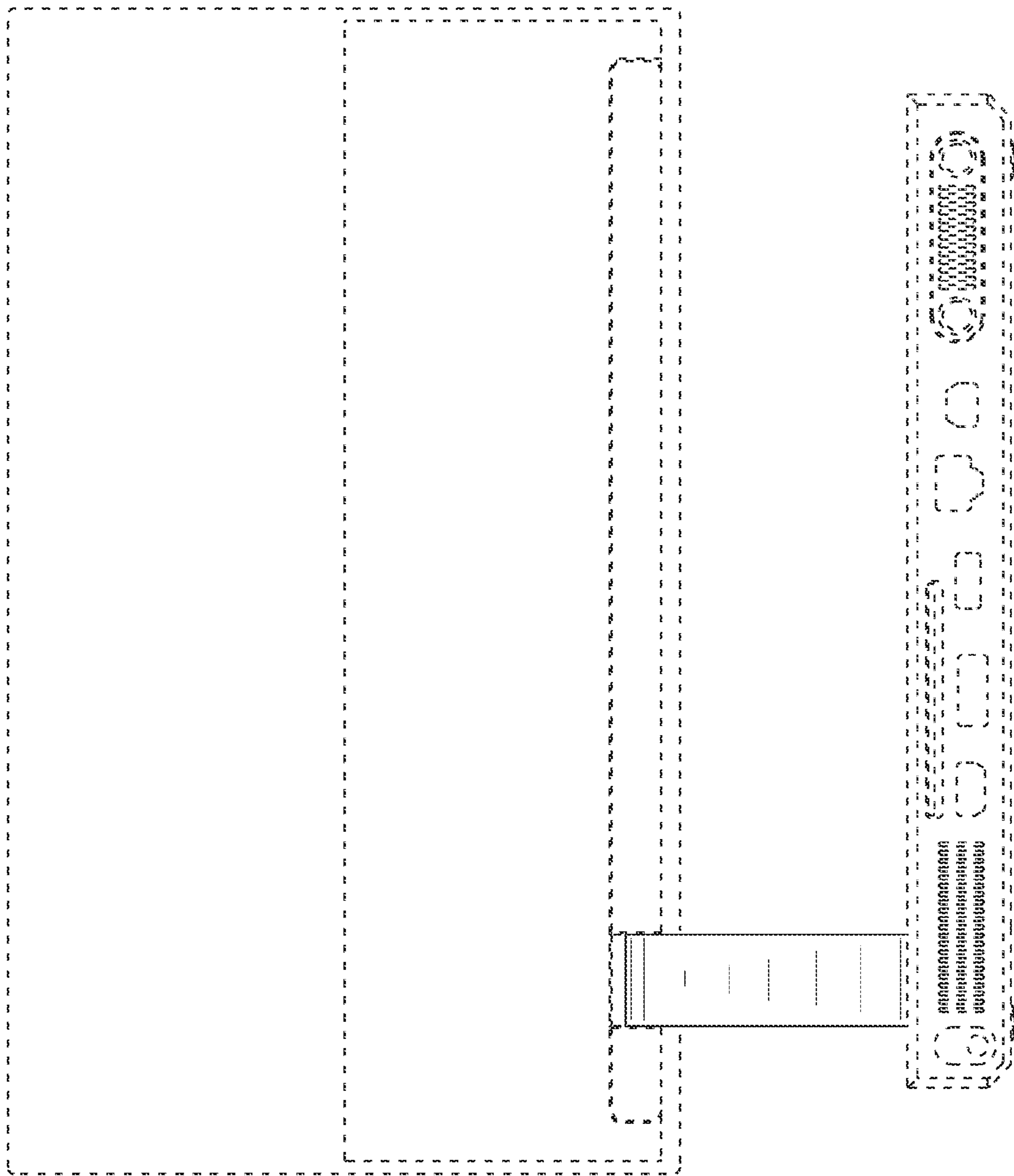


FIG. 3

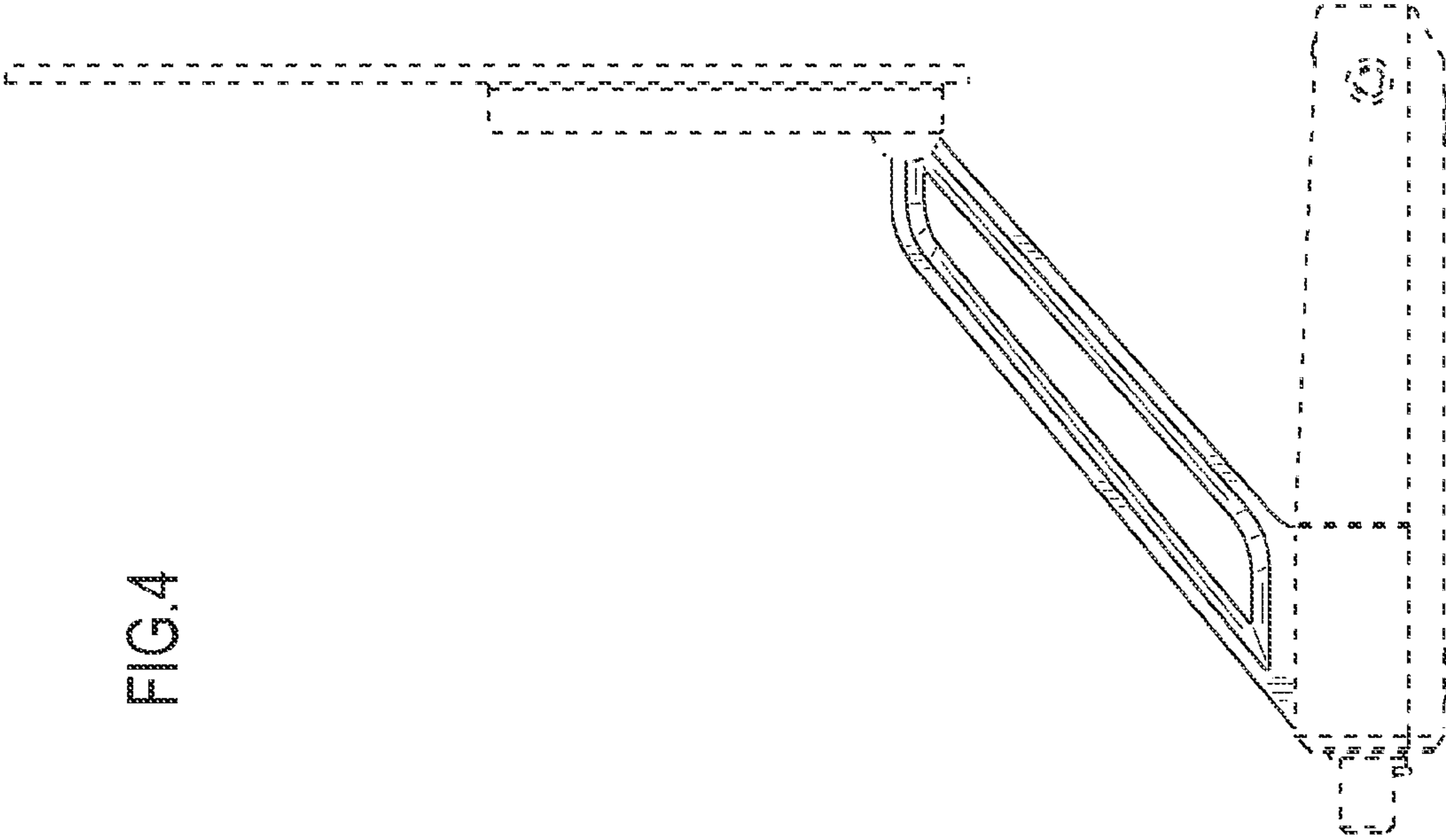


FIG.4

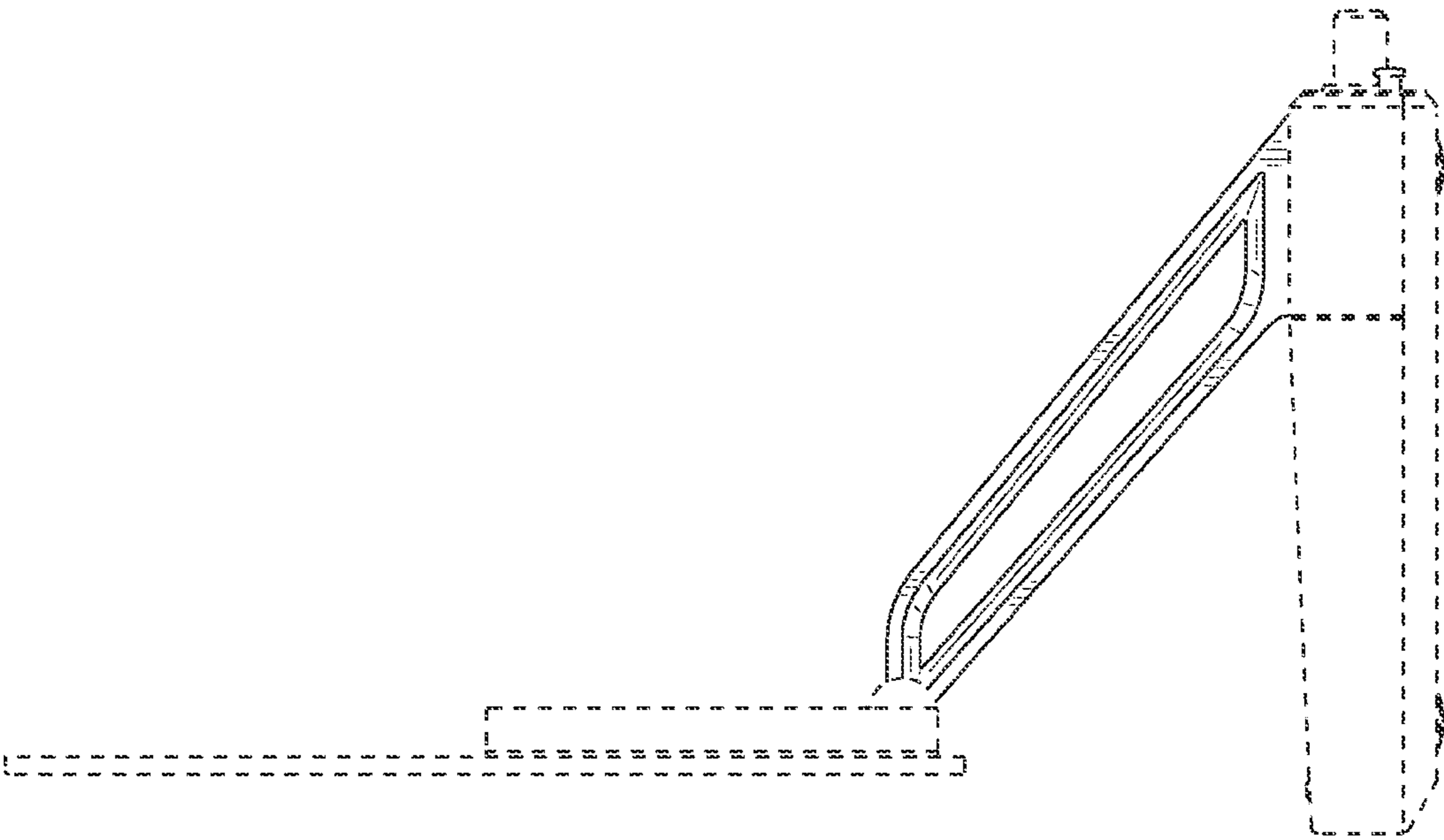


FIG.5

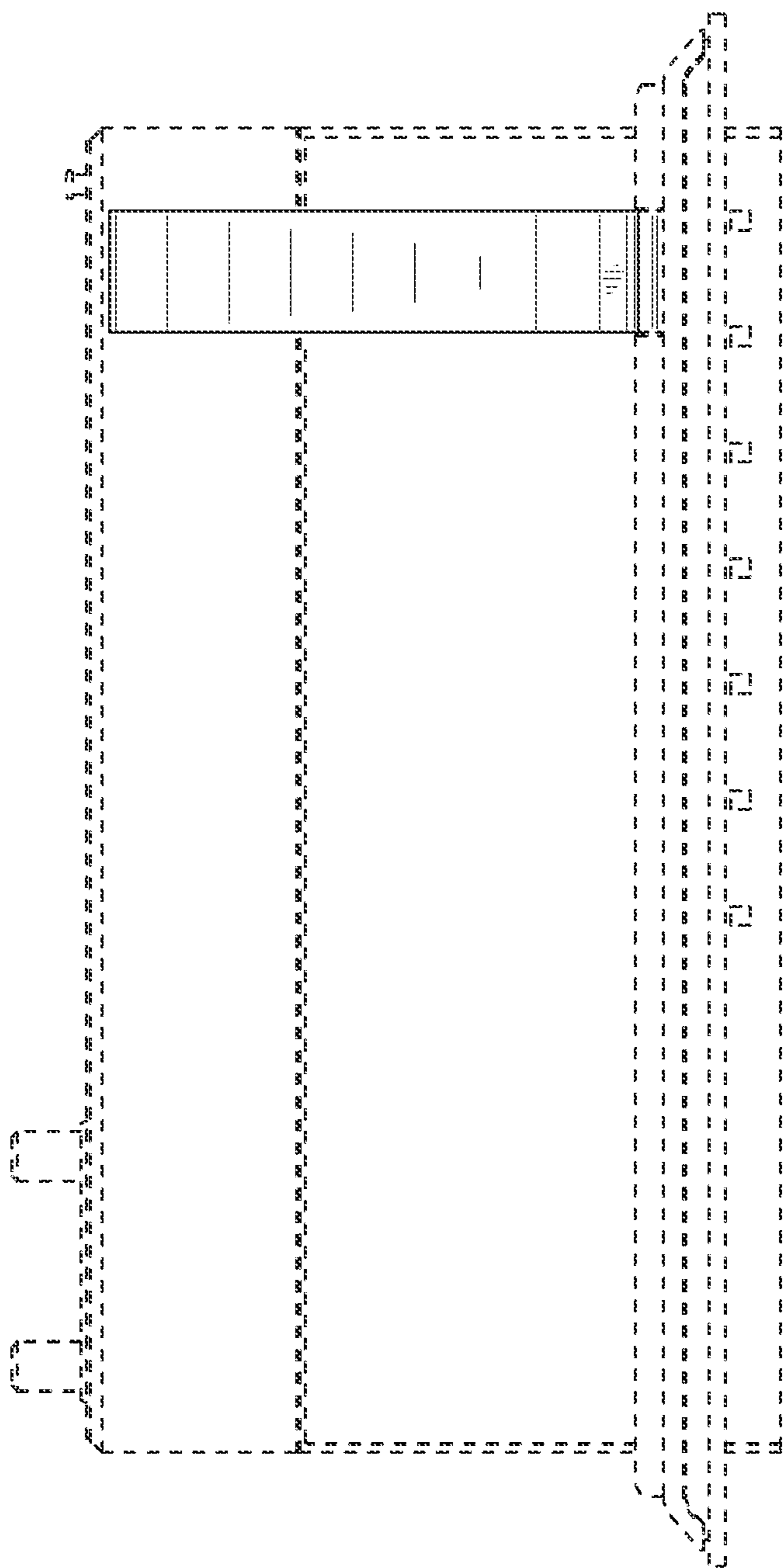


FIG. 6

FIG. 7

