



US00D580916S

(12) **United States Design Patent**  
**Huang**

(10) **Patent No.:** **US D580,916 S**

(45) **Date of Patent:** **\*\* Nov. 18, 2008**

(54) **REMOTE CONTROL**

(75) Inventor: **Shao-Wei Huang**, Chung Ho (TW)

(73) Assignee: **AmTran Technology Co., Ltd**, Chung Ho (TW)

(\*\*) Term: **14 Years**

(21) Appl. No.: **29/321,334**

(22) Filed: **Jul. 15, 2008**

(51) **LOC (8) Cl.** ..... **14-03**

(52) **U.S. Cl.** ..... **D14/218**

(58) **Field of Classification Search** ..... D14/218,  
D14/455, 138; D13/168; D21/566; D10/104,  
D10/106; 345/169; 348/14.05, 114, 211.99,  
348/734; 340/825.24, 825.69; 341/22; 455/92,  
455/95, 128, 151.1–151.4, 352, 355, FOR. 121;  
700/65

See application file for complete search history.

(56) **References Cited**

**U.S. PATENT DOCUMENTS**

D506,463 S *	6/2005	Daniels	.....	D14/218
D515,072 S *	2/2006	Lee	.....	D14/218
D515,557 S *	2/2006	Okuley	.....	D14/218
D517,532 S *	3/2006	Chen	.....	D14/218
D531,993 S *	11/2006	Choi et al.	.....	D14/218
D532,777 S *	11/2006	Yu et al.	.....	D14/218

D532,779 S *	11/2006	Kim et al.	.....	D14/218
D548,727 S *	8/2007	Sagawa et al.	.....	D14/218
D550,212 S *	9/2007	Hakoda	.....	D14/218
D550,213 S *	9/2007	Hakoda	.....	D14/218
D551,659 S *	9/2007	Shih et al.	.....	D14/218
D552,600 S *	10/2007	Oota	.....	D14/218
D565,555 S *	4/2008	Goto	.....	D14/218
D567,804 S *	4/2008	Yan	.....	D14/218

\* cited by examiner

*Primary Examiner*—Robert M Spear

*Assistant Examiner*—John Windmuller

(74) *Attorney, Agent, or Firm*—Stevens & Showalter LLP

(57) **CLAIM**

The ornamental design for a “remote control,” as shown and described.

**DESCRIPTION**

FIG. 1 is a perspective view of remote control showing my new design;

FIG. 2 is a front view thereof;

FIG. 3 is a rear view thereof;

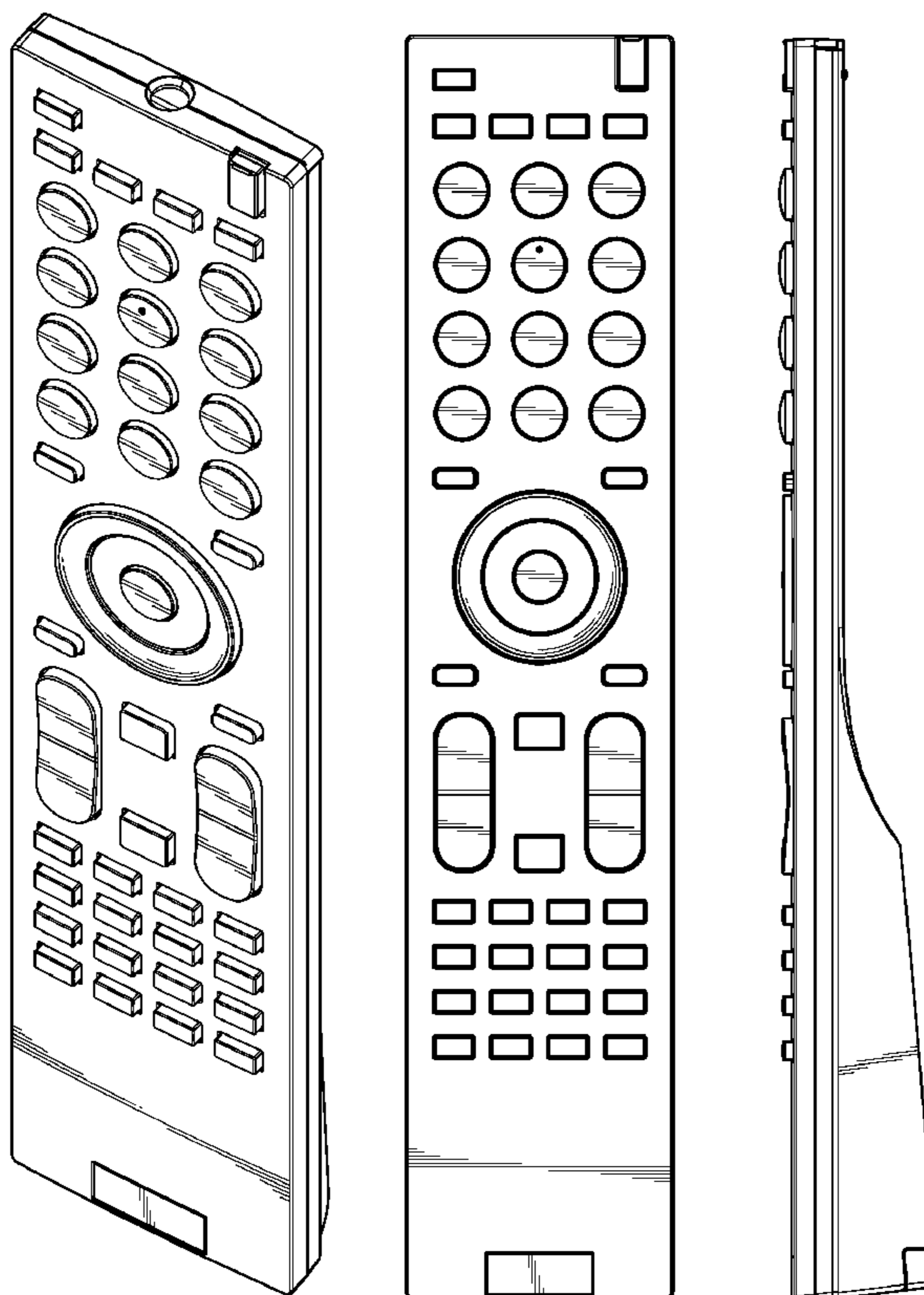
FIG. 4 is a left side elevational view thereof;

FIG. 5 is a right side elevational view thereof;

FIG. 6 is a top view thereof; and,

FIG. 7 is a bottom view thereof.

**1 Claim, 5 Drawing Sheets**



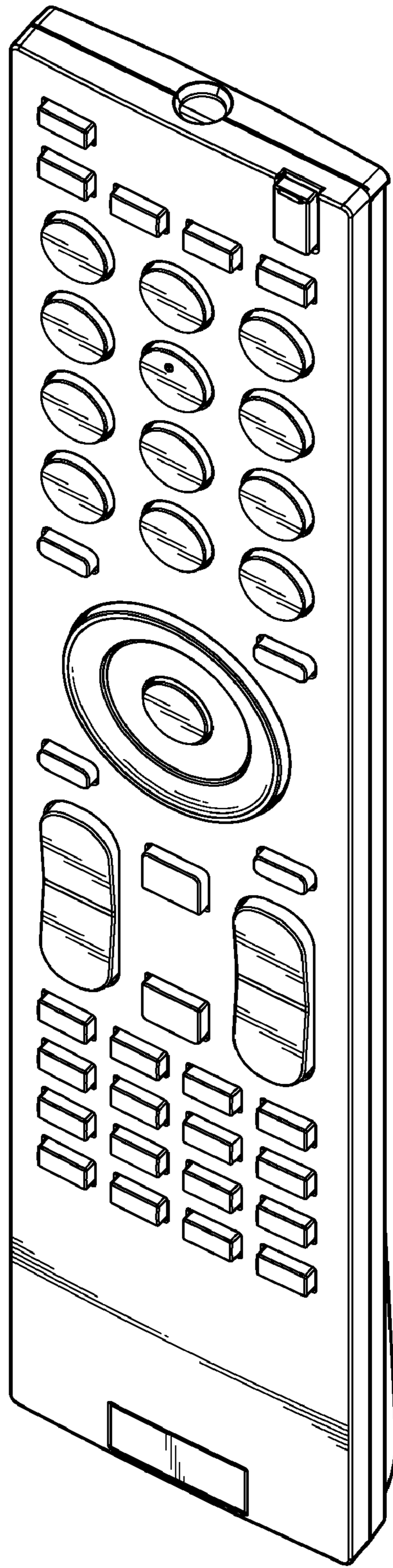


FIG.1

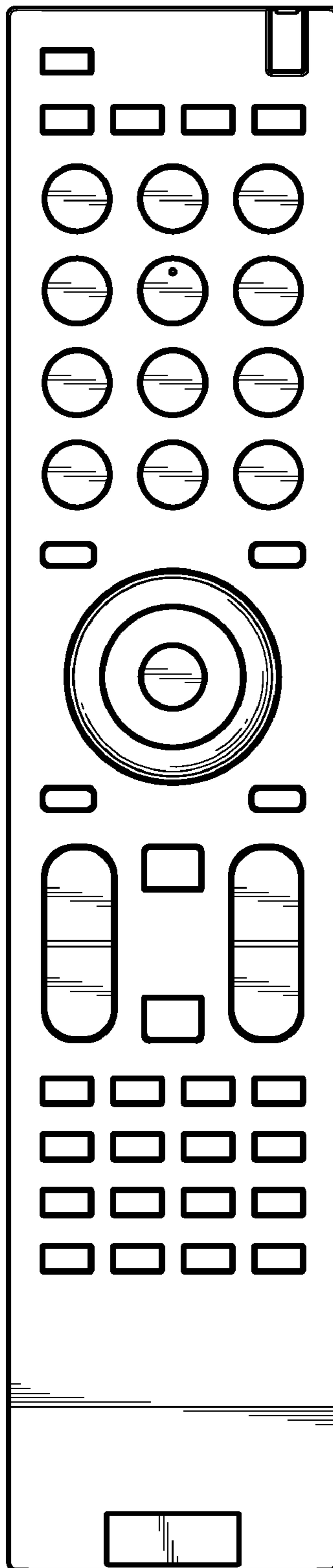


FIG.2

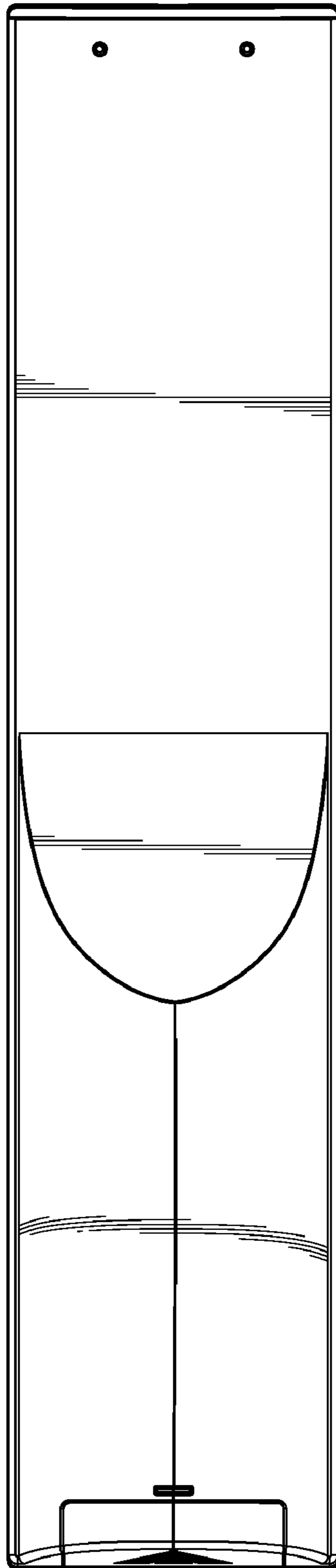


FIG.3

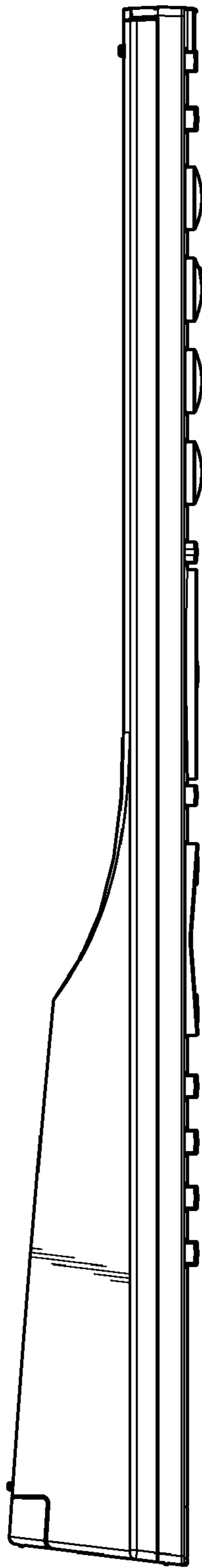


FIG. 4

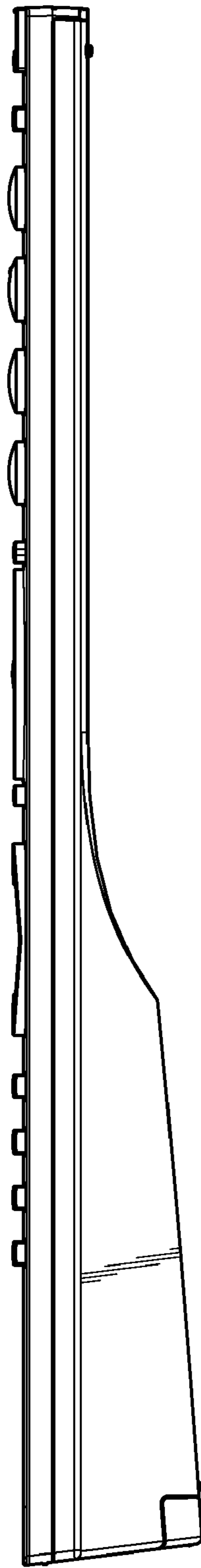


FIG. 5

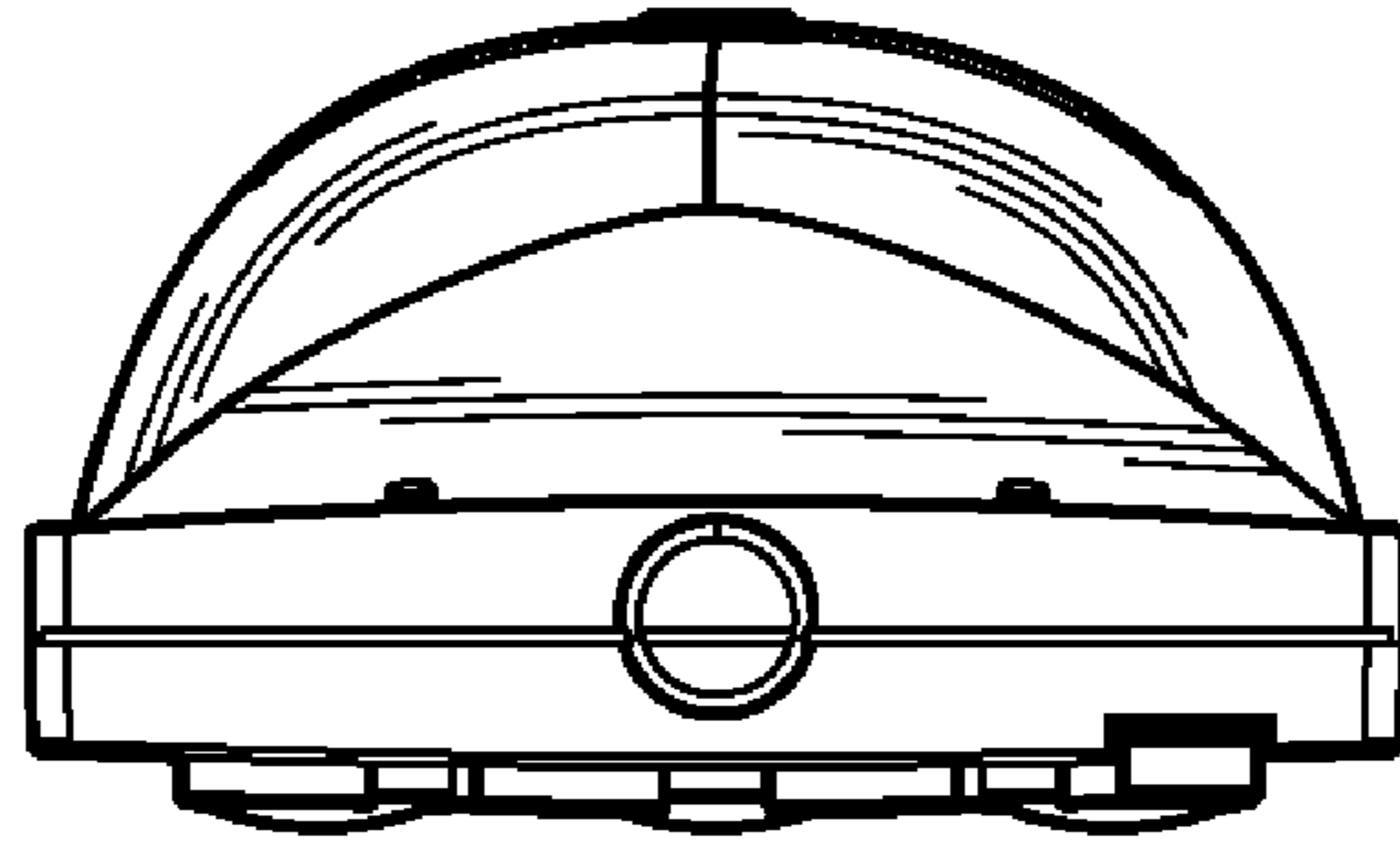


FIG. 6

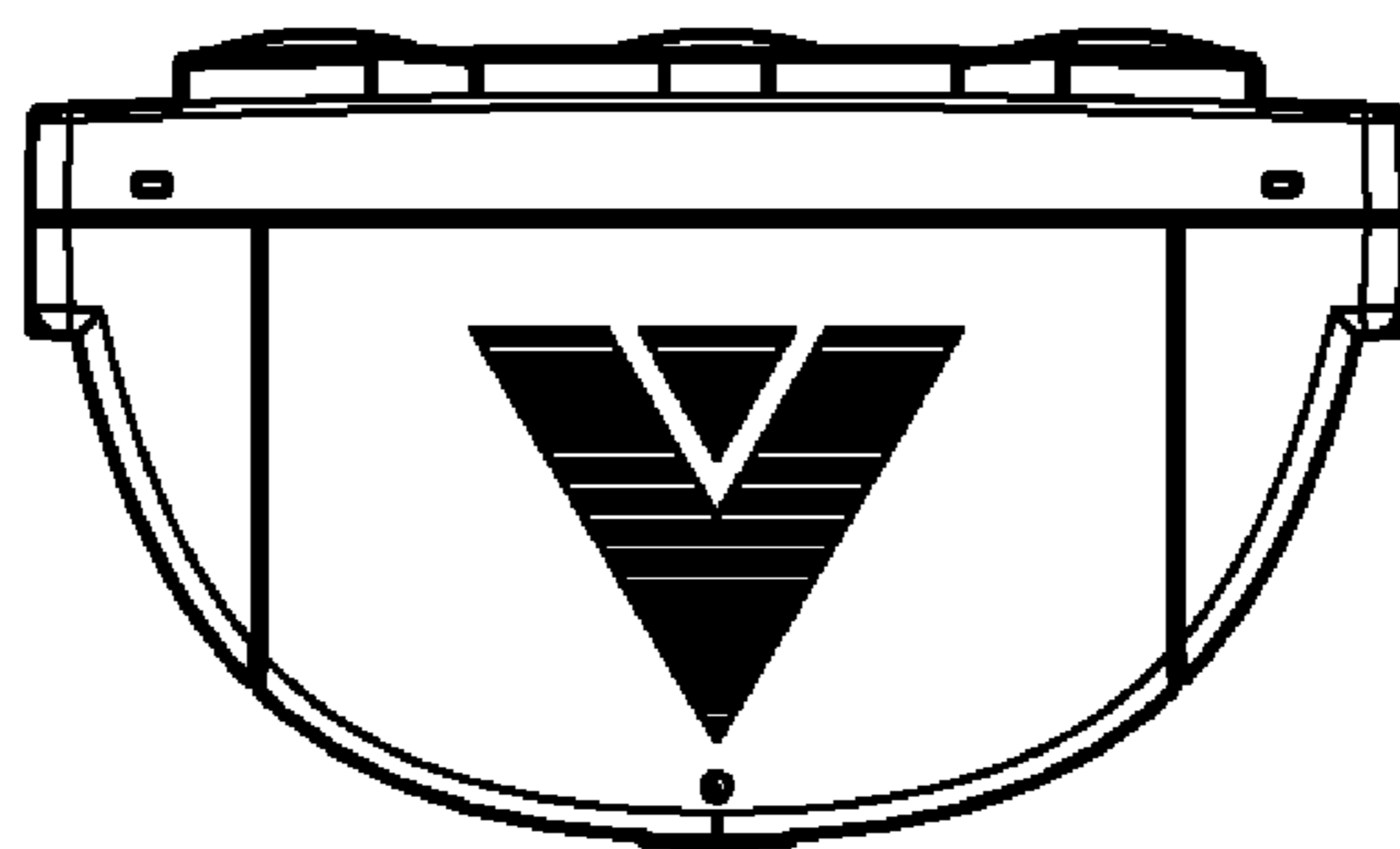


FIG. 7