



US00D580912S

(12) **United States Design Patent**
Andre et al.

(10) **Patent No.:** **US D580,912 S**
(45) **Date of Patent:** **** Nov. 18, 2008**

(54) **SPEAKER UNIT**

(75) Inventors: **Bartley K. Andre**, Menlo Park, CA (US); **Daniel J. Coster**, San Francisco, CA (US); **Daniele De Iuliis**, San Francisco, CA (US); **Richard P. Howarth**, San Francisco, CA (US); **Jonathan P. Ive**, San Francisco, CA (US); **Steve Jobs**, Palo Alto, CA (US); **Duncan Robert Kerr**, San Francisco, CA (US); **Shin Nishibori**, San Francisco, CA (US); **Matthew Dean Rohrbach**, San Francisco, CA (US); **Douglas B. Satzger**, Menlo Park, CA (US); **Calvin Q. Seid**, Palo Alto, CA (US); **Christopher J. Stringer**, Woodside, CA (US); **Eugene Antony Whang**, San Francisco, CA (US); **Rico Zorkendorfer**, San Francisco, CA (US)

(73) Assignee: **Apple Inc.**, Cupertino, CA (US)

(**) Term: **14 Years**

(21) Appl. No.: **29/296,896**

(22) Filed: **Oct. 30, 2007**

Related U.S. Application Data

(63) Continuation of application No. 29/240,183, filed on Oct. 7, 2005, now Pat. No. Des. 560,656.

(51) **LOC (8) Cl.** **14-01**

(52) **U.S. Cl.** **D14/214**

(58) **Field of Classification Search** D14/204, D14/209-217, 188, 168, 156, 171-172; 181/143-144, 181/147-148, 150, 157, 198-199, 151, 153; 381/300-302, 306, 333, 345, 361-364, 386-388, 381/332, 336

See application file for complete search history.

(56) **References Cited**

U.S. PATENT DOCUMENTS

3,143,182 A 8/1964 Sears et al.

(Continued)

OTHER PUBLICATIONS

U.S. Appl. No. 29/296,896, filed Oct. 30, 2007.

U.S. Appl. No. 29/251,423, filed Jan. 5, 2006.

Primary Examiner—Nanda Bondade

(74) *Attorney, Agent, or Firm*—Sterne, Kessler, Goldstein & Fox P.L.L.C.

(57) **CLAIM**

We claim the ornamental design for an speaker unit, substantially as shown and described.

DESCRIPTION

FIG. 1 is a front perspective view of a speaker unit in accordance with the present invention;

FIG. 2 is a rear perspective view thereof;

FIG. 3 is a front view thereof;

FIG. 4 is a rear view thereof;

FIG. 5 is a top view thereof;

FIG. 6 is bottom view thereof;

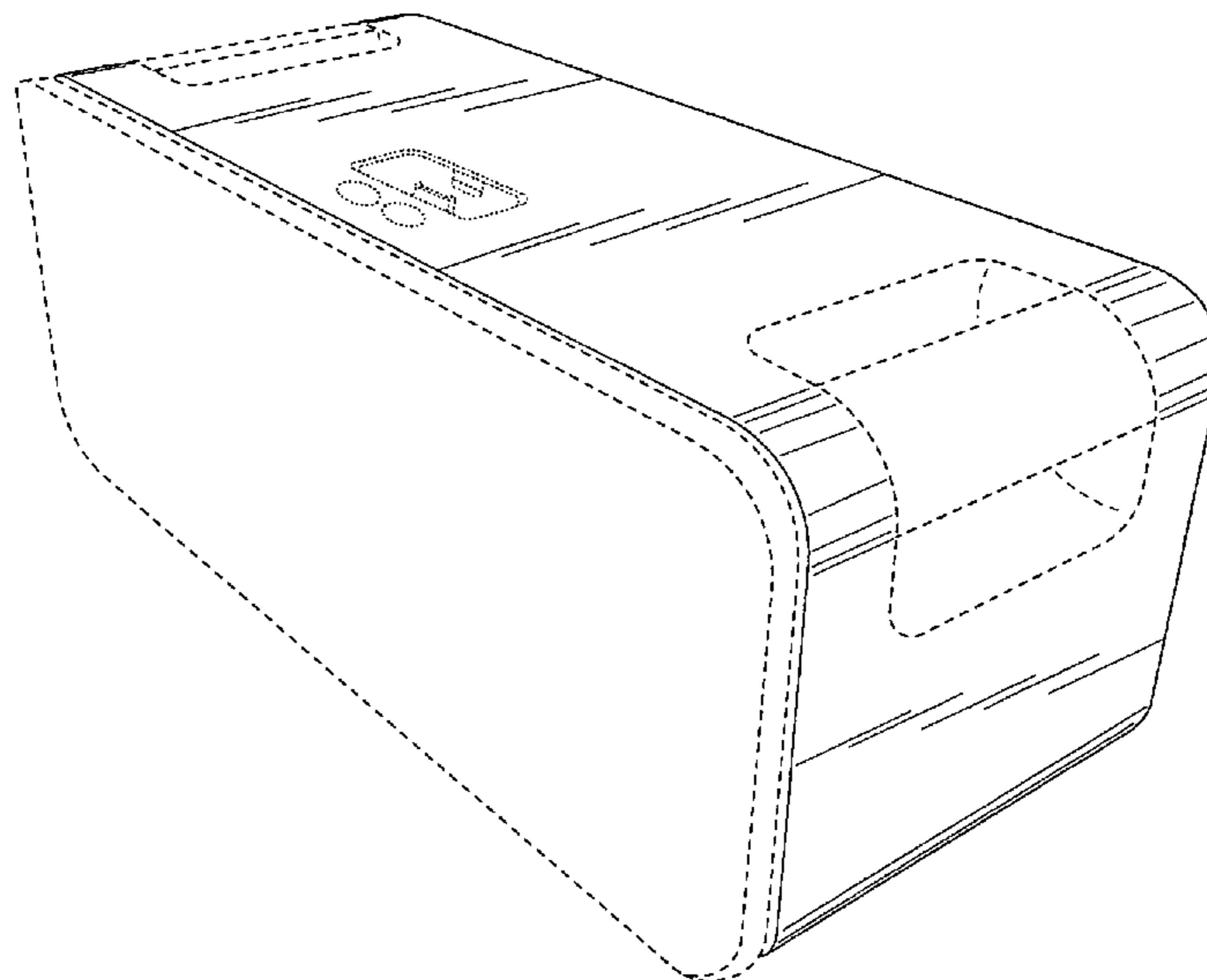
FIG. 7 is a right side view thereof;

FIG. 8 is a left side view thereof; and,

FIG. 9 is a front view thereof with the speaker cover removed.

The broken lines illustrating the speaker unit are included for the purpose of illustrating environmental structure only and form no part of the claimed design.

1 Claim, 6 Drawing Sheets



US D580,912 S

Page 2

U.S. PATENT DOCUMENTS

D369,356 S	4/1996	Olson	D510,091 S	9/2005	Mori et al.	
D385,530 S	10/1997	Hames et al.	D514,090 S	1/2006	Carbone et al.	
D395,047 S	6/1998	Segan et al.	D514,259 S *	1/2006	Brown et al.	D29/106
D397,996 S	9/1998	Smith	7,075,579 B2	7/2006	Whitby et al.	
5,952,814 A	9/1999	Van Lerberghe	D526,321 S	8/2006	Hayes et al.	
D418,138 S	12/1999	Miyazaki	D530,717 S	10/2006	Mori et al.	
D442,939 S	5/2001	Goldenburg	D532,005 S	11/2006	Leith	
6,591,085 B1	7/2003	Grady	7,145,603 B2	12/2006	Whitby et al.	
D508,041 S	8/2005	Carbone et al.	D535,614 S	1/2007	Majanen et al.	
D508,689 S	8/2005	Schul et al.	2004/0162029 A1	8/2004	Grady	

* cited by examiner

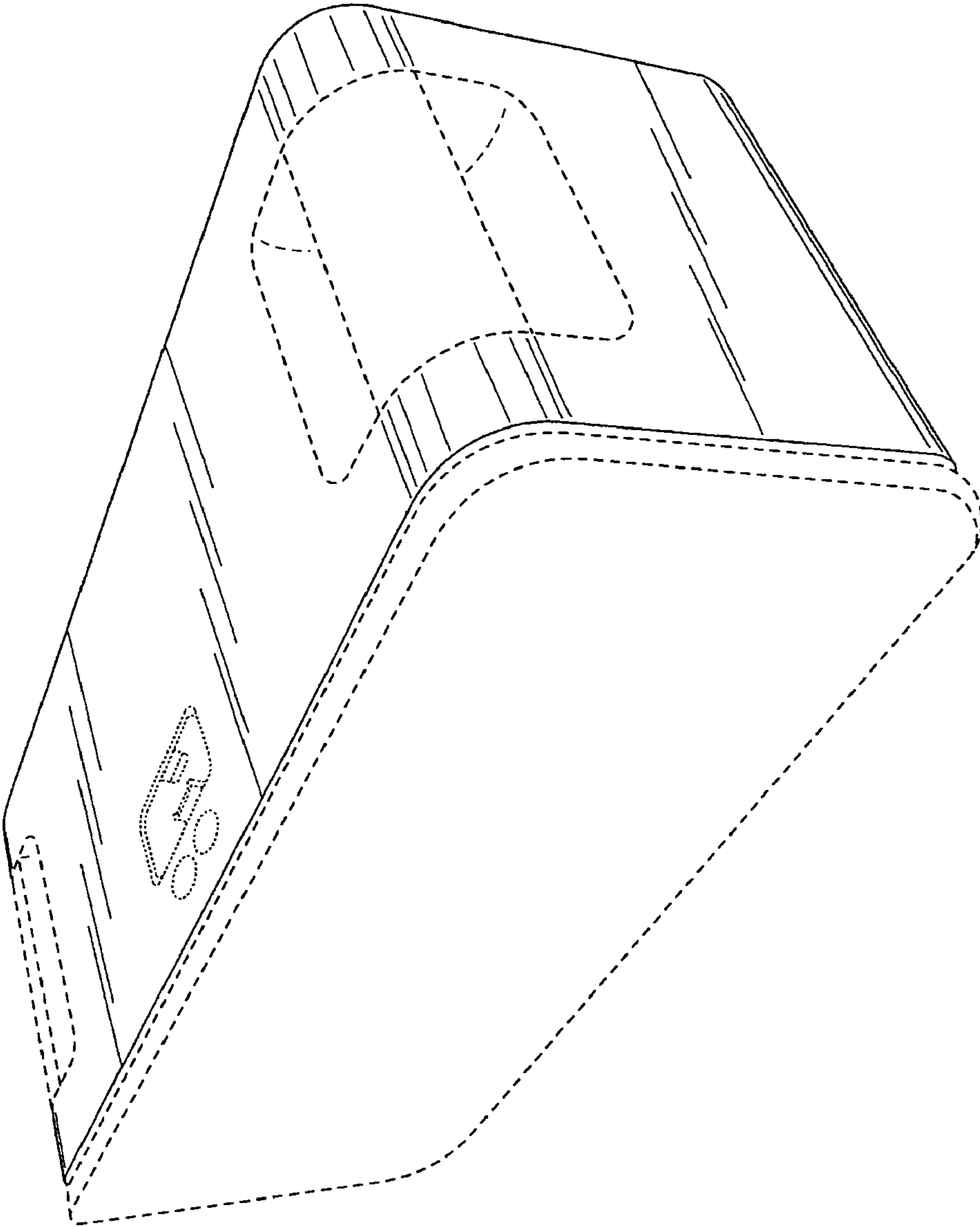


FIG. 1

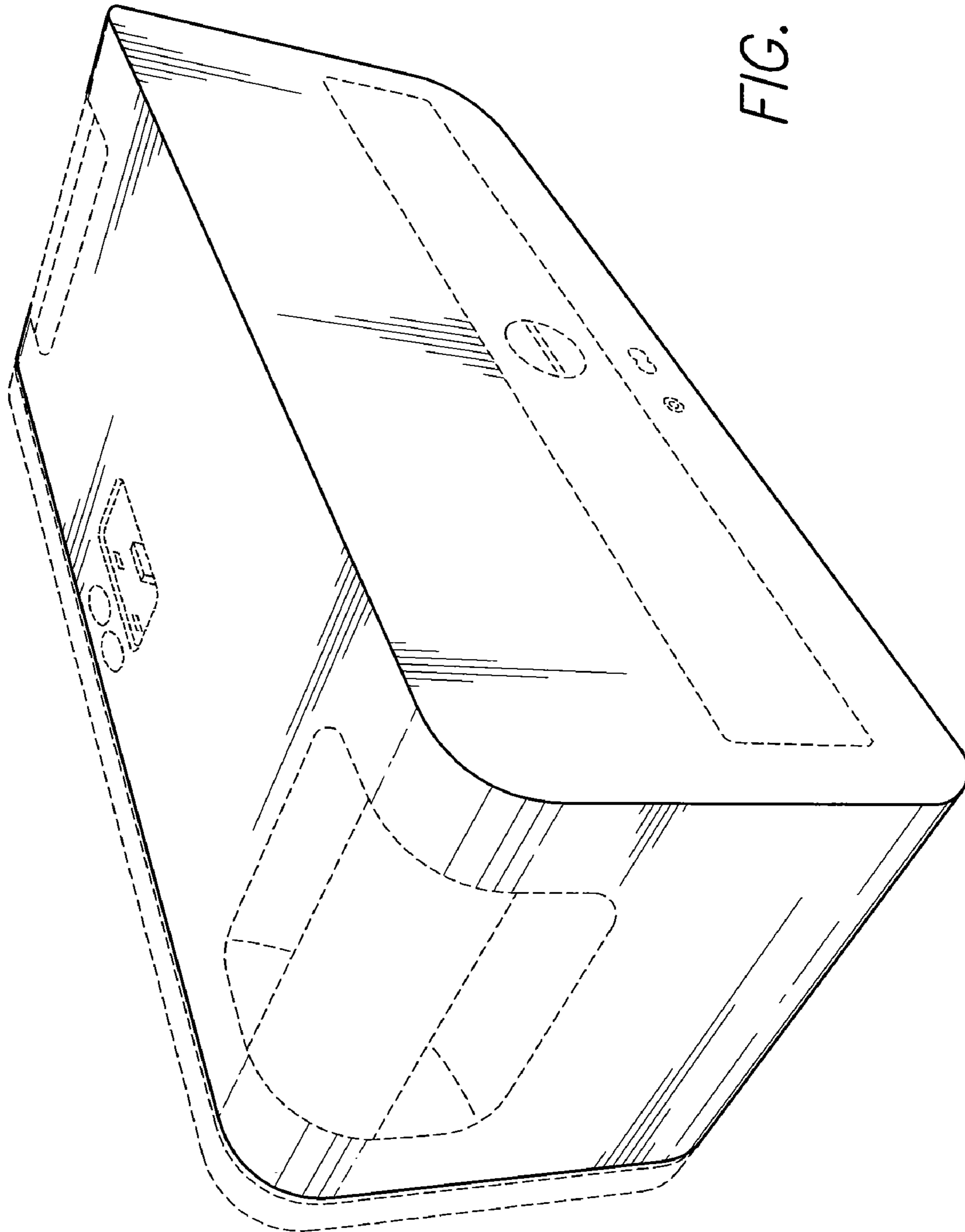


FIG. 2

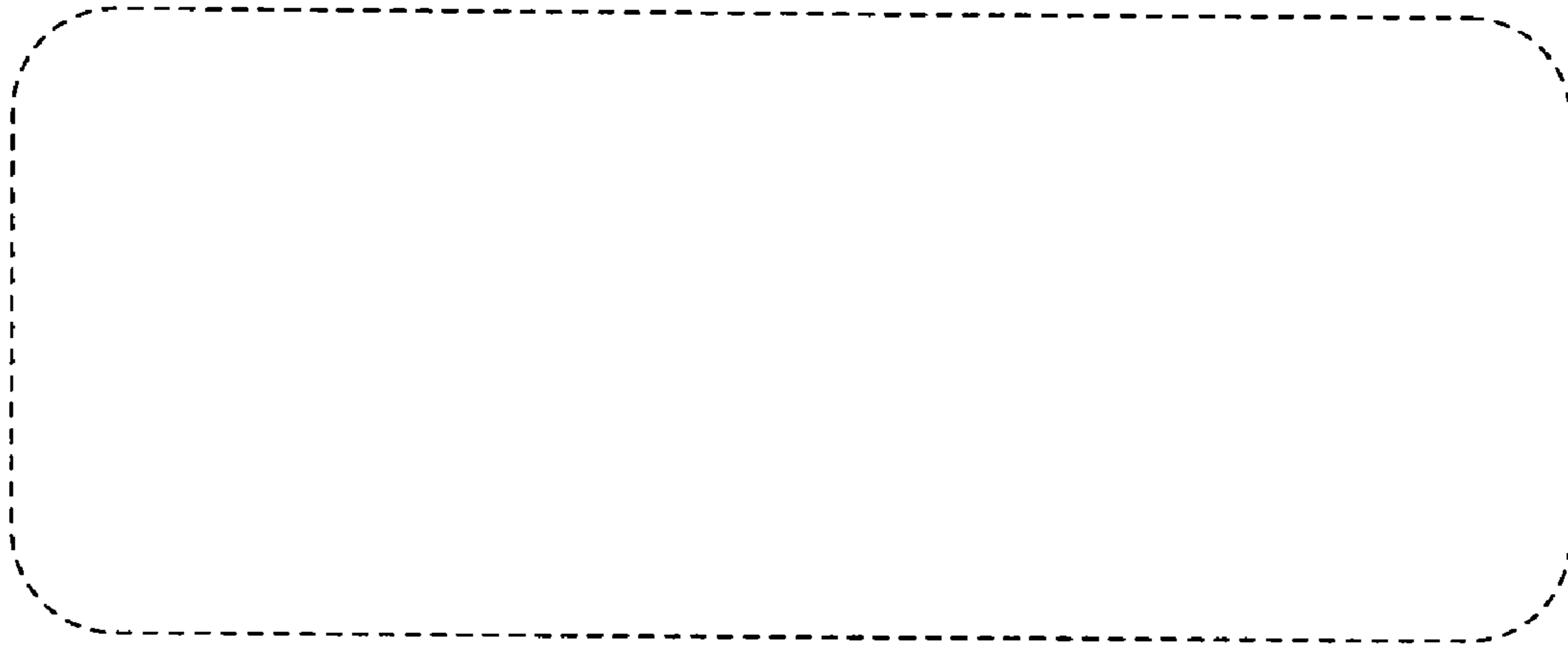


FIG. 3

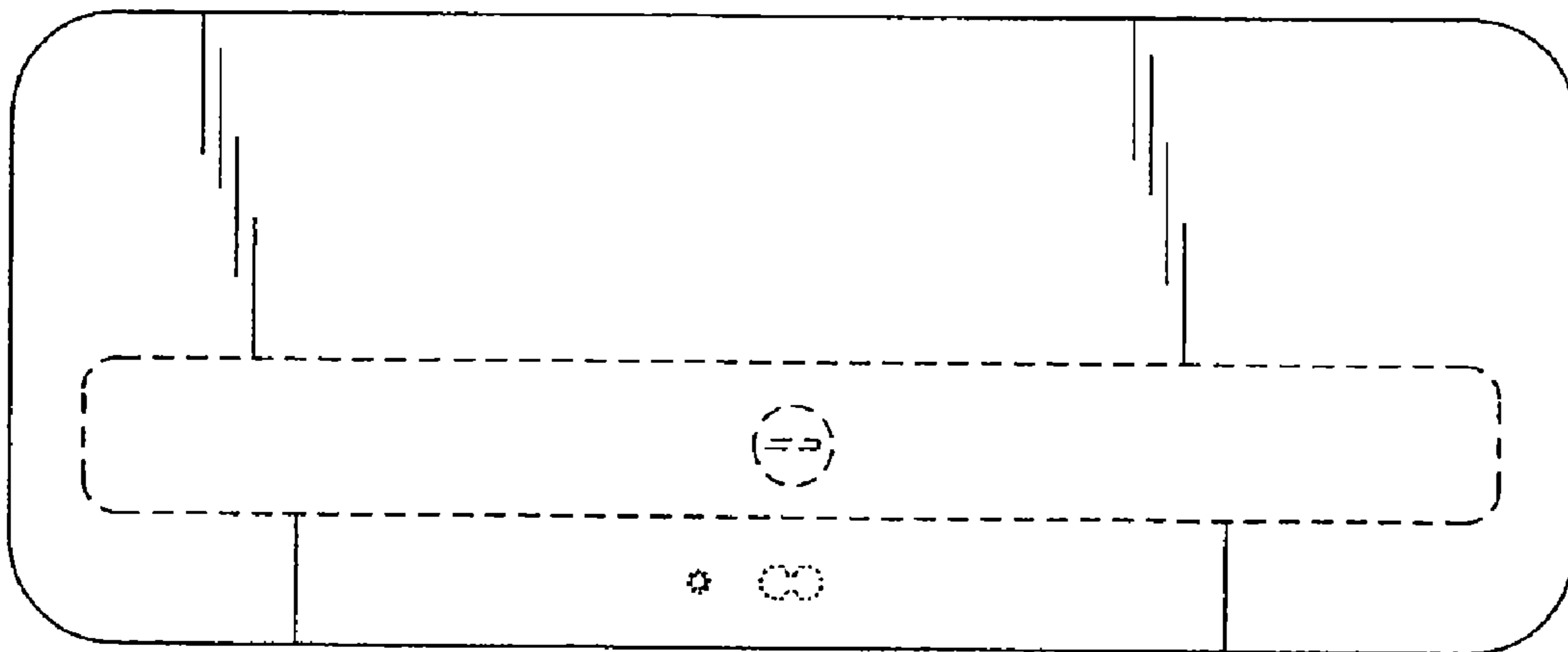


FIG. 4

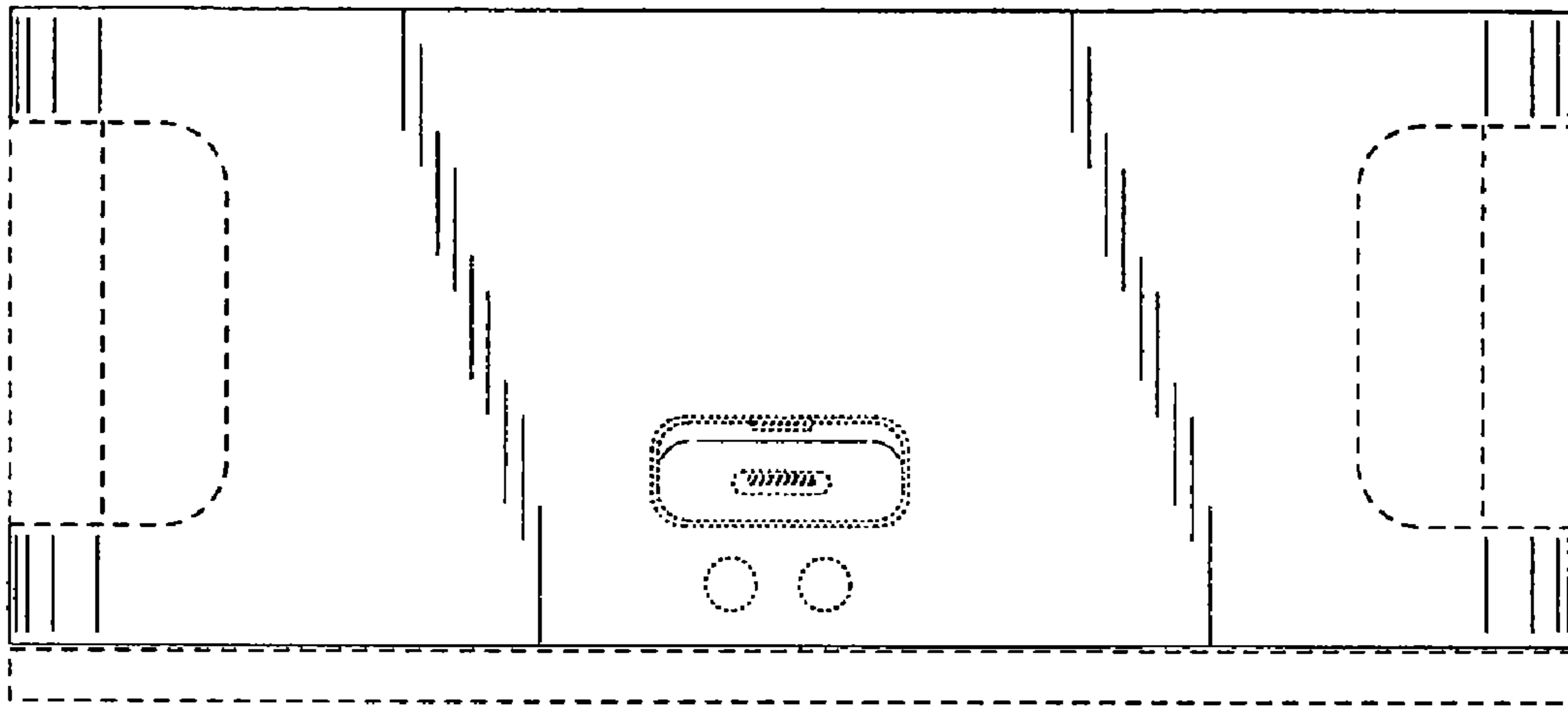


FIG. 5

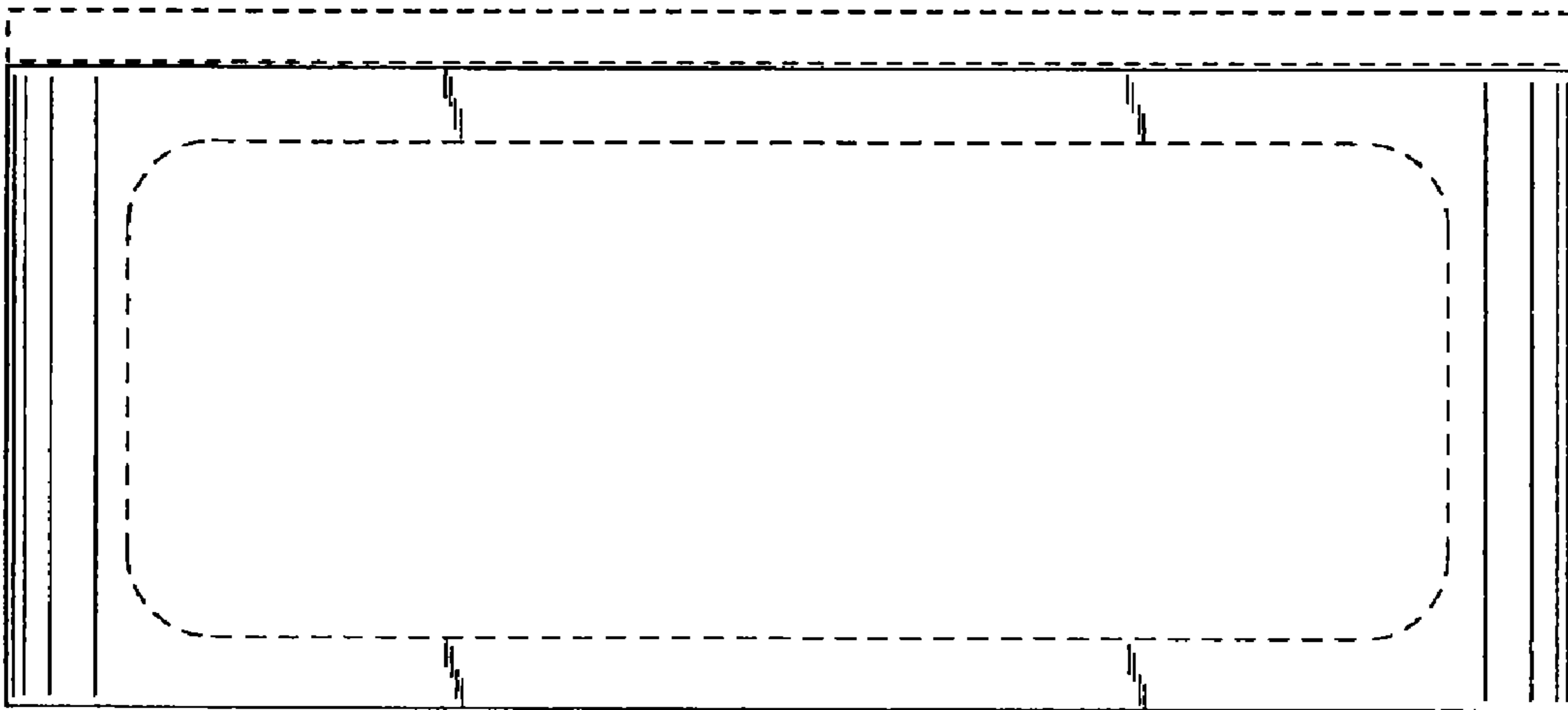


FIG. 6

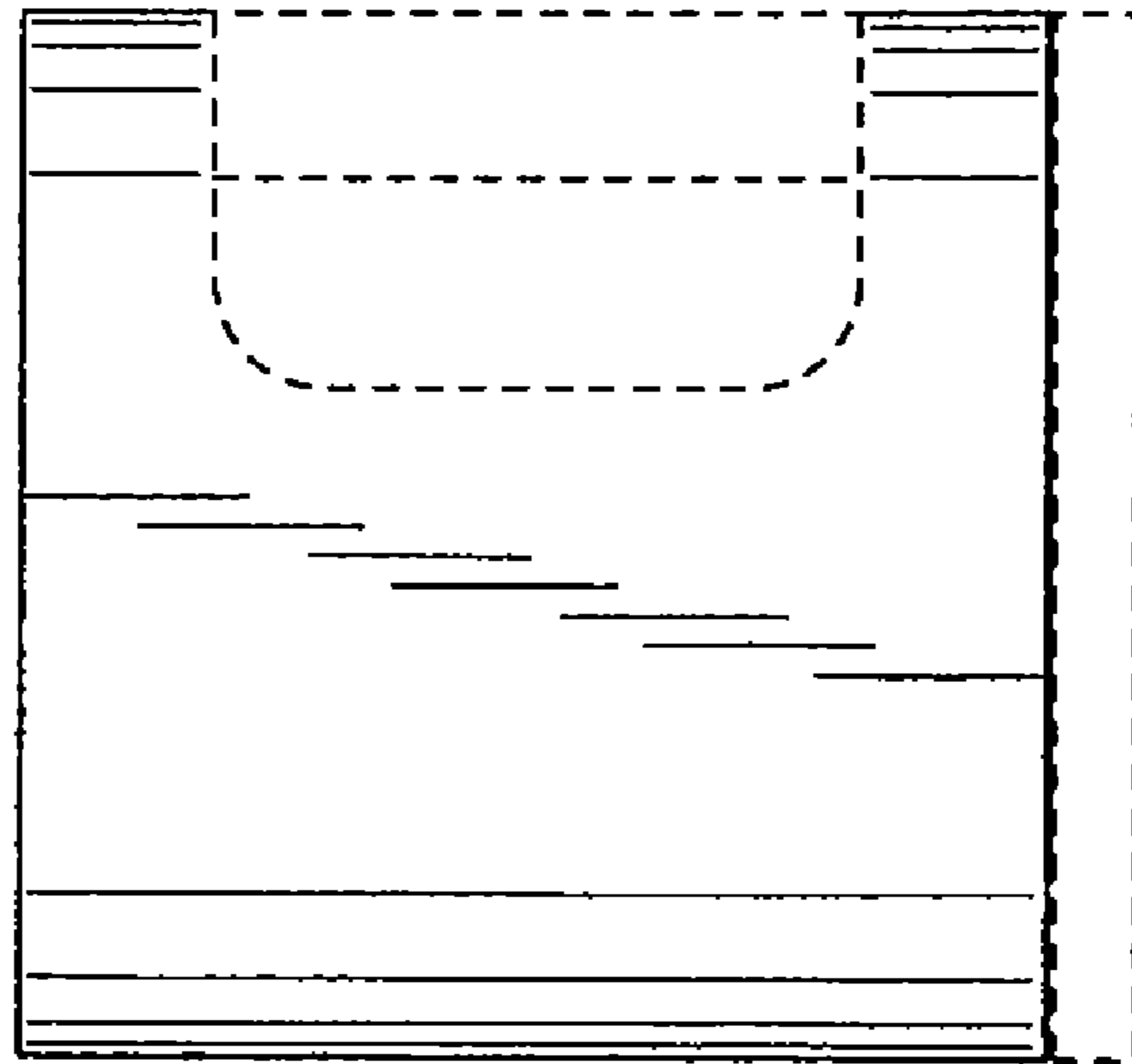


FIG. 7

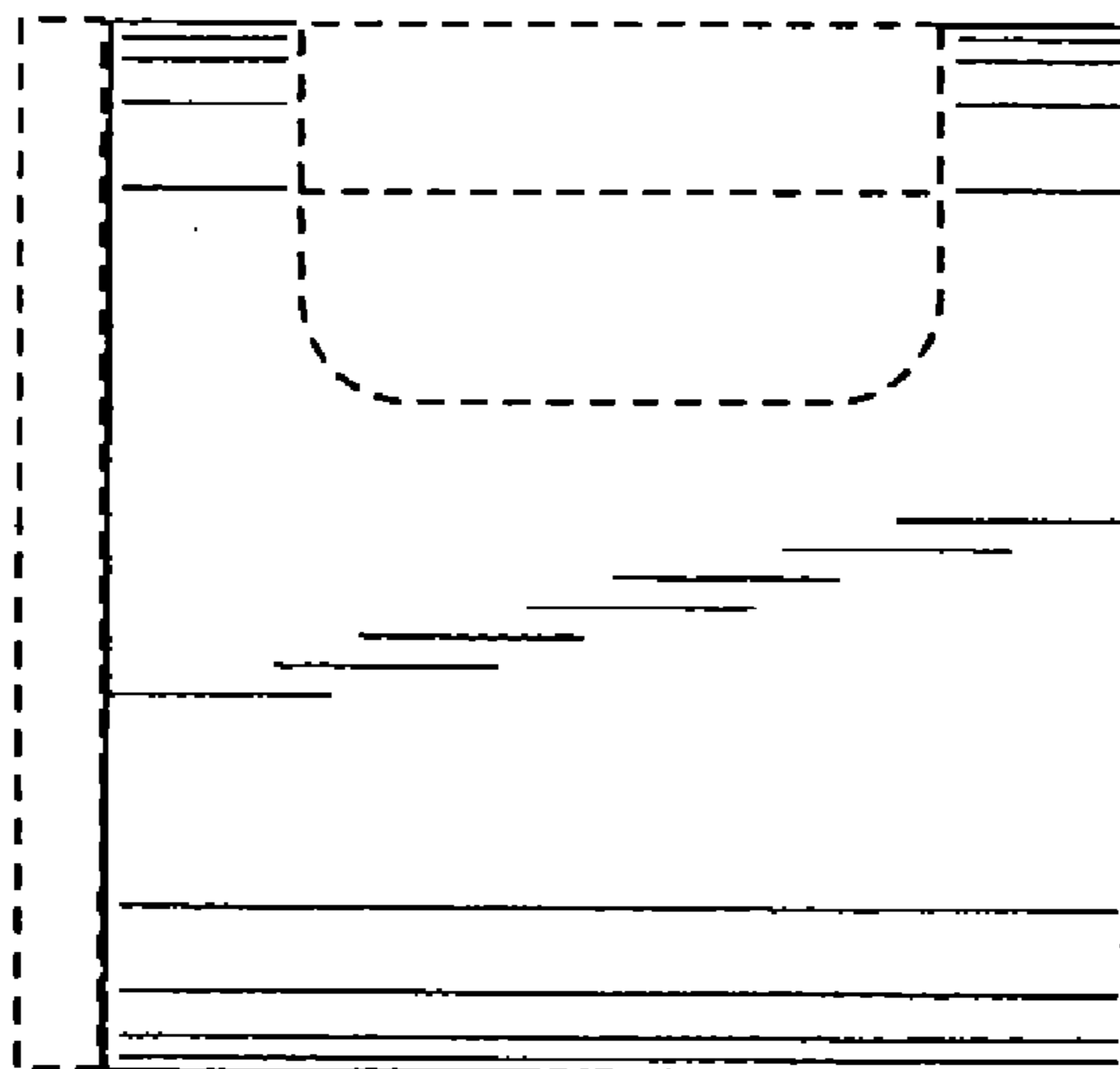


FIG. 8

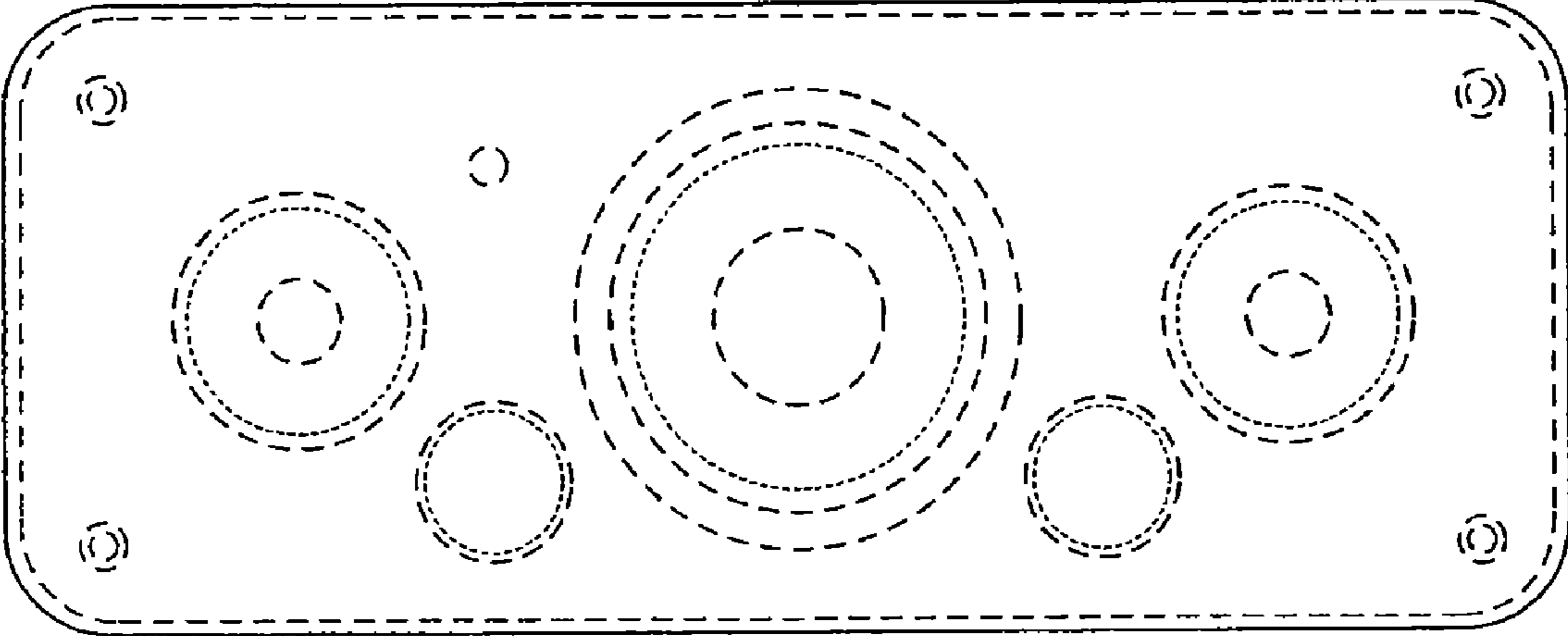


FIG. 9