



US00D580911S

(12) **United States Design Patent**  
**Andre et al.**

(10) **Patent No.:** **US D580,911 S**

(45) **Date of Patent:** **\*\* \*Nov. 18, 2008**

(54) **SPEAKER UNIT**

(75) Inventors: **Bartley K. Andre**, Menlo Park, CA (US); **Daniel J. Coster**, San Francisco, CA (US); **Daniele De Iuliis**, San Francisco, CA (US); **Richard P. Howarth**, San Francisco, CA (US); **Jonathan P. Ive**, San Francisco, CA (US); **Steve Jobs**, Palo Alto, CA (US); **Duncan Robert Kerr**, San Francisco, CA (US); **Shin Nishibori**, San Francisco, CA (US); **Matthew Dean Rohrbach**, San Francisco, CA (US); **Douglas B. Satzger**, Menlo Park, CA (US); **Calvin Q. Seid**, Palo Alto, CA (US); **Christopher J. Stringer**, Portola Valley, CA (US); **Eugene Antony Whang**, San Francisco, CA (US); **Rico Zorkendorfer**, San Francisco, CA (US)

(73) Assignee: **Apple Inc.**, Cupertino, CA (US)

(\*\*) Term: **14 Years**

(21) Appl. No.: **29/251,423**

(22) Filed: **Jan. 5, 2006**

**Related U.S. Application Data**

(63) Continuation of application No. 29/240,183, filed on Oct. 7, 2005, now Pat. No. Des. 560,656.

(51) **LOC (8) Cl.** ..... **14-01**

(52) **U.S. Cl.** ..... **D14/214**

(58) **Field of Classification Search** ..... D14/142, D14/149, 214, 217, 251, 432, 434, 435, 447, D14/496; D13/107, 108, 118; 248/107, 248/110, 113-115; 361/600, 679, 683, 686; 439/529, 534; 455/556.1, 556.2, 557

See application file for complete search history.

(56) **References Cited**

U.S. PATENT DOCUMENTS

D385,530 S \* 10/1997 Hames et al. .... D13/107

(Continued)

OTHER PUBLICATIONS

Andre et al. U.S. Appl. No. 29/237,111 entitled "Dock Insert" filed Aug. 24, 2005.

(Continued)

*Primary Examiner*—Nanda Bondade

(74) *Attorney, Agent, or Firm*—Sterne, Kessler, Goldstein & Fox, PLLC

(57) **CLAIM**

We claim the ornamental design for a speaker unit, substantially as shown and described.

**DESCRIPTION**

This application is also related to U.S. Design patent application No. 29/237,084, filed Aug. 24, 2005 and entitled "Docking Station" now U.S. Pat. No. D558,738.

FIG. 1 is a front perspective view of a speaker unit in accordance with the present design.

FIG. 2 is a rear perspective view thereof;

FIG. 3 is a front view thereof;

FIG. 4 is a rear view thereof;

FIG. 5 is a top view thereof;

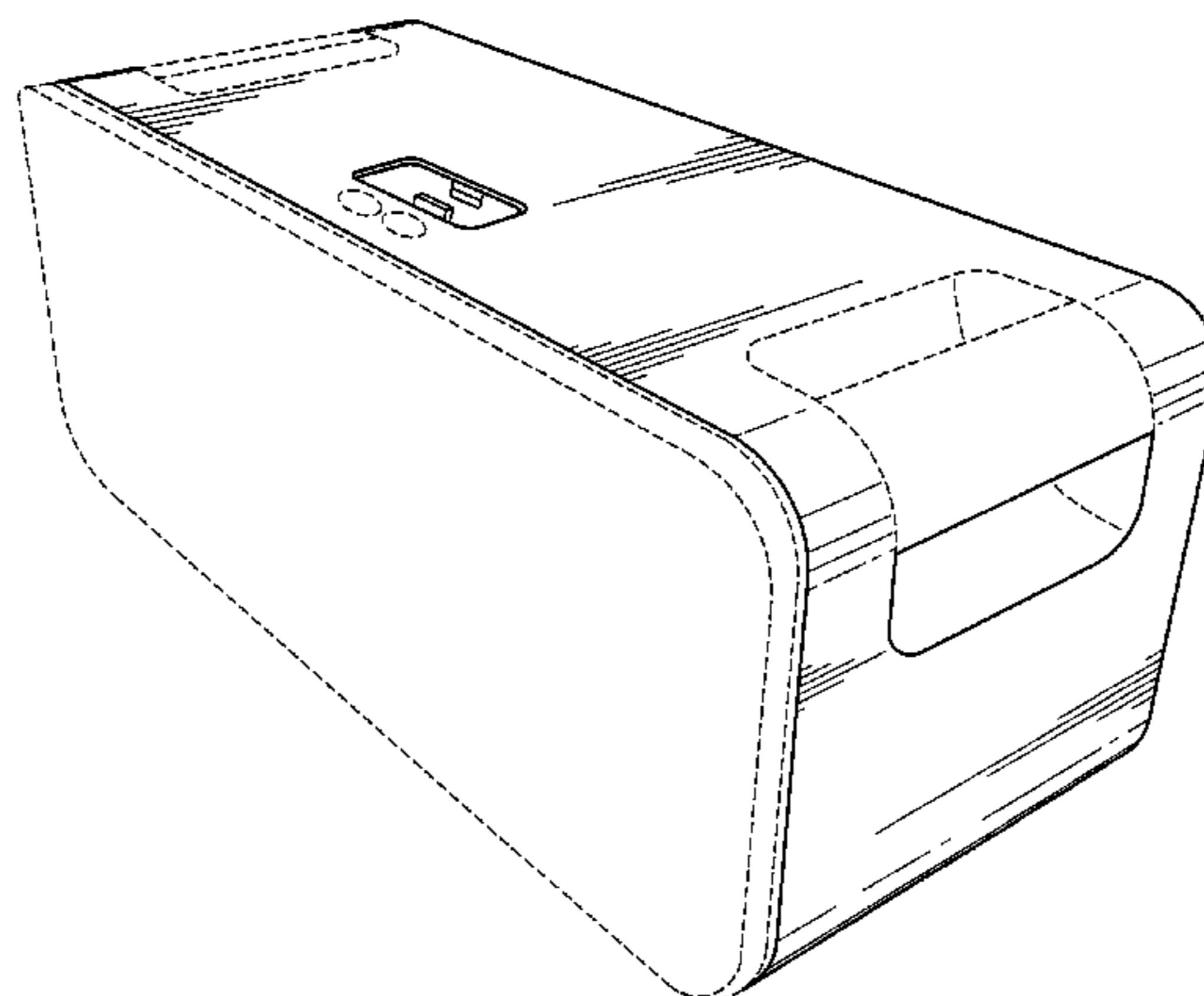
FIG. 6 is bottom view thereof;

FIG. 7 is a right side view thereof; and,

FIG. 8 is a left side view thereof.

The broken lines in the Figures including the interior of the recesses on the sides of the speaker unit, are included for the purpose of illustrating environmental structure only and form no part of the claimed design.

**1 Claim, 5 Drawing Sheets**



# US D580,911 S

Page 2

## U.S. PATENT DOCUMENTS

D395,047 S 6/1998 Segan et al.  
D397,996 S \* 9/1998 Smith ..... D13/168  
5,952,814 A \* 9/1999 Van Lerberghe ..... 320/108  
D442,939 S \* 5/2001 Goldenburg ..... D13/108  
6,591,085 B1 7/2003 Grady  
D508,689 S 8/2005 Schul et al.  
D510,091 S \* 9/2005 Mori et al. .... D14/434  
D514,090 S 1/2006 Carbone et al.  
7,075,579 B2 \* 7/2006 Whitby et al. .... 348/375  
D526,321 S \* 8/2006 Hayes et al. .... D14/435  
D530,717 S \* 10/2006 Mori et al. .... D14/434  
D532,005 S \* 11/2006 Leith ..... D14/253  
7,145,603 B2 \* 12/2006 Whitby et al. .... 348/375  
D535,614 S \* 1/2007 Majanen et al. .... D13/108  
2004/0162029 A1 8/2004 Grady

## OTHER PUBLICATIONS

Andre et al. U.S. Appl. No. 29/237,112 entitled "Dock Insert" filed Aug. 24, 2005.

Andre et al. U.S. Appl. No. 29/237,097 entitled "Dock Insert" filed Aug. 24, 2005.

Andre et al. U.S. Appl. No. 29/237,084 entitled "Docking Station Insert" Aug. 24, 2005.

Fadell et al. U.S. Appl. No. 10/423,490 entitled "Media Player System" filed Apr. 25, 2003.

U.S. Appl. No. 29/296,851, Andre et al., Speaker Unit, filed Oct. 30, 2007.

U.S. Appl. No. 29/296,896, Andre et al., Speaker Unit, filed Oct. 30, 2007.

"iPod Speakers," Apple.com (on line) (c) 2006, retrieved on Apr. 13, 2006, URL:<http://store.apple.com/1-800-MY-APPLE/WebObjects/AppleStore.woa/wo7.RSLID?pn=0&mco=251463A4&nclm=iPodSpeakers>, pp. 8.

\* cited by examiner

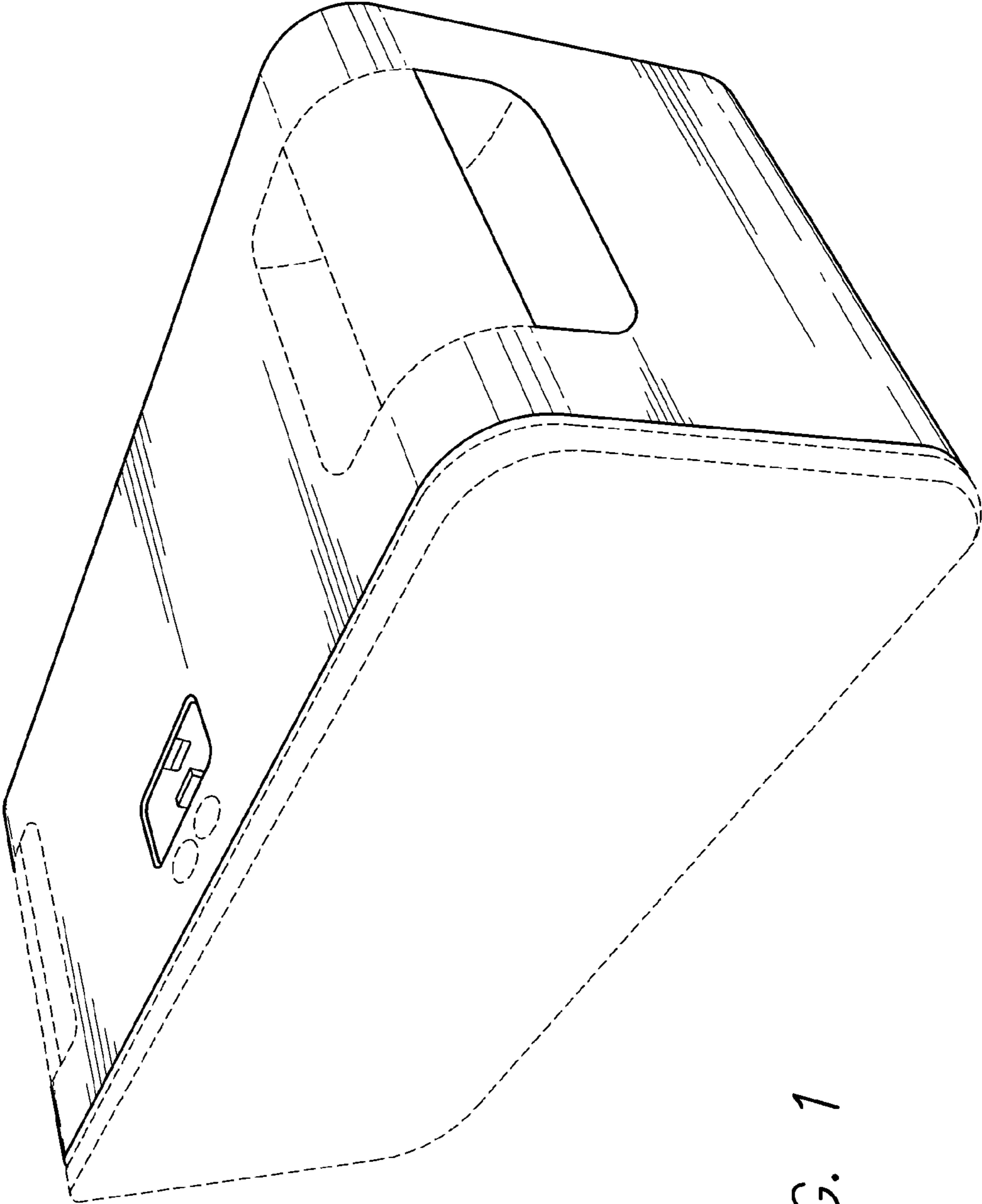


FIG. 1

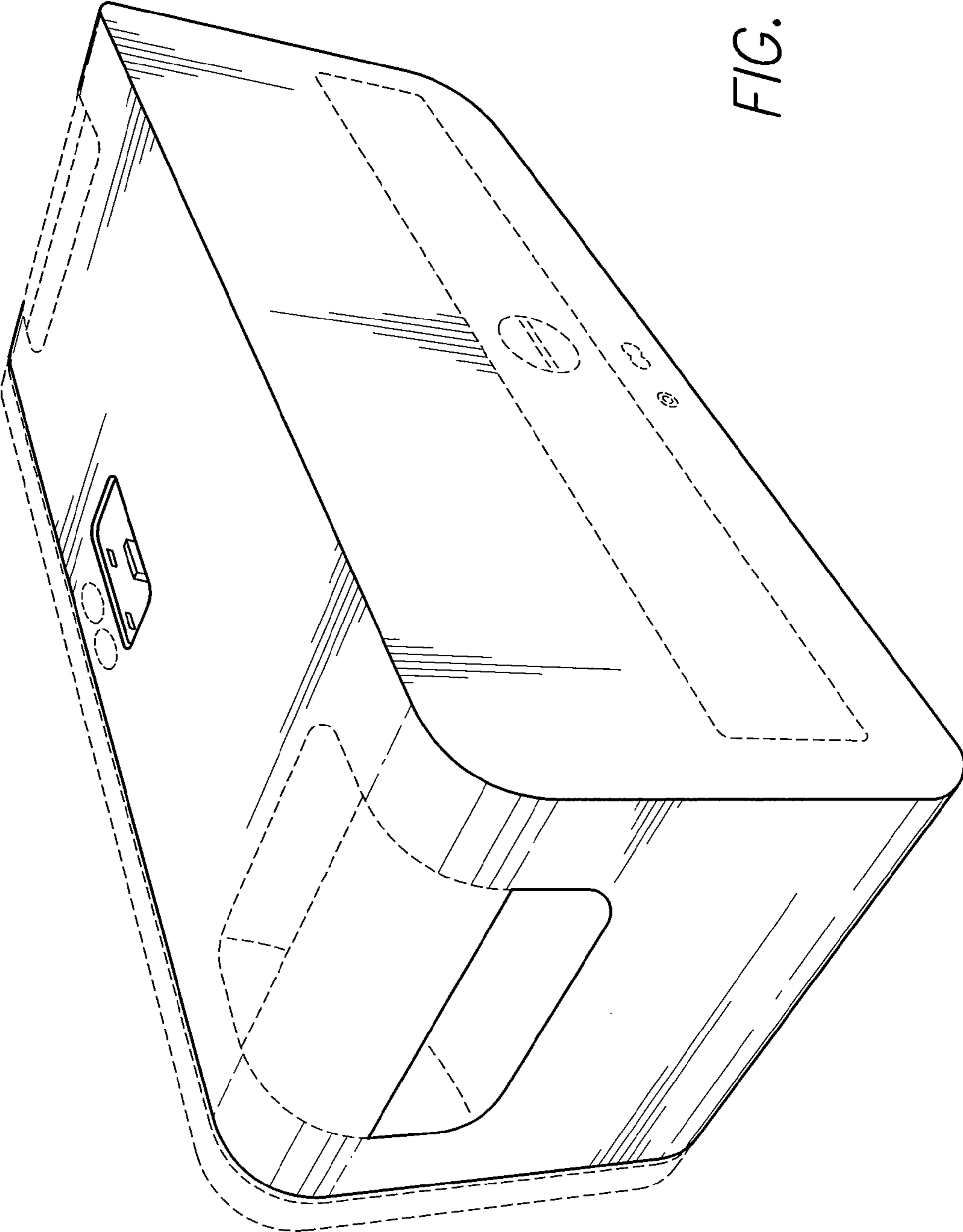
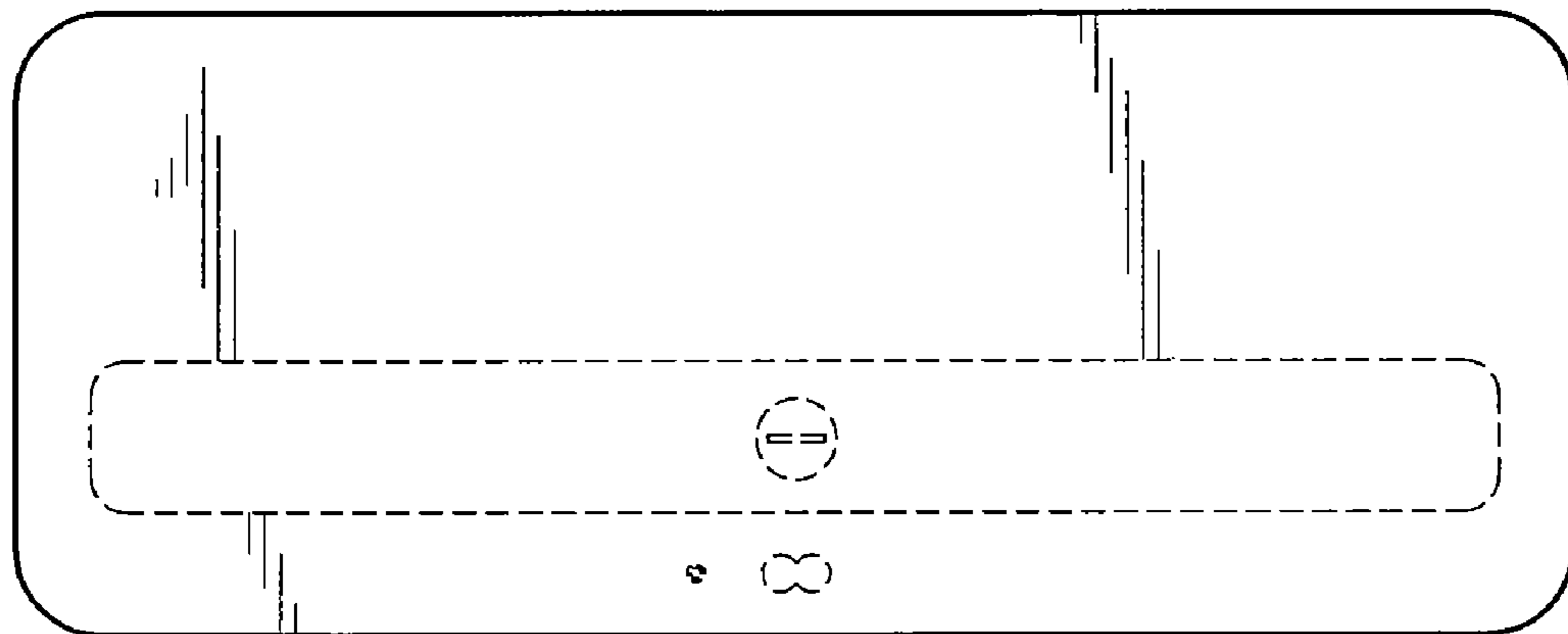


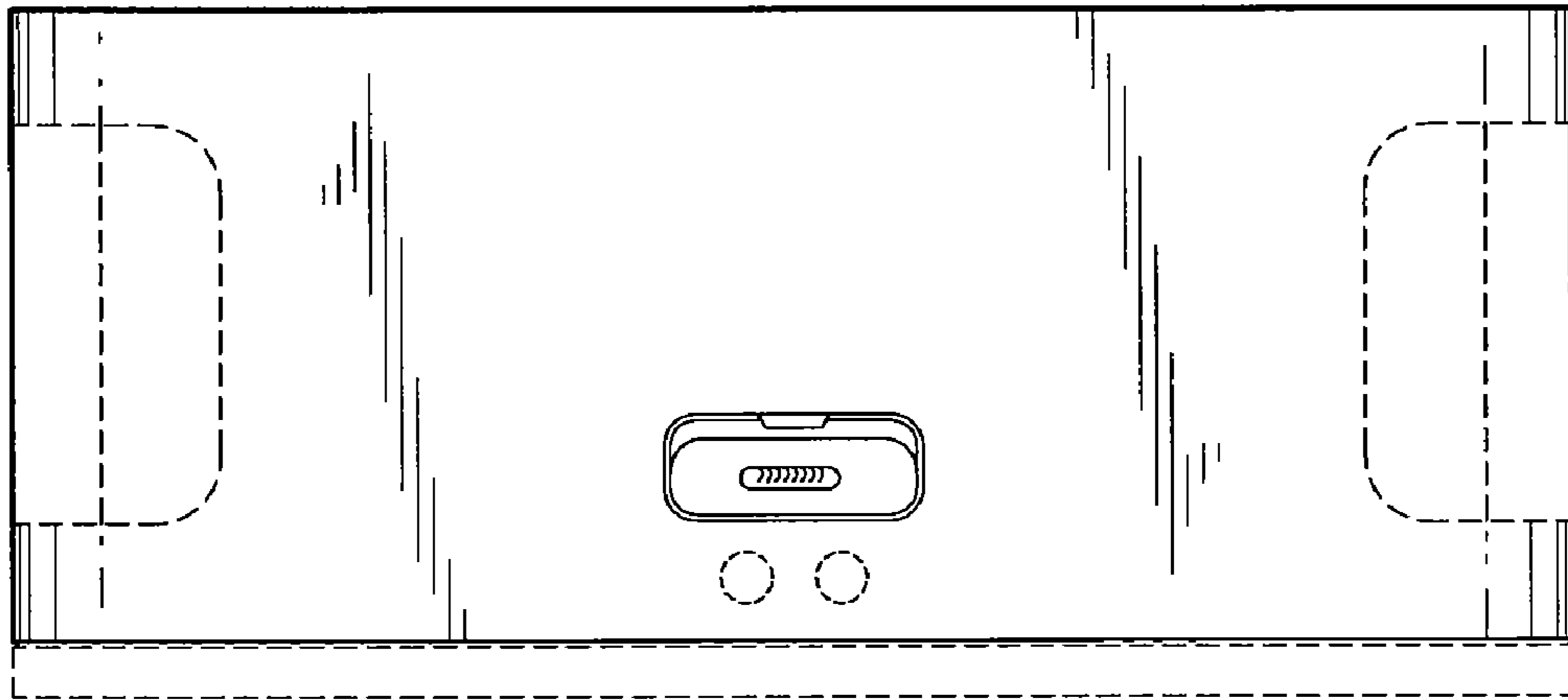
FIG. 2



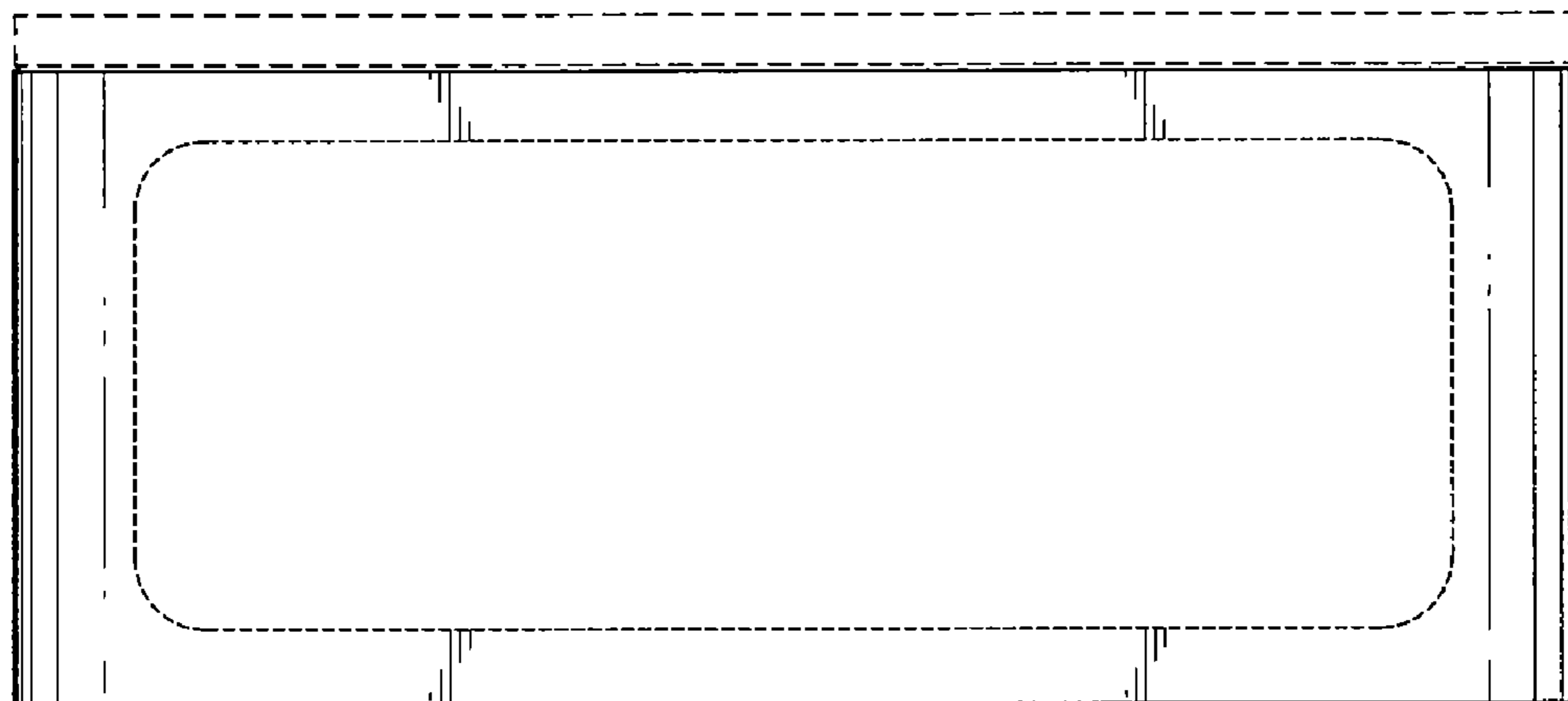
*FIG. 3*



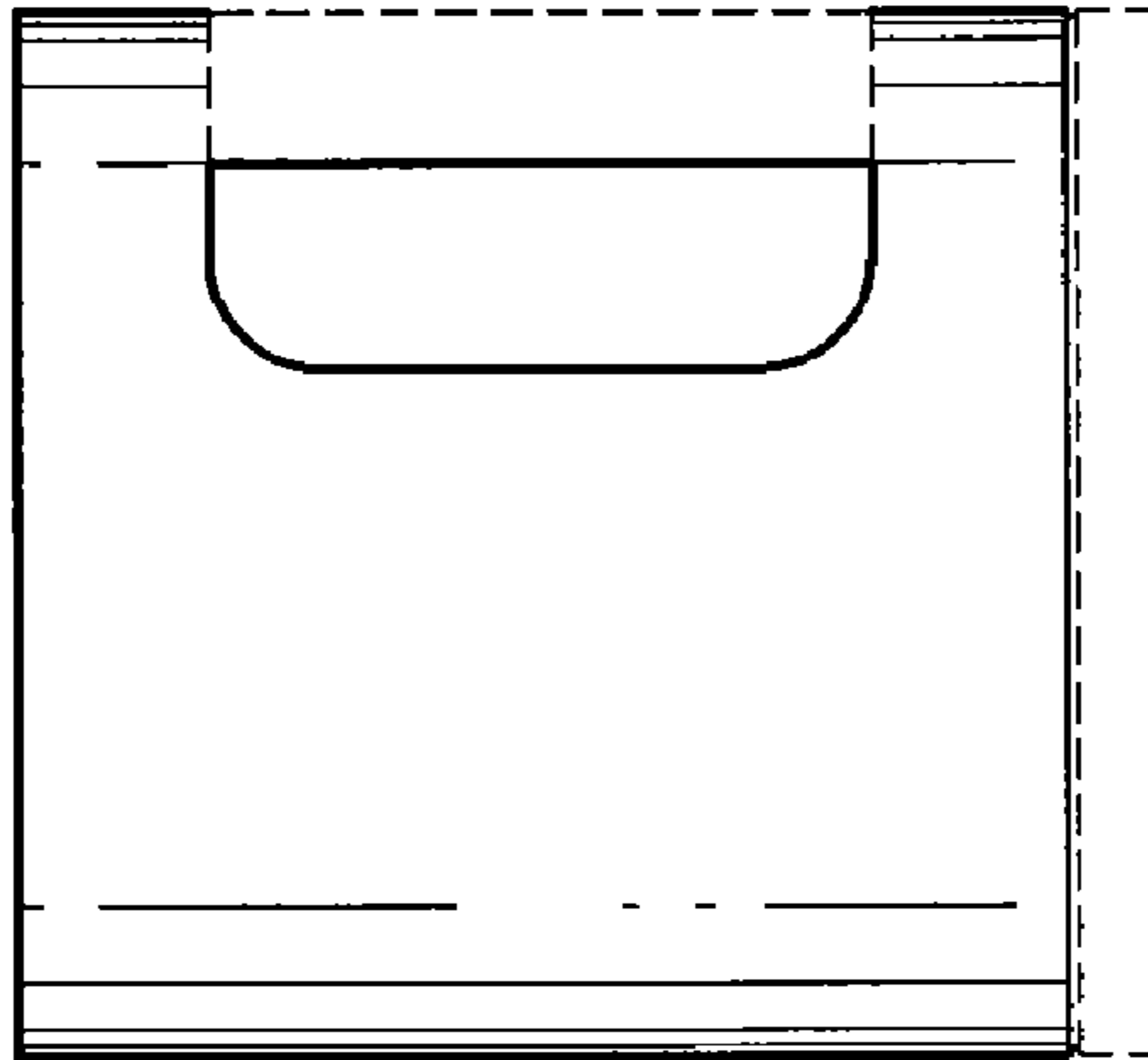
*FIG. 4*



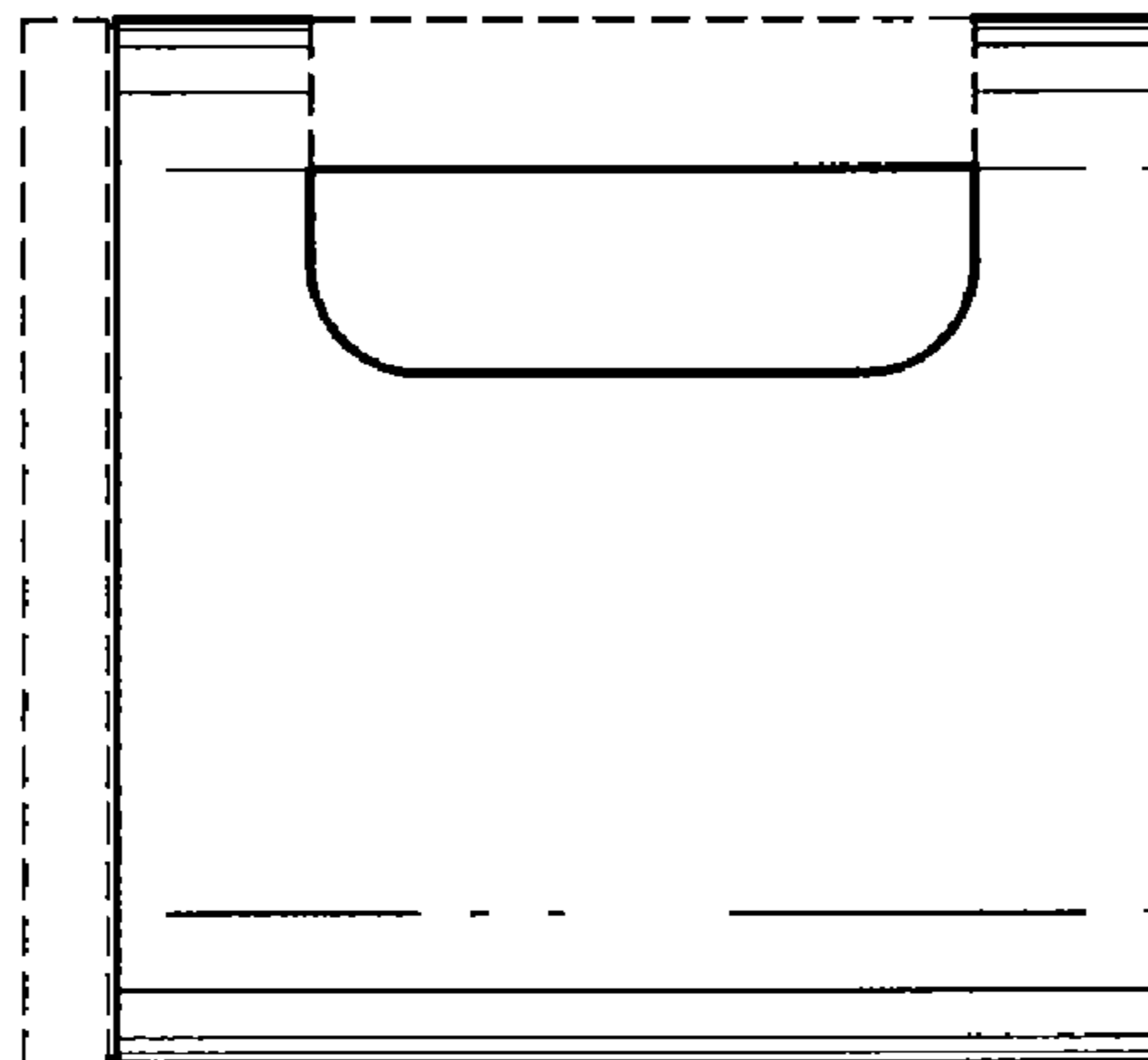
*FIG. 5*



*FIG. 6*



*FIG. 7*



*FIG. 8*