



US00D580910S

(12) **United States Design Patent**
Kim et al.

(10) **Patent No.:** **US D580,910 S**
(45) **Date of Patent:** **** Nov. 18, 2008**

(54) **EARSET**

(75) Inventors: **Young-Soo Kim**, Goyang-si (KR);
Joon-Suh Kim, Anyang-si (KR);
Gee-Hong Yoon, Seongnam-si (KR)

(73) Assignee: **Samsung Electronics Co., Ltd.**,
Suwon-Si (KR)

(**) Term: **14 Years**

(21) Appl. No.: **29/290,032**

(22) Filed: **Oct. 12, 2007**

(30) **Foreign Application Priority Data**

Jun. 27, 2007 (KR) 30-2007-0027773

(51) **LOC (8) Cl.** **14-01**

(52) **U.S. Cl.** **D14/205**

(58) **Field of Classification Search** D14/205,
D14/206, 223, 192, 142, 249, 228; 181/129,
181/130; 381/370, 376-381, 374, 151, 334,
381/385; 379/430, 433, 431

See application file for complete search history.

(56) **References Cited**

U.S. PATENT DOCUMENTS

D237,090 S * 10/1975 Yanagawa D14/205
4,020,297 A * 4/1977 Brodie 379/430
D321,881 S * 11/1991 Hopewell D14/192
D350,961 S * 9/1994 Nakamura D14/205
D403,327 S * 12/1998 Landreth et al. D14/223

D452,857 S * 1/2002 Hong D14/223
D462,944 S * 9/2002 Yuen D14/206
D470,123 S * 2/2003 Hlas et al. D14/205
D508,479 S * 8/2005 Okada D14/206
D542,282 S * 5/2007 Yoshiyama D14/223
D558,188 S * 12/2007 Ikeda et al. D14/223
D561,738 S * 2/2008 Ikeda et al. D14/205
D565,024 S * 3/2008 Kim et al. D14/205

* cited by examiner

Primary Examiner—Paula A Greene

(74) *Attorney, Agent, or Firm*—Staas & Halsey LLP

(57) **CLAIM**

The ornamental design for an earset, as shown and described.

DESCRIPTION

FIG. 1 is a perspective view of an earset;
FIG. 2 is a front view of the earset of FIG. 1;
FIG. 3 is a rear view of the earset of FIG. 1;
FIG. 4 is left-side of the earset of FIG. 1;
FIG. 5 is right-side of the earset of FIG. 1;
FIG. 6 is top plan view of the earset of FIG. 1;
FIG. 7 is bottom plan view of the earset of FIG. 1; and,
FIG. 8 is perspective view of the earset of FIG. 1, displaying
how it is used on user's ear.

The broken lines in FIG. 8 are included for the purpose of
illustration and form no part of the claimed design.

1 Claim, 7 Drawing Sheets

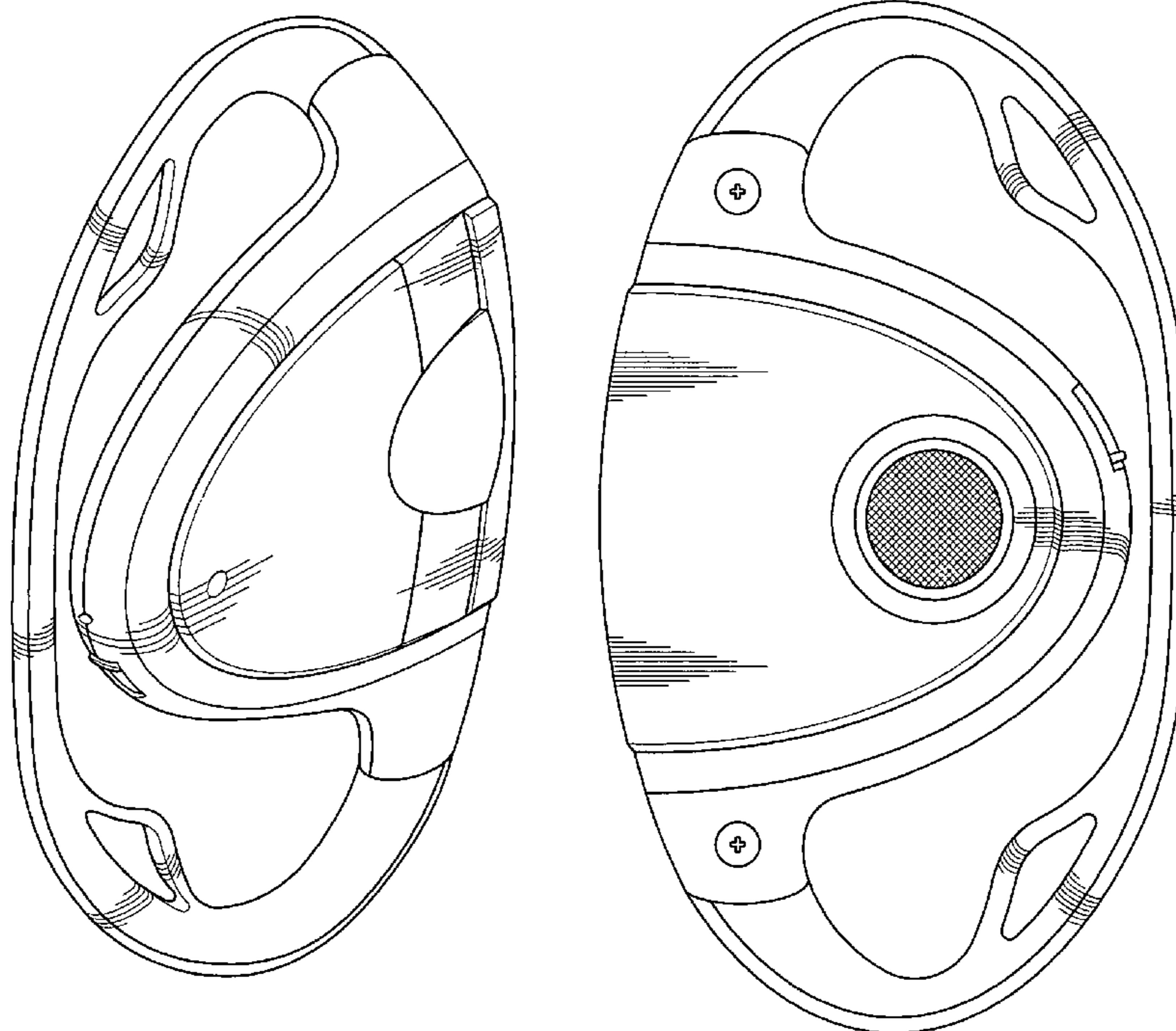


FIG. 1

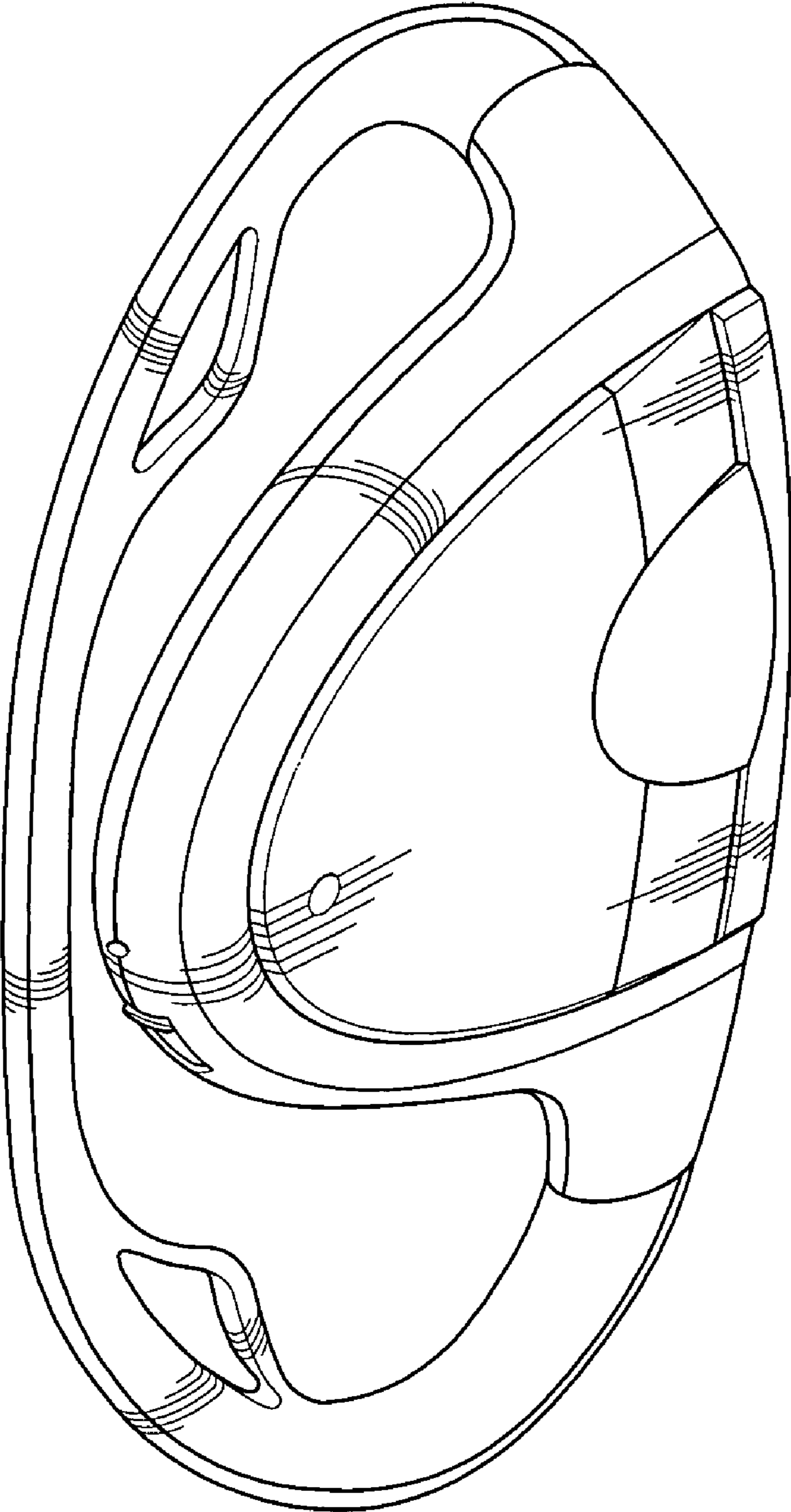


FIG. 2

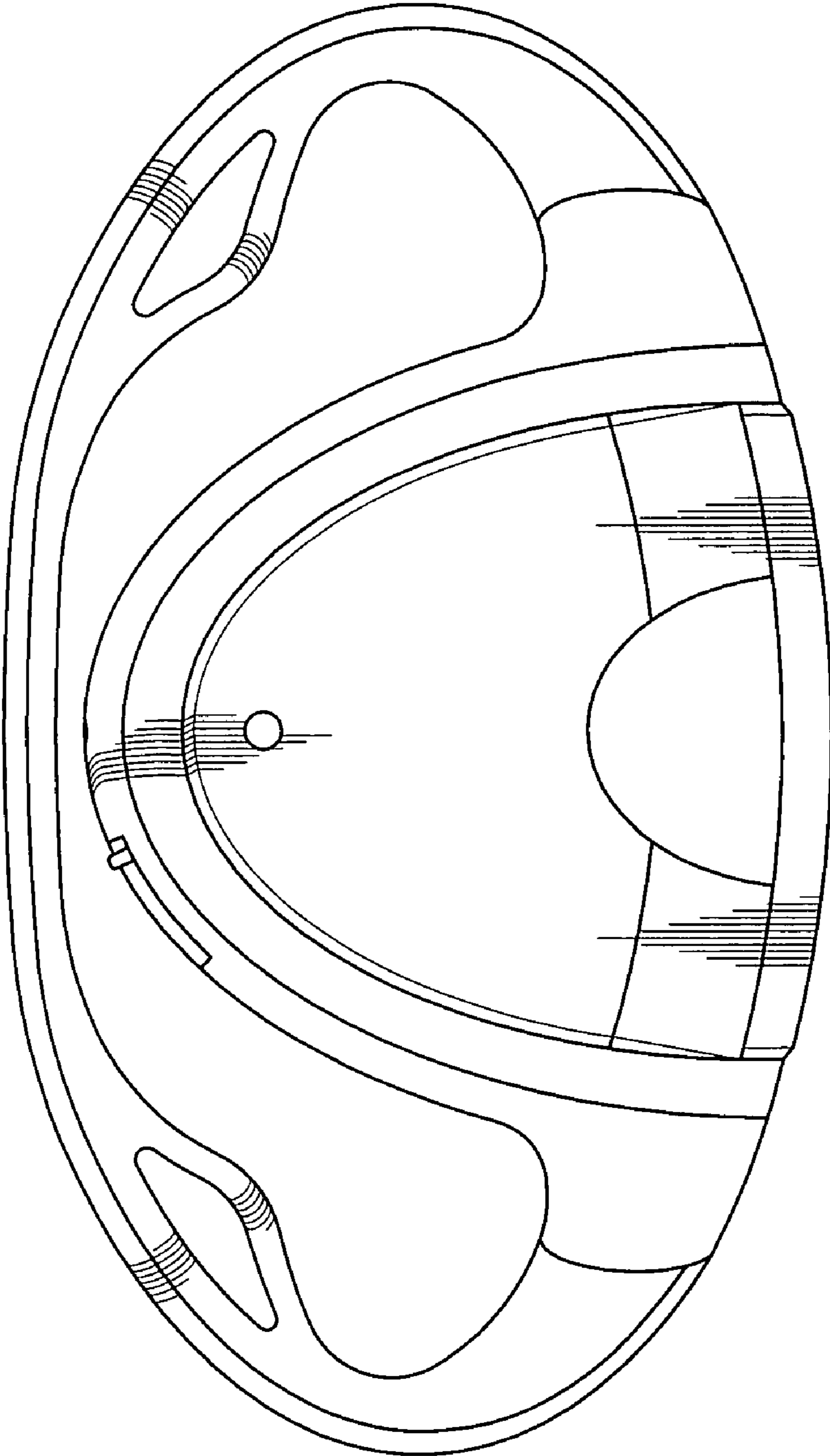


FIG. 3

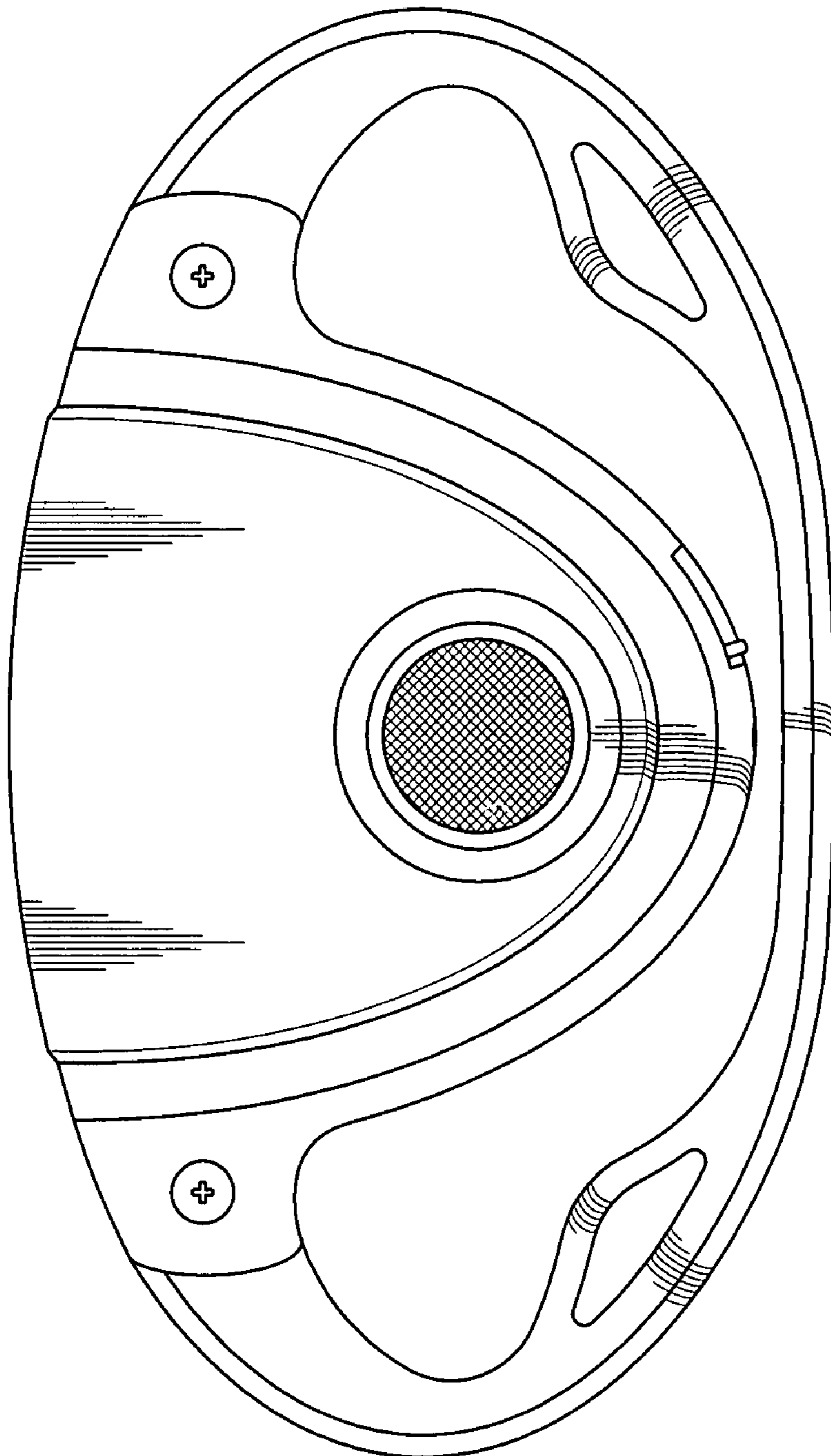


FIG. 4

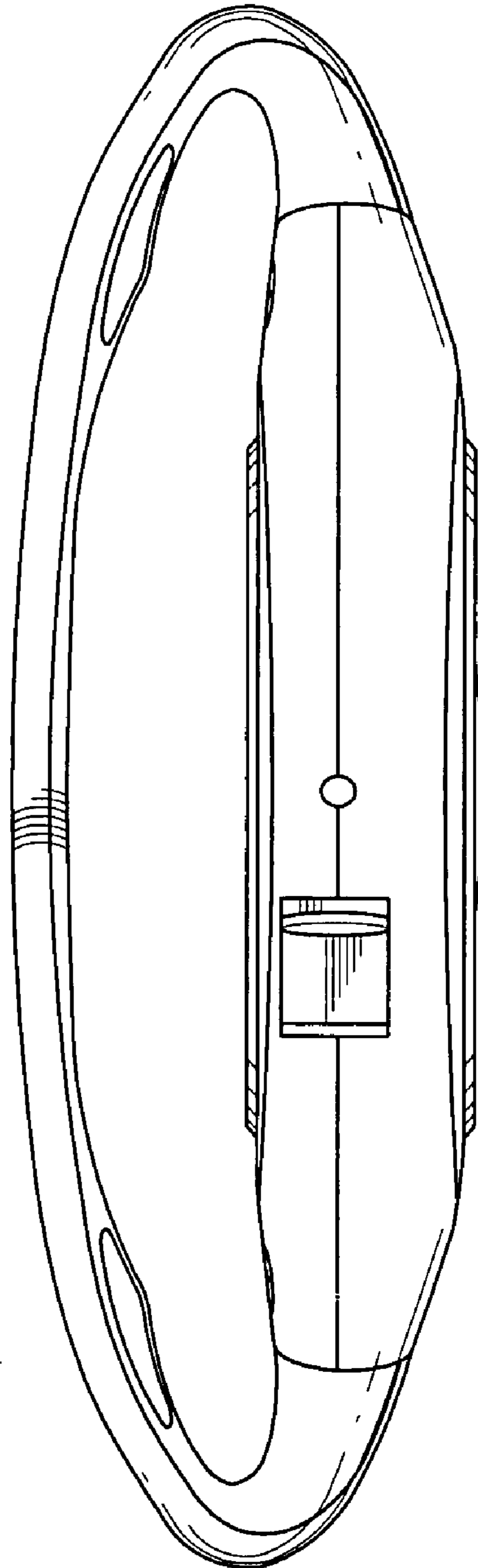


FIG. 5

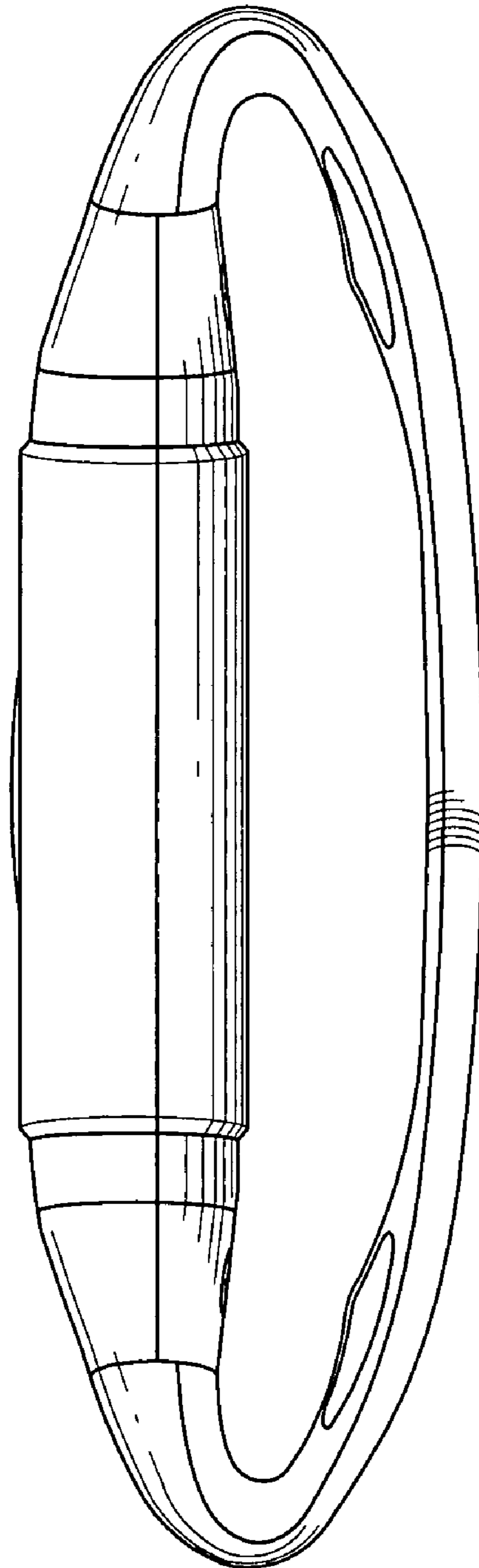


FIG. 6

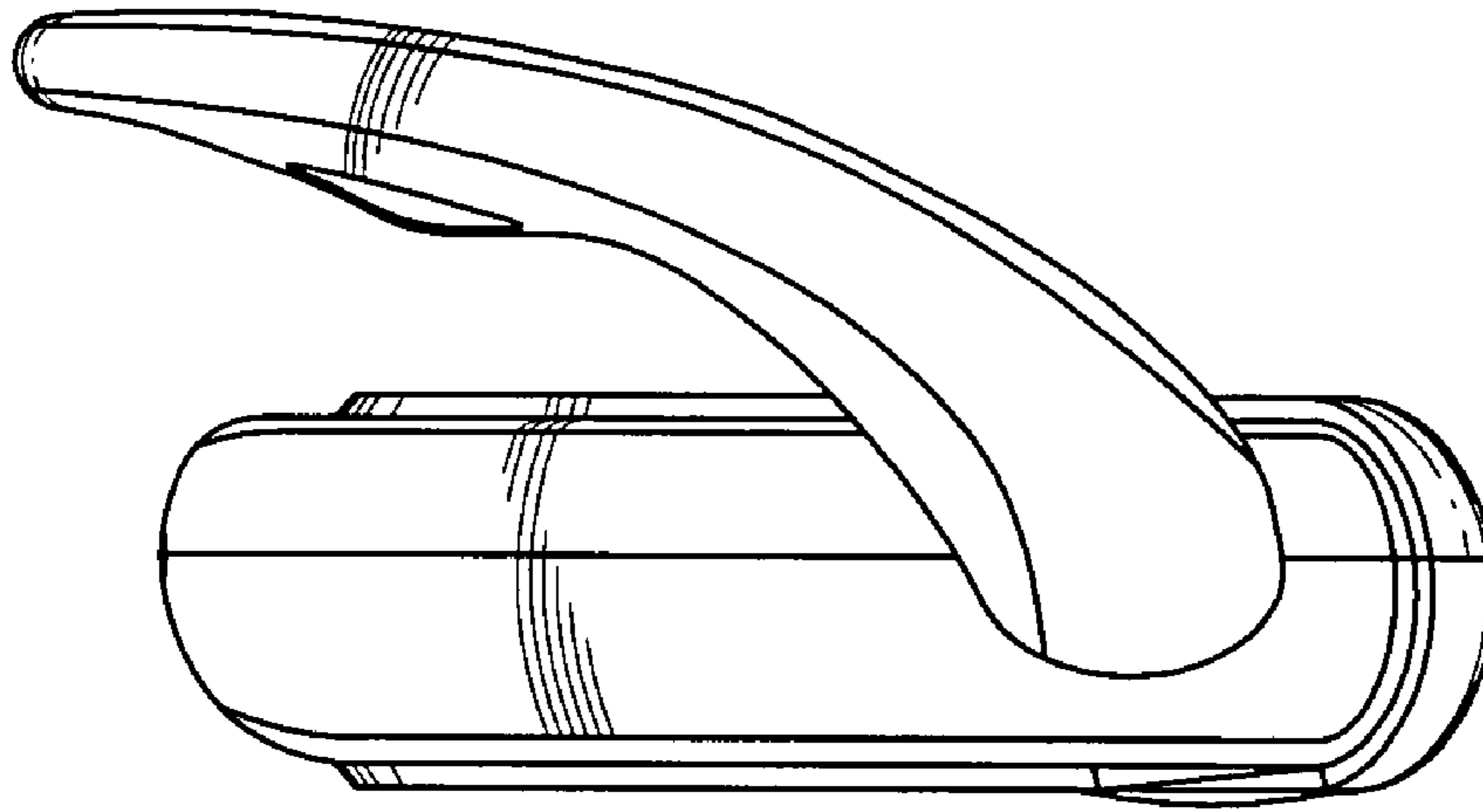


FIG. 7

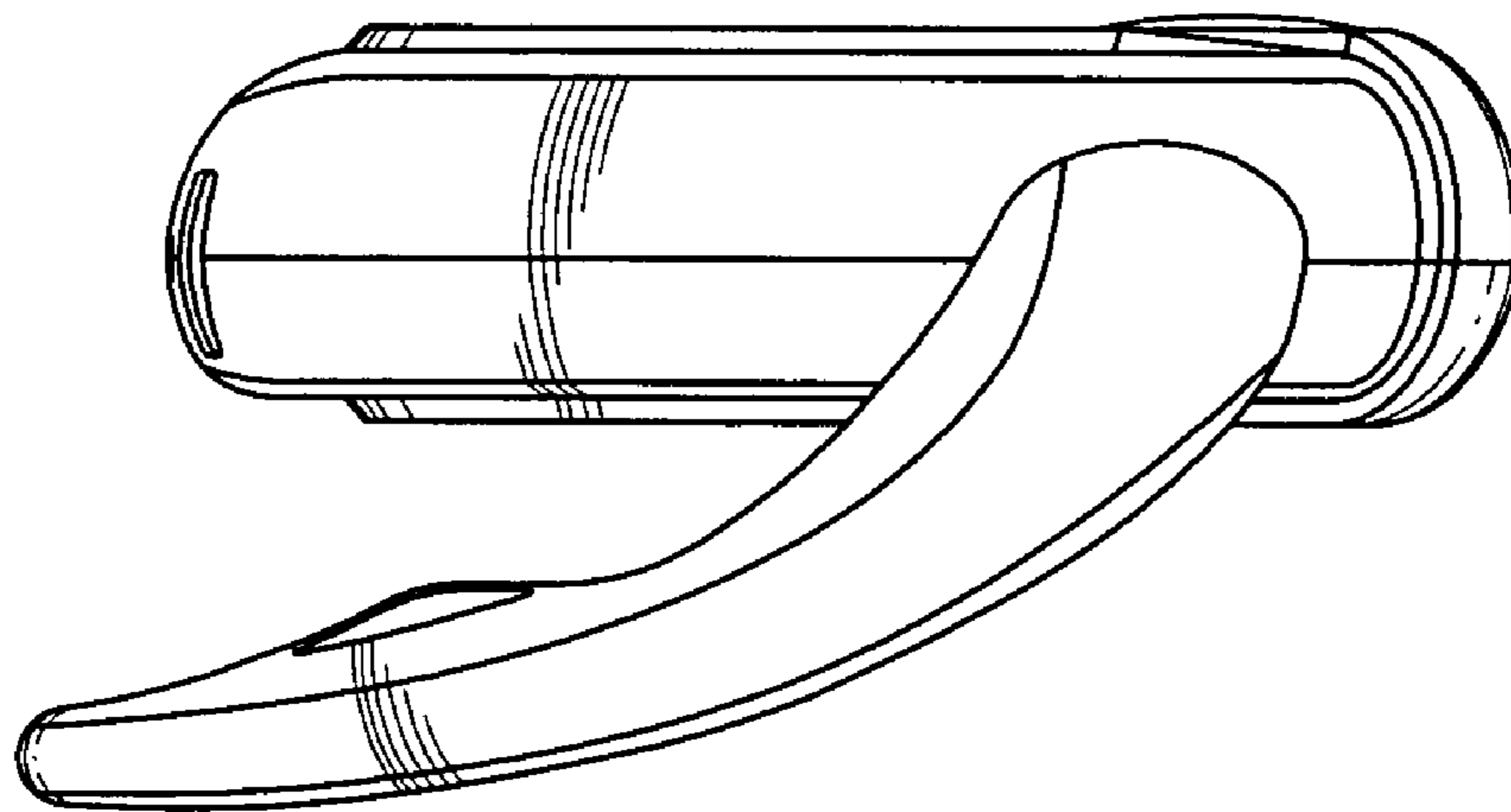


FIG. 8

