



US00D580902S

(12) **United States Design Patent**
Bolton et al.

(10) **Patent No.:** **US D580,902 S**
(45) **Date of Patent:** **** Nov. 18, 2008**

(54) **HANDSET**

2007/0294633 A1* 12/2007 Aarras et al. 715/781

(75) Inventors: **Charlie Bolton**, Surrey (GB); **Iain Pottie**, Berkshire (GB); **Anton Fahlgren**, Copenhagen (DK); **Sean Prior**, Surrey (GB)

FOREIGN PATENT DOCUMENTS

WO DM/067919 * 5/2006
WO DM/069167 * 7/2007

(73) Assignee: **Nokia Corporation**, Espoo (FI)

OTHER PUBLICATIONS

(**) Term: **14 Years**

Philips 768, announced 4Q 2005, <URL:http://www.gsmarena.com/philips_768-pictures-1386.php>, retrieved from internet Apr. 18, 2008.*

(21) Appl. No.: **29/282,672**

Samsung X700, announced 2Q 2005, <URL:http://www.gsmarena.com/samsung_x700-pictures-1298.php>, retrieved from internet Apr. 18, 2008.*

(22) Filed: **Jul. 26, 2007**

Nokia Model # 1112, Nokia Corporation, 5 color sheets of photographs, disclosed on or about Mar. 2006.

(30) **Foreign Application Priority Data**

(Continued)

Jan. 26, 2007 (FI) M20070023

Primary Examiner—Ian Simmons

(51) **LOC (8) Cl.** **14-03**

Assistant Examiner—Carla Wright

(52) **U.S. Cl.** **D14/138**

(74) *Attorney, Agent, or Firm*—Banner & Witcoff, Ltd.

(58) **Field of Classification Search** D14/137–138, D14/147–148, 156, 218, 247–248, 341–347, D14/390, 399, 455–456, 496; D16/208; D21/329, 331, 333, 517; 348/14.01–14.02; 361/814; 379/433.01–433.13; 455/90.3, 455/556.1–556.2, 566, 575.1, 575.3, 575.4; D13/164, 168; 439/165; 343/702

(57) **CLAIM**

See application file for complete search history.

The ornamental design for a handset, as shown and described.

DESCRIPTION

(56) **References Cited**

U.S. PATENT DOCUMENTS

6,438,229 B1 * 8/2002 Overy et al. 379/446
D525,229 S * 7/2006 Friesen et al. D14/138
D536,681 S * 2/2007 Surtouc D14/130
D538,252 S * 3/2007 Joung D14/138
D539,257 S * 3/2007 Obata et al. D14/138
D540,773 S * 4/2007 Meng et al. D14/138
D545,800 S * 7/2007 Ou et al. D14/138
D546,314 S * 7/2007 Im D14/138
D549,208 S * 8/2007 Huang et al. D14/138
D558,179 S * 12/2007 Hansen D14/138
D558,707 S * 1/2008 Travis et al. D14/138
D563,379 S * 3/2008 Mai et al. D14/138

FIG. 1 is a bottom plan view of a handset showing our new design;

FIG. 2 is a right side view thereof;

FIG. 3 is a front view thereof;

FIG. 4 is a left side view thereof;

FIG. 5 is a top plan view thereof;

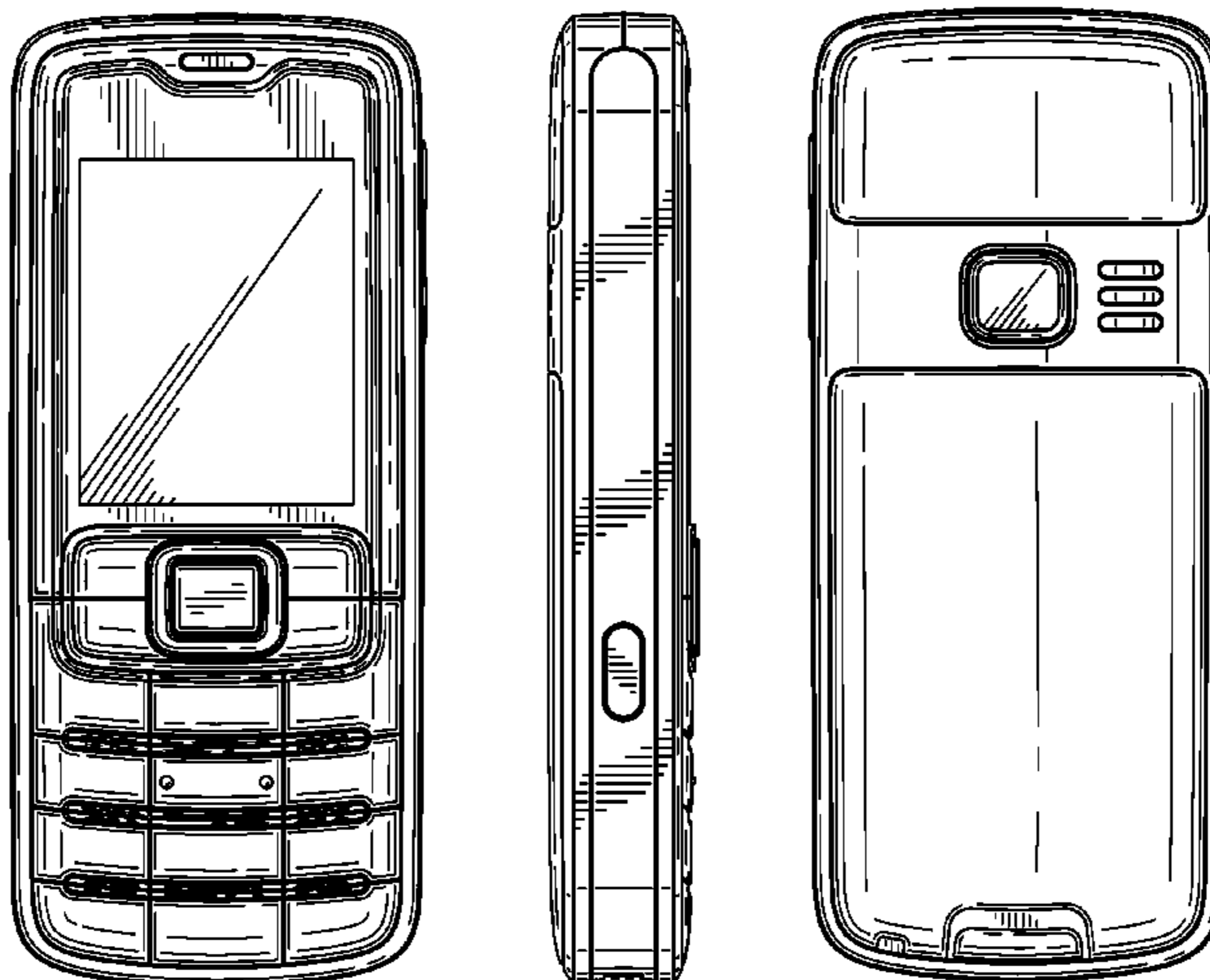
FIG. 6 is a rear view thereof;

FIG. 7 is a perspective front view thereof; and,

FIG. 8 is a perspective rear view thereof.

The broken line showing of environmental structures is for illustrative purposes only and forms no part of the claimed design.

1 Claim, 3 Drawing Sheets



OTHER PUBLICATIONS

Nokia Model # 2630, Nokia Corporation, 1 color sheet of photographs, disclosed on or about May 2007.

Nokia Model # 3109 classic, Nokia Corporation, 1 color sheet of photographs, disclosed on or about May 2007.

Nokia Model # 3110 classic, Nokia Corporation, 1 color sheet of photographs, disclosed on or about Feb. 2007.

Nokia Model # 5070, Nokia Corporation, 2 color sheets of photographs, disclosed on or about Mar. 2007.

Nokia Model # 5310, Nokia Corporation, 2 color sheets of photographs, disclosed on or about Aug. 2007.

Nokia Model # 5700, Nokia Corporation, 2 color sheets of photographs, disclosed on or about Mar. 2007.

Nokia Model # 6070, Nokia Corporation, 3 color sheets of photographs, disclosed on or about Feb. 2006.

Nokia Model # 6120, Nokia Corporation, 1 color sheet of photographs, disclosed on or about Apr. 2007.

Nokia Model # 6151, Nokia Corporation, 1 color sheet of photographs, disclosed on or about Jun. 2006.

Nokia Model # 7360, Nokia Corporation, 4 color sheets of photographs, disclosed on or about Oct. 2005.

Nokia Model # N72, Nokia Corporation, 2 color sheets of photographs, disclosed on or about Apr. 2006.

Nokia Model # N95, Nokia Corporation, 7 color sheets of photographs, disclosed on or about Sep. 2006.

* cited by examiner

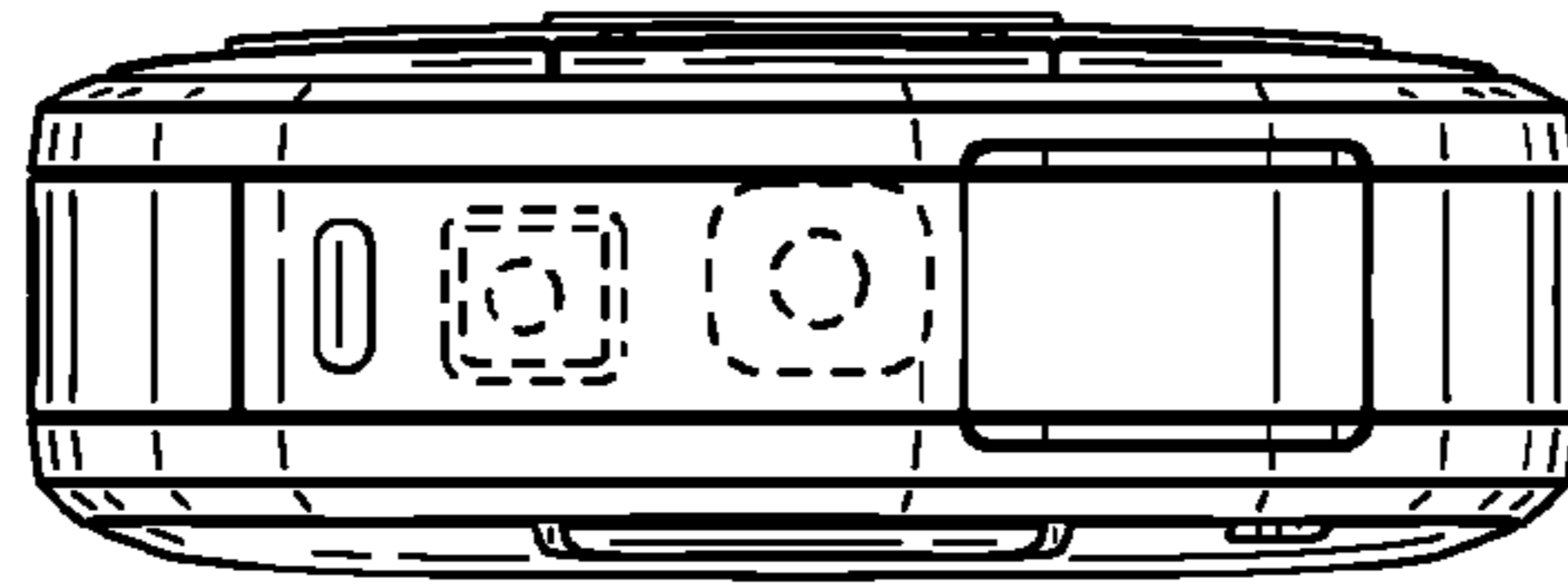


FIG. 1

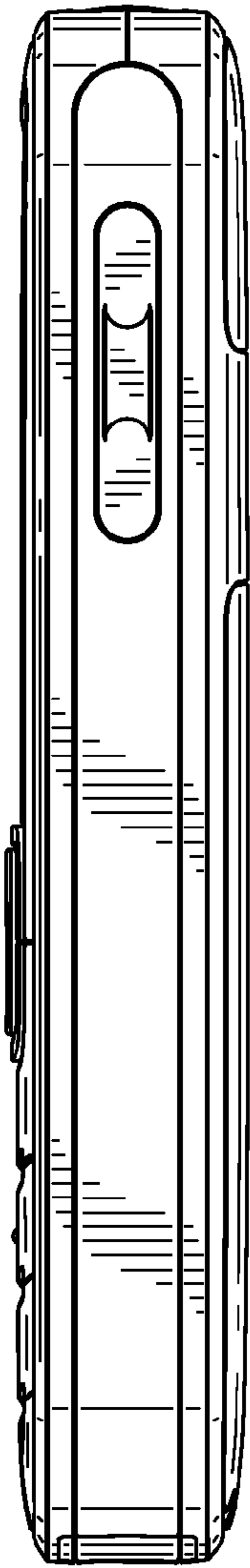


FIG. 2

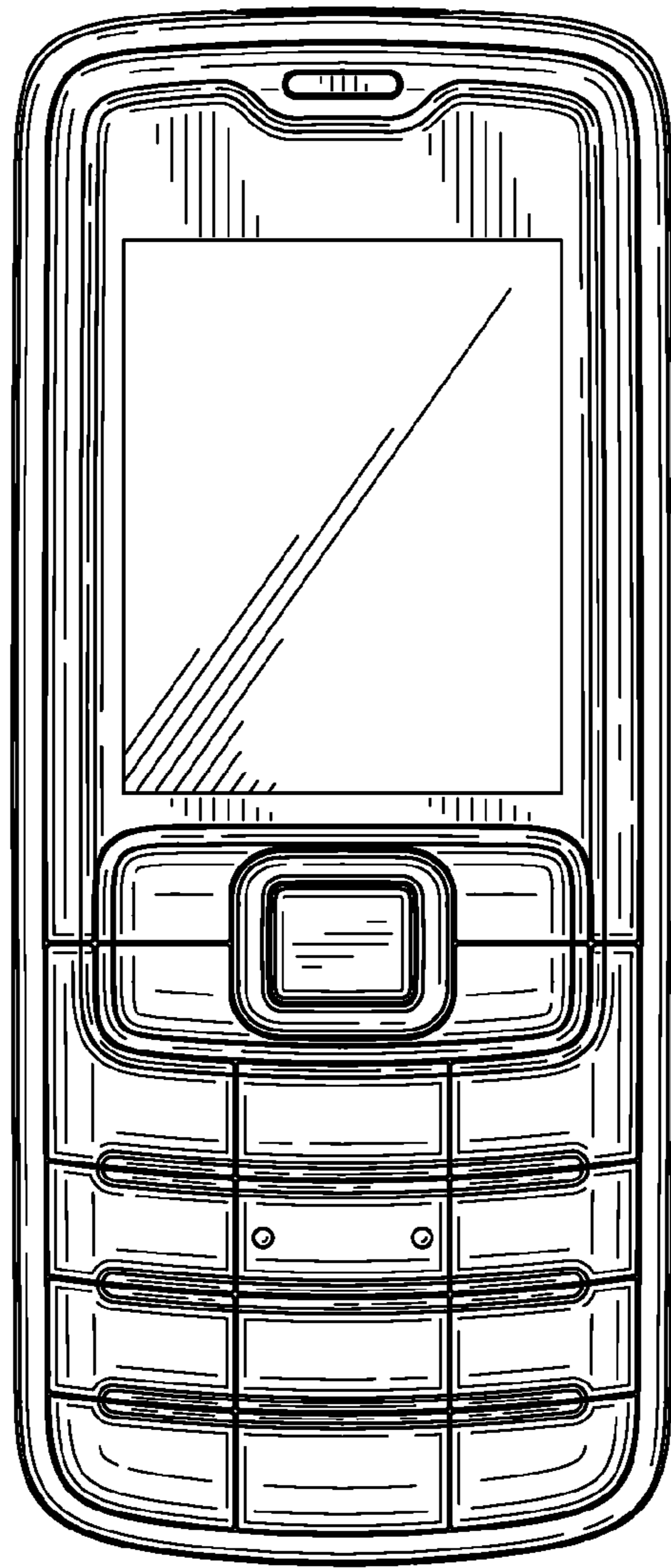


FIG. 3

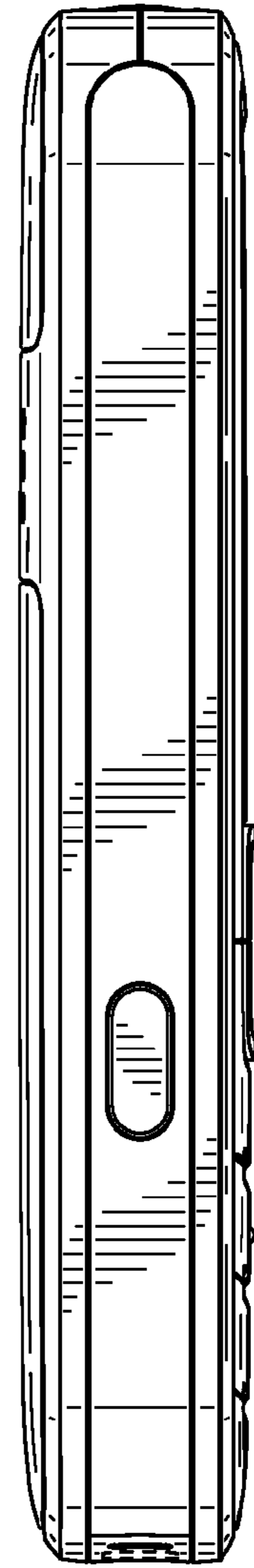


FIG. 4

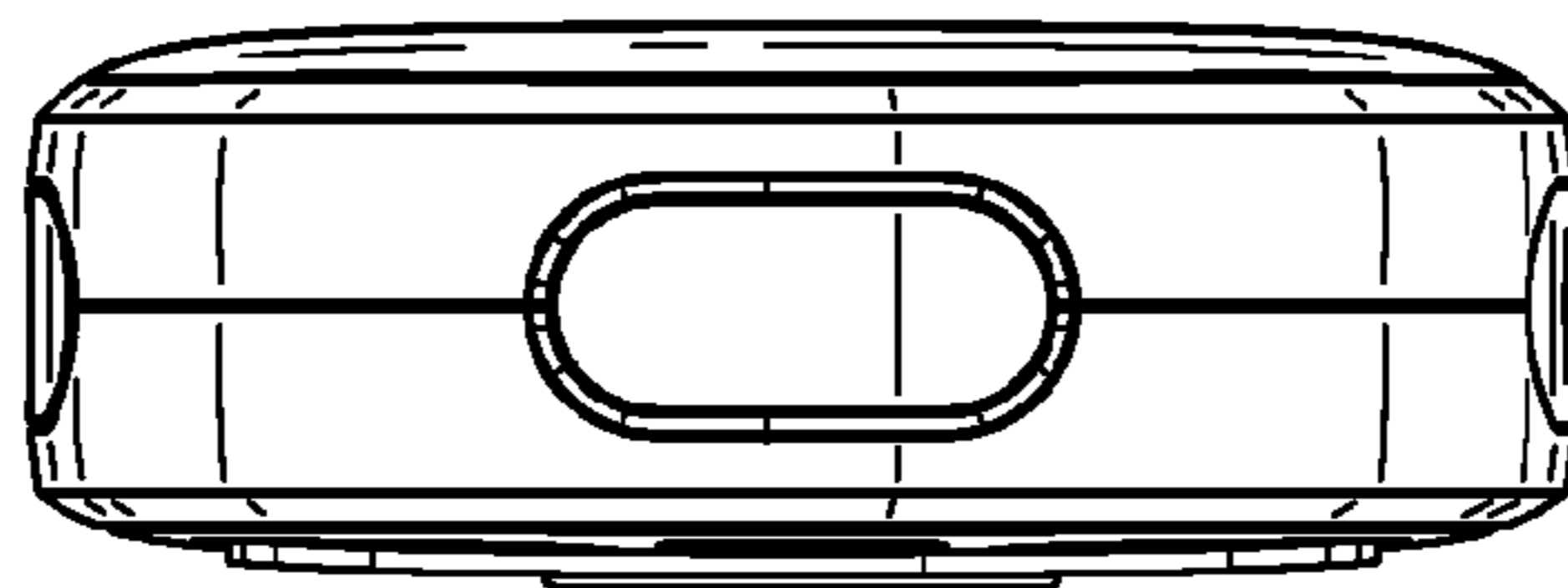


FIG. 5

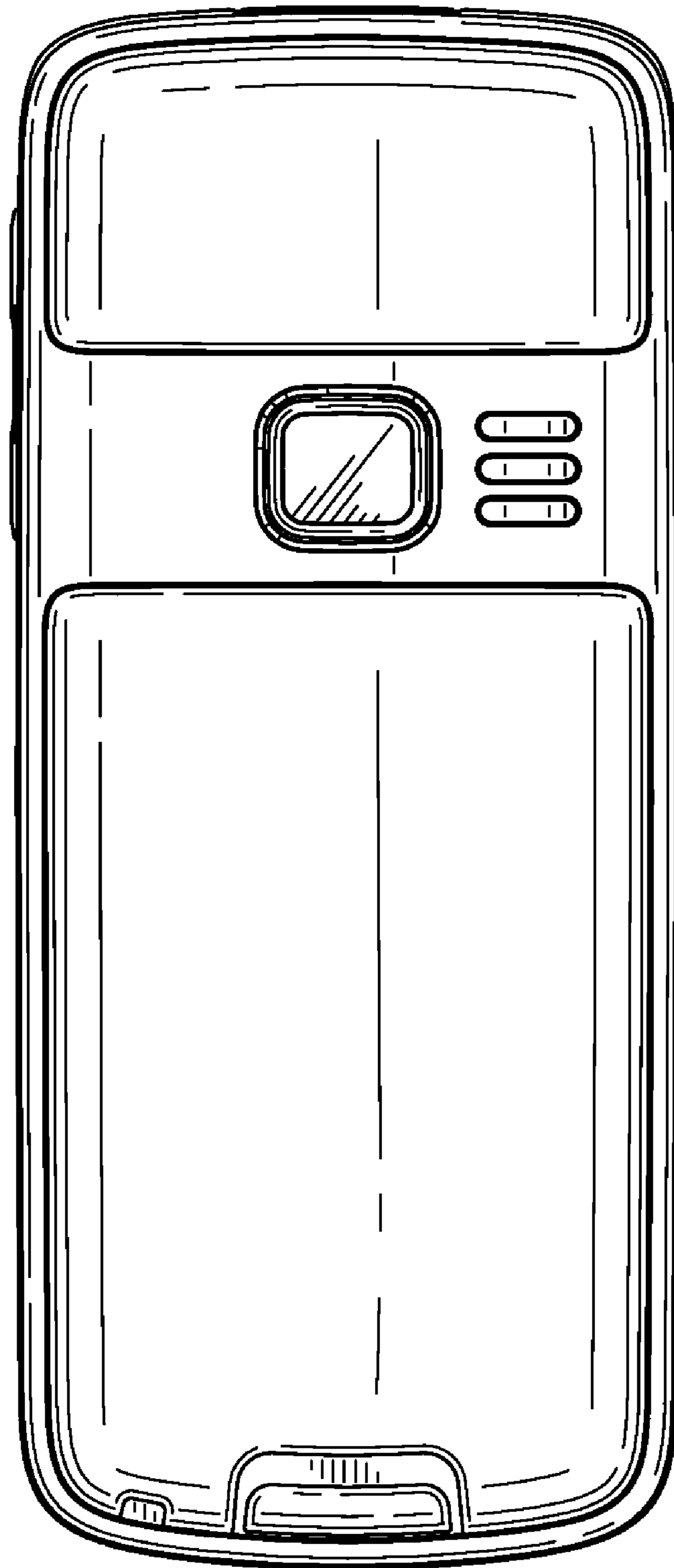


FIG. 6

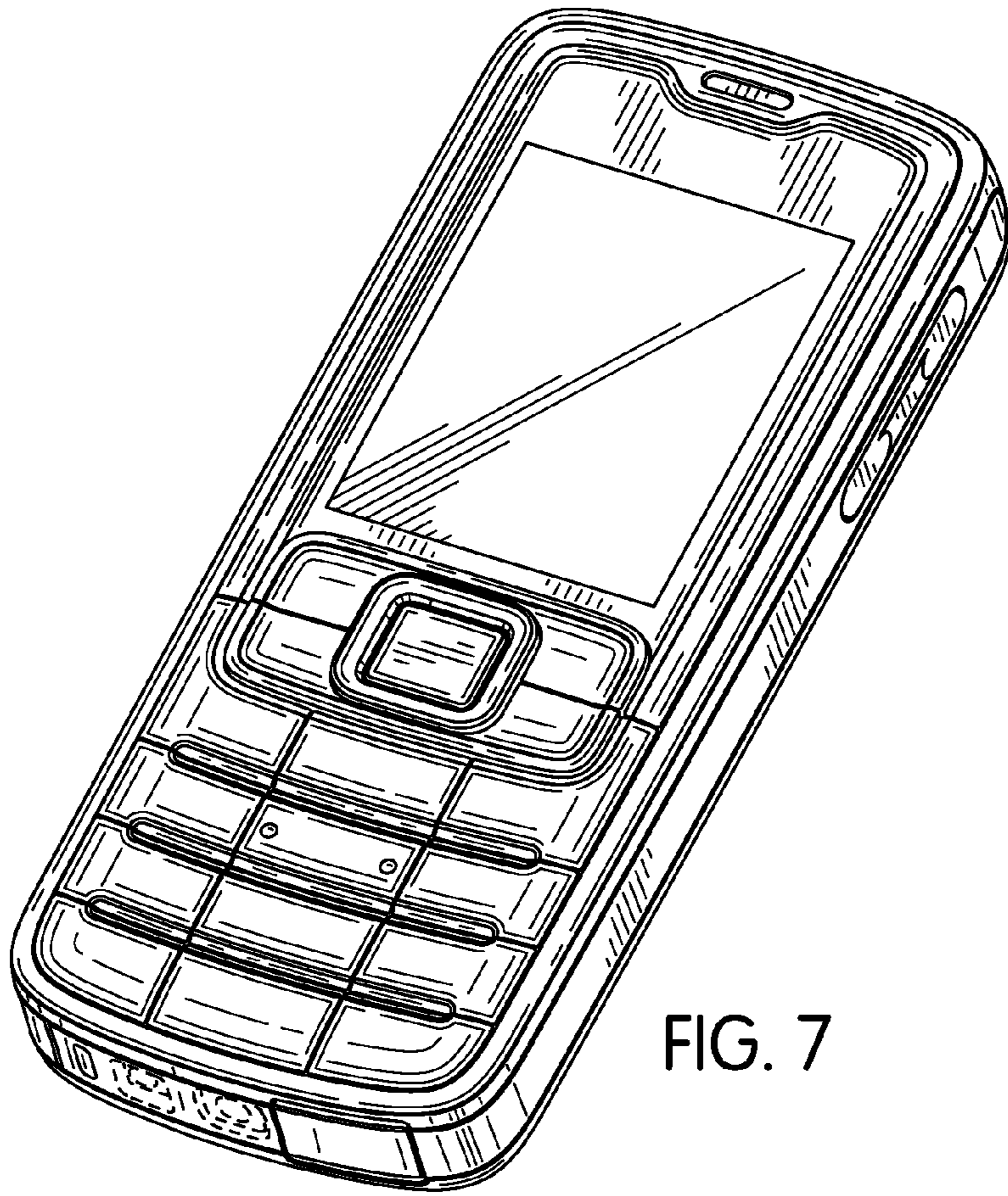


FIG. 7

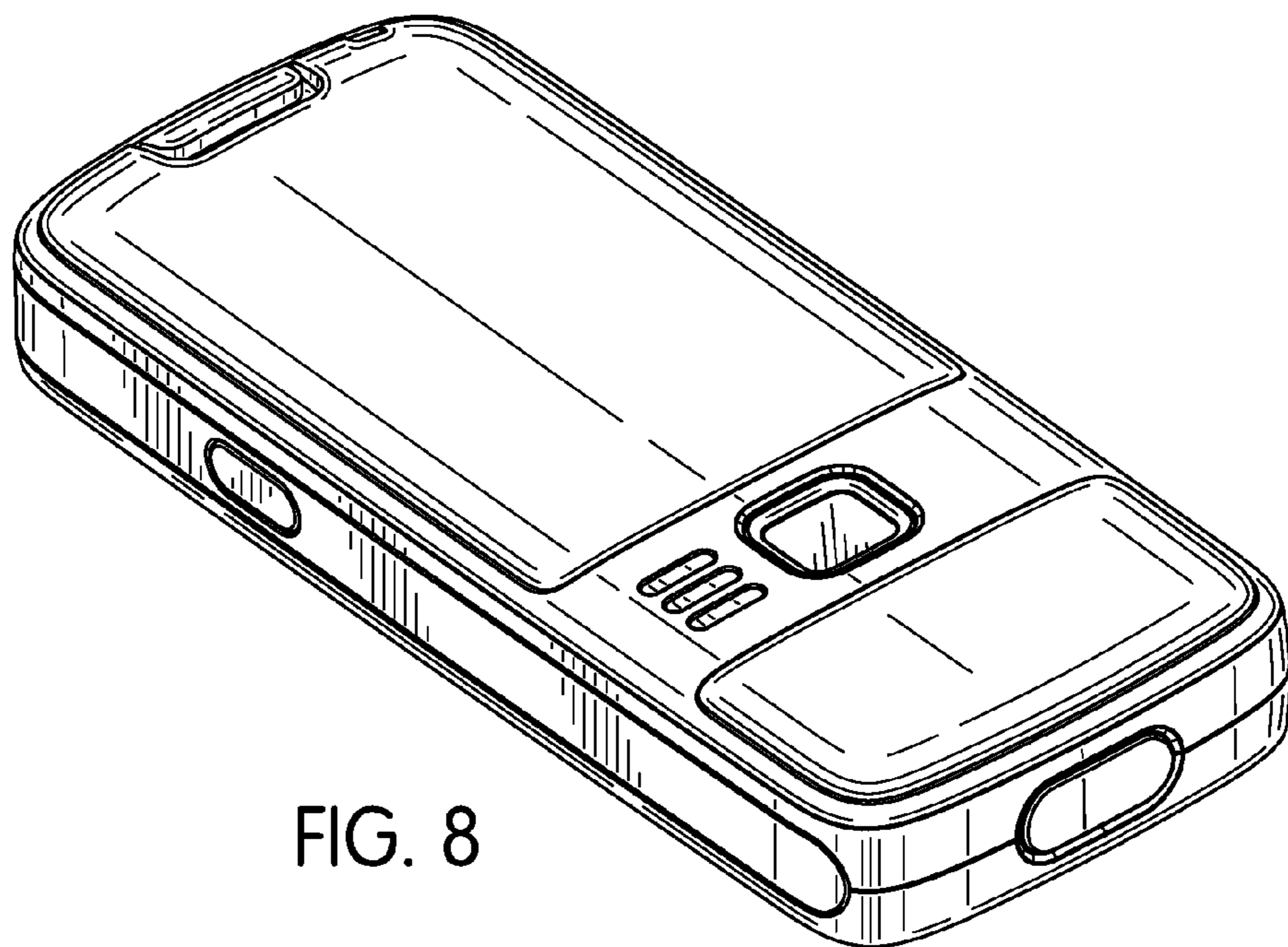


FIG. 8