



US00D580900S

(12) **United States Design Patent**  
**Wong et al.**

(10) **Patent No.:** **US D580,900 S**

(45) **Date of Patent:** **\*\* Nov. 18, 2008**

(54) **HANDSET**

(75) Inventors: **Chee Wong**, London (GB); **Silas Grant**, London (GB); **Valerie Pegon**, London (GB); **Totti Helin**, Beijing (CN)

(73) Assignee: **Nokia Corporation**, Espoo (FI)

(\*\*) Term: **14 Years**

(21) Appl. No.: **29/280,463**

(22) Filed: **May 29, 2007**

(30) **Foreign Application Priority Data**

Nov. 28, 2006 (FI) ..... M20060222

(51) **LOC (8) Cl.** ..... **14-03**

(52) **U.S. Cl.** ..... **D14/138**

(58) **Field of Classification Search** ..... D14/137-138, D14/147-148, 156, 218, 247-248, 341-347, D14/390, 399, 455-456, 496; D16/208; D21/329, 331, 333, 517; 348/14.01-14.02; 361/814; 379/433.01-433.13; 455/90.3, 455/556.1-556.2, 566, 575.1, 575.3, 575.4; D13/164, 168; 439/165; 343/702  
See application file for complete search history.

(56) **References Cited**

**U.S. PATENT DOCUMENTS**

- D465,774 S \* 11/2002 Nuovo ..... D14/138
- D474,166 S \* 5/2003 Burns et al. .... D14/138
- 6,590,566 B2 \* 7/2003 Abe ..... 345/168
- D494,559 S \* 8/2004 Fuxen ..... D14/138
- D498,733 S \* 11/2004 Majanen ..... D14/138
- D499,709 S \* 12/2004 Nuovo et al. .... D14/138
- 6,904,148 B1 \* 6/2005 Yabusaki ..... 379/433.07
- D518,804 S \* 4/2006 Kangasmaa et al. .... D14/138
- D539,258 S \* 3/2007 Wang et al. .... D14/138
- D539,259 S \* 3/2007 Wang et al. .... D14/138

- D541,251 S \* 4/2007 Lee et al. .... D14/138
- D542,258 S \* 5/2007 Park et al. .... D14/138
- 2005/0054397 A1 \* 3/2005 Kim et al. .... 455/575.4

**OTHER PUBLICATIONS**

Alcatel OT-C507, announced Feb. 2007, <URL:http://www.gsmarena.com/alcatel\_ot\_c507-pictures-1901.php>, retrieved from internet May 26, 2008.\*

Nokia Model #7610, Nokia Corporation, 7 color sheets of photographs, disclosed on or about Mar. 2004.

\* cited by examiner

*Primary Examiner*—Ian Simmons

*Assistant Examiner*—Carla Wright

(74) *Attorney, Agent, or Firm*—Banner & Witcoff, Ltd.

(57) **CLAIM**

The ornamental design for a handset, as shown and described.

**DESCRIPTION**

FIG. 1 is a top plan view of a handset showing our new design;

FIG. 2 is a right side view thereof;

FIG. 3 is a front view thereof;

FIG. 4 is a left side view thereof;

FIG. 5 is a bottom plan view thereof;

FIG. 6 is a rear view thereof;

FIG. 7 is a perspective front view thereof;

FIG. 8 is a right side view of the handset of FIGS. 1-7 shown on an enlarged scale;

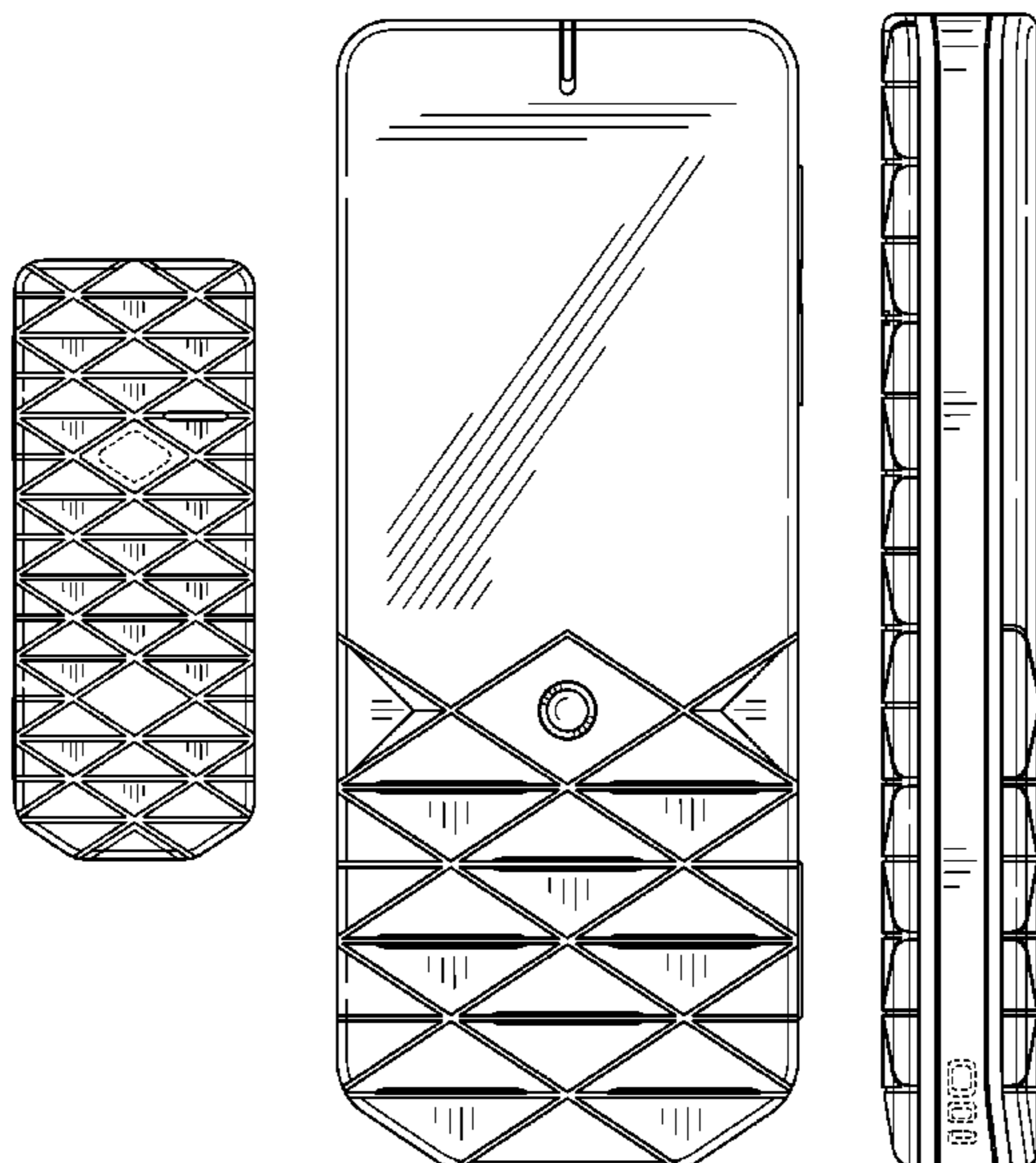
FIG. 9 is a front view thereof;

FIG. 10 is a left side view thereof; and,

FIG. 11 is a perspective front view thereof.

The broken line showing of environmental structures is for illustrative purposes only and forms no part of the claimed design.

**1 Claim, 5 Drawing Sheets**



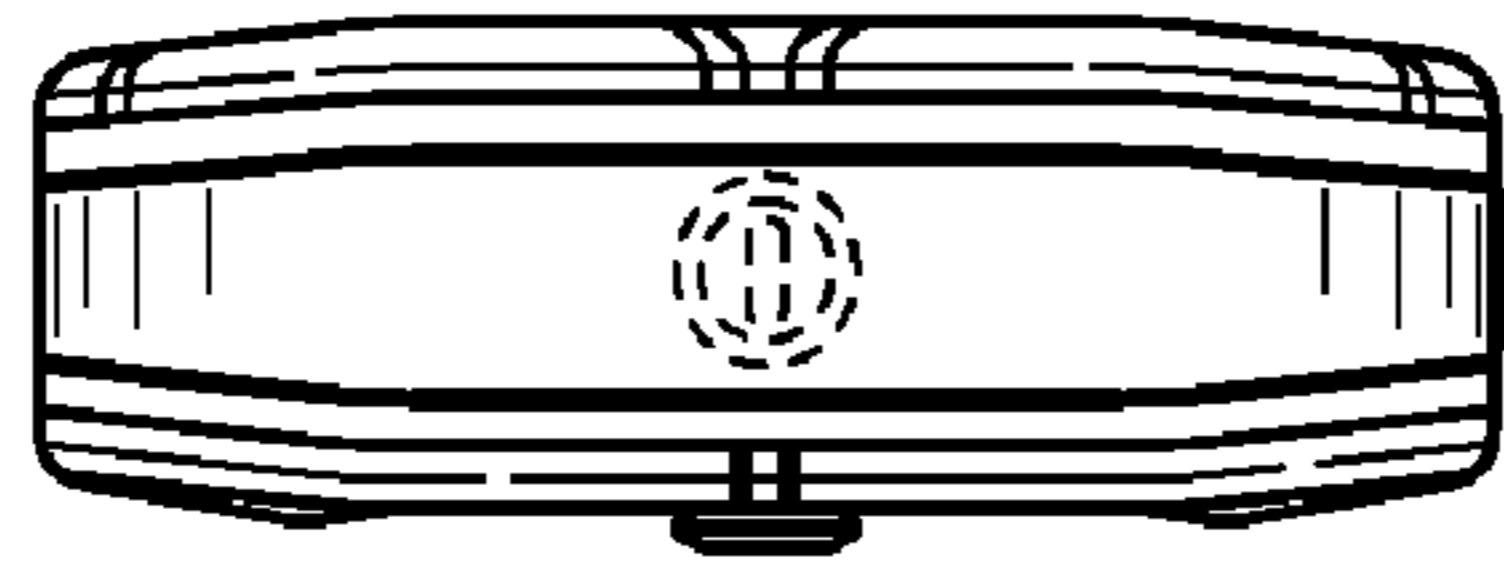


FIG. 1

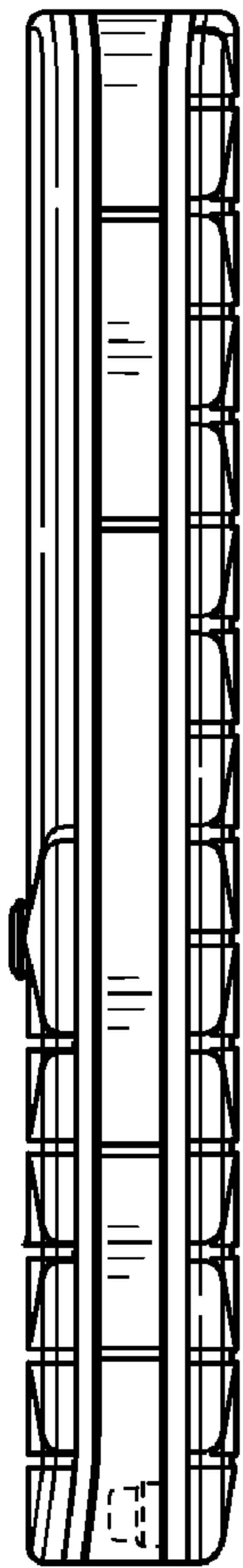


FIG. 2

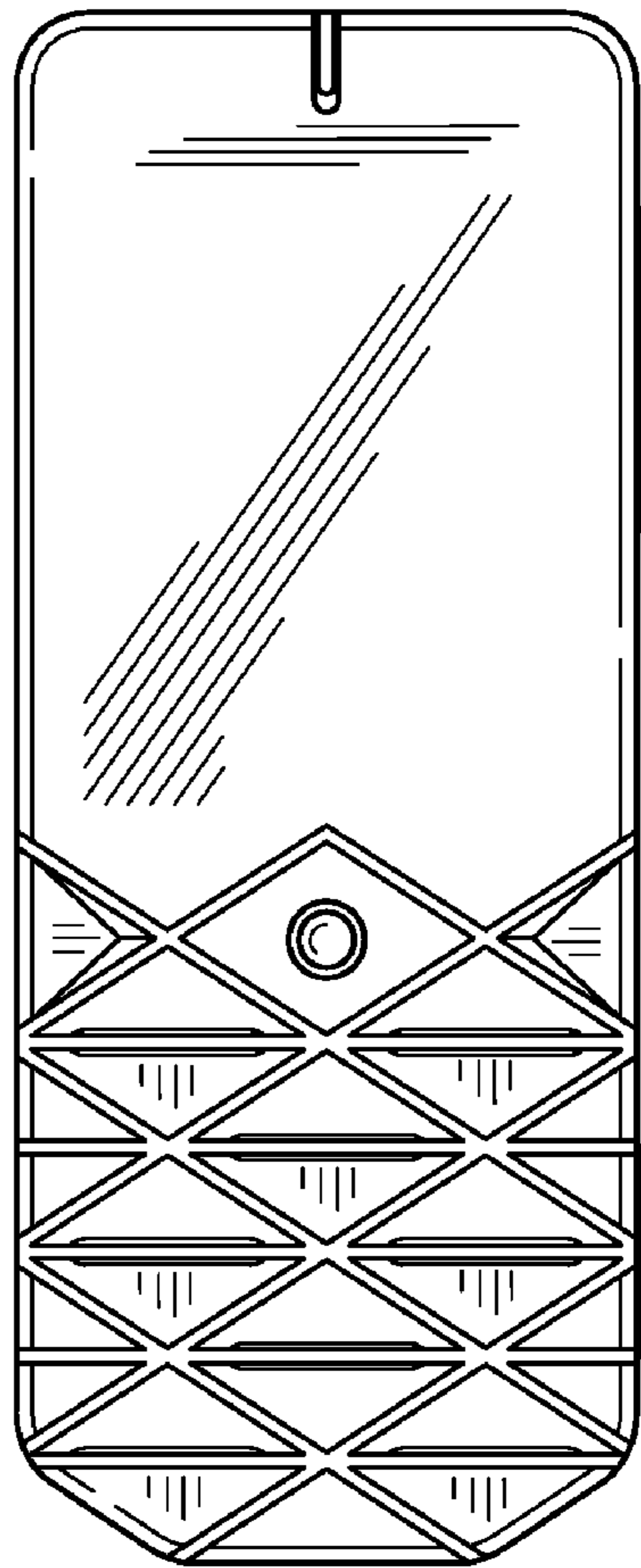


FIG. 3

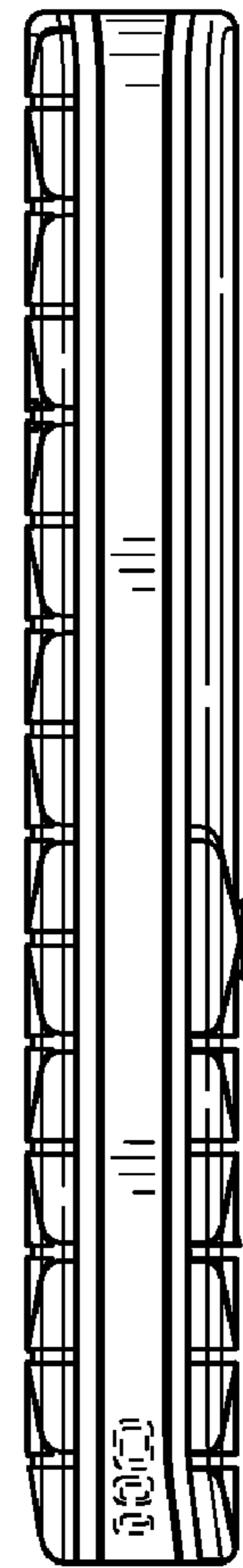


FIG. 4



FIG. 5

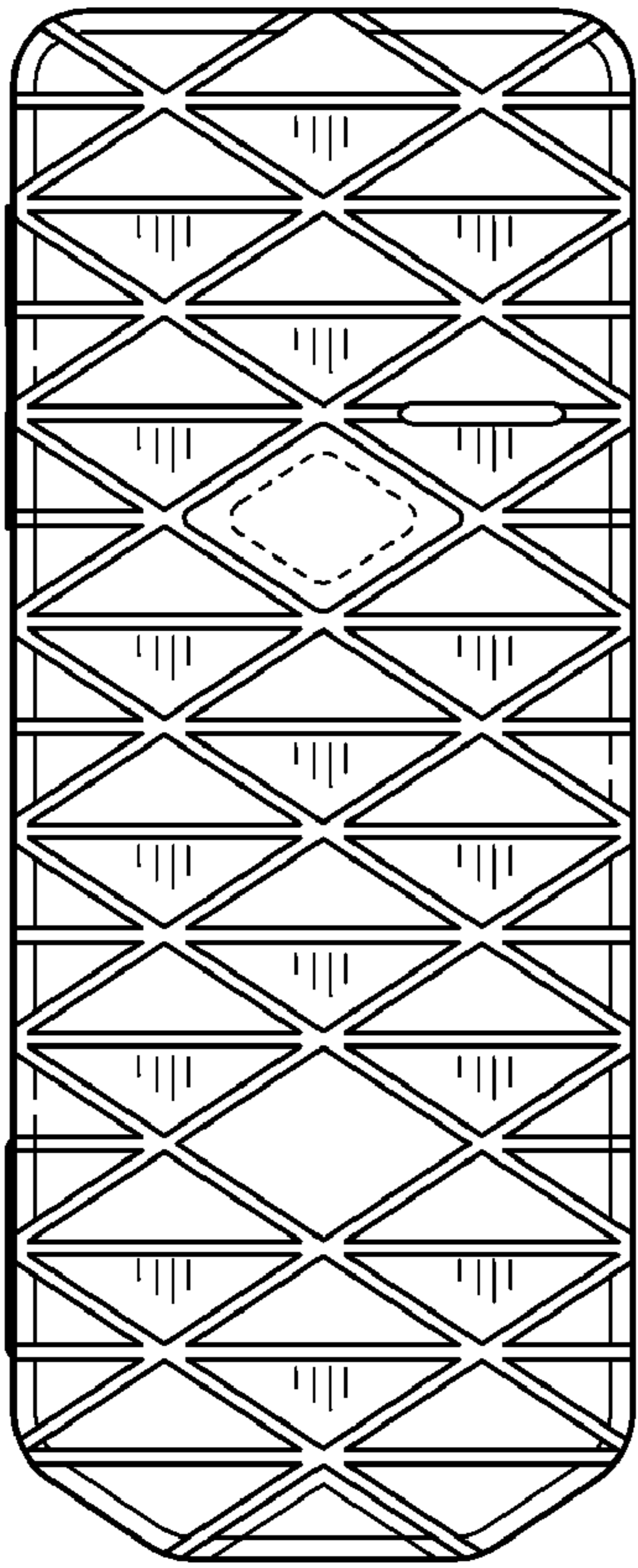


FIG. 6

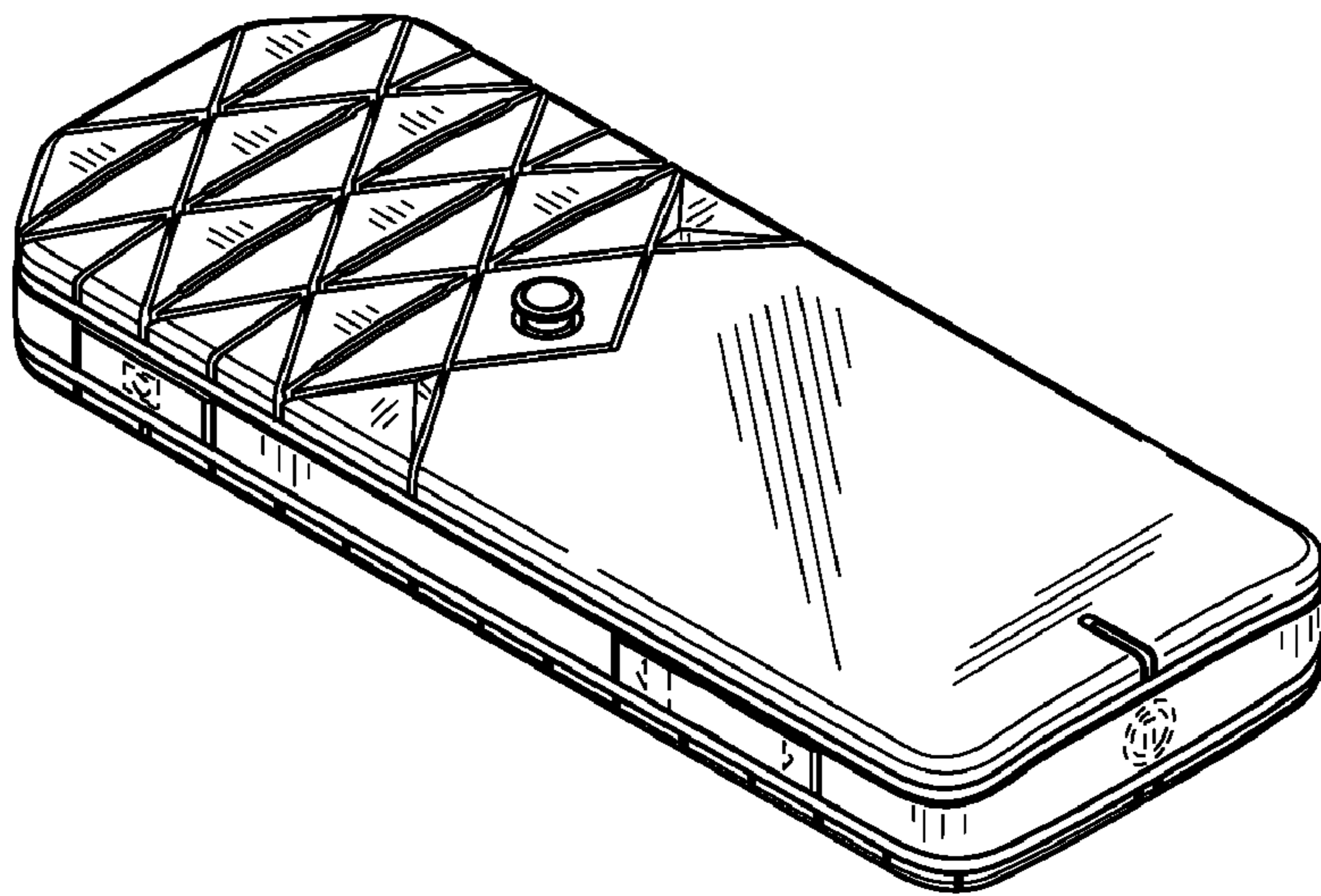


FIG. 7

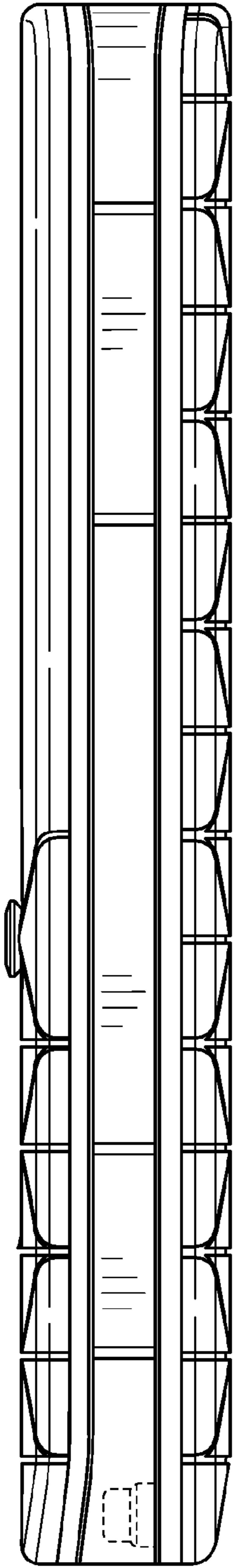


FIG. 8

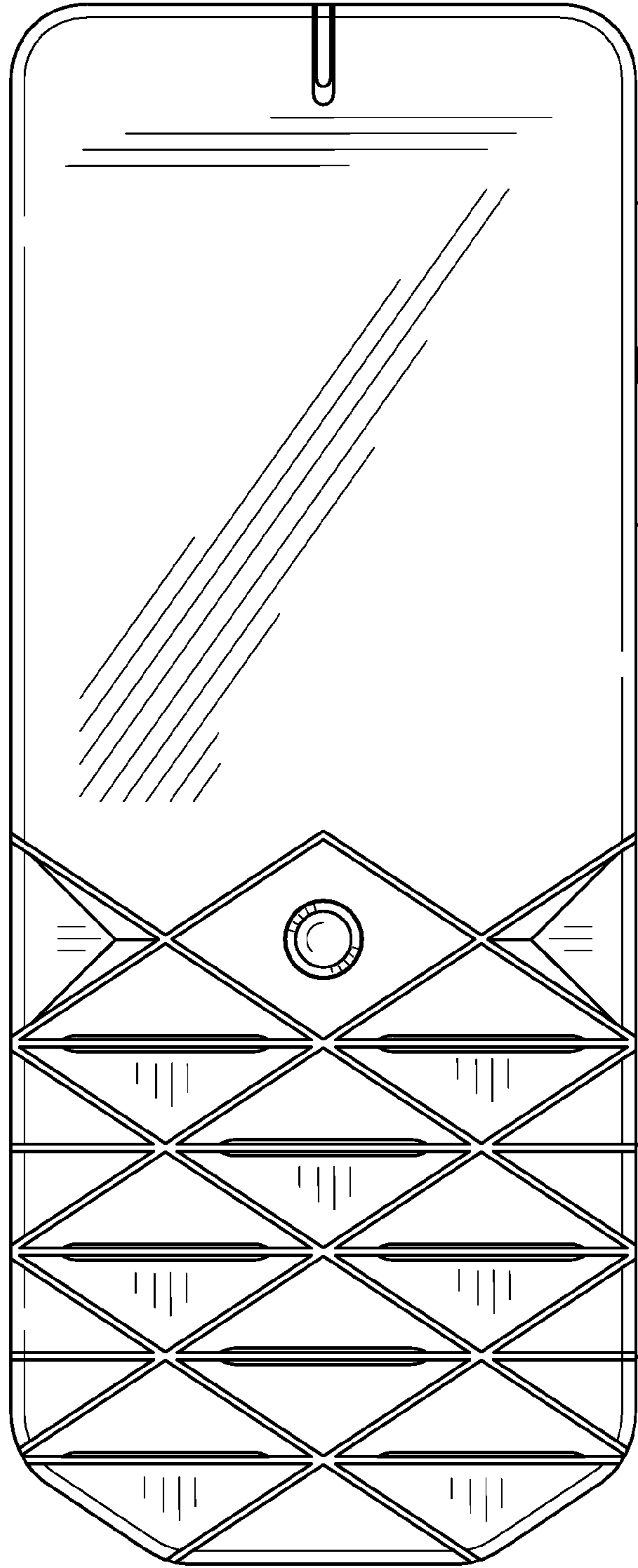


FIG. 9



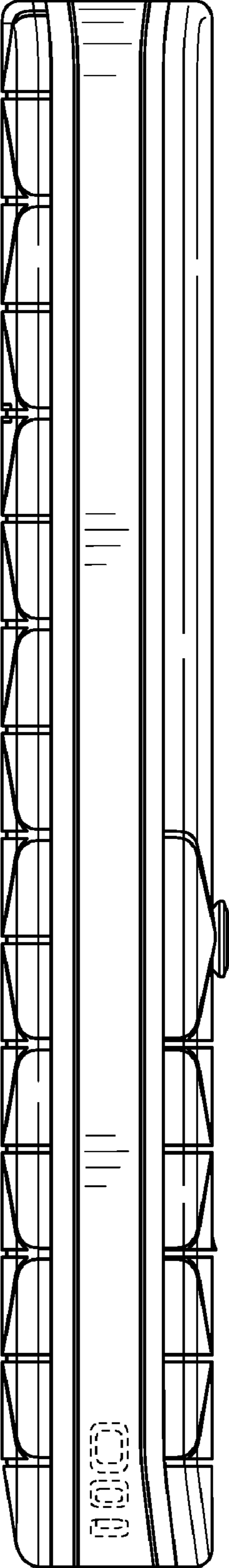


FIG. 10

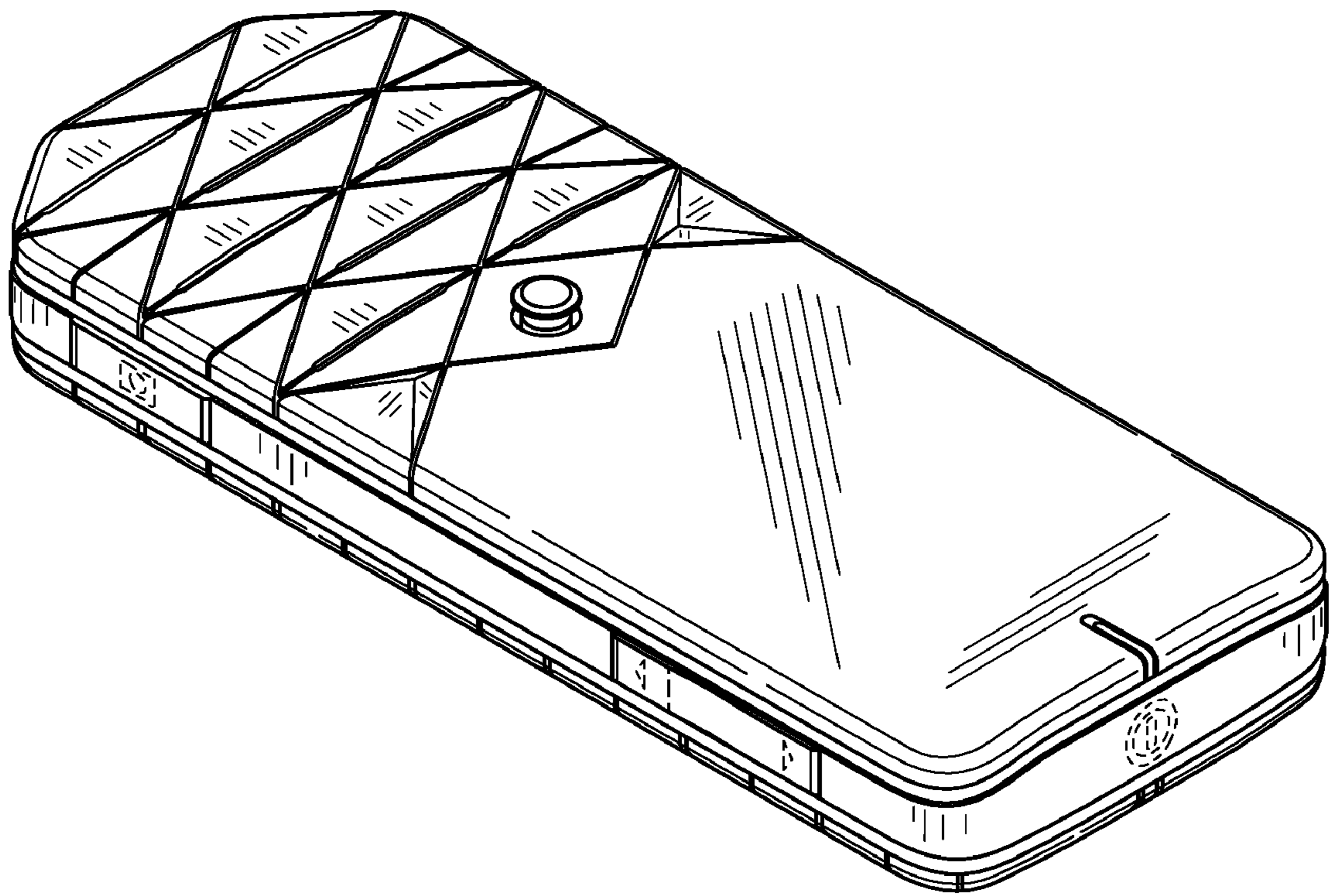


FIG. 11