



US00D580898S

(12) **United States Design Patent**
Aihara

(10) **Patent No.:** **US D580,898 S**
(45) **Date of Patent:** **** Nov. 18, 2008**

(54) **DISPLAY WITH DIGITAL VIDEO DISC
PLAYER FOR AUTOMOBILE**

D513,609 S 1/2006 Nishii et al.
D533,859 S * 12/2006 Nishii et al. D14/132
D550,637 S * 9/2007 Iwamoto et al. D14/132

(75) Inventor: **Kazuhiro Aihara**, Kadoma (JP)

FOREIGN PATENT DOCUMENTS

(73) Assignee: **Panasonic Corporation**, Osaka (JP)

JP	1023655	10/1998
JP	D 1099489	2/2001
JP	D 1106621	4/2001
JP	D 1181164	8/2003
JP	D 1181322	8/2003
JP	D 1200871	4/2004
JP	D 1210381	6/2004
JP	D 1237673	4/2005

(**) Term: **14 Years**

(21) Appl. No.: **29/285,611**

(22) Filed: **Apr. 3, 2007**

(30) **Foreign Application Priority Data**

Oct. 25, 2006 (JP) 2006-029136

* cited by examiner

Primary Examiner—Raphael Barkai

(74) *Attorney, Agent, or Firm*—Brinks Hofer Gilson & Lione

(51) **LOC (8) Cl.** **14-03**

(52) **U.S. Cl.** **D14/132**

(58) **Field of Classification Search** D14/125–134,
D14/239, 371, 136, 374–377, 440, 450, 448,
D14/336, 342; 312/7.2; 348/836, 838, 180,
348/184, 325, 739; 341/12; 248/917–924,
248/465; 345/104, 133, 156, 168, 87, 173;
720/605, 669, 600, 655; 369/99, 197; 455/344,
455/347; D21/329, 515, 577, 622, 333, 433,
D21/448, 452, 450, 331; D6/477, 479; 273/148 B;
446/484, 175, 356; D10/15, 26; D12/415–418,
D12/345; 180/90

See application file for complete search history.

(56) **References Cited**

U.S. PATENT DOCUMENTS

4,983,951 A	1/1991	Igarashi et al.
5,161,028 A	11/1992	Kawata et al.
5,173,686 A	12/1992	Fujihara
D391,251 S	2/1998	Yuyama et al.
D454,122 S	3/2002	Hori et al.
D457,504 S	5/2002	Hori et al.
D482,669 S *	11/2003	Hori et al. D14/132

(57) **CLAIM**

I claim the ornamental design for a display with digital video disc player for automobile, as shown and described.

DESCRIPTION

FIG. 1 is a top perspective view of a display with digital video disc player for automobile of the present invention;

FIG. 2 is a front view thereof;

FIG. 3 is a top view thereof;

FIG. 4 is a first side view thereof;

FIG. 5 is a second side view thereof;

FIG. 6 is a bottom view thereof; and,

FIG. 7 is a rear view thereof.

The ornamental design which is claimed is shown in solid lines in the drawings. Any broken lines in the drawings are for illustrative purposes only and form no part of the claimed design.

1 Claim, 4 Drawing Sheets

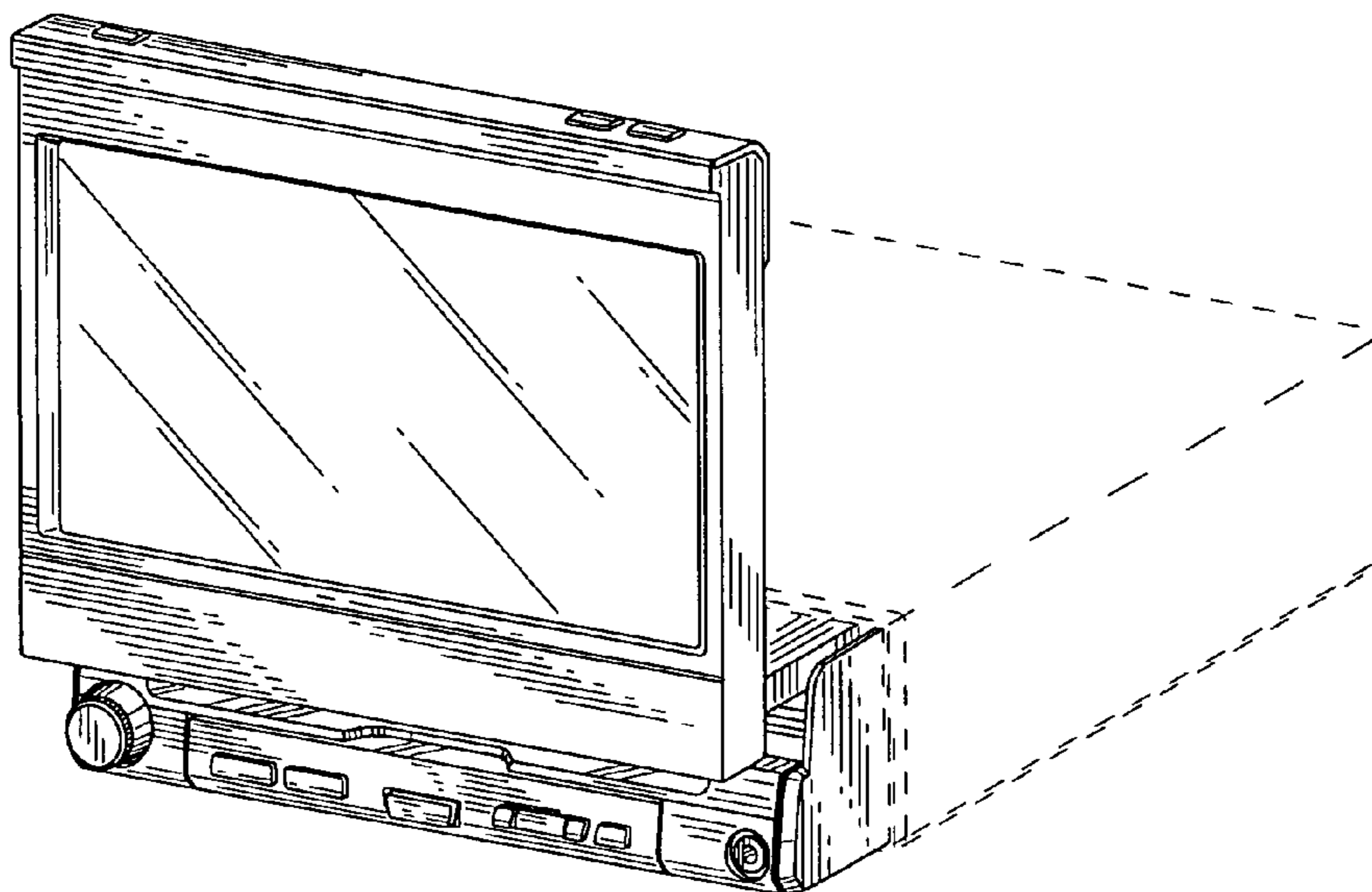


FIG.1

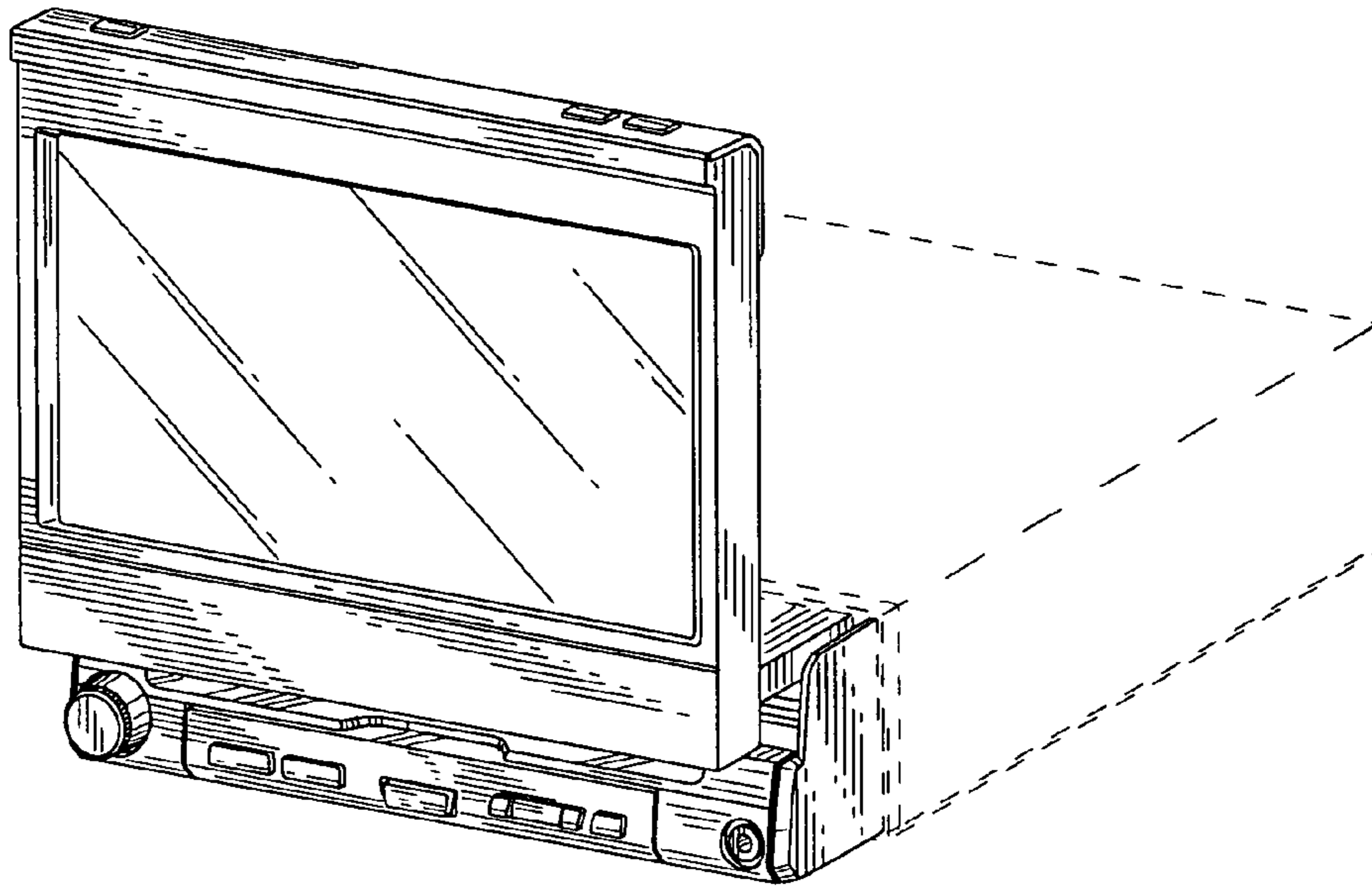


FIG.2

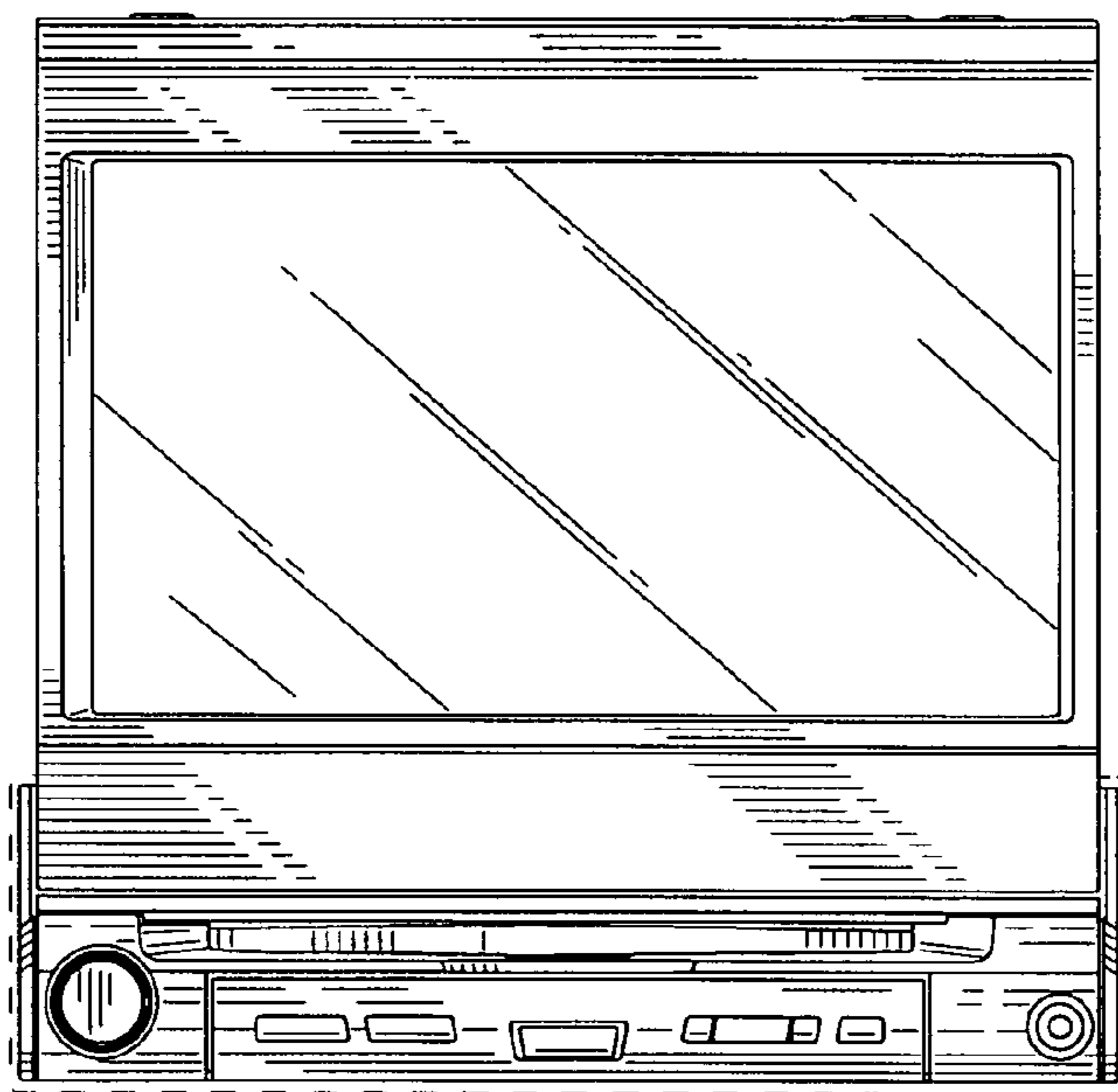


FIG.3

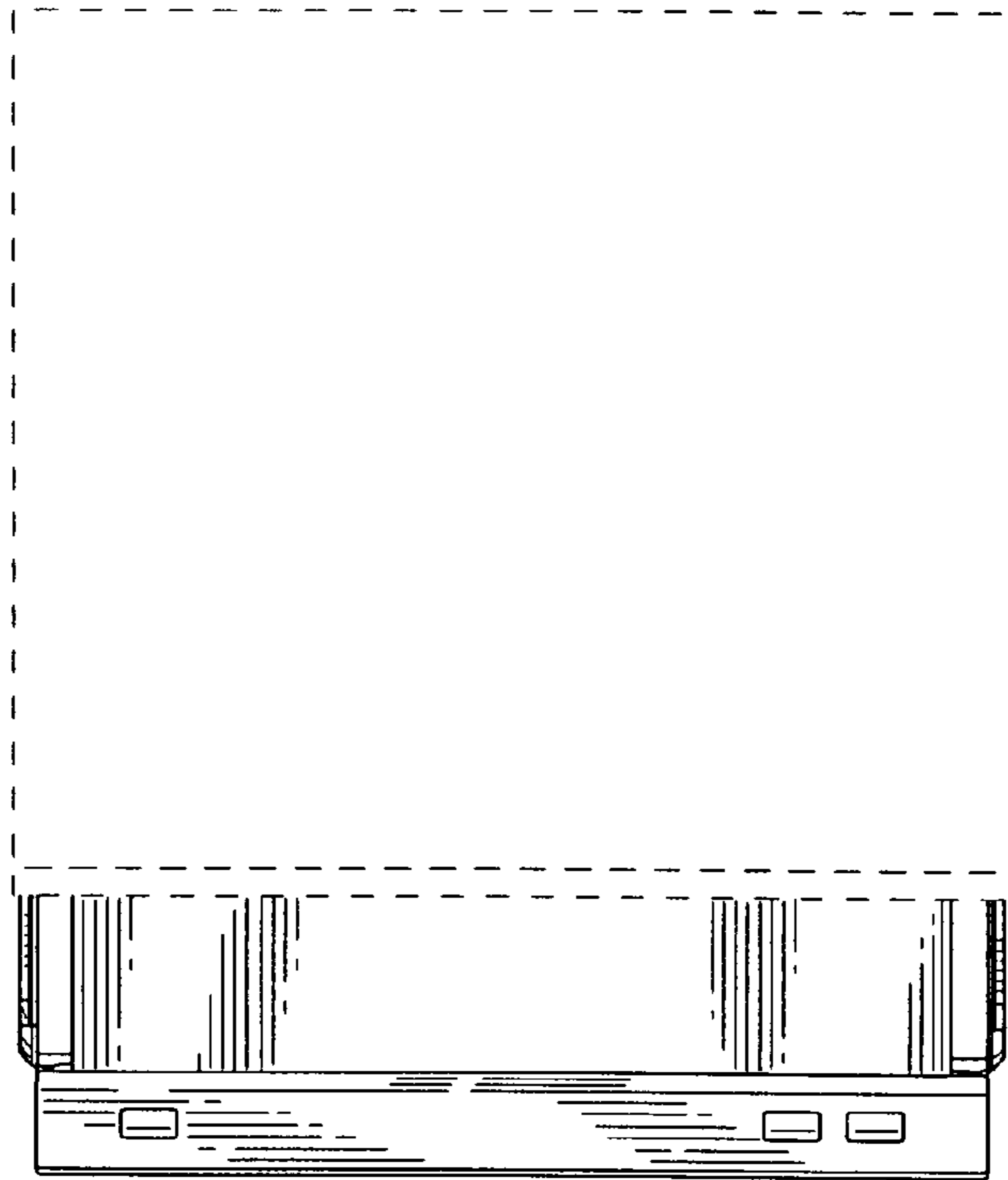


FIG.4

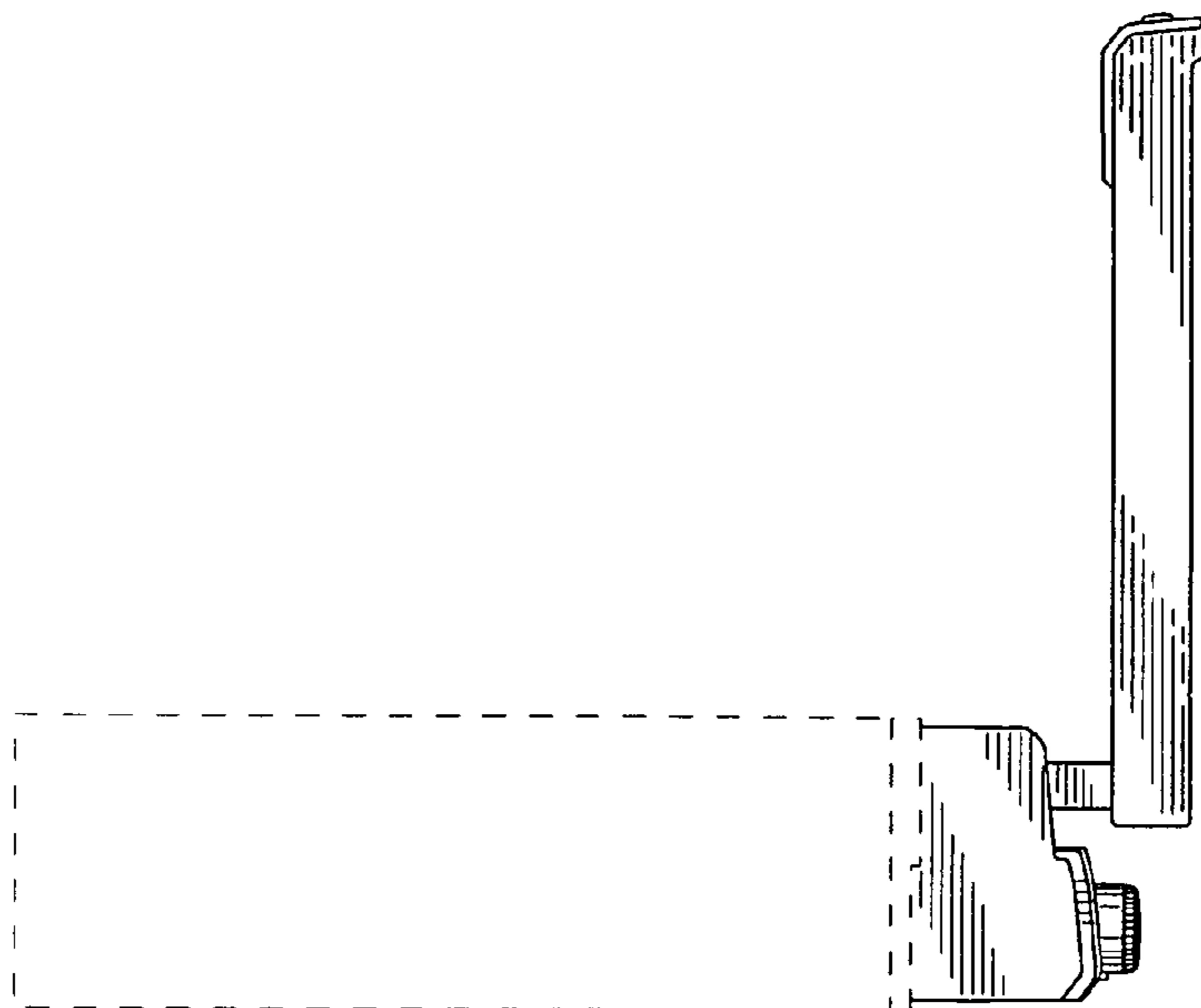


FIG.5

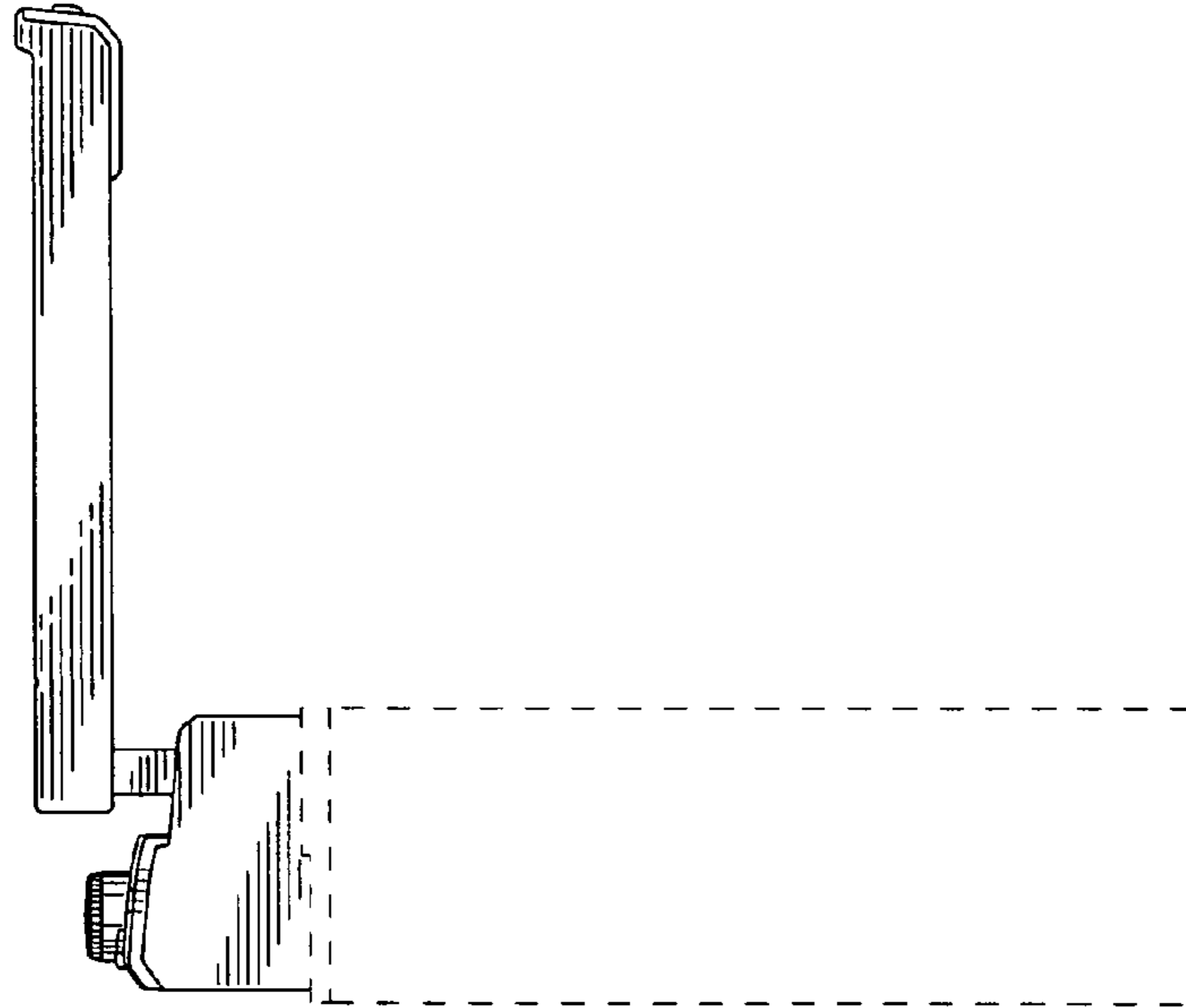


FIG.6

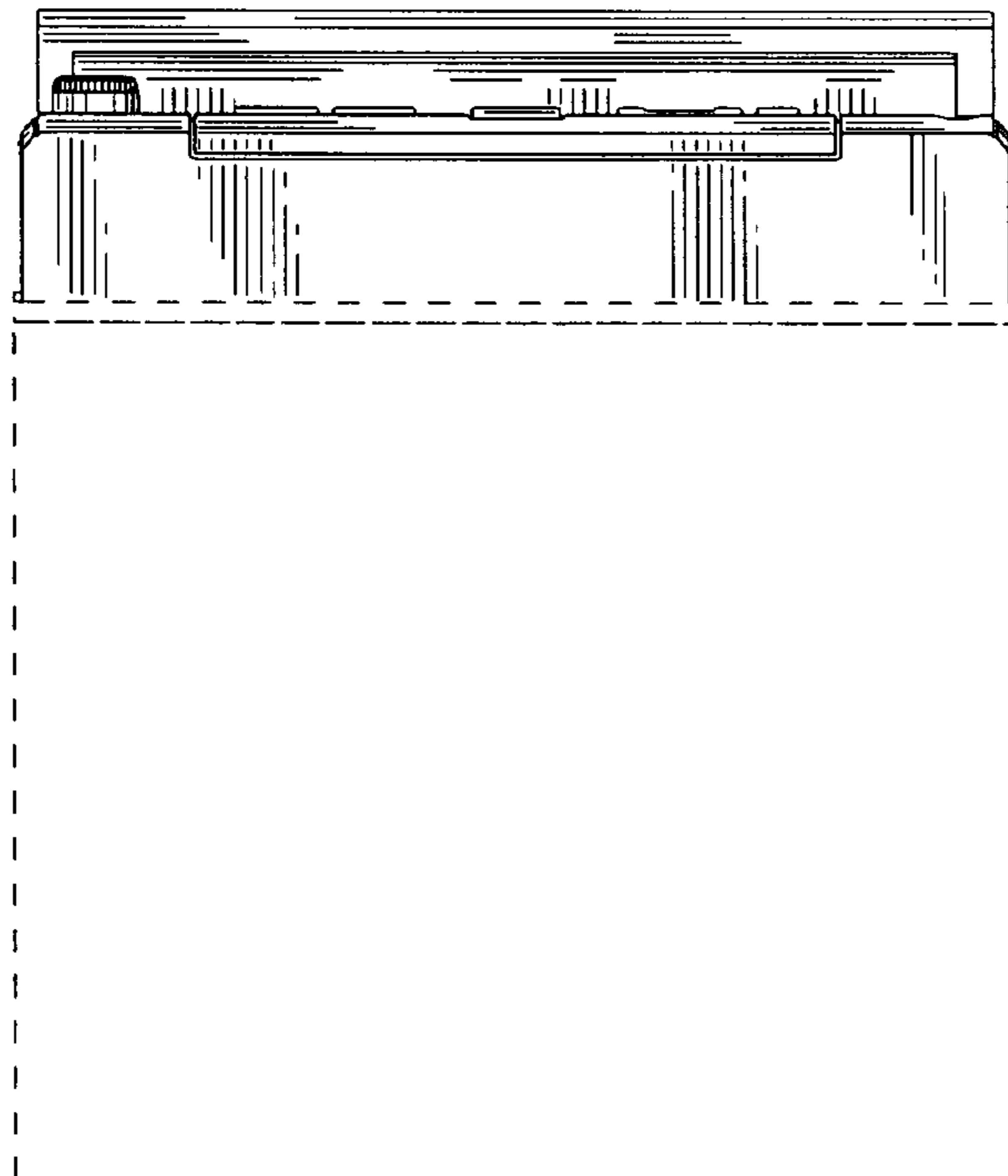


FIG. 7

