



US00D580897S

(12) **United States Design Patent**
Rein

(10) **Patent No.:** **US D580,897 S**

(45) **Date of Patent:** **** Nov. 18, 2008**

(54) **WALL-MOUNTED MULTIMEDIA STATION**

(76) **Inventor:** **Gary Rein**, 954 Lexington Ave., Suite 267, New York, NY (US) 10021

(**) **Term:** **14 Years**

(21) **Appl. No.:** **29/267,734**

(22) **Filed:** **Oct. 20, 2006**

(51) **LOC (8) Cl.** **14-03**

(52) **U.S. Cl.** **D14/129**

(58) **Field of Classification Search** D14/125-134, D14/239, 371, 136, 374-377, 440, 450, 448, D14/336, 342; 312/7.2; 348/836, 838, 180, 348/184, 325, 739; 341/12; 248/917-924, 248/465; 345/104, 133, 156, 168, 87, 173; 720/605, 669, 600, 655; 369/99, 197; 455/344, 455/347; D21/329, 515, 577, 622, 333, 433, D21/448, 452, 450, 331; D6/477, 479; 273/148 B; 446/484, 175, 356; D10/15, 26
See application file for complete search history.

(56) **References Cited**

U.S. PATENT DOCUMENTS

- D434,398 S * 11/2000 Takami et al. D14/129
- D439,567 S * 3/2001 Forlenza et al. D14/336
- D474,163 S * 5/2003 Araki D14/126
- D482,338 S * 11/2003 Kabasawa et al. D14/129
- D497,886 S * 11/2004 Hussaini et al. D14/126
- D502,690 S * 3/2005 Uehara et al. D14/129

- D541,773 S * 5/2007 Chong et al. D14/126
- D550,636 S * 9/2007 DeMaio et al. D14/133
- D555,610 S * 11/2007 Yang et al. D14/126
- D564,474 S * 3/2008 Miyawaki D14/132
- D566,074 S * 4/2008 Wada D14/129

* cited by examiner

Primary Examiner—Raphael Barkai

(74) *Attorney, Agent, or Firm*—Keith D. Nowak; Carter Ledyard & Milburn LLP

(57) **CLAIM**

The design for a wall-mounted multimedia station, substantially as shown and described.

DESCRIPTION

FIG. 1 is a perspective view of the wall-mounted multimedia station;

FIG. 2 is a front end view thereof;

FIG. 3 is a rear end view thereof;

FIG. 4 is a right side view thereof;

FIG. 5 is a left side view thereof;

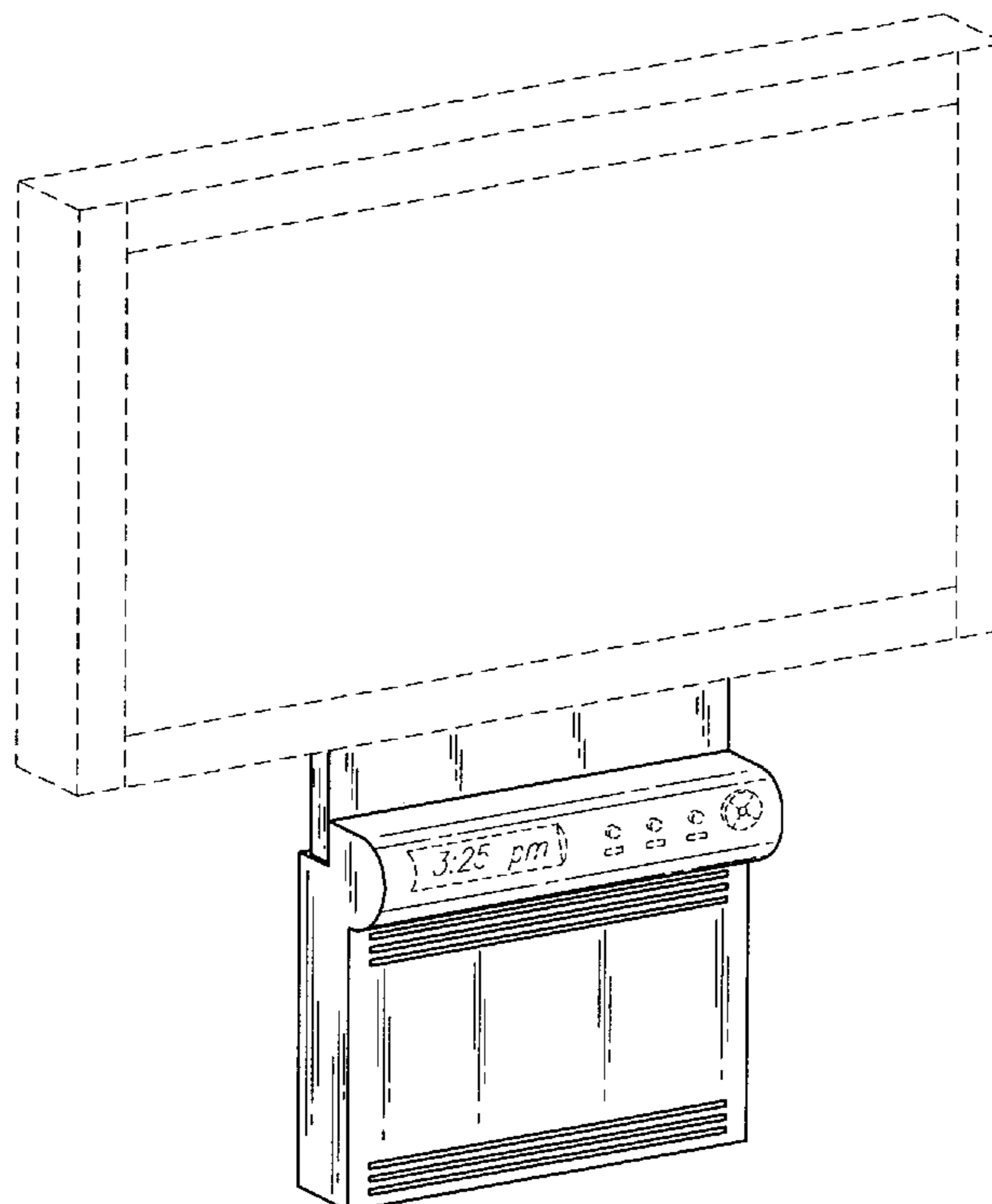
FIG. 6 is a top view thereof;

FIG. 7 is a bottom view thereof; and,

FIG. 8 is a second perspective view thereof.

The broken lines shown in FIGS. 1, 2 and 4-8 are for illustrative purposes only and form no part of the claimed design.

1 Claim, 6 Drawing Sheets



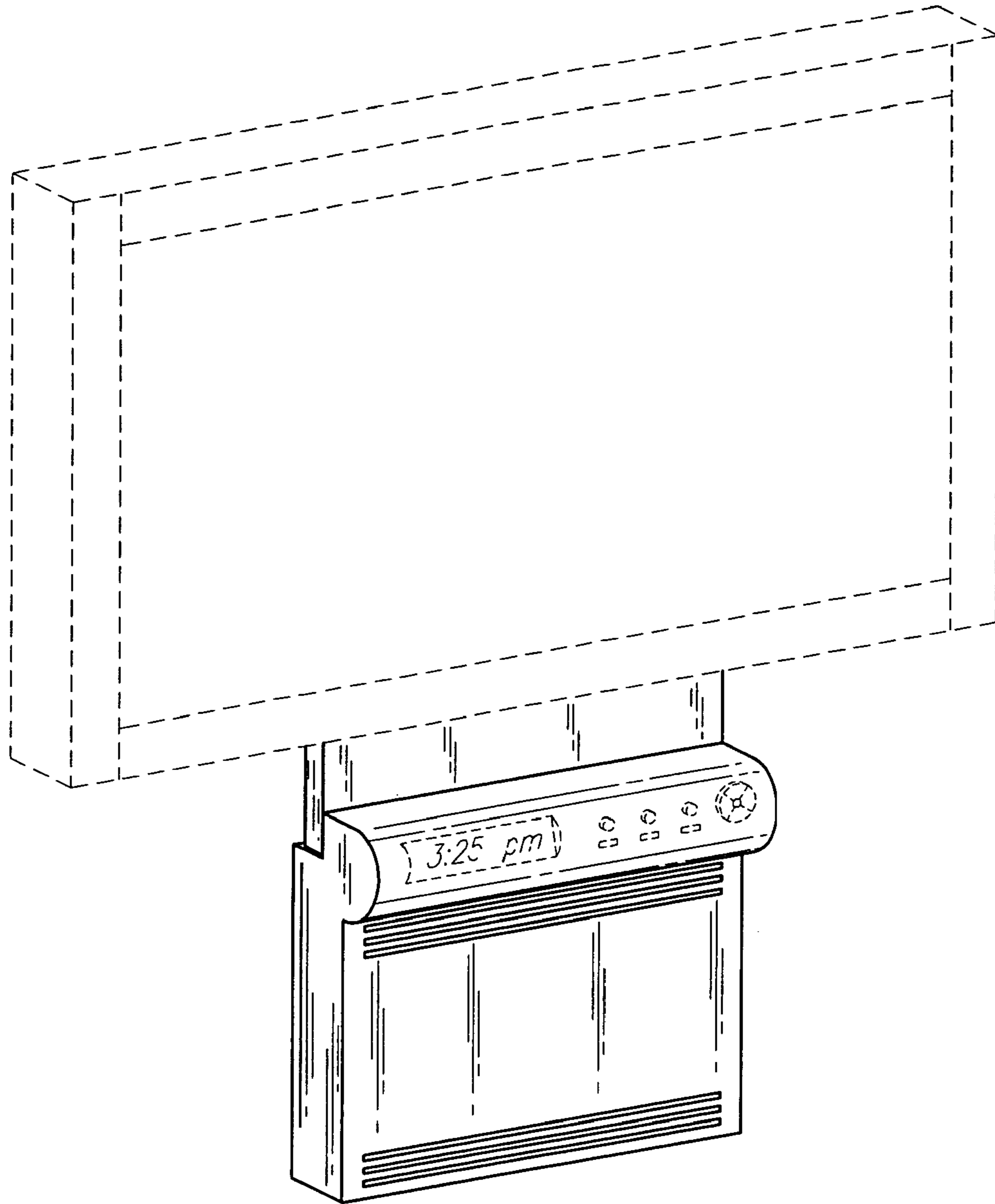


FIG. 1

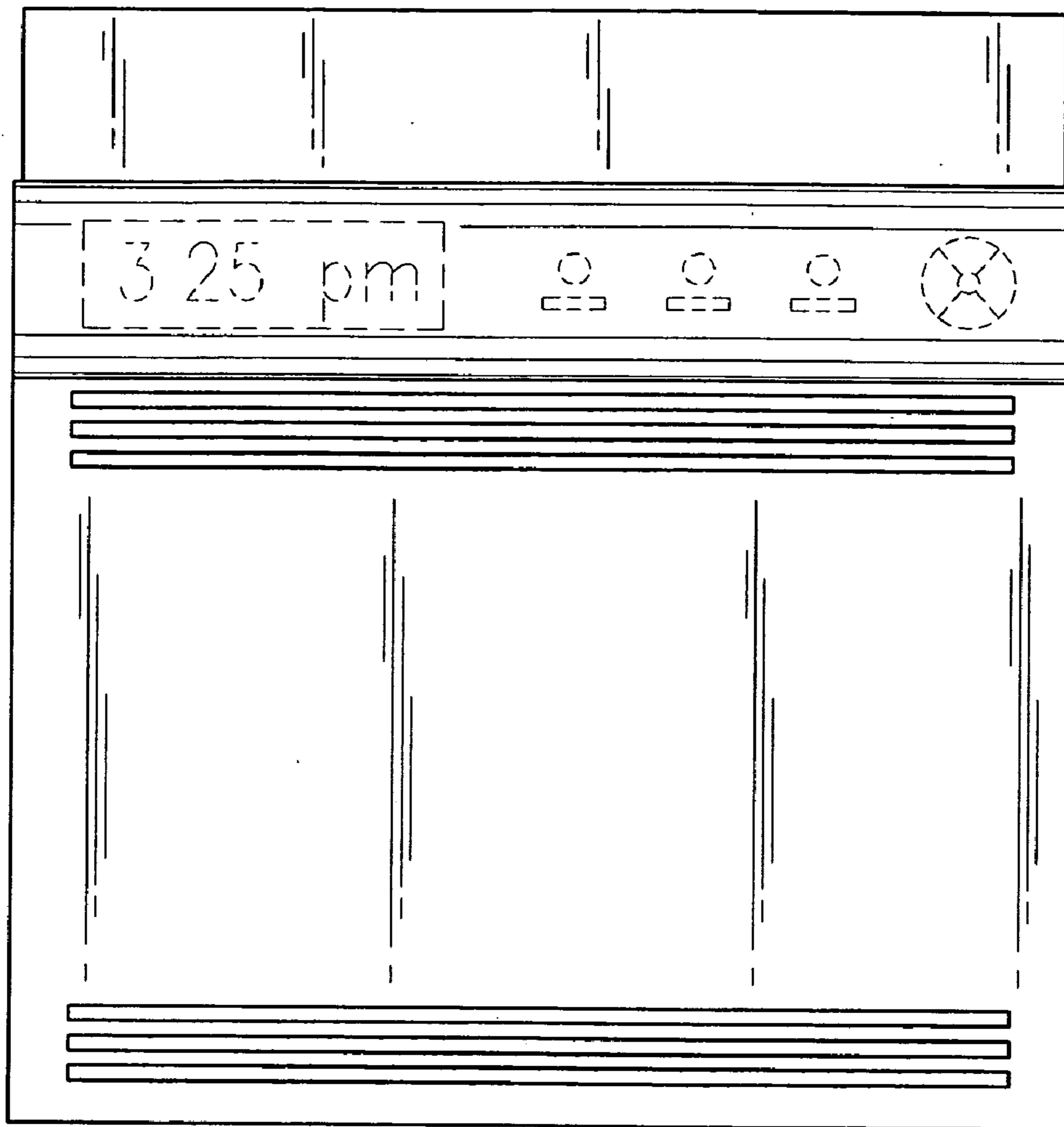


FIG. 2

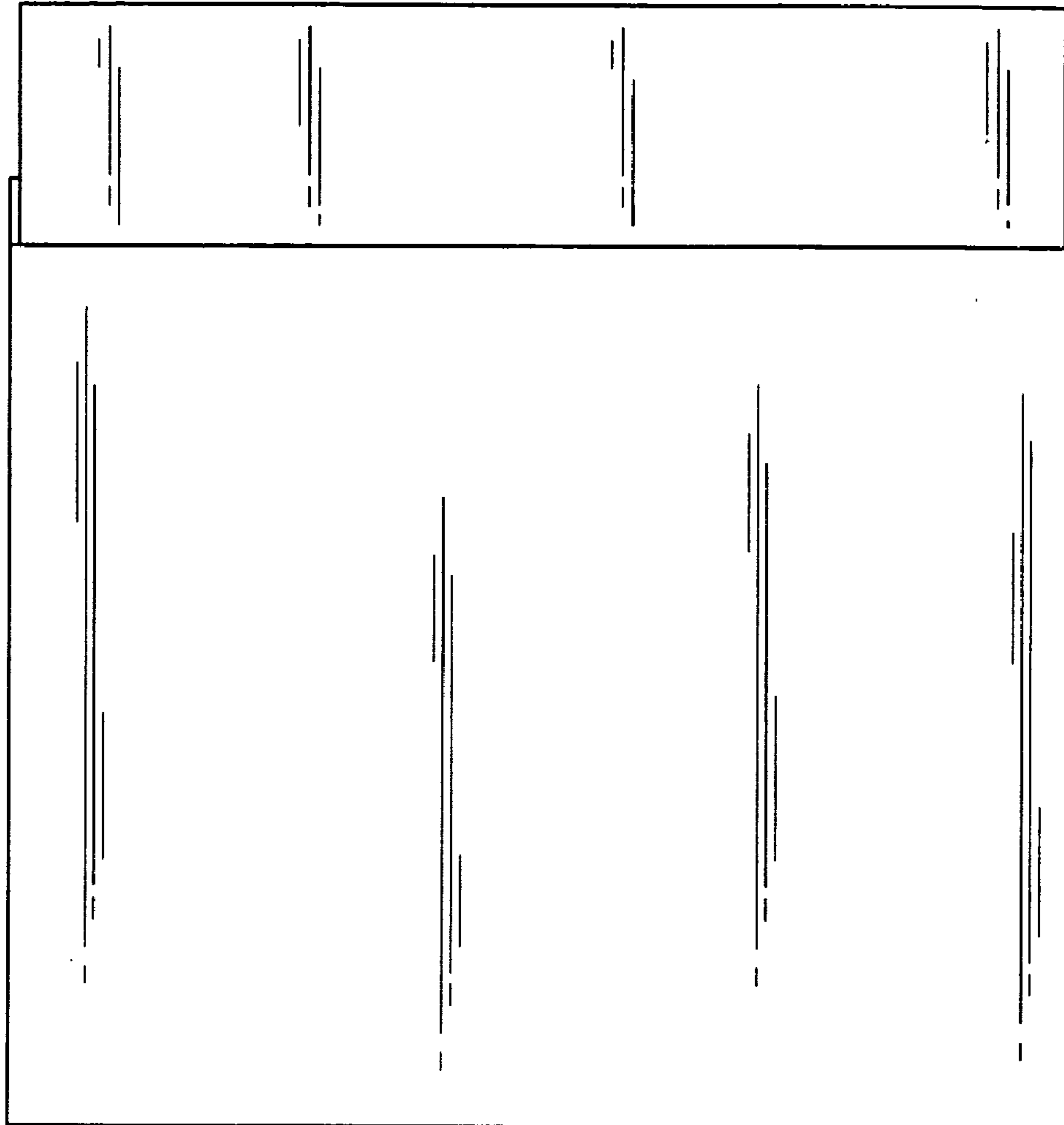


FIG. 3

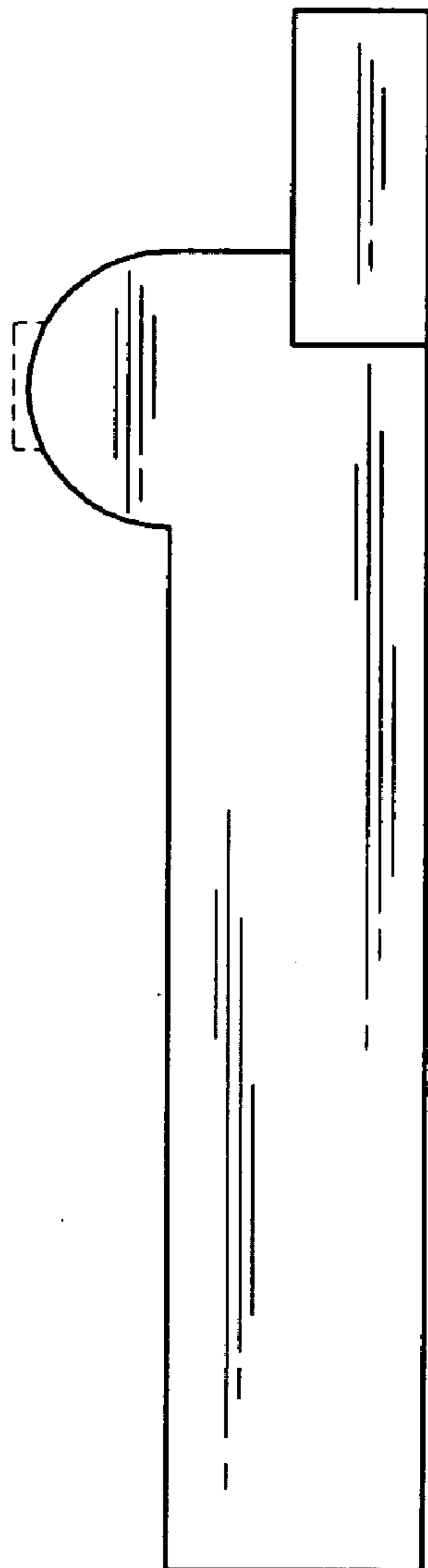


FIG. 4

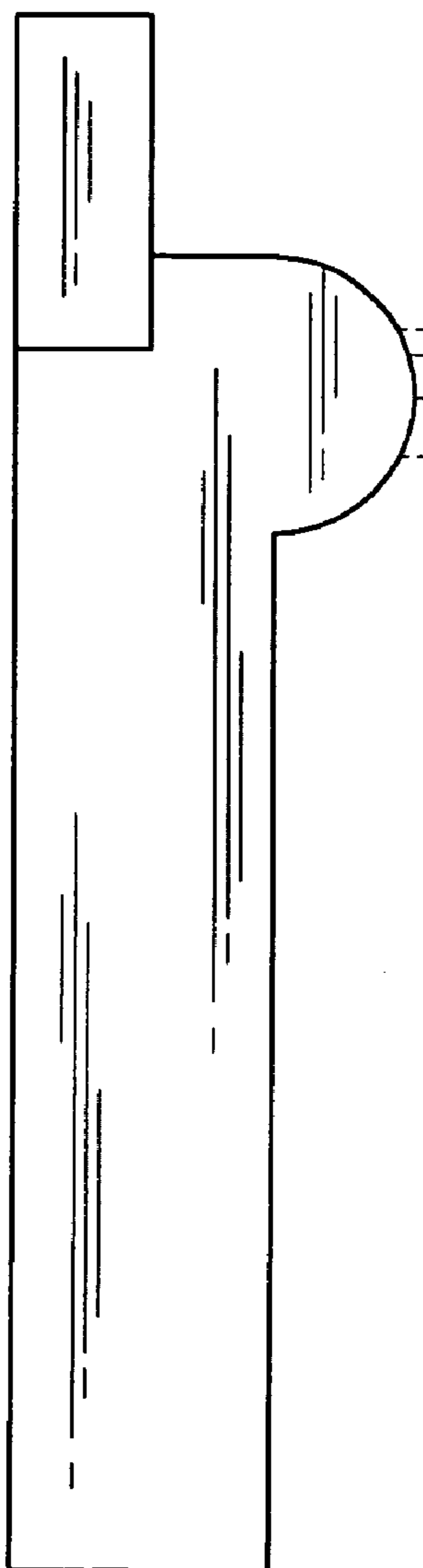


FIG. 5

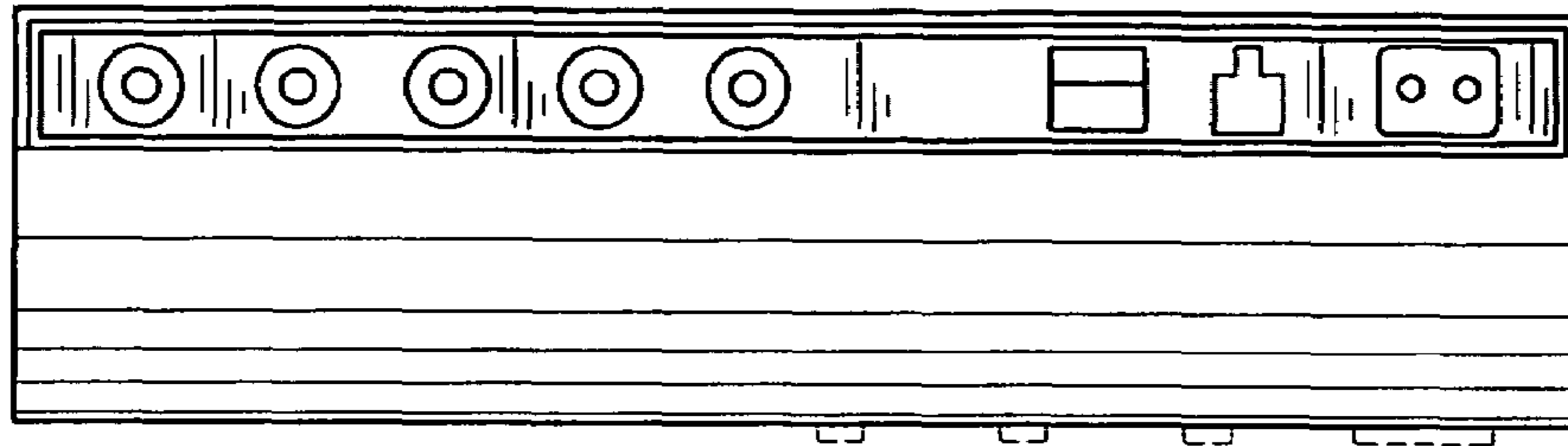


FIG. 6

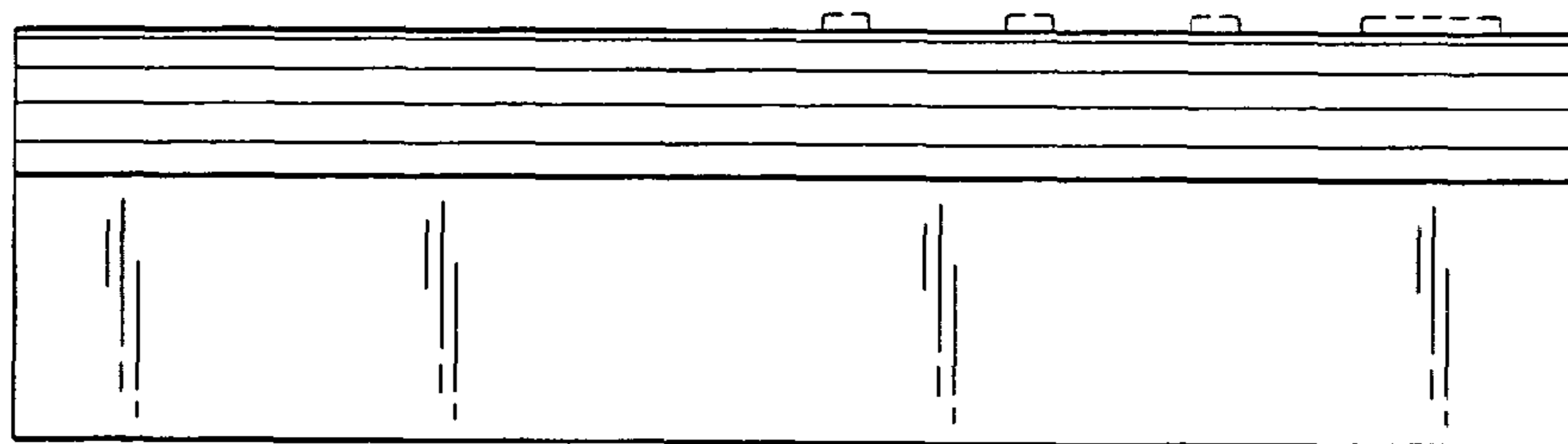


FIG. 7

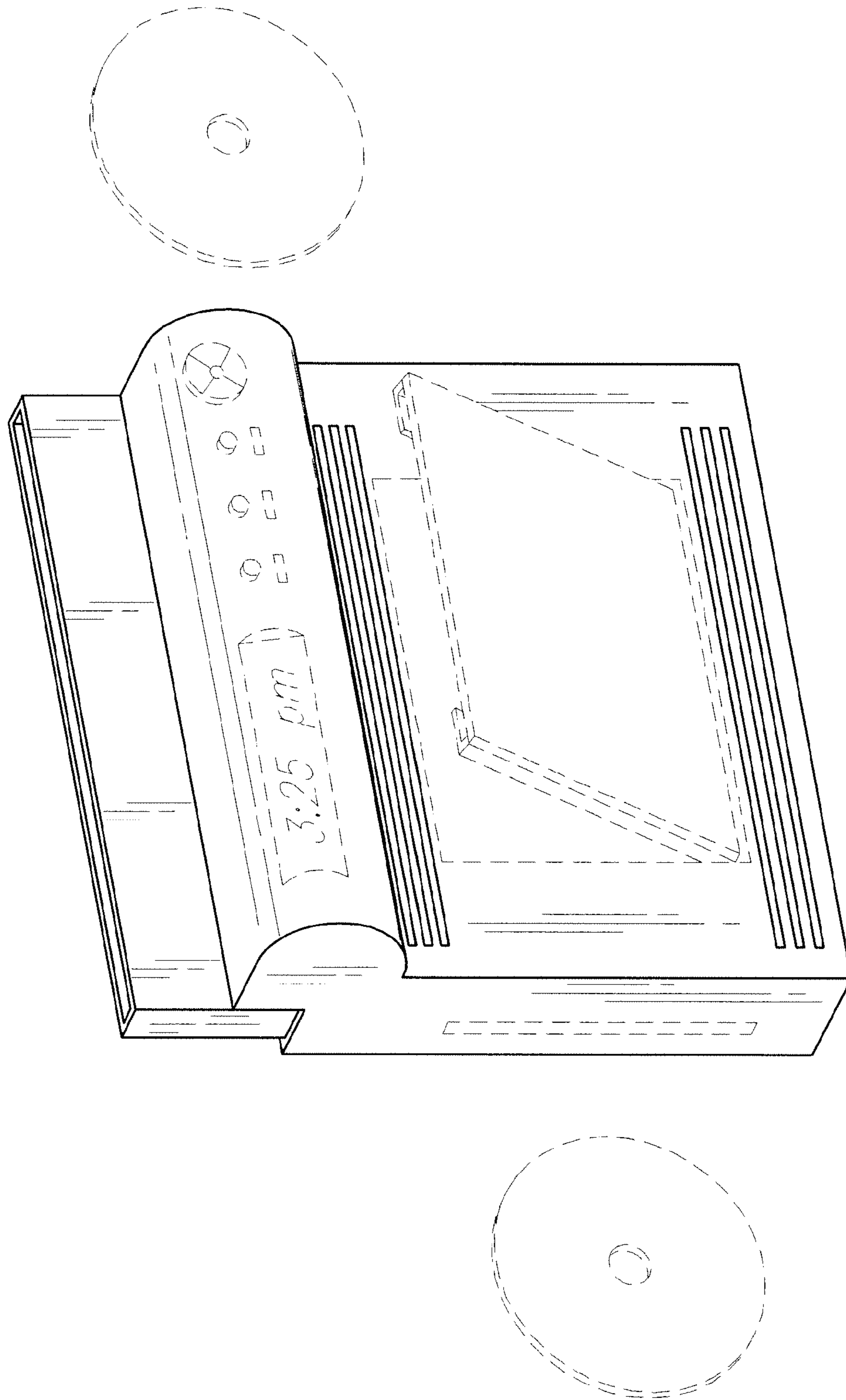


FIG. 8