



US00D580893S

(12) **United States Design Patent**  
**Im**

(10) **Patent No.:** **US D580,893 S**

(45) **Date of Patent:** **\*\* Nov. 18, 2008**

- (54) **LIGHT-EMITTING DIODE (LED)**
- (75) Inventor: **Hyeong Seok Im**, Gwangsan-gu (KR)
- (73) Assignee: **LG Innotek Co., Ltd**, Seoul (KR)
- (\*\*) Term: **14 Years**
- (21) Appl. No.: **29/299,172**
- (22) Filed: **Dec. 20, 2007**

7,242,035 B2 \* 7/2007 Kim et al. .... 257/99  
 D549,187 S \* 8/2007 Park et al. .... D13/180  
 D551,181 S \* 9/2007 Son ..... D13/180  
 D558,693 S \* 1/2008 Shin et al. .... D13/180  
 D566,664 S \* 4/2008 Kong ..... D13/180  
 2006/0023451 A1 \* 2/2006 Han et al. .... 362/249

\* cited by examiner

*Primary Examiner*—Selina Sikder

(74) *Attorney, Agent, or Firm*—Saliwanchik, Lloyd & Salinwanchik

- (30) **Foreign Application Priority Data**
- Jun. 20, 2007 (KR) ..... 30-2007-0026619

(57) **CLAIM**

The ornamental design for a light-emitting diode (LED), as shown and described.

- (51) **LOC (8) Cl.** ..... **13-03**
- (52) **U.S. Cl.** ..... **D13/180**
- (58) **Field of Classification Search** ..... D13/180;  
 D26/2; 257/79, 80, 81, 88, 89, 95, 98, 99,  
 257/100; 313/483, 498, 500; 362/555, 800  
 See application file for complete search history.

**DESCRIPTION**

FIG. 1 is a front, right perspective of the light-emitting diode (LED) showing my new design;  
 FIG. 2 is a front view thereof;  
 FIG. 3 is a rear view thereof;  
 FIG. 4 is a left side view thereof, the right side view being a mirror image thereof;  
 FIG. 5 is a top plan view thereof; and,  
 FIG. 6 is a bottom plan view thereof.

- (56) **References Cited**
- U.S. PATENT DOCUMENTS
- D501,831 S \* 2/2005 Ishida ..... D13/180
- D512,693 S \* 12/2005 Kim et al. .... D13/180
- D534,132 S \* 12/2006 Yoon ..... D13/180
- D538,760 S \* 3/2007 Song et al. .... D13/180

**1 Claim, 2 Drawing Sheets**

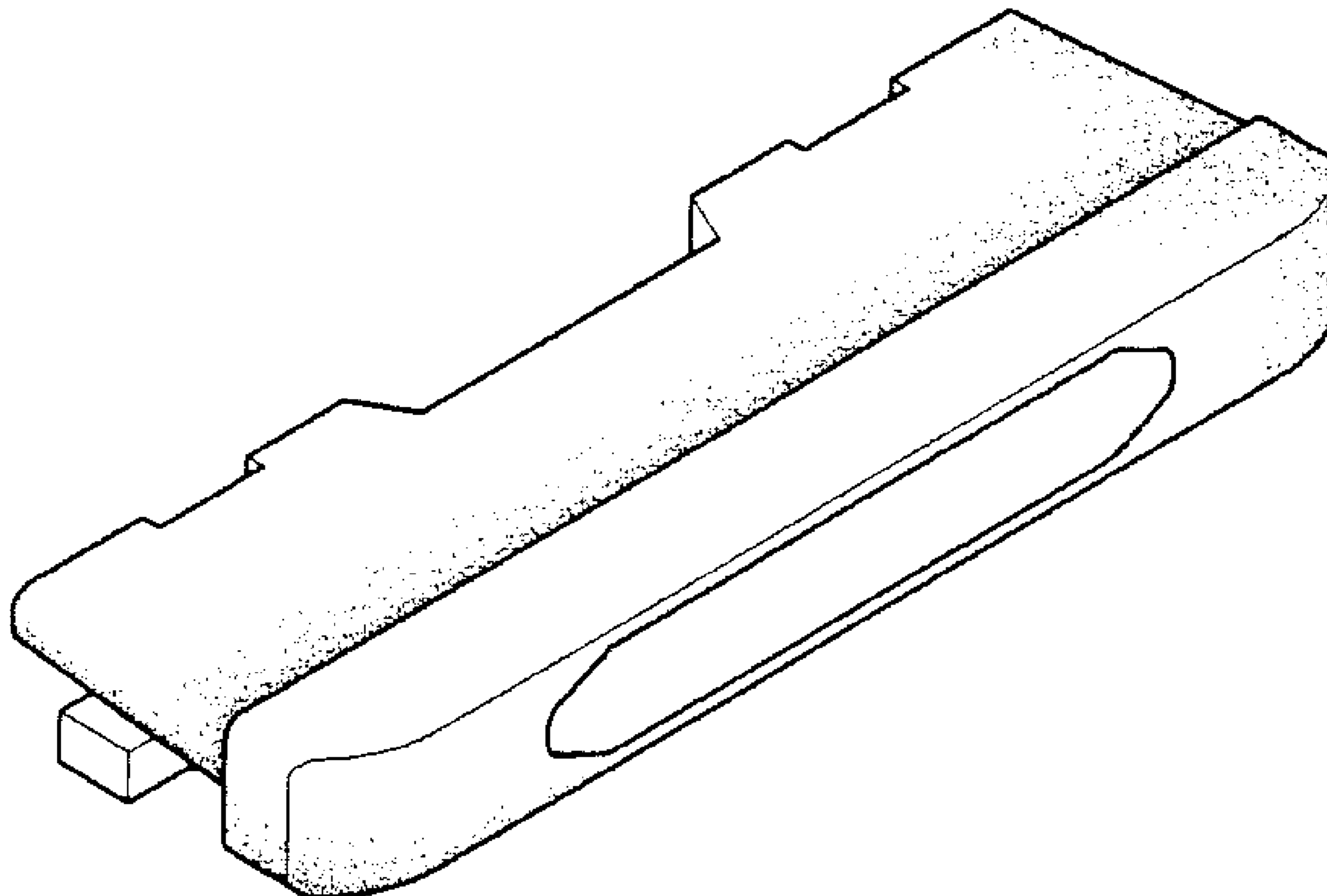


FIG. 1

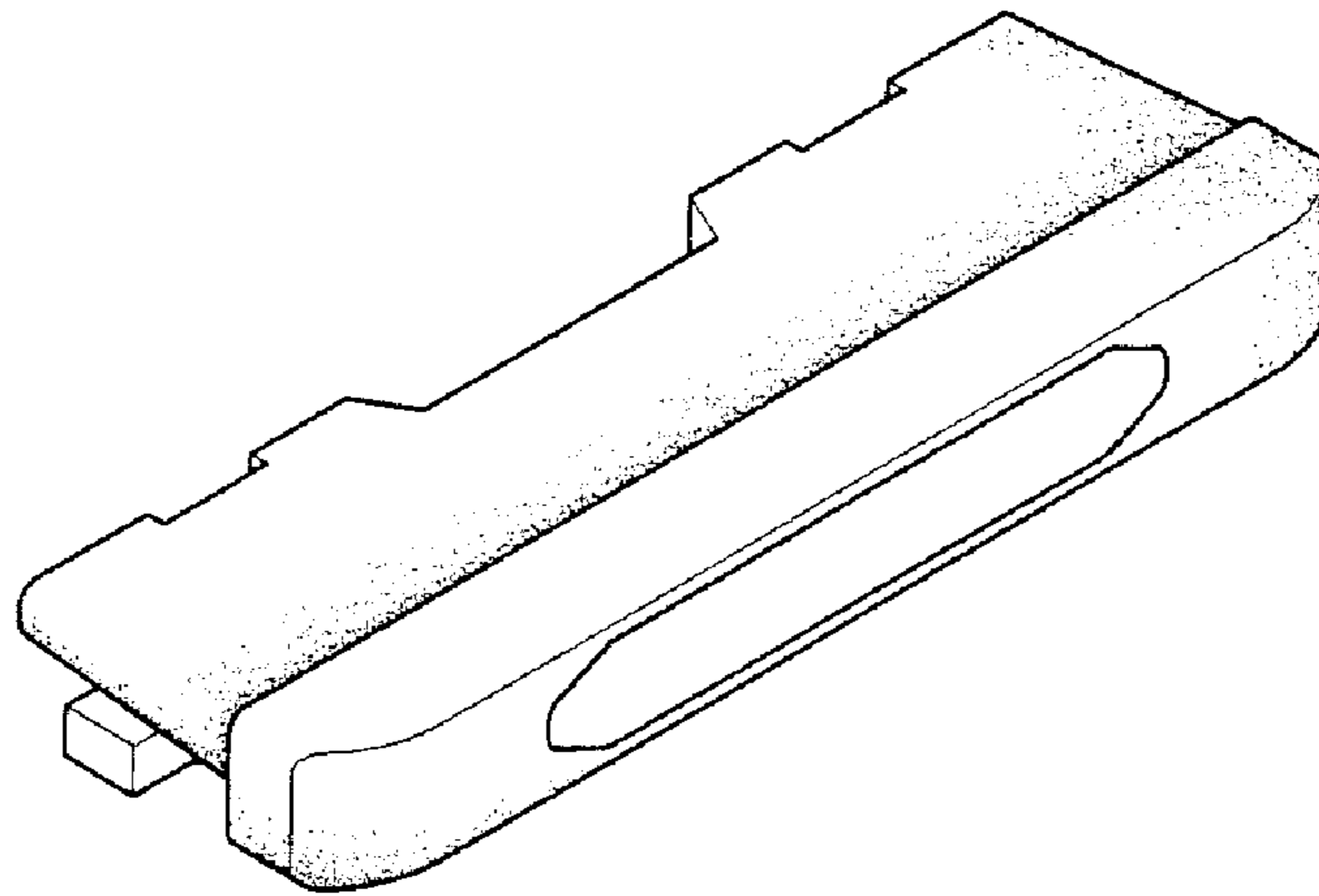


FIG. 2

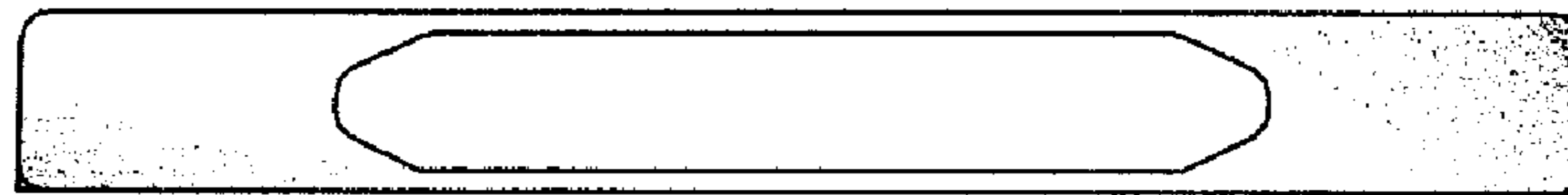
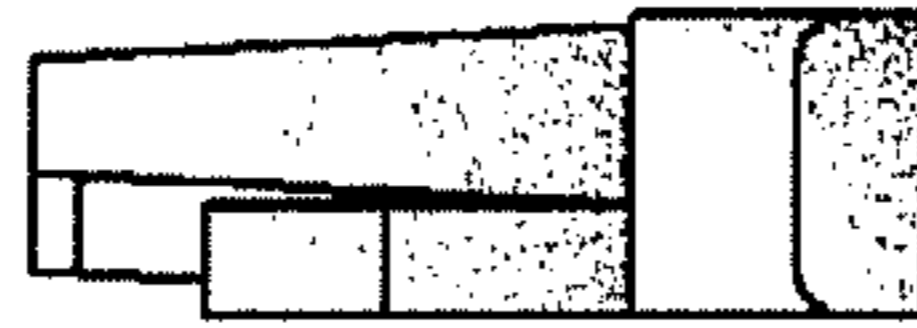
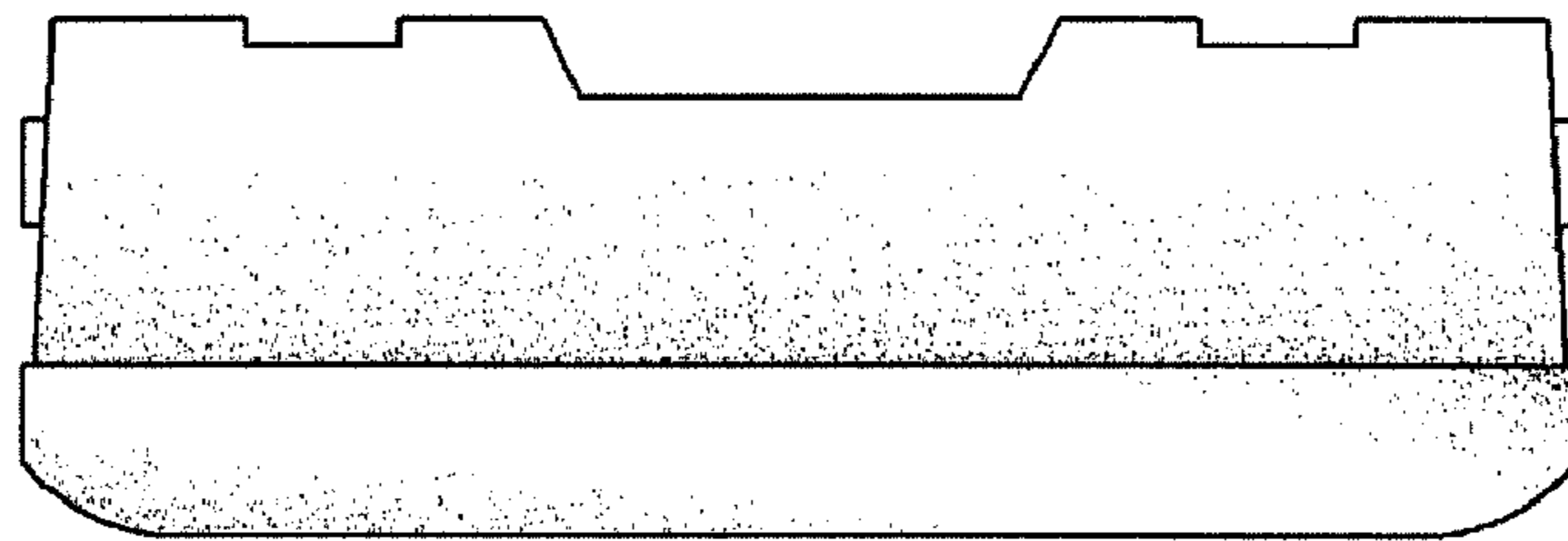


FIG. 3

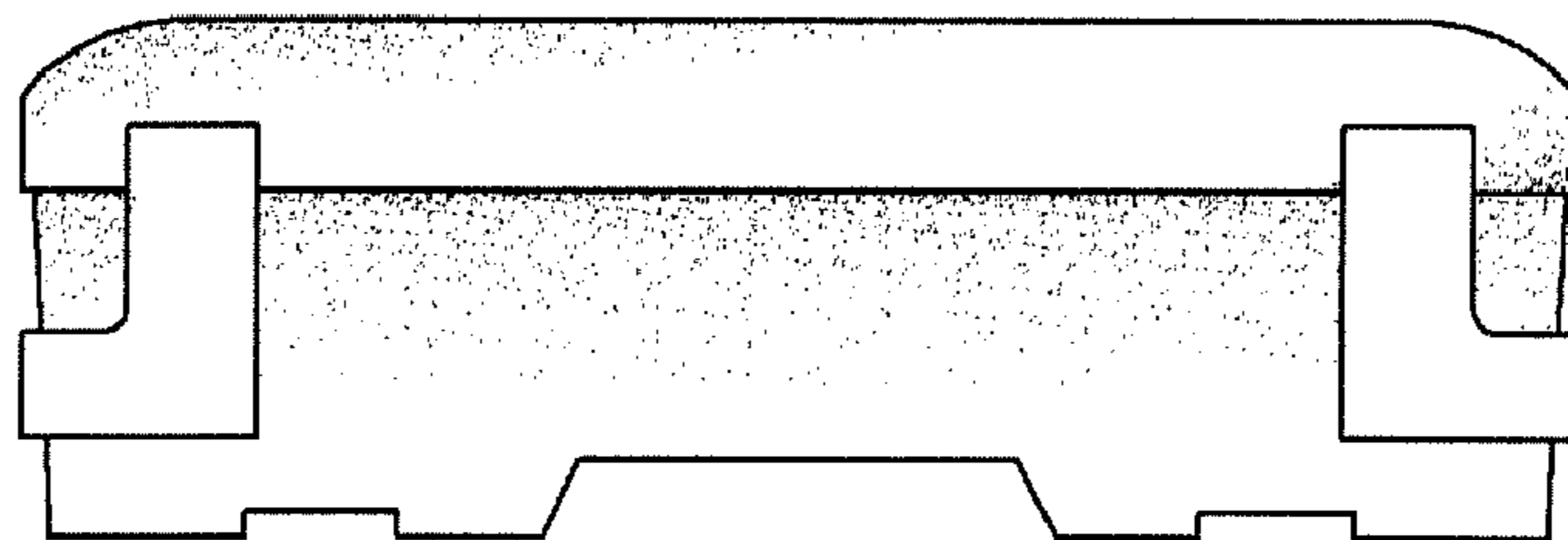




**FIG. 4**



**FIG. 5**



**FIG. 6**