



US00D580891S

(12) **United States Design Patent**
Sung et al.

(10) **Patent No.:** **US D580,891 S**

(45) **Date of Patent:** **** Nov. 18, 2008**

(54) **LIGHT EMITTING DIODE**

(75) Inventors: **Jae-Hoon Sung**, Seoul (KR); **Kham Lee**, Pyeongtaek-si (KR)

(73) Assignee: **Alti-Electronics Co. Ltd.**, Gyeonggi-do (KR)

(**) Term: **14 Years**

(21) Appl. No.: **29/290,808**

(22) Filed: **Jan. 16, 2008**

(30) **Foreign Application Priority Data**

Jul. 20, 2007 (KR) 30-2007-0031352

(51) **LOC (8) Cl.** **13-03**

(52) **U.S. Cl.** **D13/180**

(58) **Field of Classification Search** D13/180;
D26/2; 257/79, 80, 81, 88, 89, 95, 98, 99,
257/100; 313/483, 498, 500; 362/555, 800
See application file for complete search history.

(56) **References Cited**

U.S. PATENT DOCUMENTS

D517,025 S * 3/2006 Asakawa D13/180
7,081,661 B2 * 7/2006 Takehara et al. 257/433
7,279,723 B2 * 10/2007 Matsumura et al. 257/100
D562,272 S * 2/2008 Su et al. D13/180
D566,055 S * 4/2008 Kim D13/180

D568,835 S * 5/2008 Nishida et al. D13/180
2005/0127816 A1 * 6/2005 Sumitani 313/498
2005/0167682 A1 * 8/2005 Fukasawa 257/79
2006/0163602 A1 * 7/2006 Isokawa 257/100
2006/0220050 A1 * 10/2006 Higaki et al. 257/99
2007/0063213 A1 * 3/2007 Hsieh et al. 257/99
2007/0096114 A1 * 5/2007 Aoki et al. 257/79

* cited by examiner

Primary Examiner—Selina Sikder

(74) *Attorney, Agent, or Firm*—The Nath Law Group; Jerald L. Meyer; Derek Richmond

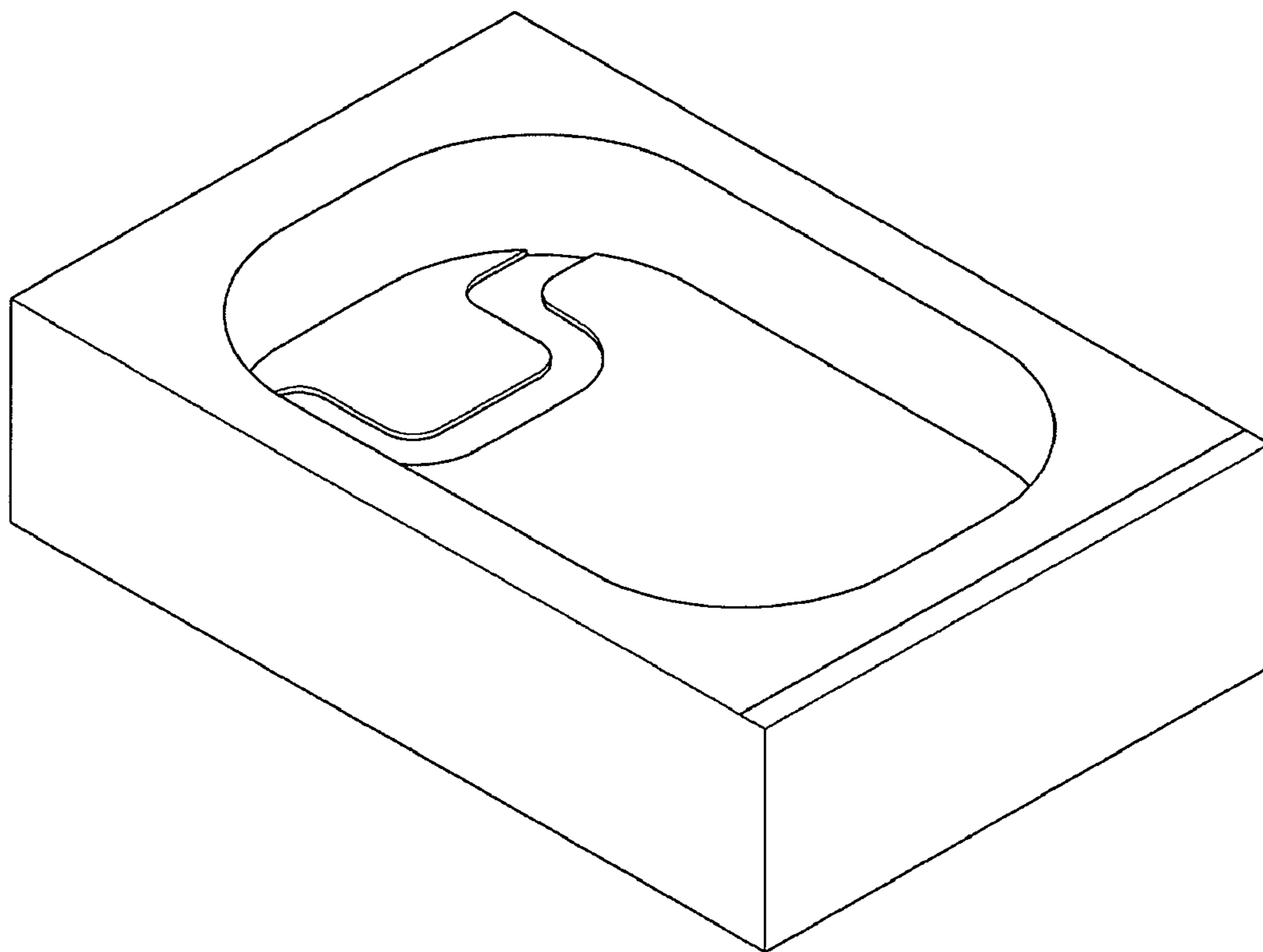
(57) **CLAIM**

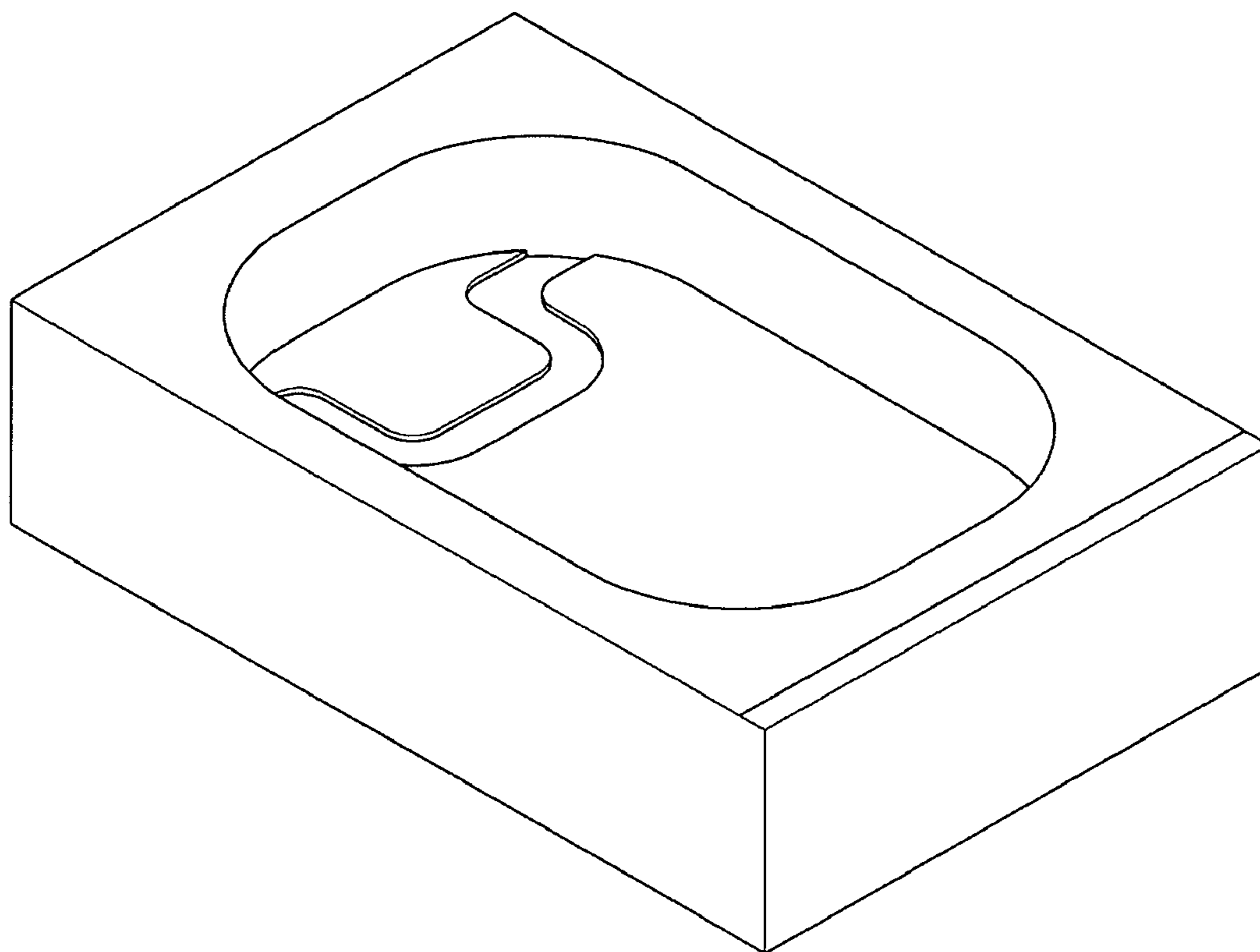
The ornamental design for a light emitting diode, as shown and described.

DESCRIPTION

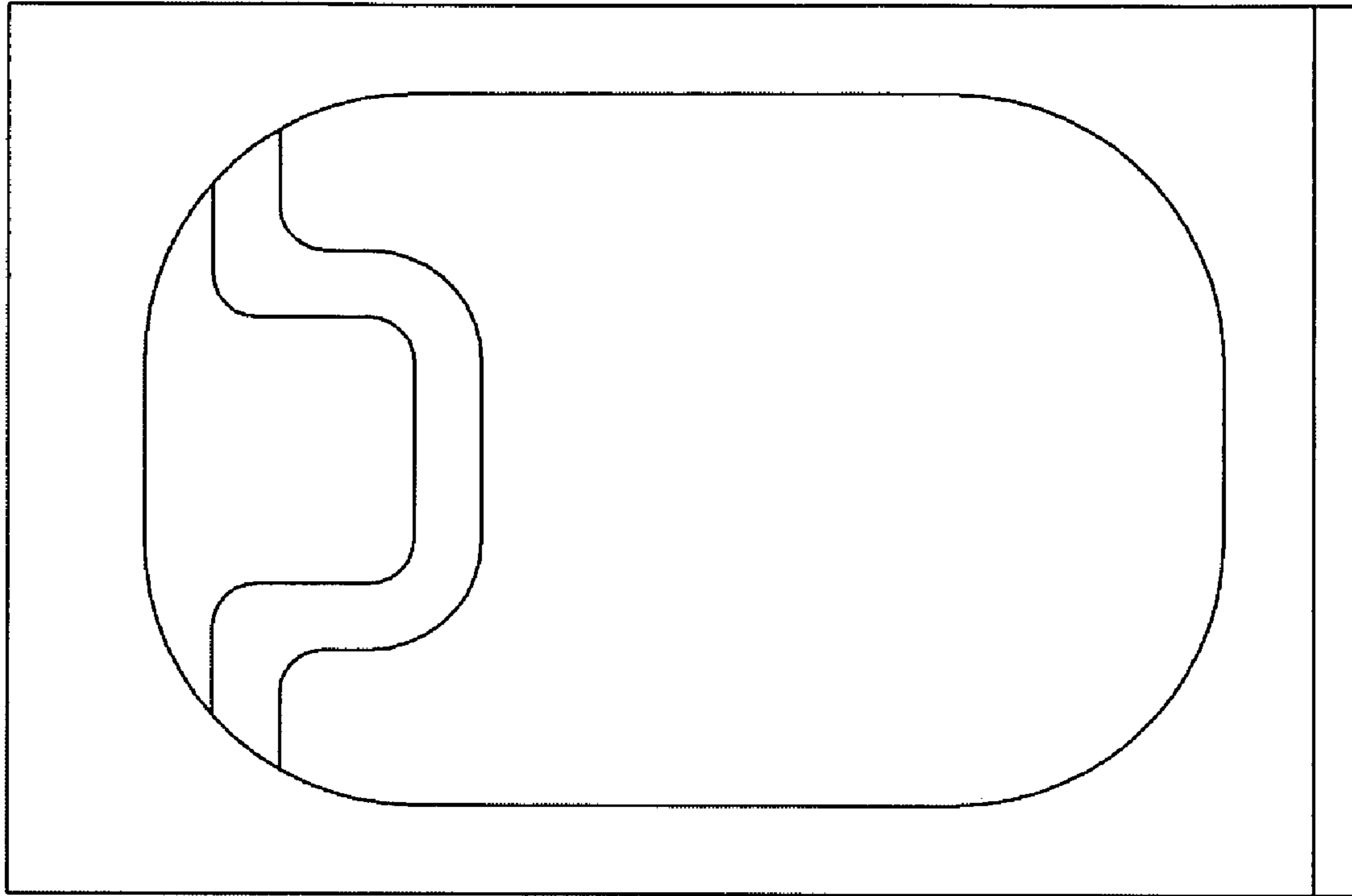
FIG. 1 is a front perspective view of the light emitting diode; FIG. 2 is a front elevational view of the light emitting diode; FIG. 3 is a rear elevational view of the light emitting diode; FIG. 4 is a left side elevational view of the light emitting diode; FIG. 5 is a right side elevational view of the light emitting diode; FIG. 6 is a top plan view of the light emitting diode; and, FIG. 7 is a bottom plan view of the light emitting diode.

1 Claim, 7 Drawing Sheets

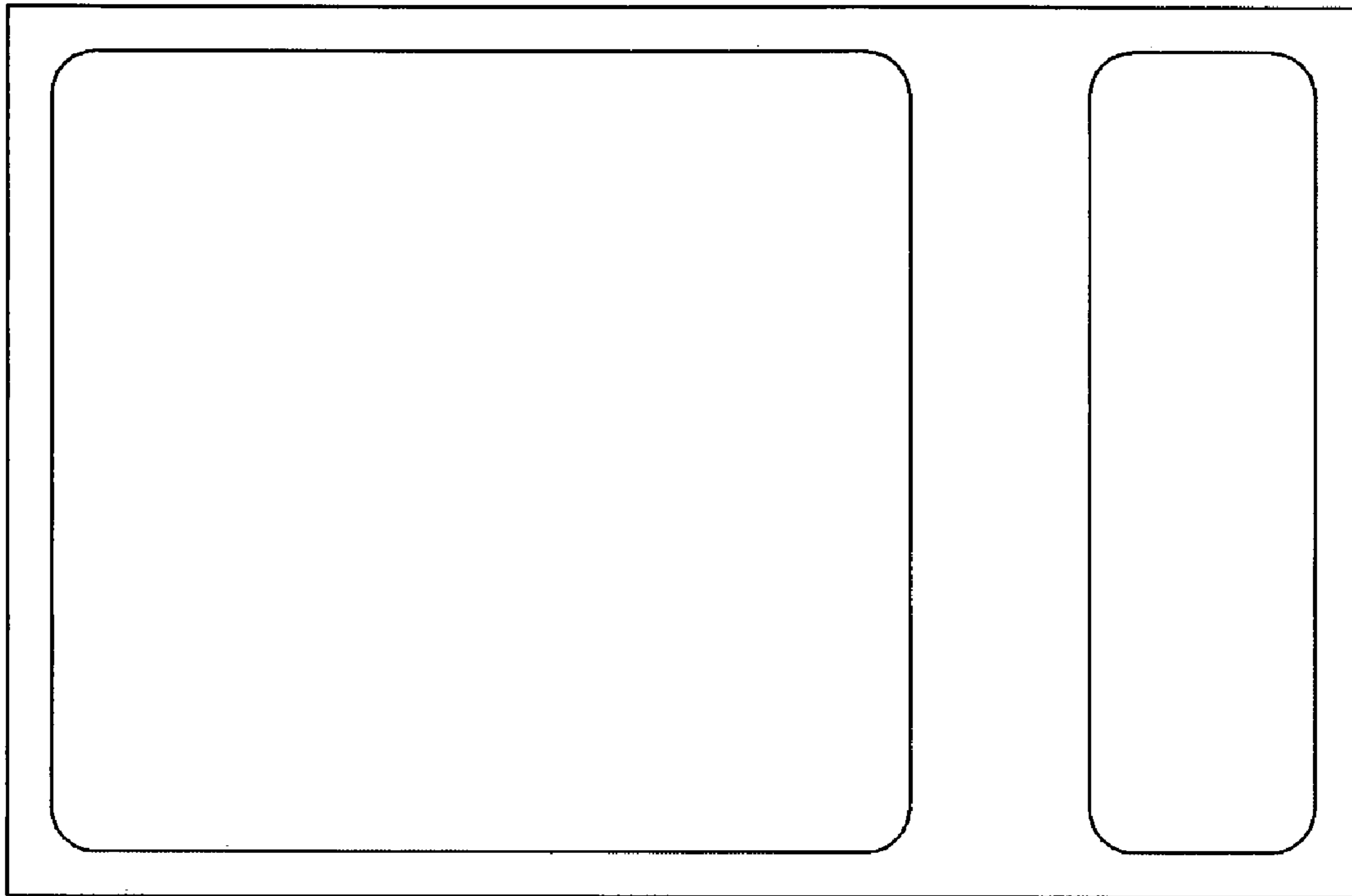




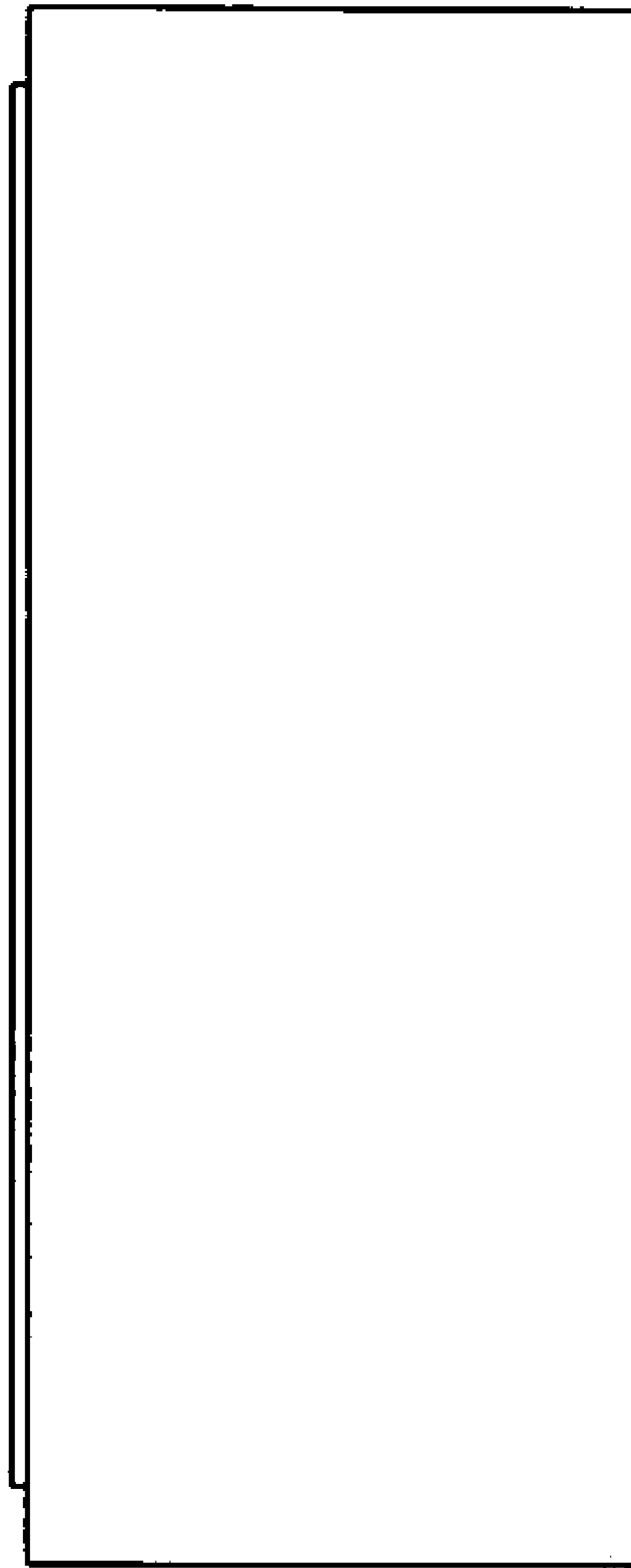
【Fig. 1】



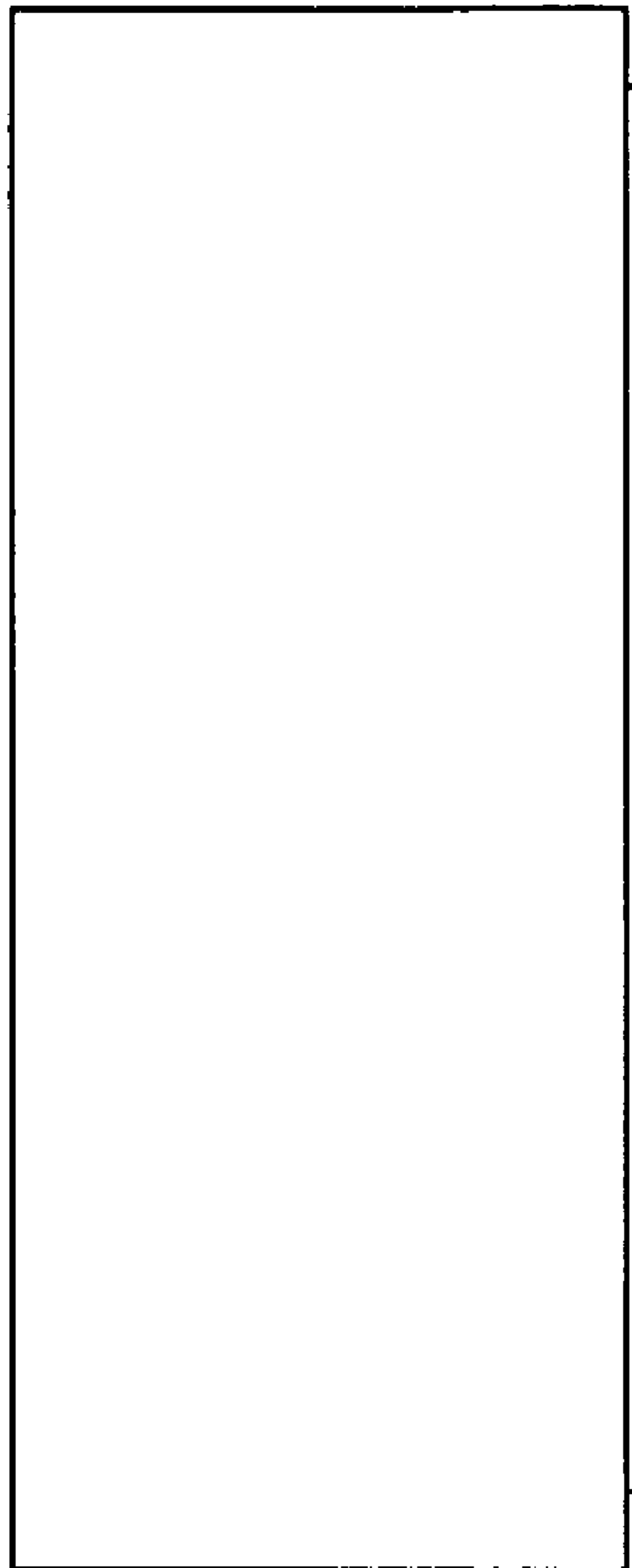
【Fig. 2】



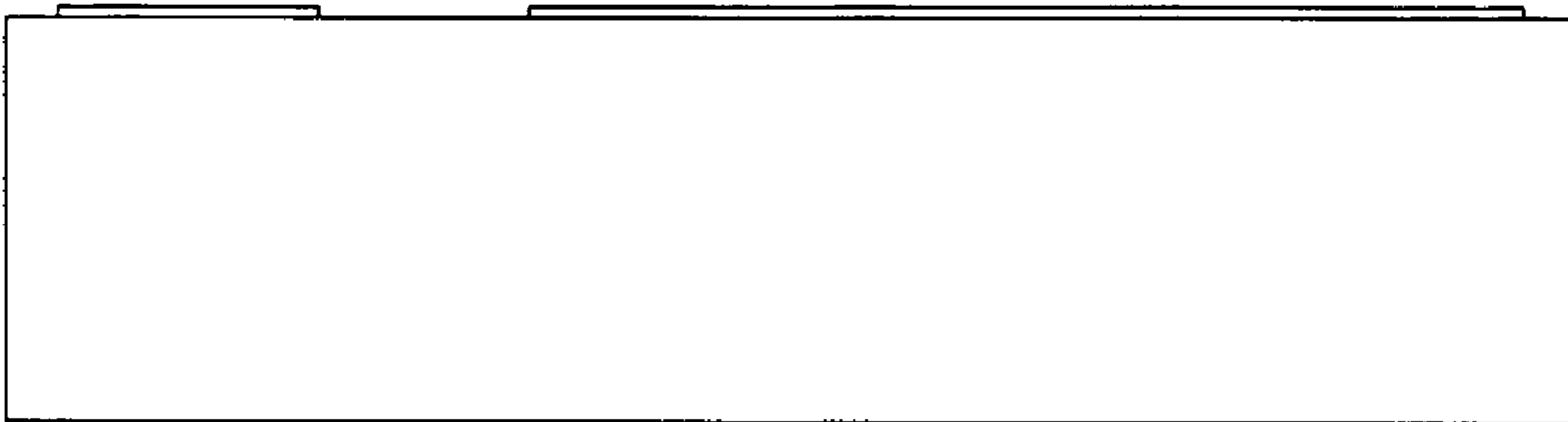
【Fig. 3】



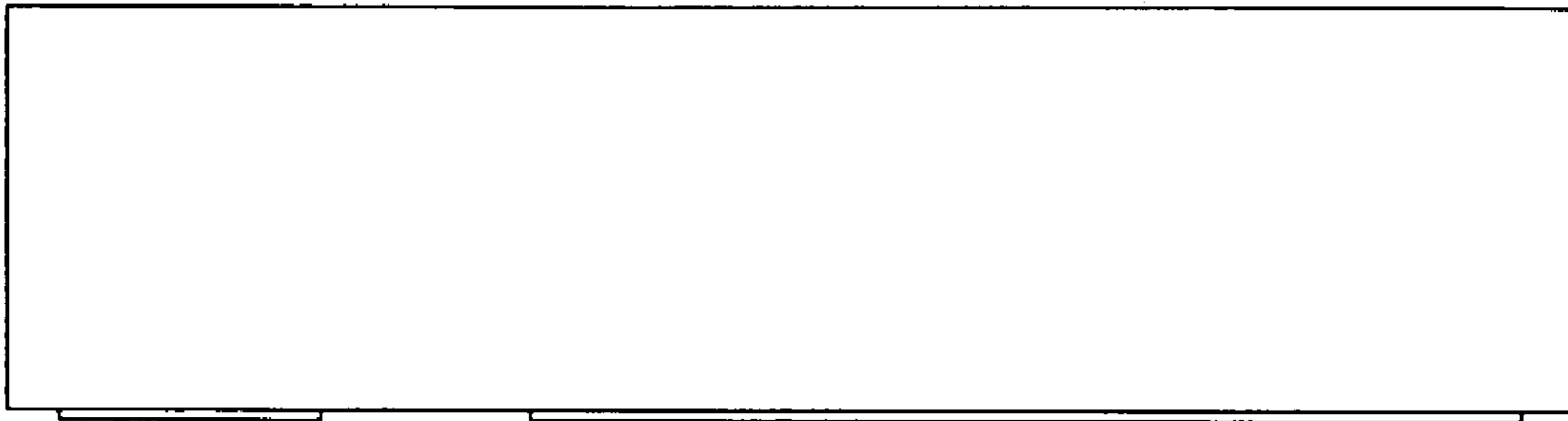
【Fig. 4】



【Fig. 5】



【Fig. 6】



【Fig. 7】