



US00D580890S

(12) **United States Design Patent**  
**Uemoto et al.**

(10) **Patent No.:** **US D580,890 S**  
(45) **Date of Patent:** **\*\* Nov. 18, 2008**

(54) **LIGHT SOURCE OF LIGHT-EMITTING DIODE**

(75) Inventors: **Takaari Uemoto**, Kadoma (JP); **Keiji Nishimoto**, Kadoma (JP); **Satoshi Shida**, Kadoma (JP); **Hiroyuki Naito**, Kadoma (JP)

(73) Assignee: **Panasonic Corporation**, Osaka (JP)

(\*\*) Term: **14 Years**

(21) Appl. No.: **29/283,241**

(22) Filed: **Aug. 8, 2007**

(30) **Foreign Application Priority Data**

Feb. 9, 2007 (JP) ..... 2007-003130

(51) **LOC (8) Cl.** ..... **13-03**

(52) **U.S. Cl.** ..... **D13/180**

(58) **Field of Classification Search** ..... D13/180;  
D26/1, 2, 24; 257/79, 80, 81, 88, 89, 95,  
257/98, 99, 100; 313/483, 498, 500; 362/555,  
362/800; 347/130

See application file for complete search history.

(56) **References Cited**

**U.S. PATENT DOCUMENTS**

- 5,218,663 A \* 6/1993 Isono et al. .... 385/129
- 5,729,269 A \* 3/1998 Ohnishi et al. .... 347/130
- 6,137,221 A \* 10/2000 Roitman et al. .... 313/504
- 6,420,734 B1 \* 7/2002 Ishimaru ..... 257/91
- 6,552,364 B2 \* 4/2003 Beck et al. .... 257/79
- 6,555,403 B1 \* 4/2003 Domen et al. .... 438/22
- 6,621,213 B2 \* 9/2003 Kawashima ..... 313/506
- D499,075 S \* 11/2004 Yoon et al. .... D13/180
- 7,271,534 B2 \* 9/2007 Padiyath et al. .... 313/504
- D565,207 S \* 3/2008 Uemoto et al. .... D26/24
- D565,753 S \* 4/2008 Uemoto et al. .... D26/24
- 2002/0057324 A1 \* 5/2002 Vackier et al. .... 347/130
- 2002/0071082 A1 \* 6/2002 Okita et al. .... 349/145
- 2004/0095455 A1 \* 5/2004 Ishida et al. .... 347/130
- 2006/0166386 A1 \* 7/2006 Yamada et al. .... 438/22

- 2007/0003202 A1 \* 1/2007 Iio et al. .... 385/132
- 2007/0045637 A1 \* 3/2007 Behfar et al. .... 257/79
- 2007/0131939 A1 \* 6/2007 Kohda ..... 257/79
- 2007/0170441 A1 \* 7/2007 Takizawa et al. .... 257/79
- 2007/0170442 A1 \* 7/2007 Hata et al. .... 257/79
- 2007/0176185 A1 \* 8/2007 Lee et al. .... 257/79
- 2007/0210322 A1 \* 9/2007 Ohsawa et al. .... 257/79
- 2007/0235740 A1 \* 10/2007 Lee et al. .... 257/79

**FOREIGN PATENT DOCUMENTS**

JP 2006-295085 A 10/2006

**OTHER PUBLICATIONS**

Uemoto et al., U.S. Design Application entitled "Light Source of Light-Emitting Diode," U.S. Appl. No. 29/283,237, filed Aug. 8, 2007.

Uemoto et al., U.S. Design Application entitled "Light Source of Light-Emitting Diode," U.S. Appl. No. 29/283,240, filed Aug. 8, 2007.

Uemoto et al., U.S. Design Application entitled "Light Source of Light-Emitting Diode," U.S. Appl. No. 29/283,242, filed Aug. 8, 2007.

\* cited by examiner

*Primary Examiner*—Selina Sikder

(74) *Attorney, Agent, or Firm*—Brinks Hofer Gilson & Lione

(57) **CLAIM**

We claim the ornamental design for a light source of light-emitting diode, as shown and described.

**DESCRIPTION**

FIG. 1 is a top perspective view of a light source of light-emitting diode of the present invention;

FIG. 2 is a front view thereof;

FIG. 3 is a rear view thereof;

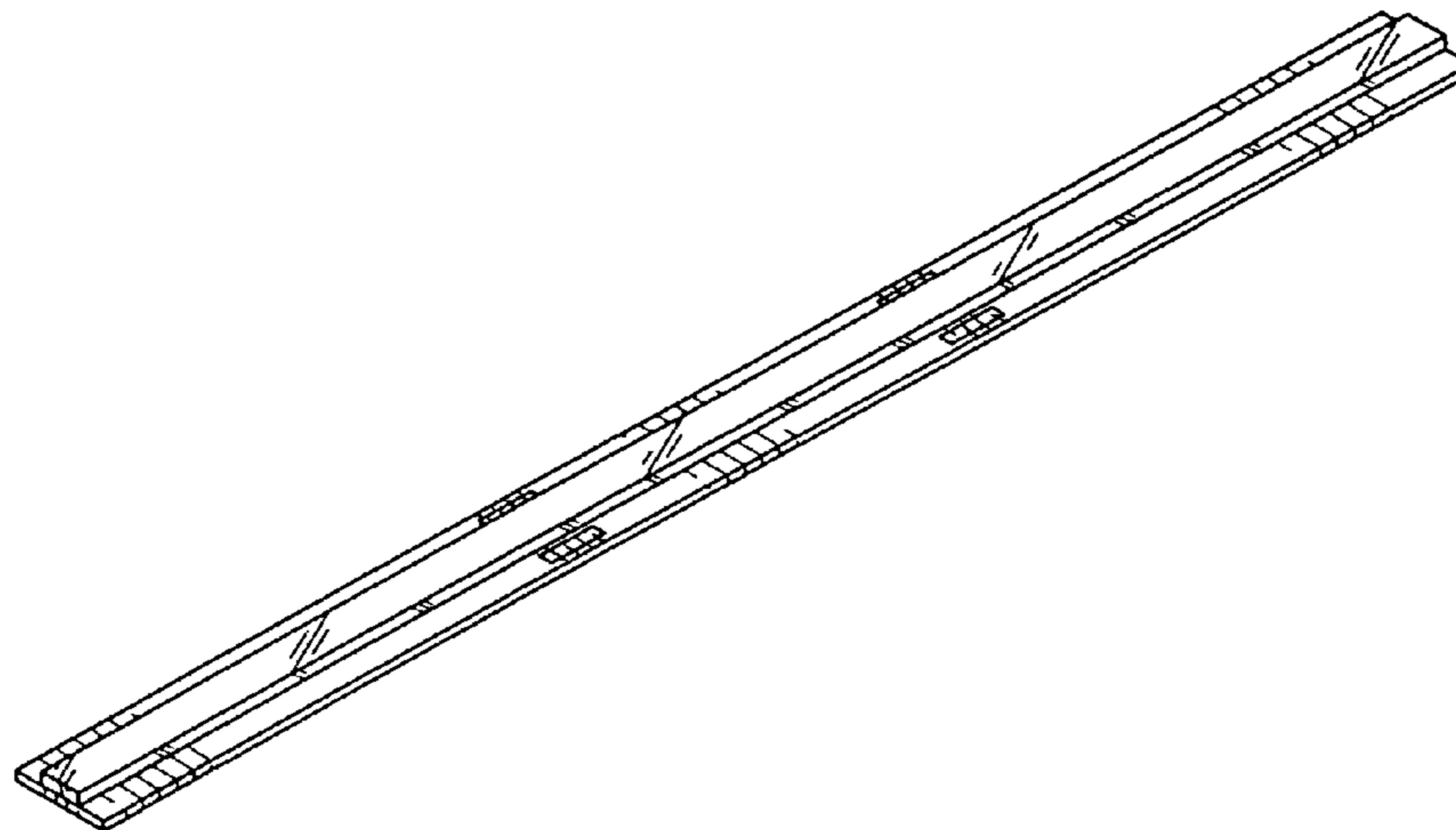
FIG. 4 is a first side view thereof;

FIG. 5 is a second side view thereof;

FIG. 6 is a top view thereof; and,

FIG. 7 is a bottom view thereof.

**1 Claim, 7 Drawing Sheets**



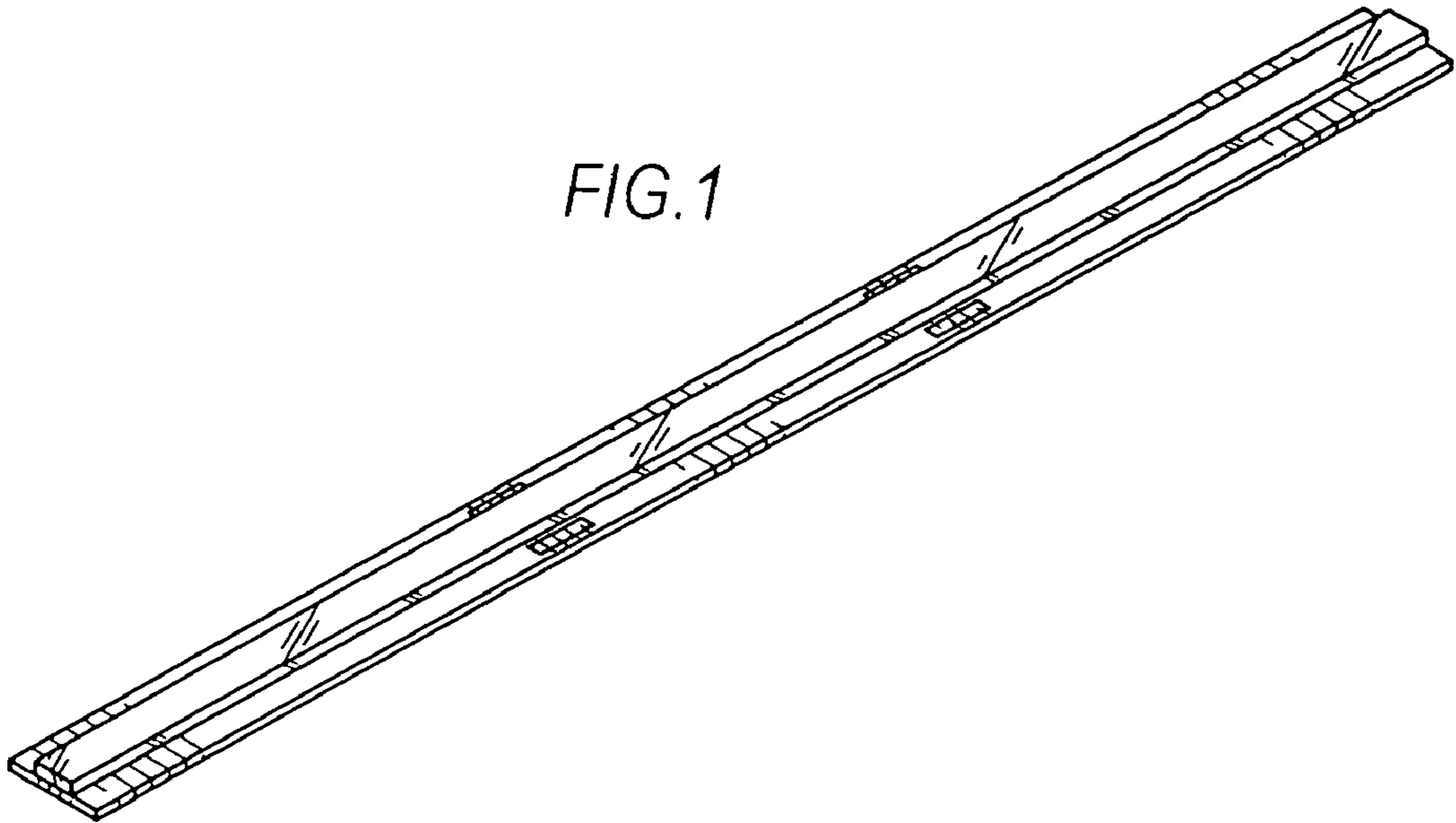


FIG. 1

FIG. 2



FIG.3



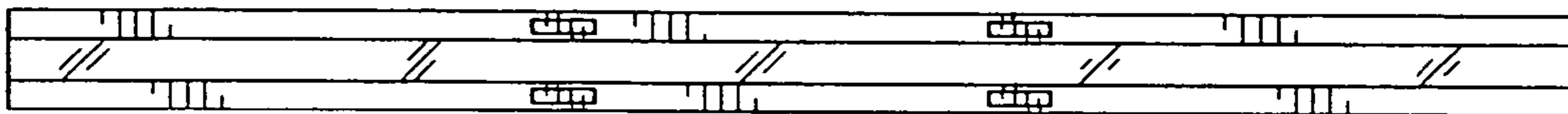
*FIG. 4*



*FIG. 5*



FIG.6



*FIG. 7*

