

US00D580889S

(12) **United States Design Patent**
Uemoto et al.

(10) **Patent No.:** **US D580,889 S**

(45) **Date of Patent:** **** Nov. 18, 2008**

(54) **LIGHT SOURCE OF LIGHT-EMITTING DIODE**

(75) Inventors: **Takaari Uemoto**, Kadoma (JP); **Keiji Nishimoto**, Kadoma (JP); **Satoshi Shida**, Kadoma (JP); **Hiroyuki Naito**, Kadoma (JP)

(73) Assignee: **Panasonic Corporation**, Osaka (JP)

(**) Term: **14 Years**

(21) Appl. No.: **29/283,240**

(22) Filed: **Aug. 8, 2007**

(30) **Foreign Application Priority Data**

Feb. 9, 2007 (JP) 2007-003129

(51) **LOC (8) Cl.** **13-03**

(52) **U.S. Cl.** **D13/180**

(58) **Field of Classification Search** D13/180;
D26/1, 2, 24; 257/79, 80, 81, 88, 89, 95,
257/98, 99, 100; 313/483, 498, 500; 362/555,
362/800; 347/130

See application file for complete search history.

(56) **References Cited**

U.S. PATENT DOCUMENTS

- 5,218,663 A * 6/1993 Isono et al. 385/129
- 5,729,269 A * 3/1998 Ohnishi et al. 347/130
- 6,137,221 A * 10/2000 Roitman et al. 313/504
- 6,420,734 B1 * 7/2002 Ishimaru 257/91
- 6,552,364 B2 * 4/2003 Beck et al. 257/79
- 6,555,403 B1 * 4/2003 Domen et al. 438/22
- 6,621,213 B2 * 9/2003 Kawashima 313/506
- D499,075 S * 11/2004 Yoon et al. D13/180
- 7,271,534 B2 * 9/2007 Padiyath et al. 313/504
- D565,207 S * 3/2008 Uemoto et al. D26/24
- D565,753 S * 4/2008 Uemoto et al. D26/24
- 2002/0057324 A1 * 5/2002 Vackier et al. 347/130
- 2002/0071082 A1 * 6/2002 Okita et al. 349/145
- 2004/0095455 A1 * 5/2004 Ishida et al. 347/130
- 2006/0166386 A1 * 7/2006 Yamada et al. 438/22

- 2007/0003202 A1 * 1/2007 Iio et al. 385/132
- 2007/0045637 A1 * 3/2007 Behfar et al. 257/79
- 2007/0131939 A1 * 6/2007 Kohda 257/79
- 2007/0170441 A1 * 7/2007 Takizawa et al. 257/79
- 2007/0170442 A1 * 7/2007 Hata et al. 257/79
- 2007/0176185 A1 * 8/2007 Lee et al. 257/79
- 2007/0210322 A1 * 9/2007 Ohsawa et al. 257/79
- 2007/0235740 A1 * 10/2007 Lee et al. 257/79

FOREIGN PATENT DOCUMENTS

JP 2006-295085 A 10/2006

OTHER PUBLICATIONS

Uemoto et al., U.S. Design Application entitled "Light Source of Light-Emitting Diode," U.S. Appl. No. 29/283,237, filed Aug. 8, 2007.

Uemoto et al., U.S. Design Application entitled "Light Source of Light-Emitting Diode," U.S. Appl. No. 29/283,241, filed Aug. 8, 2007.

Uemoto et al., U.S. Design Application entitled "Light Source of Light-Emitting Diode," U.S. Appl. No. 29/283,242, filed Aug. 8, 2007.

* cited by examiner

Primary Examiner—Selina Sikder

(74) *Attorney, Agent, or Firm*—Brinks Hofer Gilson & Lione

(57) **CLAIM**

We claim the ornamental design for a light source of light-emitting diode, as shown and described.

DESCRIPTION

FIG. 1 is a top perspective view of a light source of light-emitting diode of the present invention;

FIG. 2 is a front view thereof;

FIG. 3 is a rear view thereof;

FIG. 4 is a first side view thereof;

FIG. 5 is a second side view thereof;

FIG. 6 is a top view thereof; and,

FIG. 7 is a bottom view thereof.

1 Claim, 7 Drawing Sheets

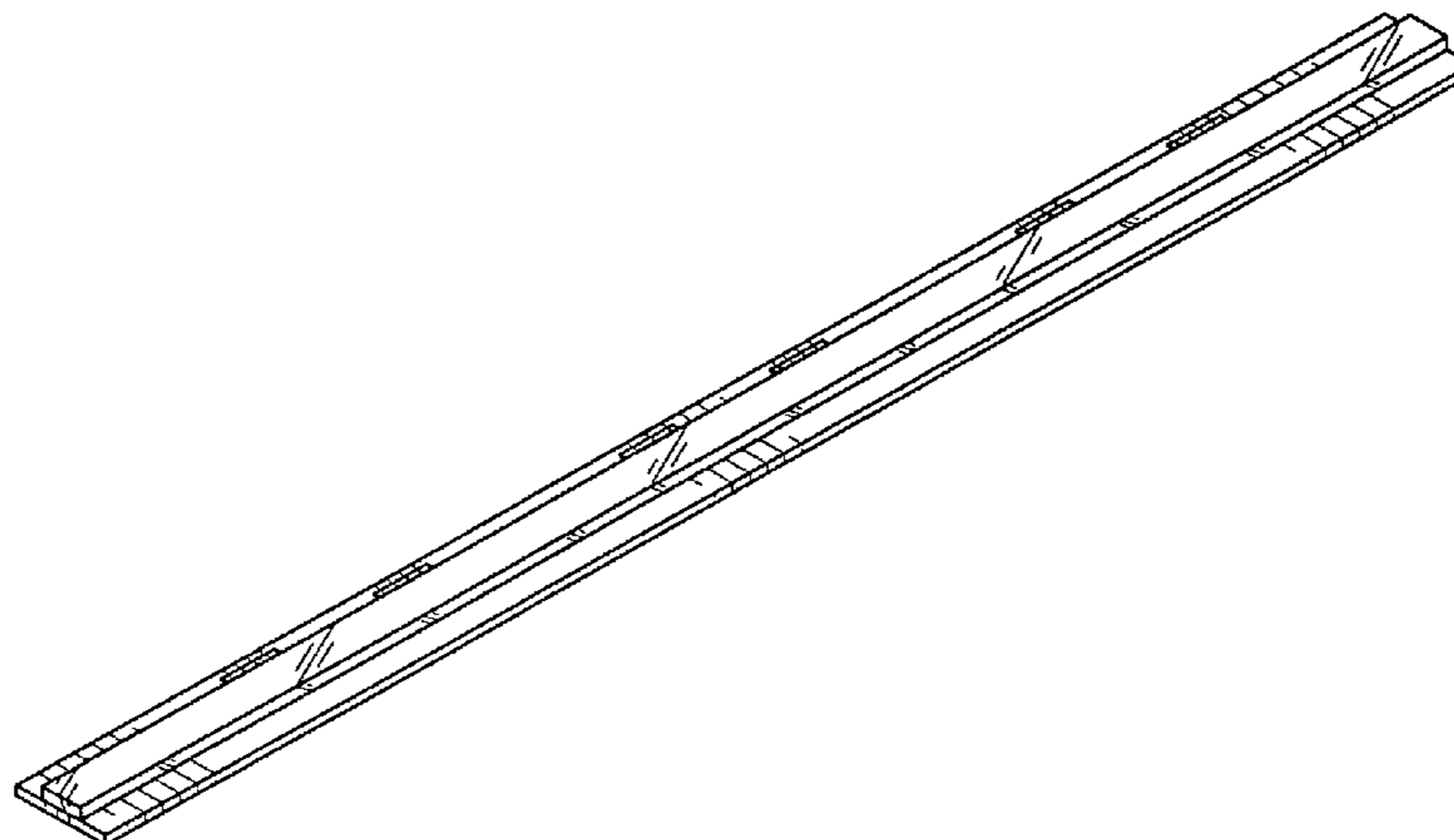


FIG.1

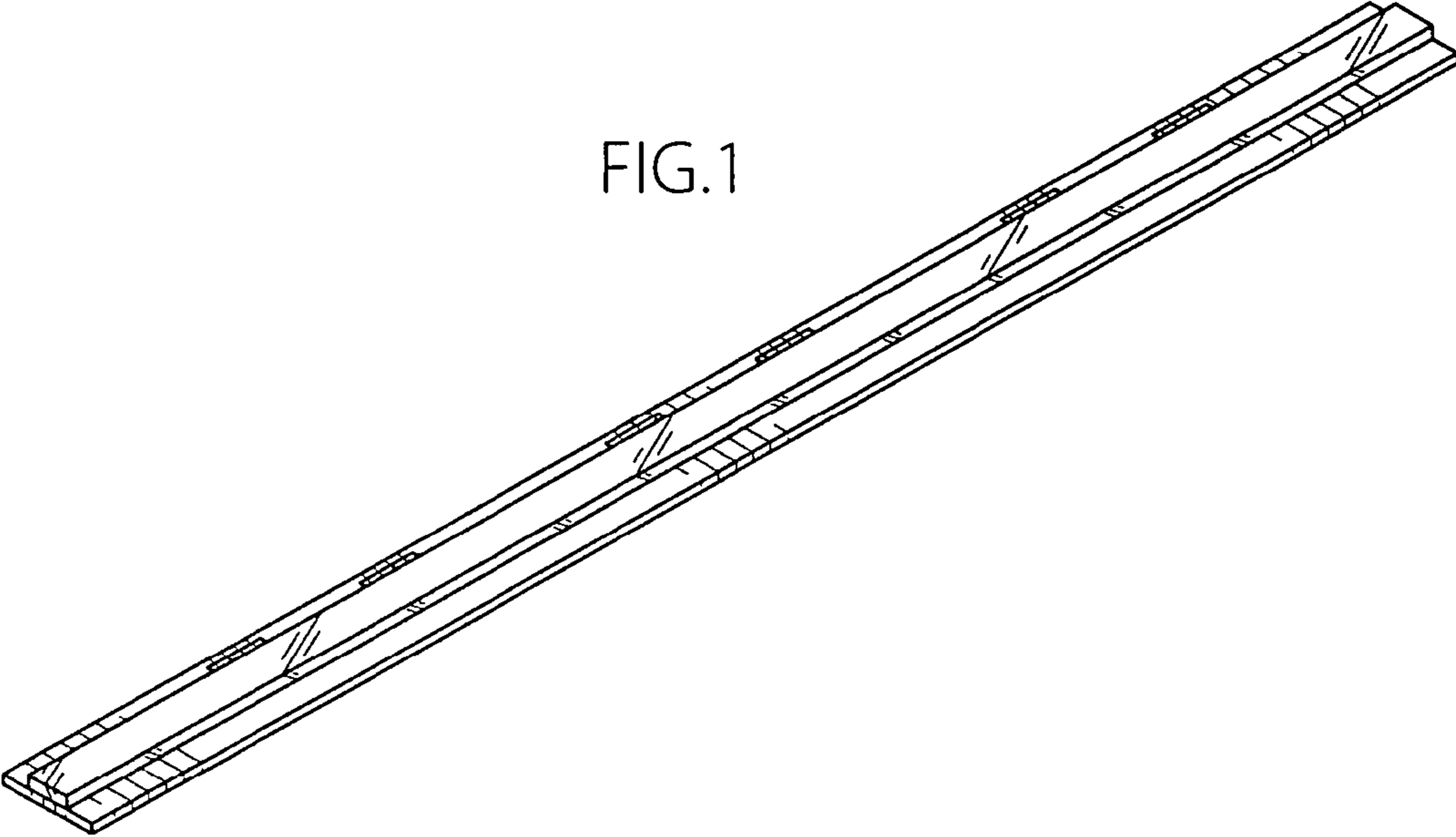


FIG. 2

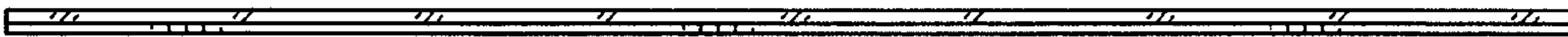


FIG.3

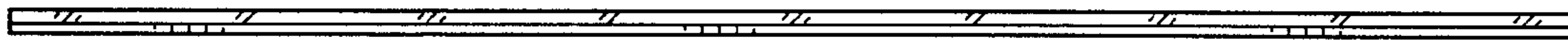


FIG. 4



FIG. 5



FIG.6

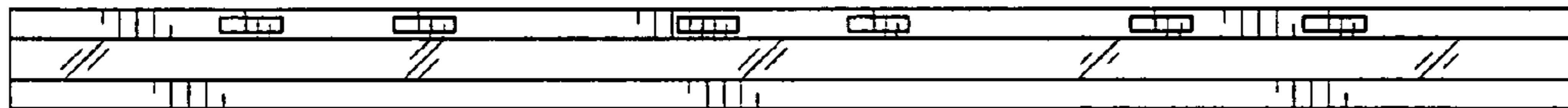


FIG. 7

