



US00D580888S

(12) **United States Design Patent**
Liu

(10) **Patent No.:** **US D580,888 S**
(45) **Date of Patent:** **** Nov. 18, 2008**

(54) **LIGHT EMITTING DIODE DEVICE WITH ELECTRODE**

D521,952 S * 5/2006 Yamada et al. D13/182
* cited by examiner

(75) Inventor: **Wen-Huang Liu**, Bei-Shan Village (TW)

Primary Examiner—Selina Sikder
(74) *Attorney, Agent, or Firm*—Patterson & Sheridan, LLP

(73) Assignee: **Semi-Photonics Co., Ltd.**, Chu-Nan (TW)

(57) **CLAIM**

(**) Term: **14 Years**

The ornamental design for a light emitting diode device, as shown and described.

(21) Appl. No.: **29/246,787**

DESCRIPTION

(22) Filed: **May 9, 2006**

FIG. 1 is a perspective view of a light emitting diode device showing my new design.

(51) **LOC (8) Cl.** **13-03**

FIG. 2 is a top view thereof.

(52) **U.S. Cl.** **D13/180**

FIG. 3 is a front view thereof.

(58) **Field of Classification Search** D13/180,

FIG. 4 is a back view thereof.

D13/182; 257/13, 79, 91, 98, 103; 438/606
See application file for complete search history.

FIG. 5 is a left view thereof.

FIG. 6 is a right view thereof.

(56) **References Cited**

FIG. 7 is a cross-sectional view thereof, taken along line 7—7 in FIG. 3.

U.S. PATENT DOCUMENTS

FIG. 8 is a cross-sectional view thereof, taken along line 8—8 in FIG. 3.

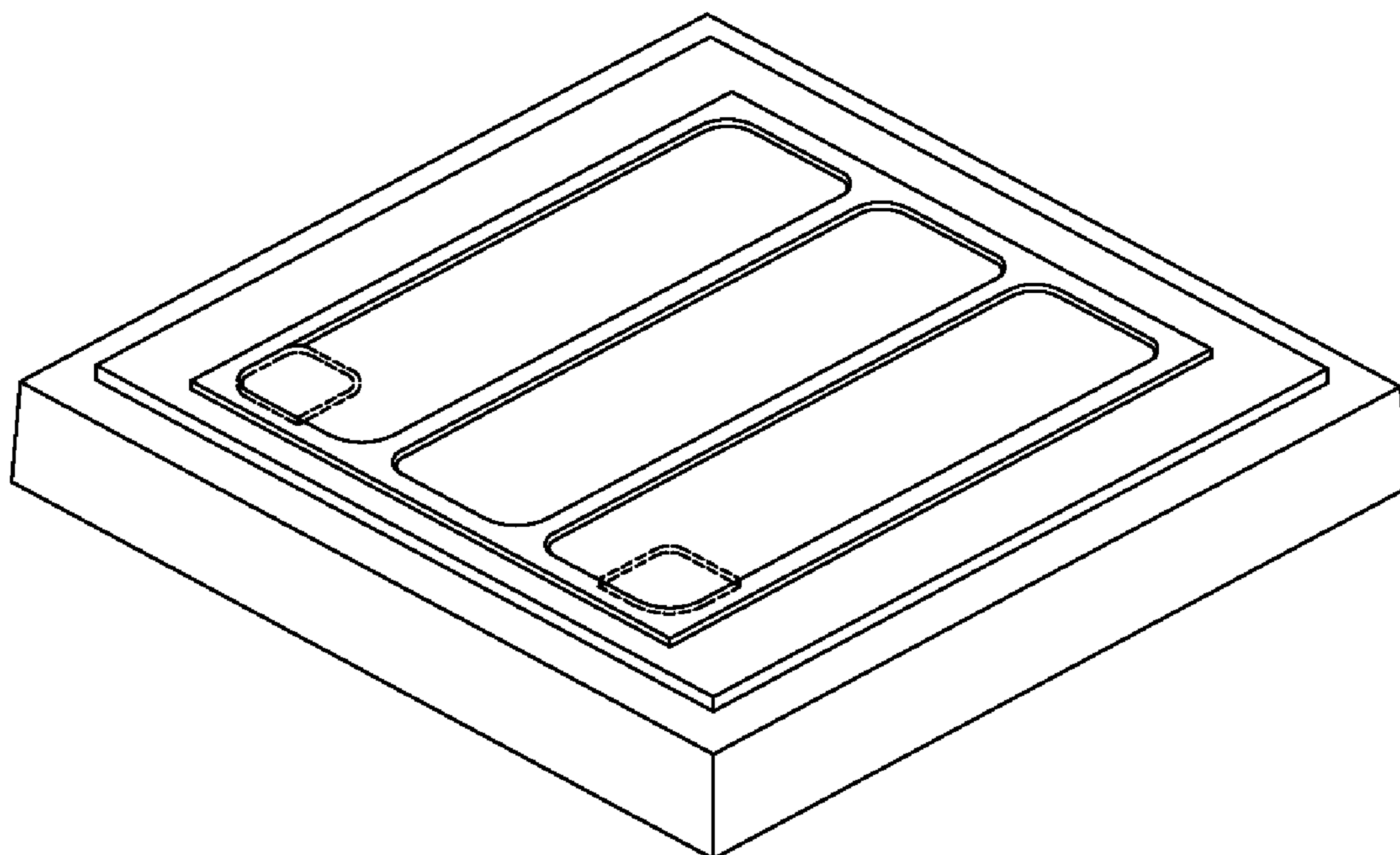
- 5,652,434 A * 7/1997 Nakamura et al. 257/13
- 6,097,040 A * 8/2000 Morimoto et al. 257/91
- 6,153,894 A * 11/2000 Udagawa 257/96
- 6,204,512 B1 * 3/2001 Nakamura et al. 257/13
- 6,281,526 B1 * 8/2001 Nitta et al. 257/103
- 6,287,947 B1 * 9/2001 Ludowise et al. 438/606
- 6,344,665 B1 * 2/2002 Sung et al. 257/91
- 6,495,862 B1 * 12/2002 Okazaki et al. 257/103
- 6,844,571 B2 * 1/2005 Krames et al. 257/81
- 6,847,052 B2 * 1/2005 Fan et al. 257/79

FIG. 9 is a right side view of thereof; the left side view is a mirror image of the right side view; and,

FIG. 10 is a front view of thereof; the back side view is a mirror image of the front side view.

It will be understood that the dashed lines presented in the drawings are for illustration only, and do not form a part of the claimed design.

1 Claim, 5 Drawing Sheets



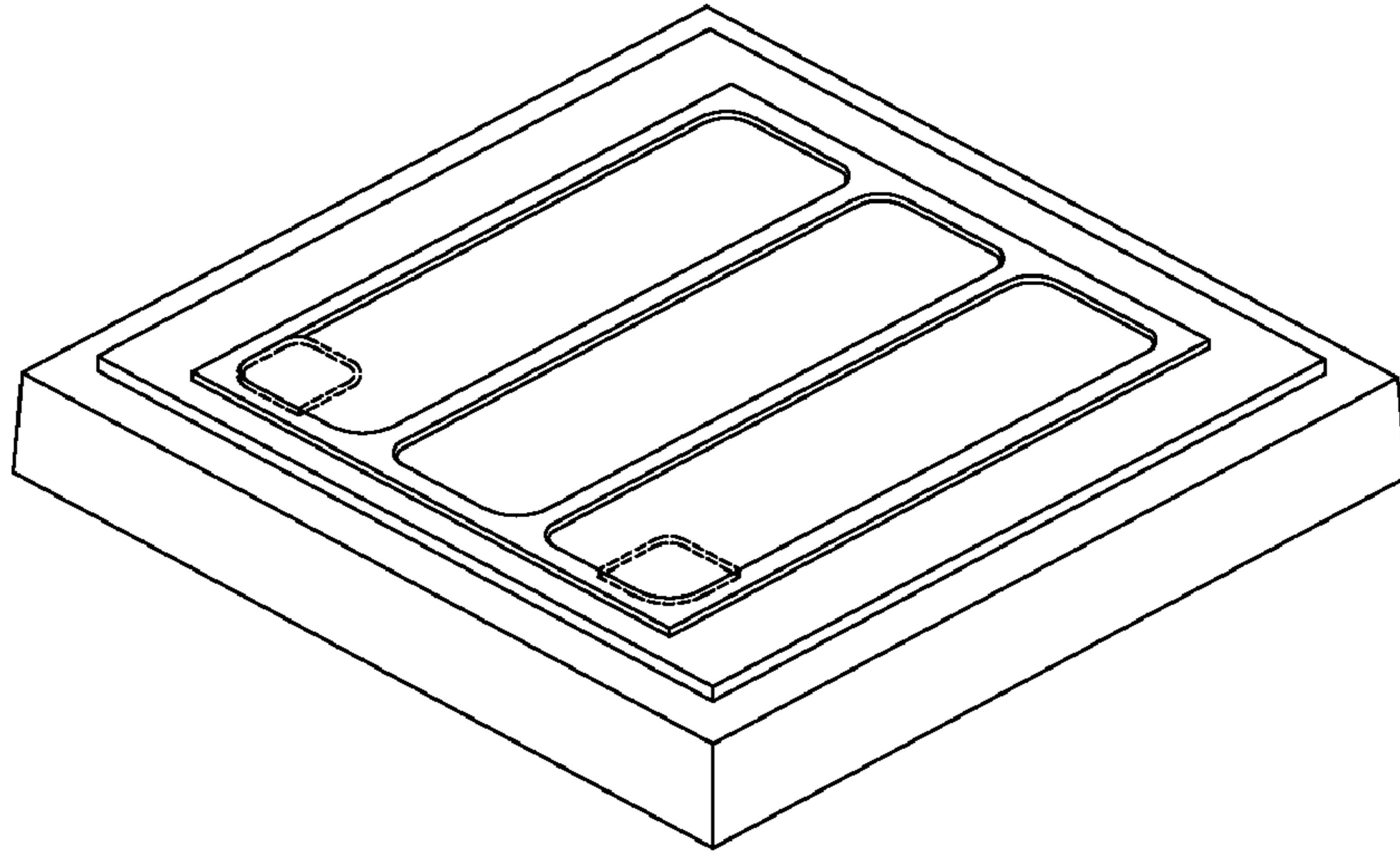


FIG. 1

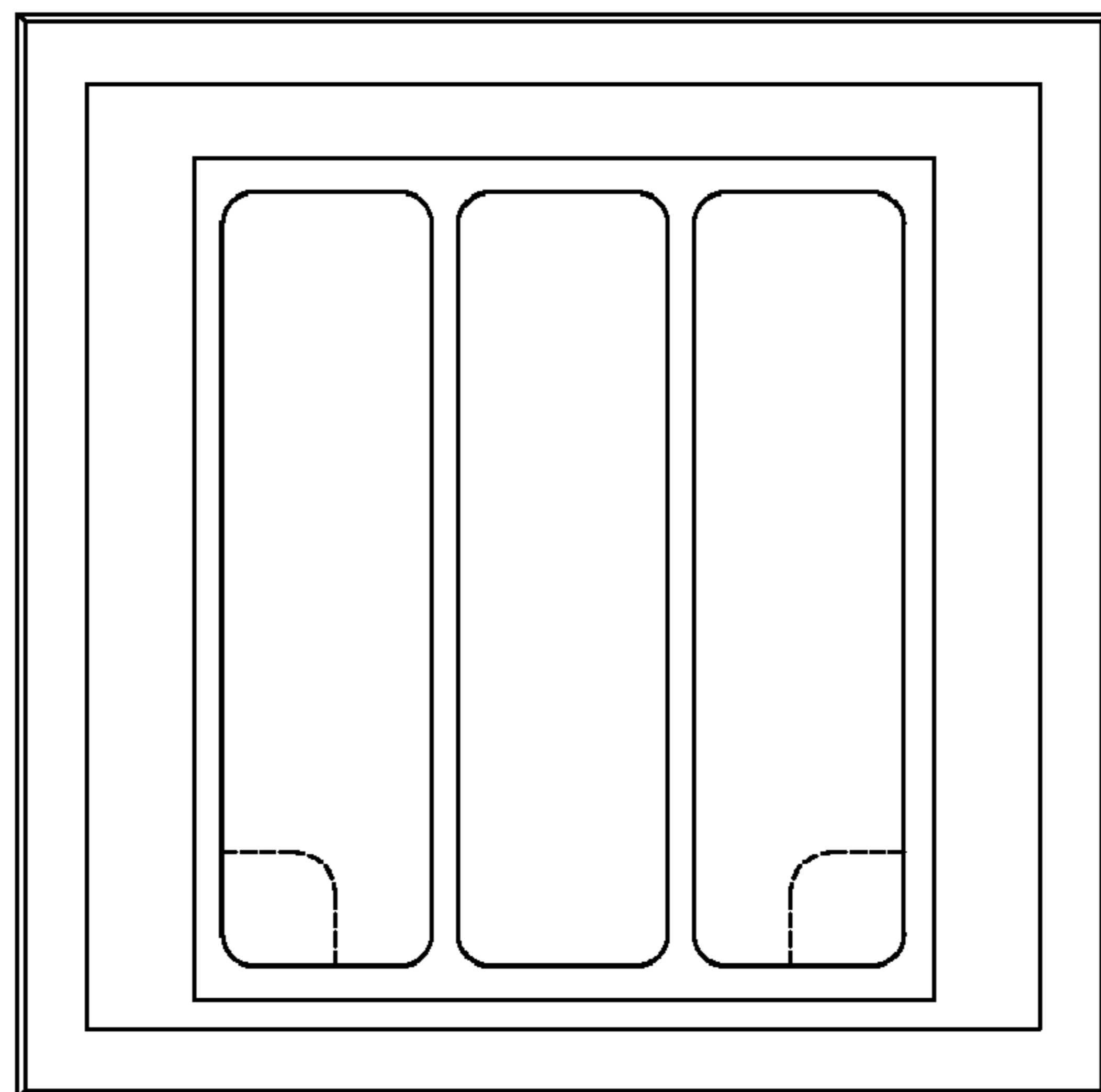


FIG. 2

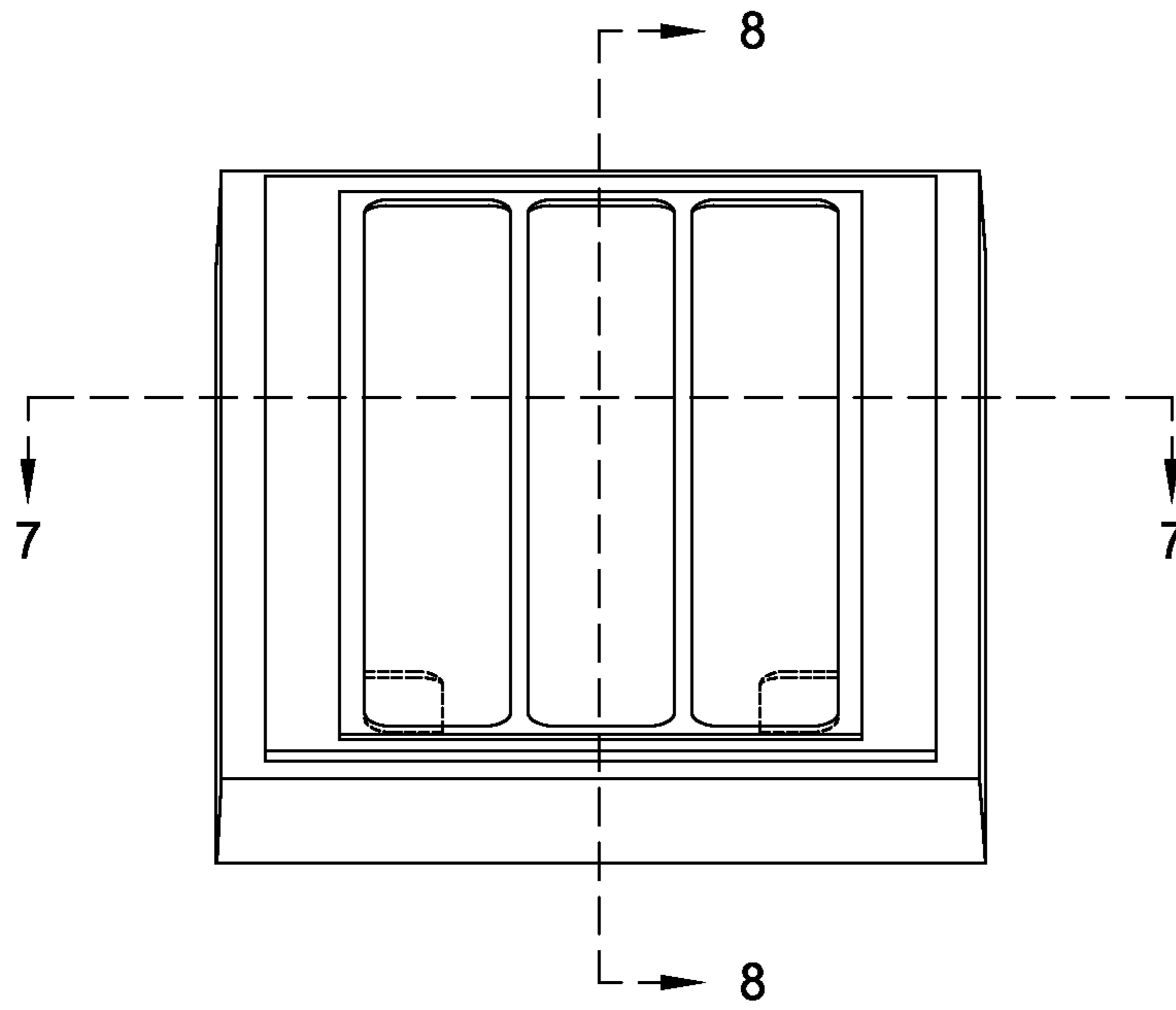


FIG. 3

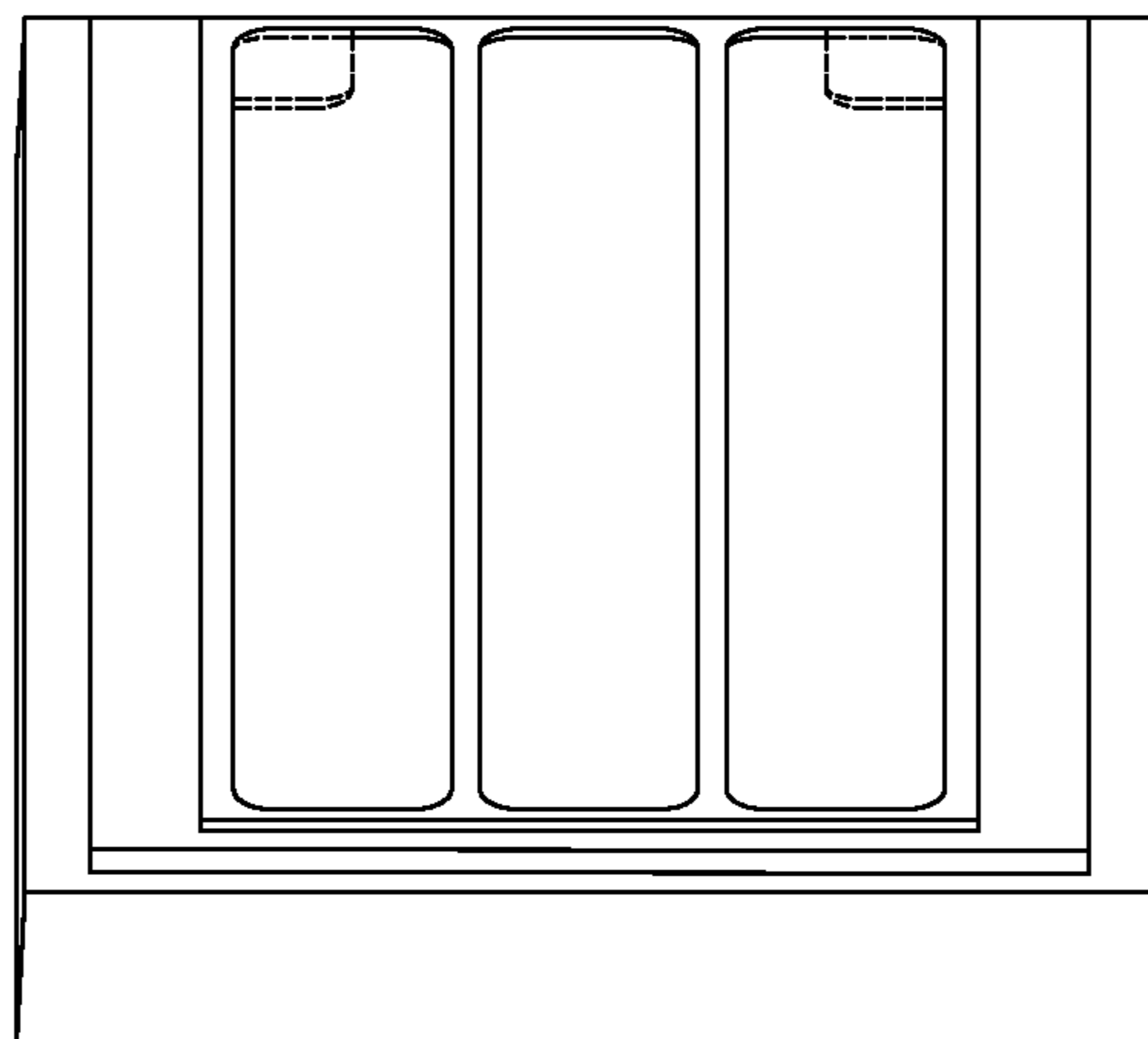


FIG. 4

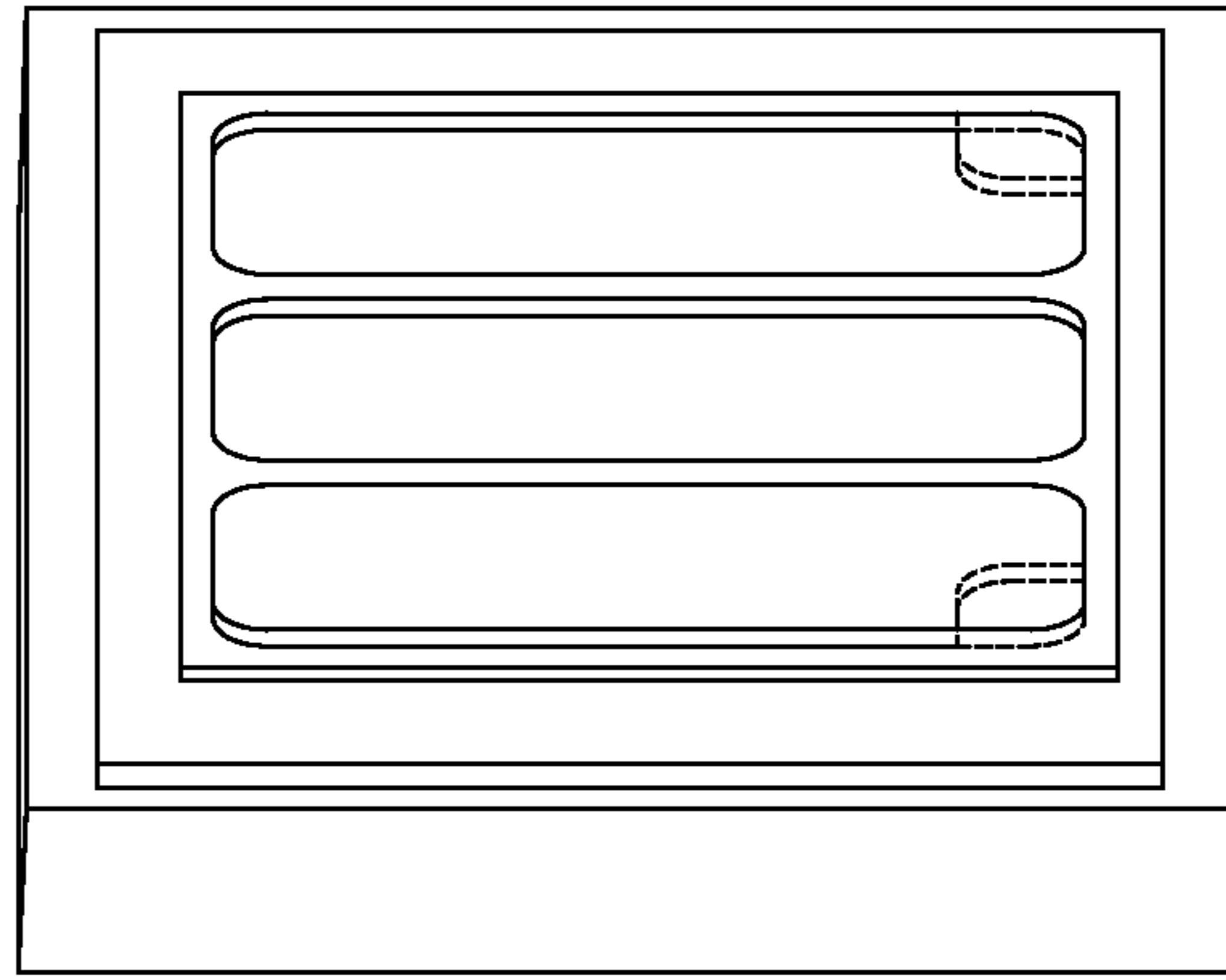


FIG. 5

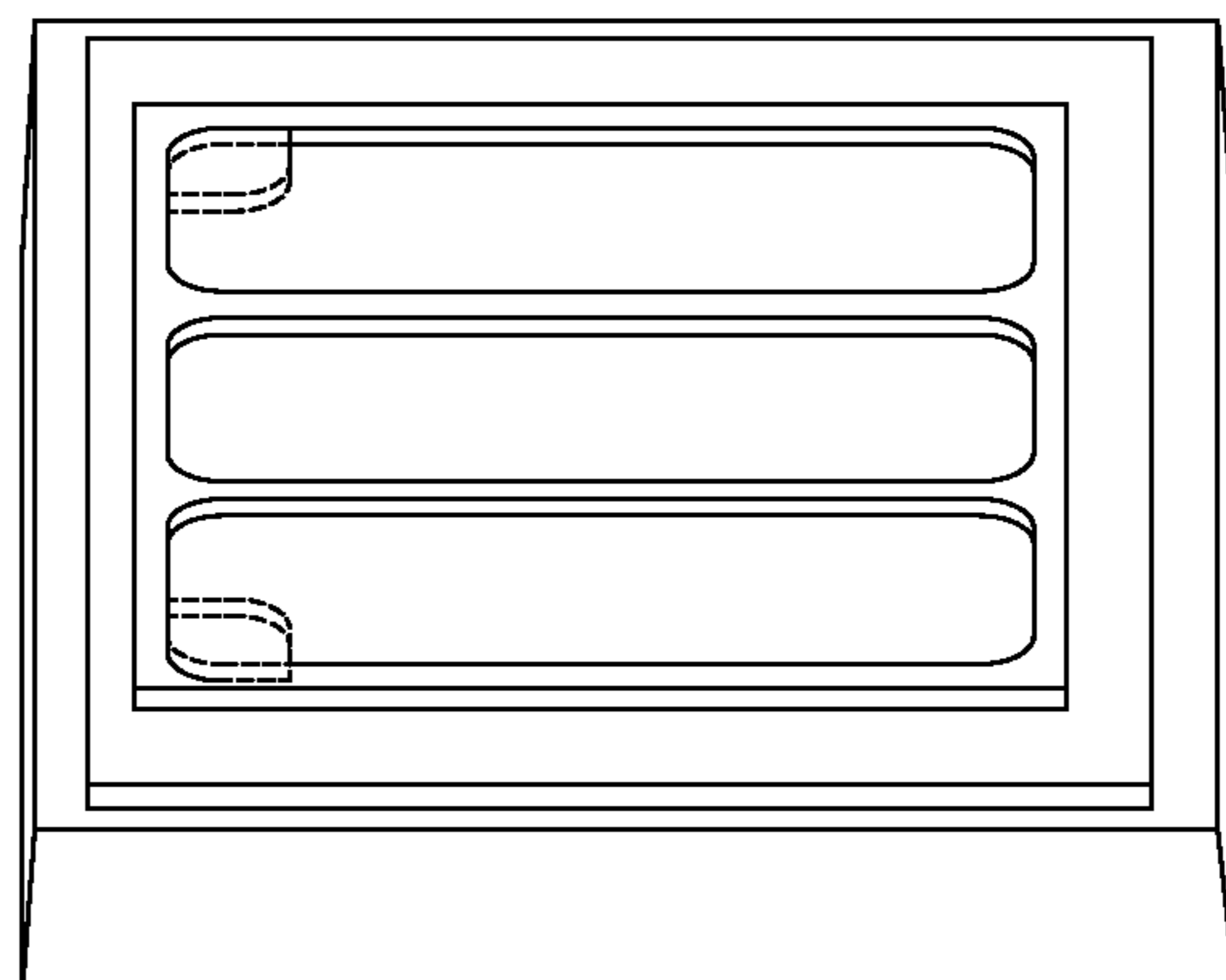


FIG. 6

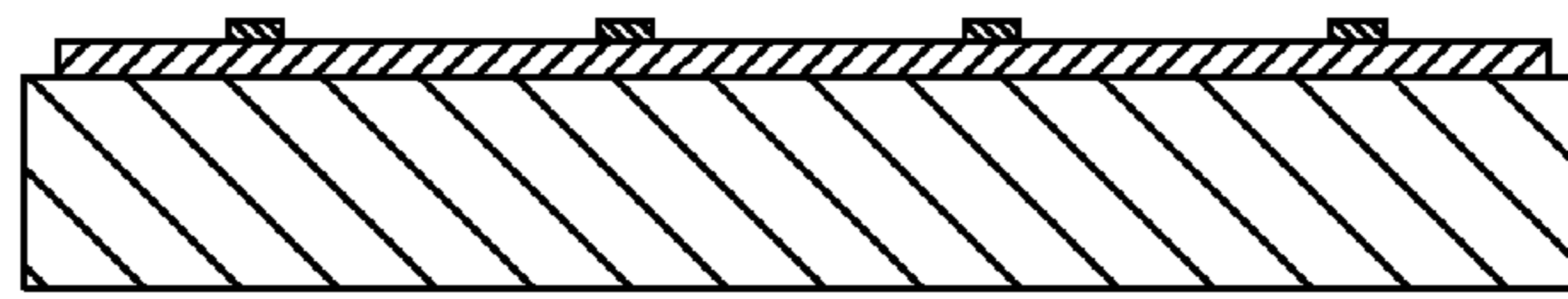


FIG. 7

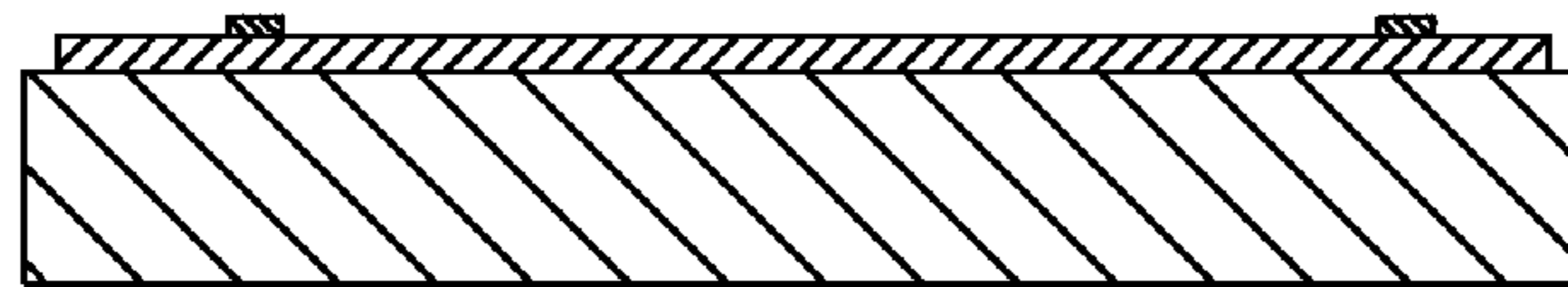


FIG. 8

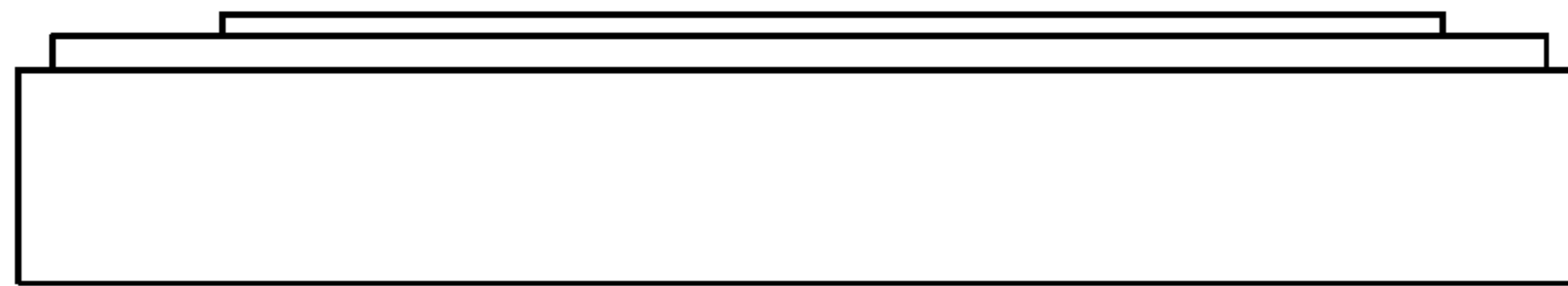


FIG. 9



FIG. 10