



US00D580886S

(12) **United States Design Patent**
Harman

(10) **Patent No.:** **US D580,886 S**
(45) **Date of Patent:** **** Nov. 18, 2008**

(54) **CONTROLLER FOR OPERATING A WILDLIFE FEEDER**

D428,391 S * 7/2000 Pazhman D13/168
D446,141 S * 8/2001 Shafiyani-Rad et al. D10/104
D546,291 S * 7/2007 Shapson D13/151

(76) Inventor: **Karl Harman**, 19823 Savoy Hill Cir., Cypress, TX (US) 77433

* cited by examiner

(**) Term: **14 Years**

Primary Examiner—Selina Sikder

(74) *Attorney, Agent, or Firm*—Christopher Wood; Wood & Eisenberg, PLLC

(21) Appl. No.: **29/282,775**

(22) Filed: **Jul. 27, 2007**

(57) **CLAIM**

(51) **LOC (8) Cl.** **13-03**

(52) **U.S. Cl.** **D13/168**

(58) **Field of Classification Search** D13/133, D13/151, 168; D10/104, 106; D14/218, D14/247; 340/825.22, 825.24, 825.25, 825.31, 340/825.36, 825.69, 825.72; 341/20, 22, 341/23, 34, 176; 345/156, 158, 169; 348/734; 455/92, 95, 100, 128, 151.1–151.4, 352–355; 463/39; 700/17, 19, 20, 65, 83
See application file for complete search history.

The ornamental design for a controller for operating a wild-life feeder, as shown and described.

DESCRIPTION

(56) **References Cited**

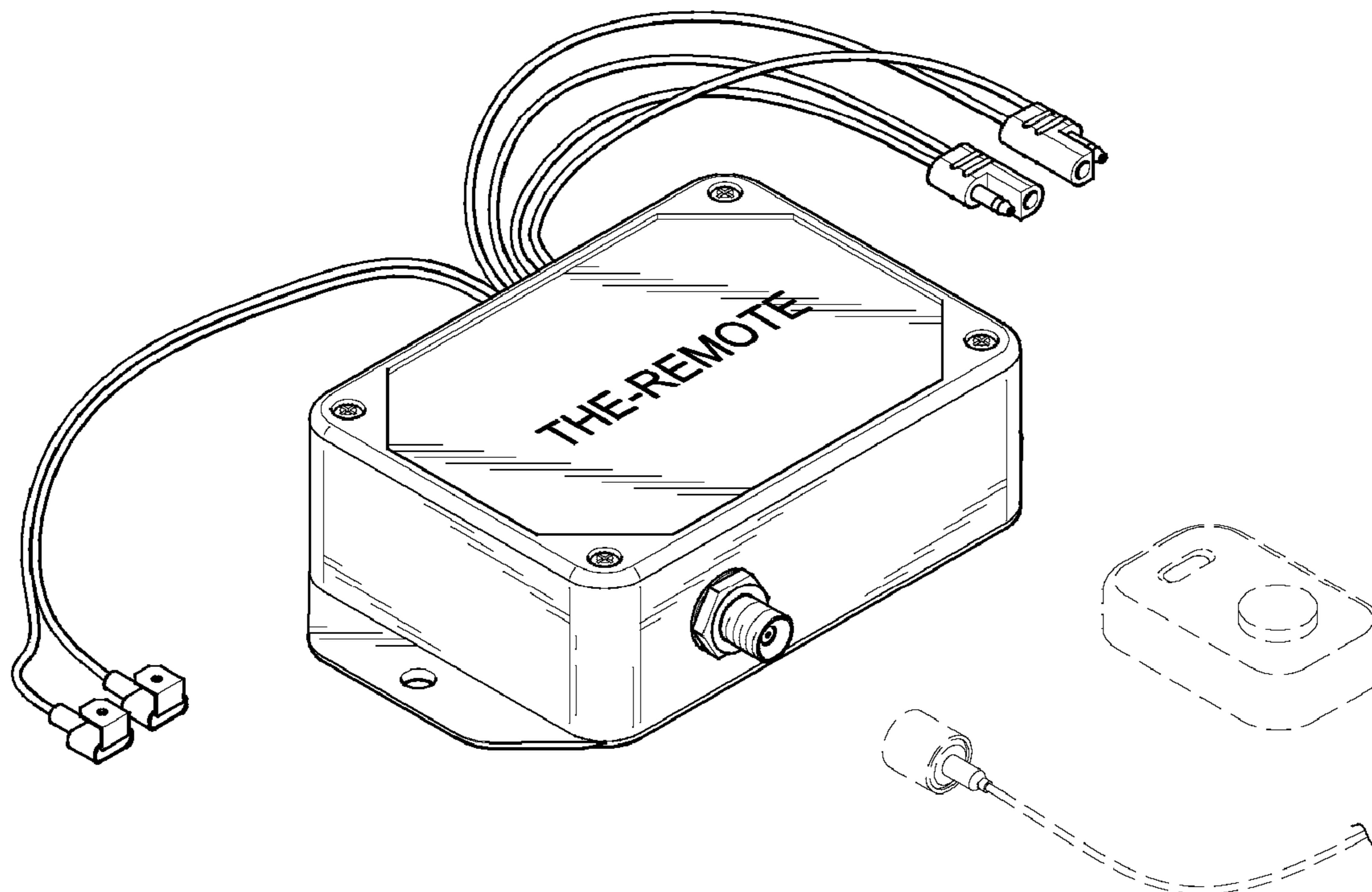
U.S. PATENT DOCUMENTS

D261,503 S * 10/1981 Shu D13/151
D339,996 S * 10/1993 Rattley D10/104
D358,152 S * 5/1995 Ito et al. D14/218
D374,833 S * 10/1996 Shines et al. D10/106
D391,182 S * 2/1998 Schneider et al. D10/104
D415,734 S * 10/1999 Pomales D13/168

FIG. 1 is a front perspective view of a controller showing my new design;
FIG. 2 is a rear perspective view thereof;
FIG. 3 is a front view thereof;
FIG. 4 is a rear view thereof;
FIG. 5 is a left side view thereof;
FIG. 6 is a right side view thereof;
FIG. 7 is a top view thereof shown in use;
FIG. 8 is a top view thereof; and,
FIG. 9 is a bottom view thereof.

The broken lines shown in FIGS. 1 and 7 are for illustrative purposes only and form no part of the claimed design.

1 Claim, 9 Drawing Sheets



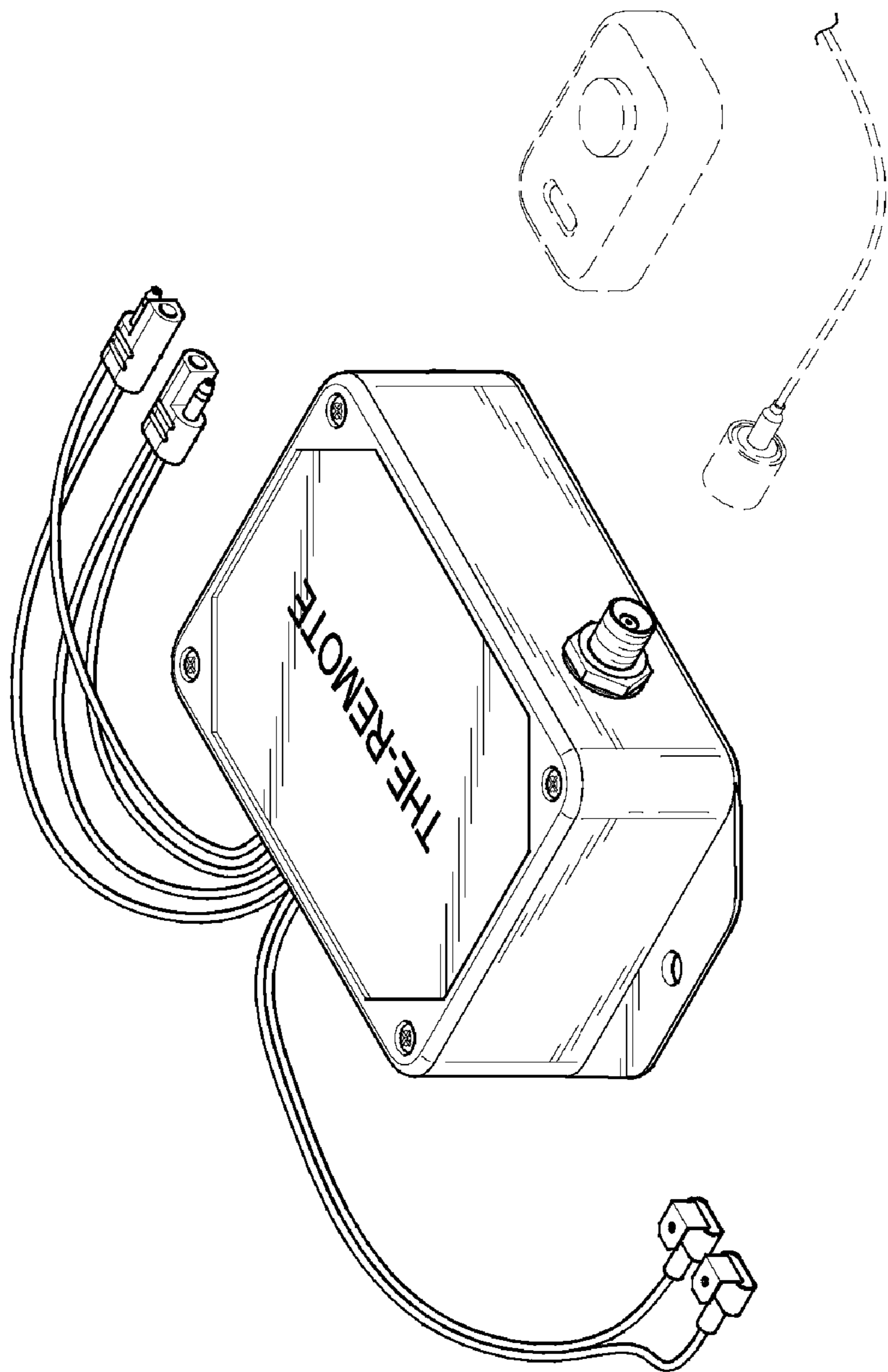


Fig. 1

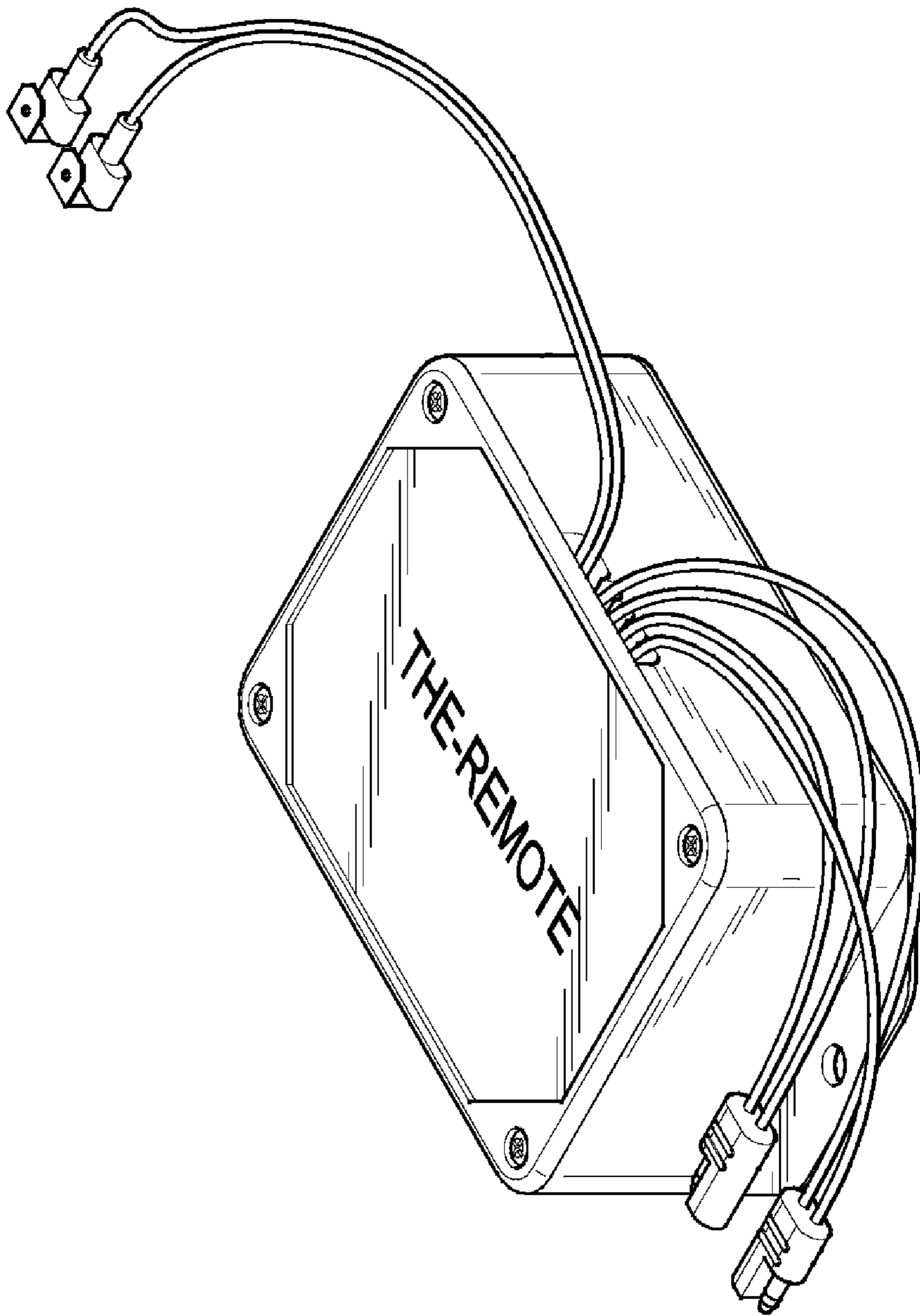


Fig. 2

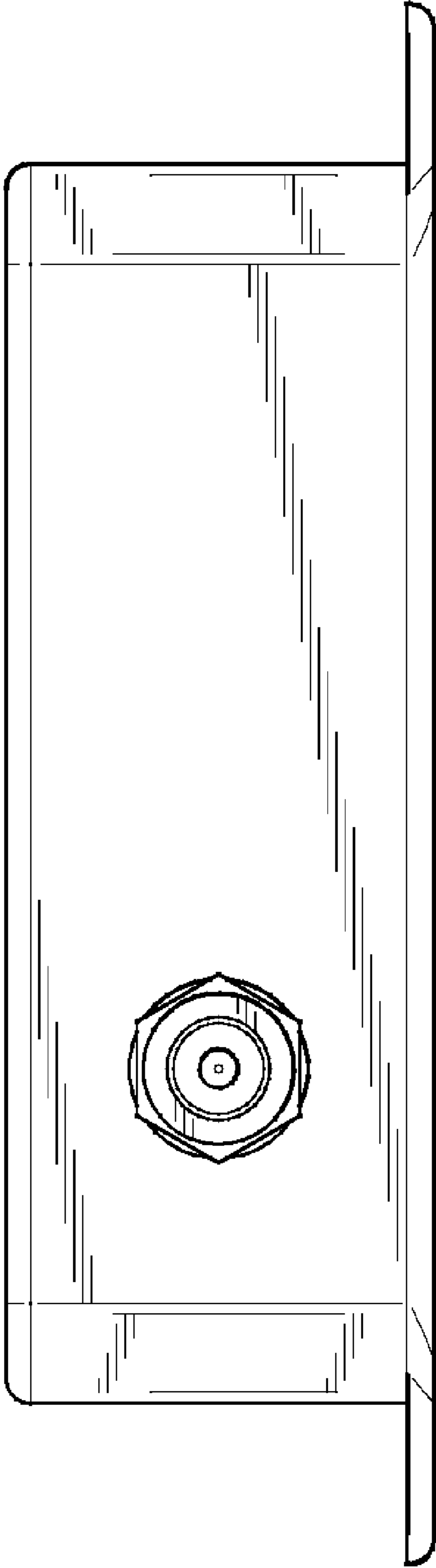


Fig. 3

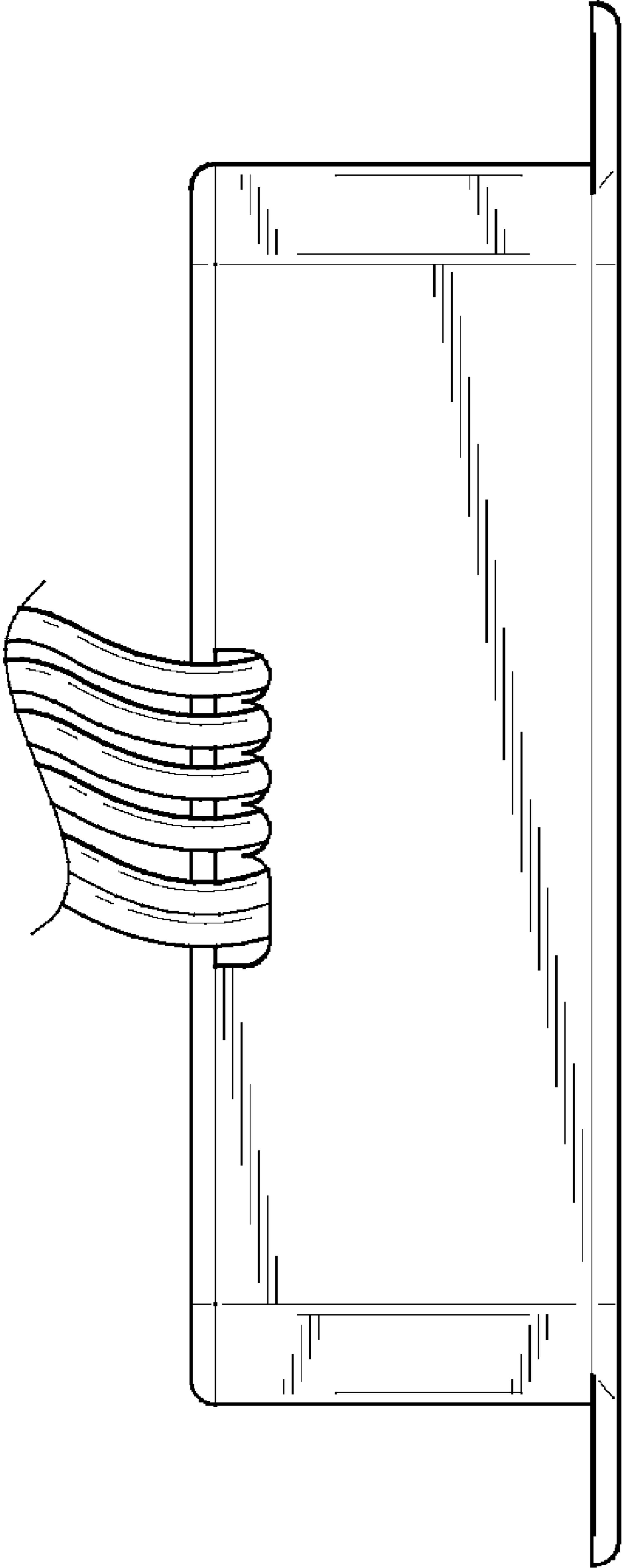


Fig. 4

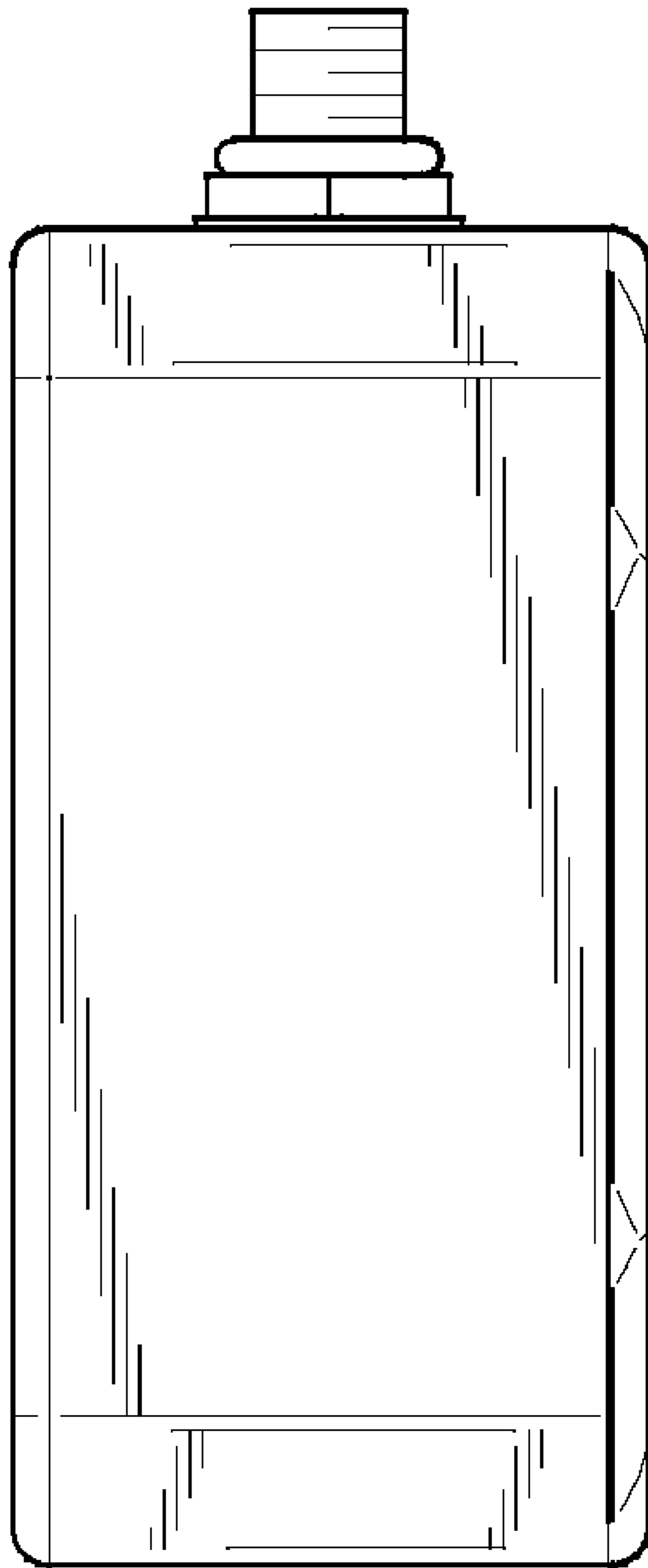


Fig. 5

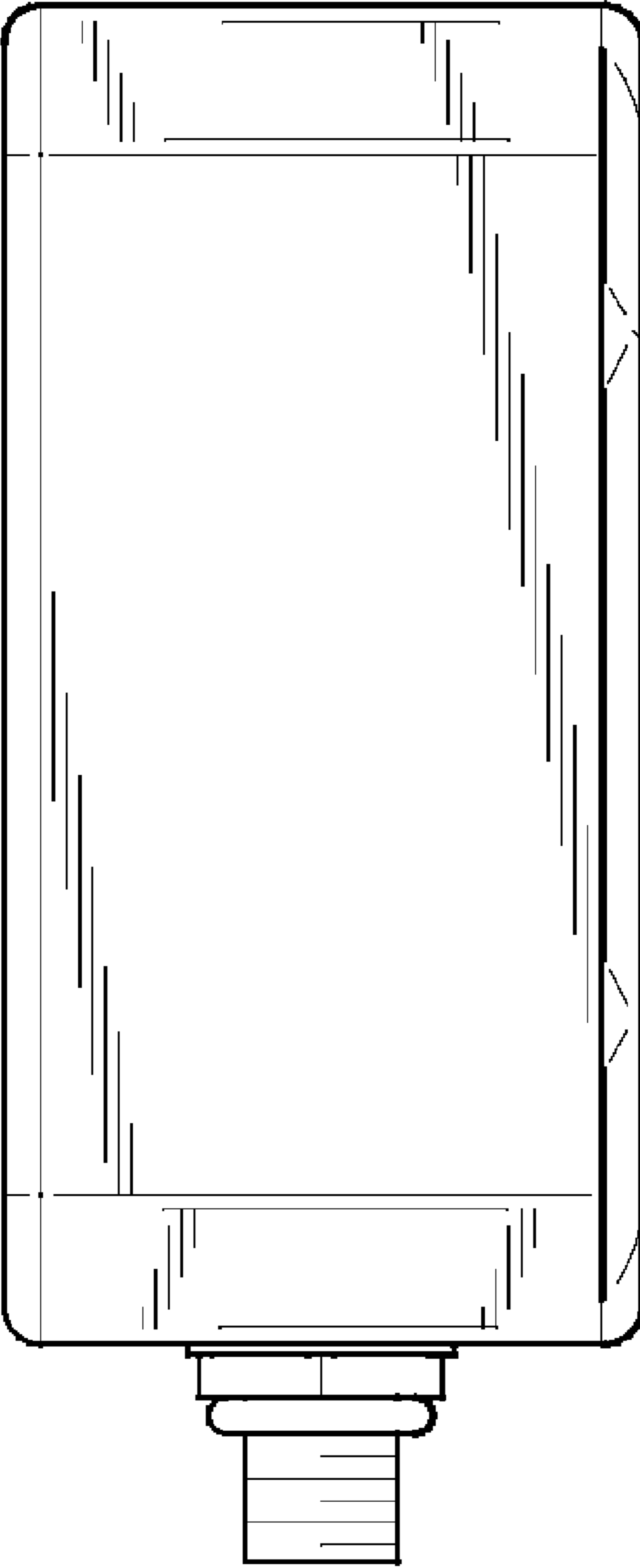


Fig. 6

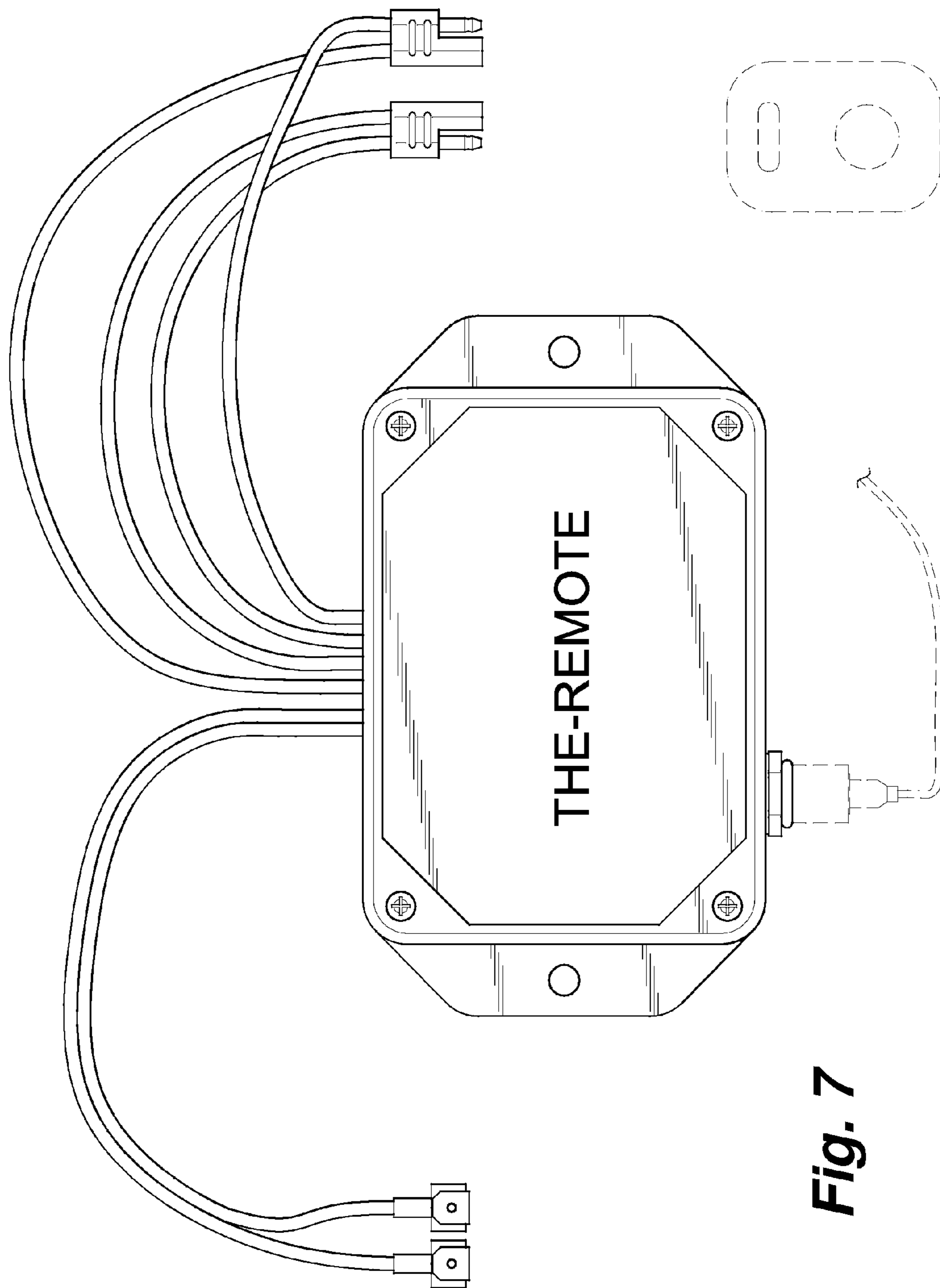


Fig. 7

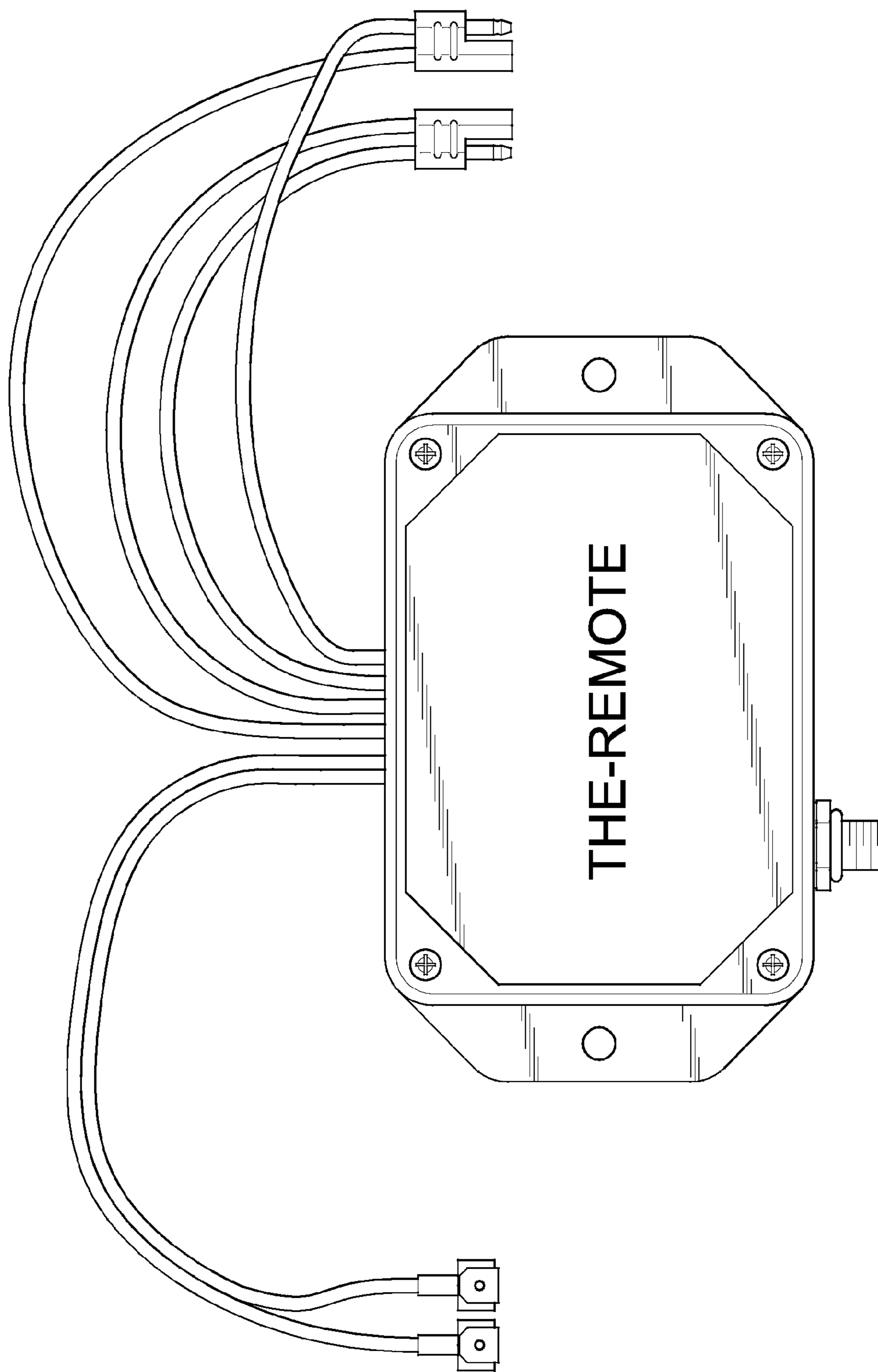


Fig. 8

Fig. 9

