



US00D580885S

(12) **United States Design Patent**
Detering

(10) **Patent No.:** **US D580,885 S**
(45) **Date of Patent:** **** Nov. 18, 2008**

- (54) **CONNECTOR MODULE FOR AN OPTOELECTRONIC SENSOR**
- (75) Inventor: **Frank Detering**, Stuttgart (DE)
- (73) Assignee: **Sick AG**, Waldkirch (DE)
- (**) Term: **14 Years**
- (21) Appl. No.: **29/286,544**
- (22) Filed: **May 9, 2007**

Related U.S. Application Data

- (62) Division of application No. 29/207,321, filed on Jun. 10, 2004, now Pat. No. Des. 557,219.

Foreign Application Priority Data

Dec. 10, 2003 (EP) 000116879

- (51) **LOC (8) Cl.** **13-03**
 - (52) **U.S. Cl.** **D13/165**
 - (58) **Field of Classification Search** D13/165,
D13/147; 250/216, 221; 385/39, 55, 88;
435/7.2
- See application file for complete search history.

References Cited

U.S. PATENT DOCUMENTS

- 4,207,463 A 6/1980 Iyeta
- 5,003,169 A 3/1991 Sakaguchi et al.
- 5,394,070 A 2/1995 Jacobsen et al.

- 6,140,633 A 10/2000 Iwasaki et al.
- 6,755,576 B2 6/2004 Brezina et al.
- 6,774,352 B2 8/2004 Koyama et al.
- 6,908,234 B2 6/2005 Kocher et al.
- D557,219 S * 12/2007 Detering D13/165
- 2004/0159778 A1 8/2004 Sakaguchi
- 2004/0179791 A1 9/2004 Robert et al.
- 2005/0109919 A1 5/2005 Osako et al.
- 2006/0065818 A1 3/2006 Shimokawa et al.

* cited by examiner

Primary Examiner—Selina Sikder

(74) *Attorney, Agent, or Firm*—Townsend and Townsend and Crew, LLP

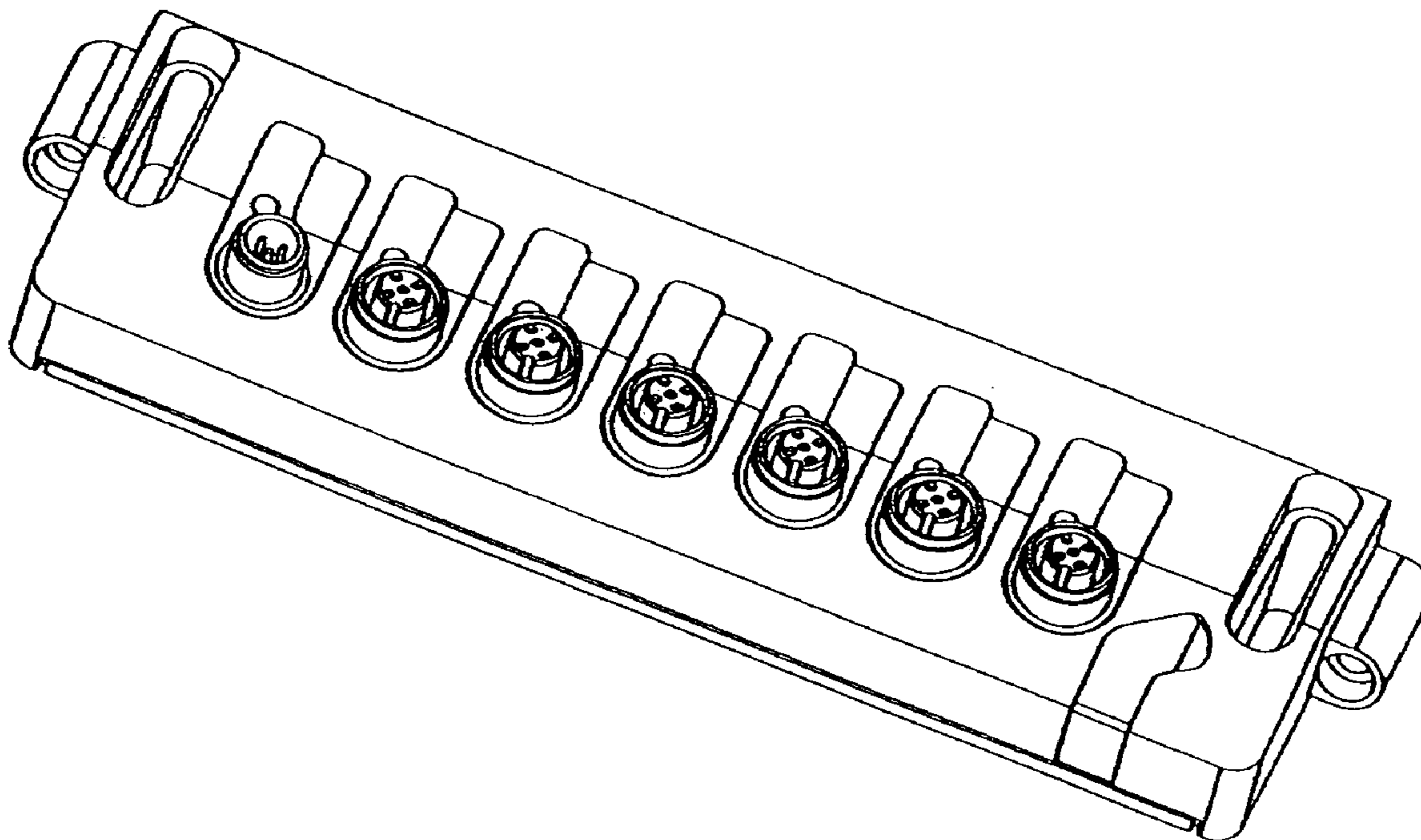
(57) **CLAIM**

The ornamental design for a connector module for an optoelectronic sensor, as shown.

DESCRIPTION

FIG. 1 is perspective view of the connector module for an optoelectronic sensor showing my new design;
 FIG. 2 is a top plan view thereof;
 FIG. 3 is a left side elevation view thereof;
 FIG. 4 is a right side elevation view thereof;
 FIG. 5 is a rear elevation view thereof;
 FIG. 6 is a rear elevation view thereof; and,
 FIG. 7 is a bottom plan view thereof.

1 Claim, 7 Drawing Sheets



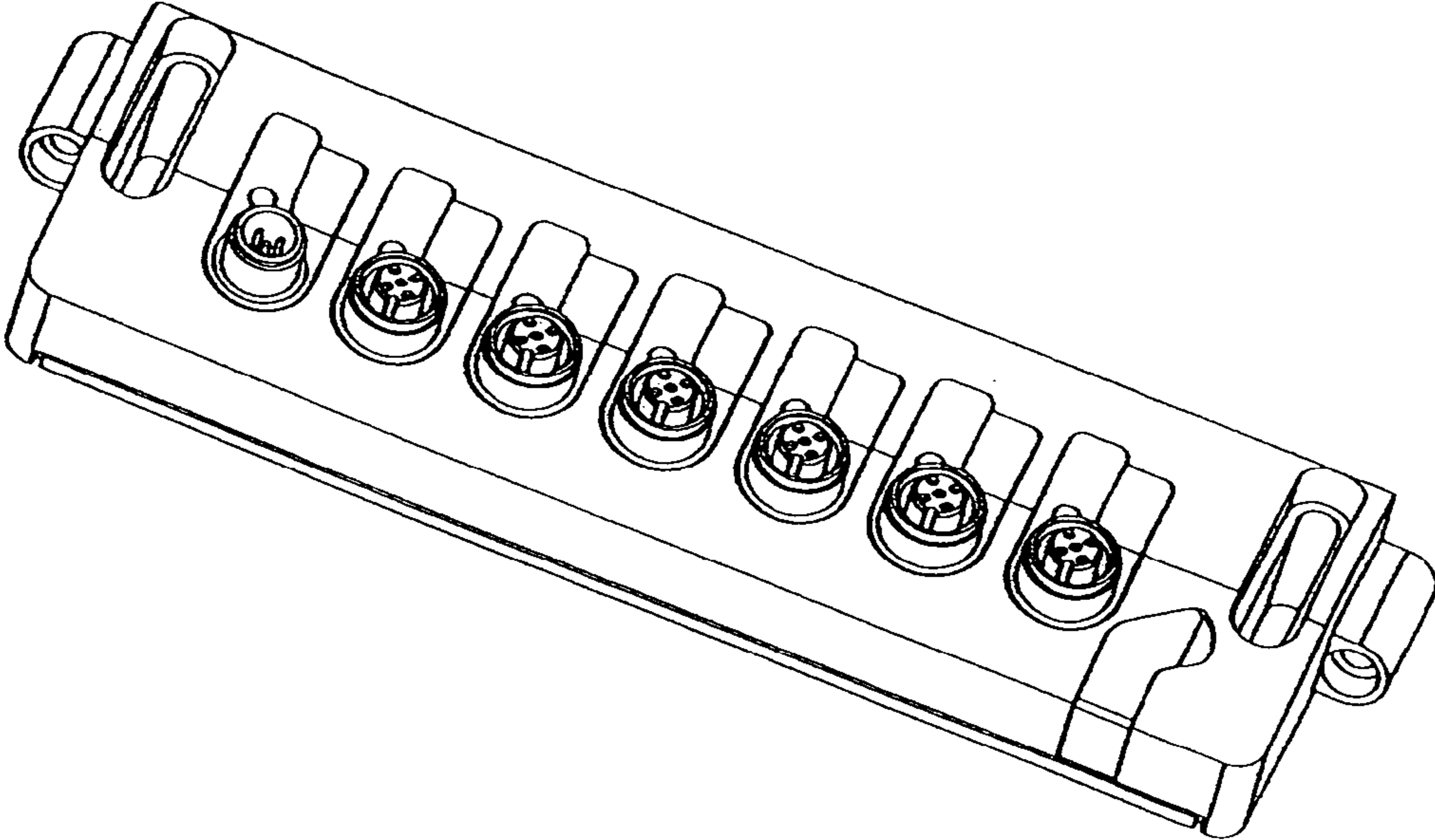


Fig. 1

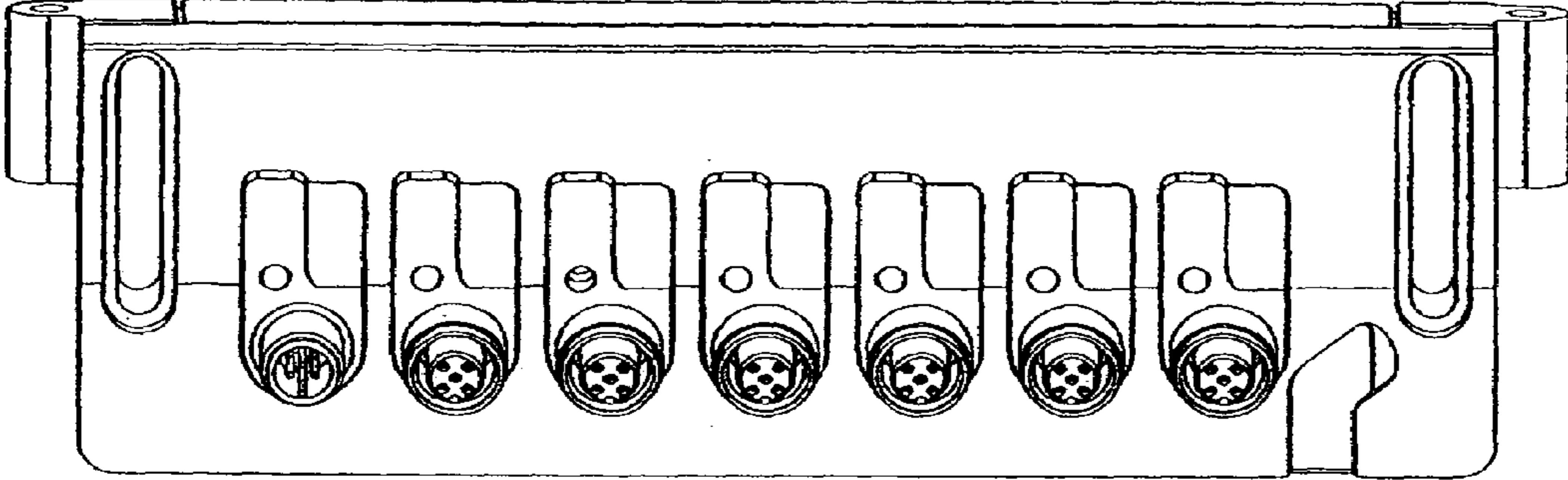


Fig. 2

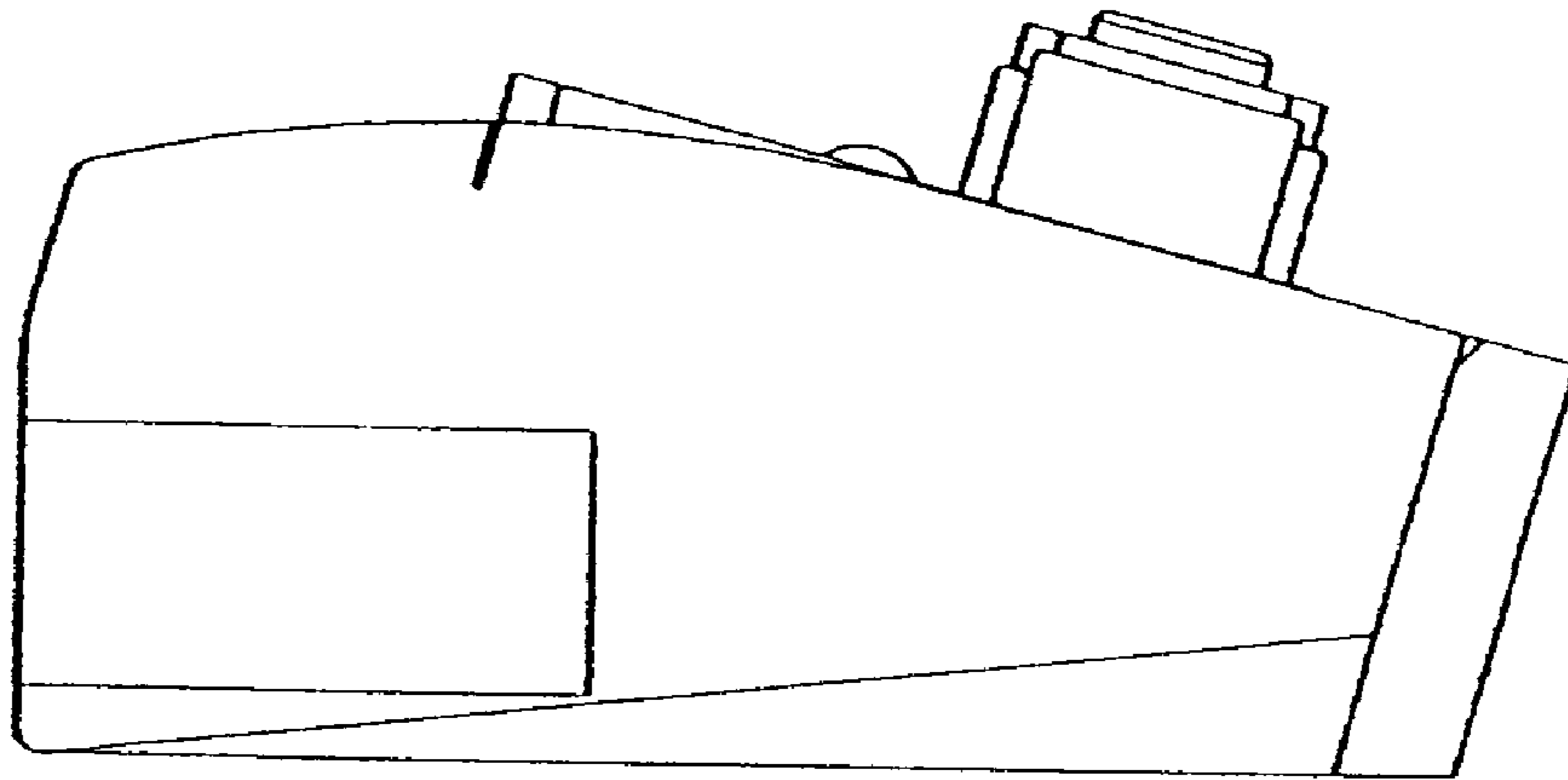


Fig. 3

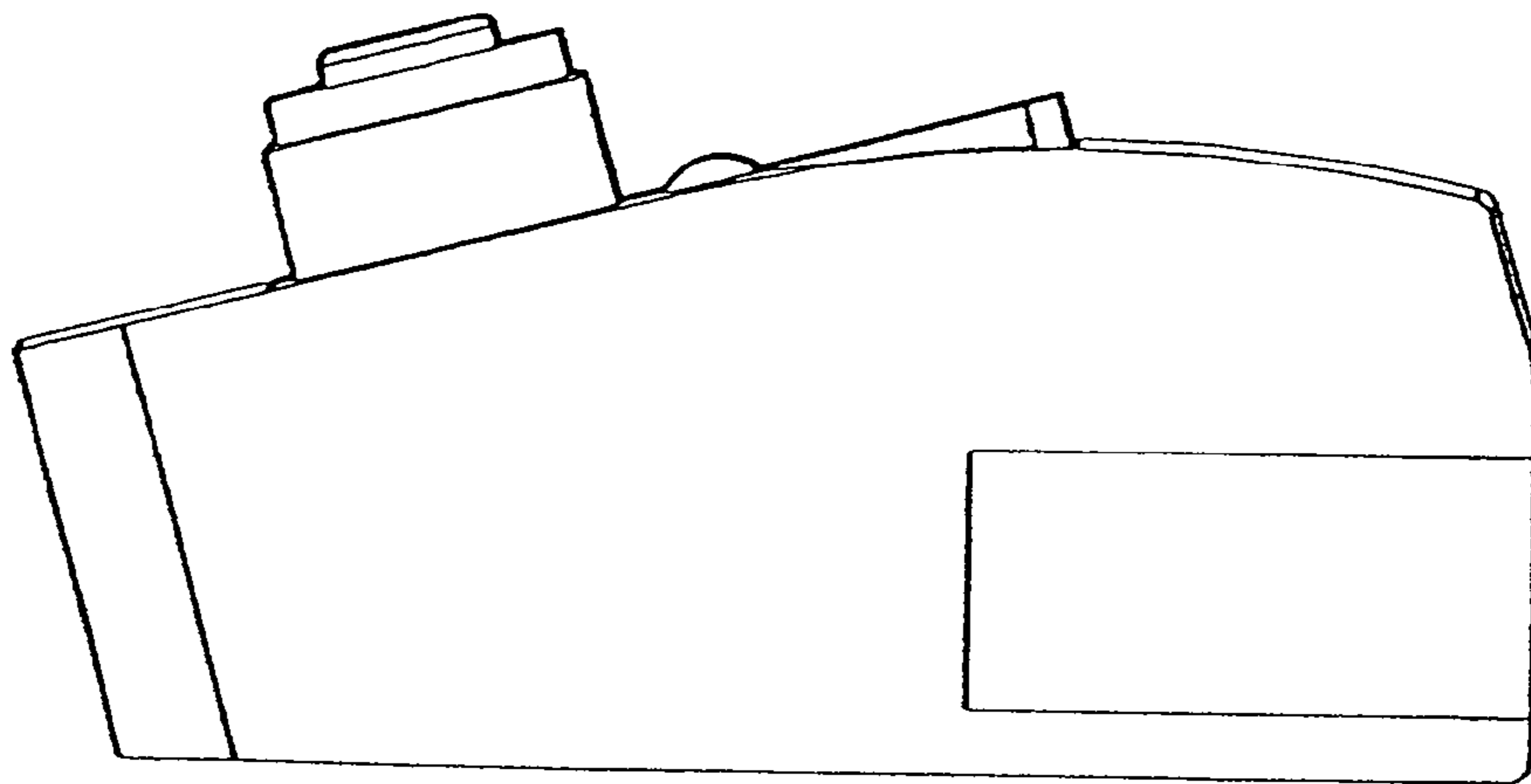


Fig. 4

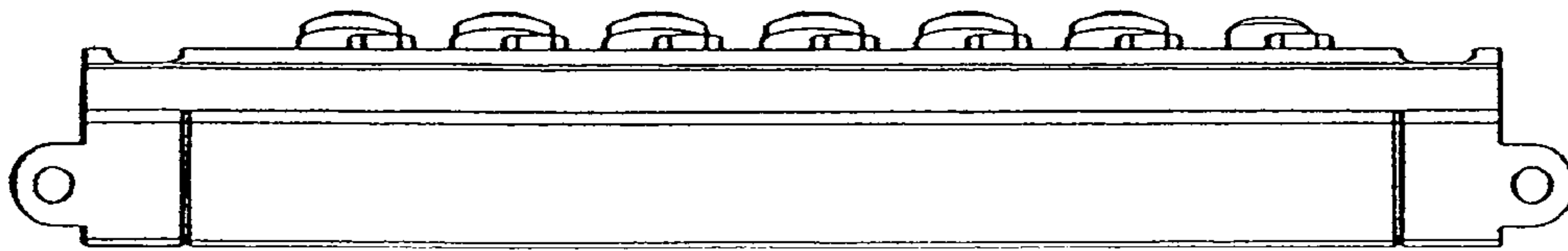


Fig. 5

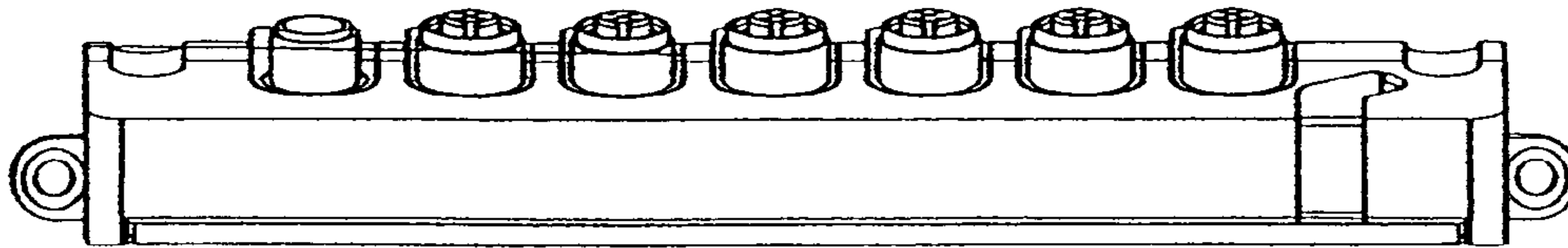


Fig. 6

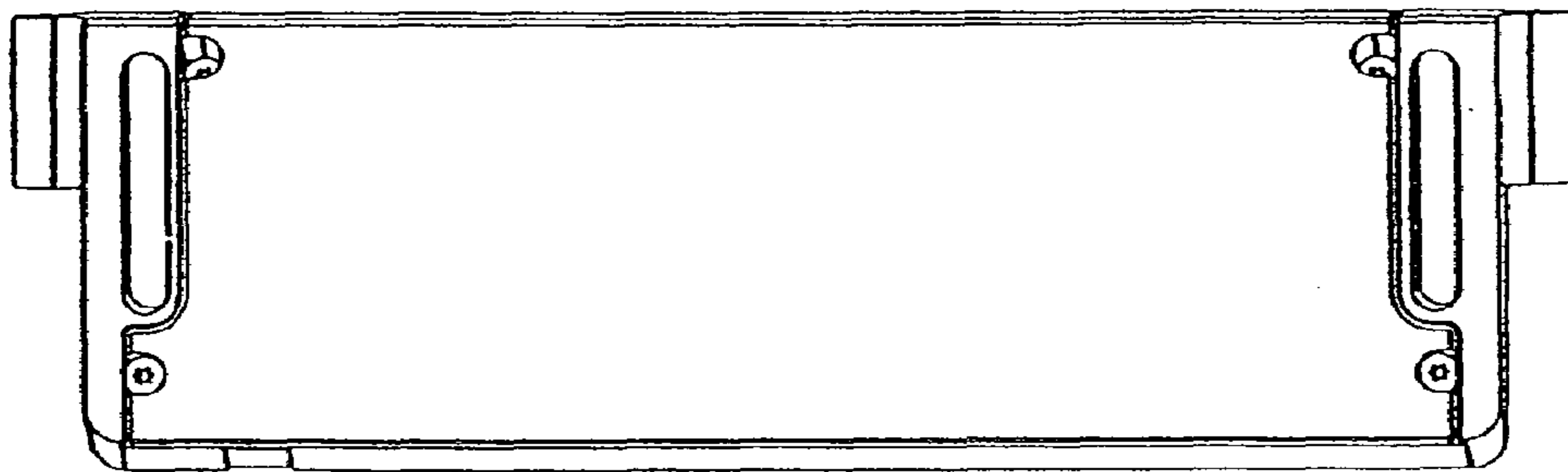


Fig. 7